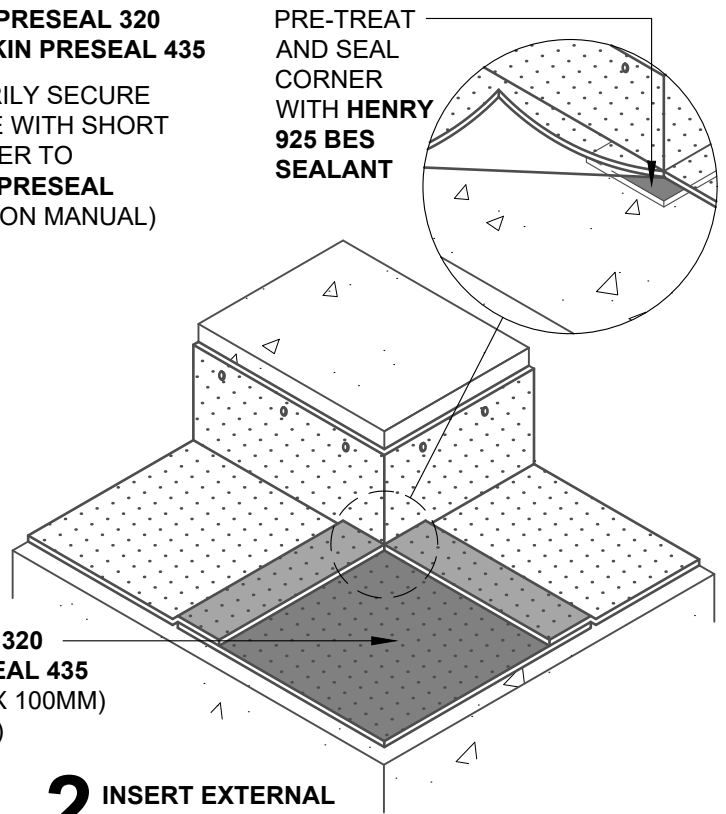
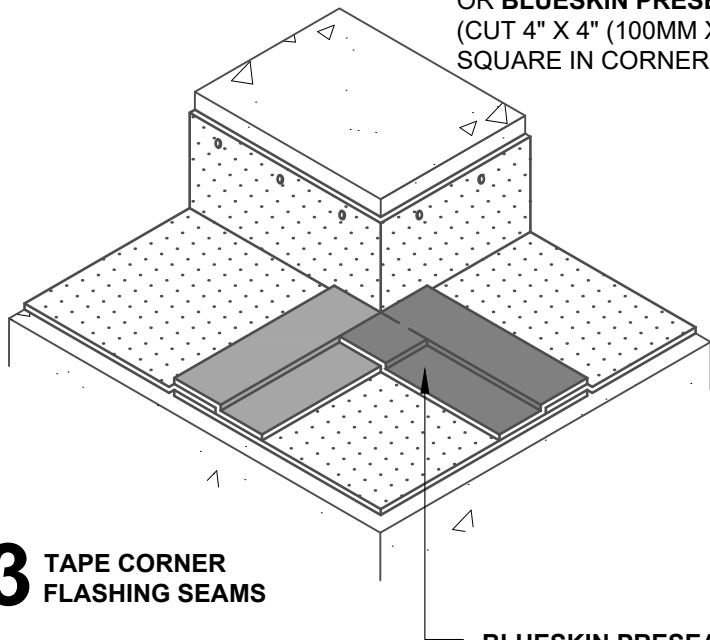


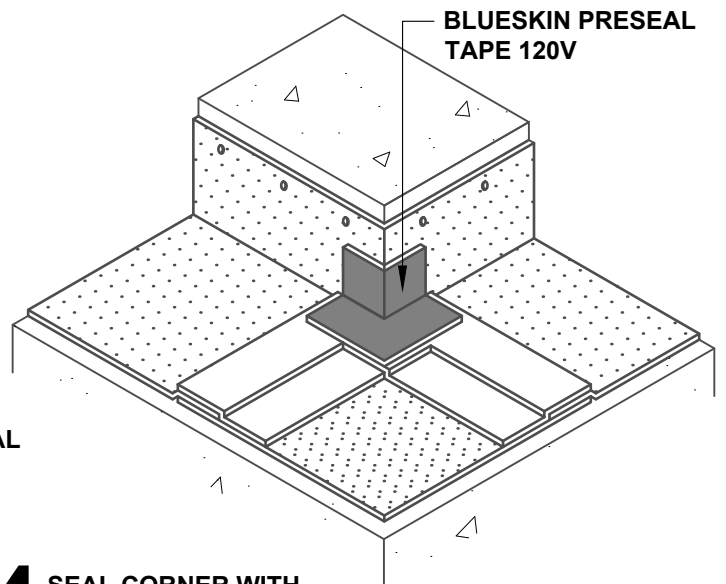
1 TEMPORARILY SECURE CORNER FLASHING



2 INSERT EXTERNAL CORNER FLASHING



3 TAPE CORNER FLASHING SEAMS



4 SEAL CORNER WITH BLUESKIN PRESEAL TAPE 120V

NOTES:

1. DETAIL SHOWS HENRY PRE-APPLIED WATERPROOFING SYSTEM FOR APPLICATIONS USING HENRY **BLUESKIN PRESEAL 320** OR **BLUESKIN PRESEAL 435**. SUBSTRATE SHOWN IS FOR REFERENCE ONLY.
2. REFER TO PRODUCT SPECIFIC TECHNICAL DATA SHEET (TDS) AND GUIDE SPECIFICATION FOR INSTALLATION PROCEDURES.

MANUFACTURER GUIDE DETAILS ARE FOR REFERENCE ONLY. HENRY DOES NOT ASSUME RESPONSIBILITY FOR ERRORS OR DEVIATIONS IN DESIGN OR ENGINEERING. PROJECT SPECIFIC VERIFICATION IS RECOMMENDED PRIOR TO INSTALLATION.

HENRY PRE-APPLIED WATERPROOFING SYSTEM

OUTSIDE CORNERS

**BLUESKIN PRESEAL 320 OR BLUESKIN PRESEAL 435
OUTSIDE CORNERS**

SCALE: N.T.S.

09-14-2022

BSPS-3E

