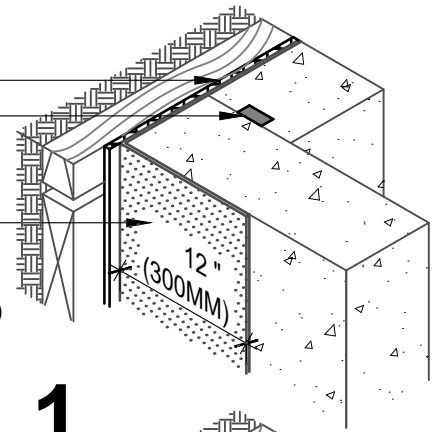


HENRY DRAINAGE COMPOSITE
SYNKO-FLEX WATERSTOP,
MIRASTOP BW, OR MIRASTOP NBW
 (SEE NOTE #2)

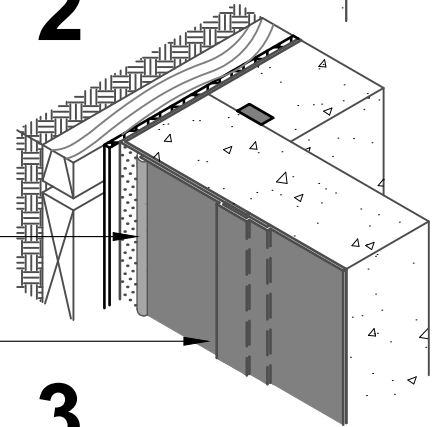
BLUESKIN PRESEAL 320
 OR **BLUESKIN PRESEAL 435**
 (EXTEND 12" (300MM) ONTO FORM
 WORK PRIOR TO CONCRETE POUR)



1

BLUESKIN PRESEAL TAPE 120V EXTEND 2" (50MM) EACH SIDE (TAPE NOT REQUIRED WHERE PRE-APPLIED WATERPROOFING IS FULLY BONDED TO CONCRETE)

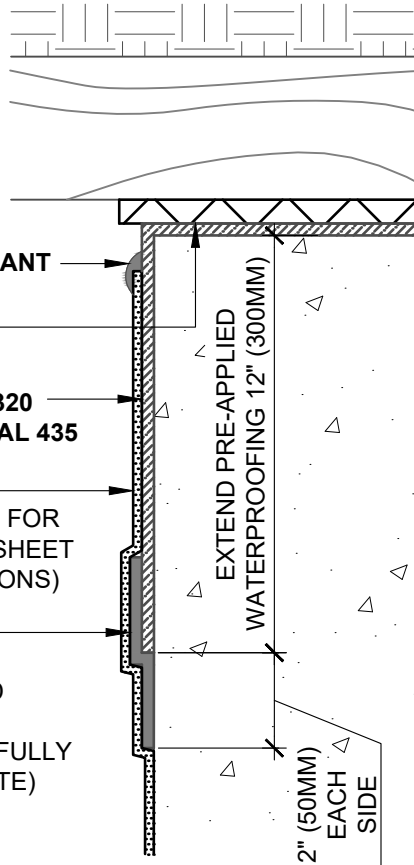
2



3

HENRY 925 BES SEALANT

BLUESKIN WP200



HENRY 925 BES SEALANT

HENRY DRAINAGE COMPOSITE

BLUESKIN PRESEAL 320
 OR **BLUESKIN PRESEAL 435**

BLUESKIN WP200
 (PRIMER NOT SHOWN FOR CLARITY - SEE DATA SHEET FOR RECOMMENDATIONS)

BLUESKIN PRESEAL TAPE 120V
 (TAPE NOT REQUIRED WHERE PRE-APPLIED WATERPROOFING IS FULLY BONDED TO CONCRETE)

EXTEND PRE-APPLIED WATERPROOFING 12" (300MM)

2" (50MM) EACH SIDE

PLAN VIEW

TRANSITION AT GRADE CHANGE

ISOMETRIC

TRANSITION AT GRADE CHANGE

NOTES:

1. DETAIL SHOWS HENRY PRE-APPLIED WATERPROOFING SYSTEM FOR APPLICATIONS USING HENRY **BLUESKIN PRESEAL 320** OR **BLUESKIN PRESEAL 435**. SUBSTRATE SHOWN IS FOR REFERENCE ONLY.
2. HENRY **BLUESKIN PRESEAL 435** CAN BE INSTALLED DIRECTLY ONTO SHEET PILING. **BLUESKIN PRESEAL 320** REQUIRES A SMOOTH SURFACE SUCH AS PLYWOOD OR DRAINBOARD.
3. APPLICATIONS USING SWELLABLE WATERSTOPS: 3" (75MM) MINIMUM CONCRETE COVERAGE ON ALL SIDES.
4. HENRY RECOMMENDS THE USE OF A DRAINBOARD IN NON-HYDROSTATIC CONDITIONS, OR AS A SUBSTRATE PREPARATION.
5. REFER TO PRODUCT SPECIFIC TECHNICAL DATA SHEET (TDS) AND GUIDE SPECIFICATION FOR INSTALLATION PROCEDURES.



MANUFACTURER GUIDE DETAILS ARE FOR REFERENCE ONLY. HENRY DOES NOT ASSUME RESPONSIBILITY FOR ERRORS OR DEVIATIONS IN DESIGN OR ENGINEERING. PROJECT SPECIFIC VERIFICATION IS RECOMMENDED PRIOR TO INSTALLATION.

HENRY PRE-APPLIED WATERPROOFING SYSTEM

POST-APPLIED TRANSITION

BLUESKIN PRESEAL 320 OR BLUESKIN PRESEAL 435
TRANSITION WITH BLUESKIN WP200 - VERTICAL WALL

SCALE: N.T.S.

09-14-2022

BSPS-10B1