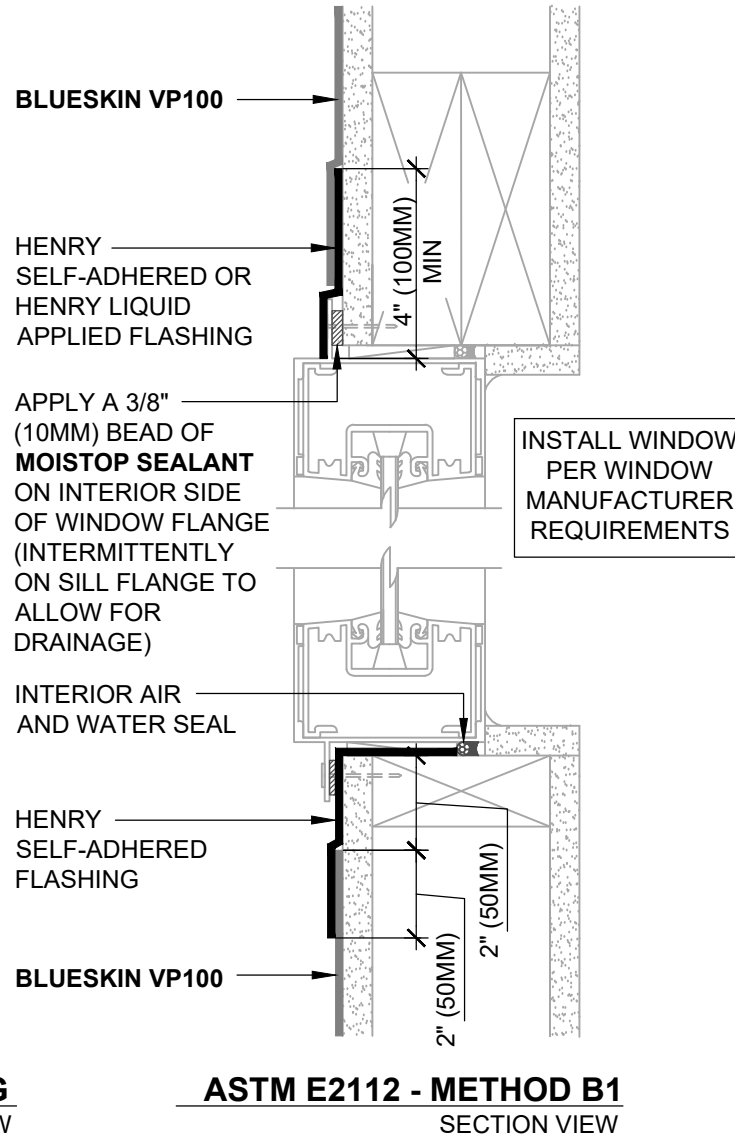
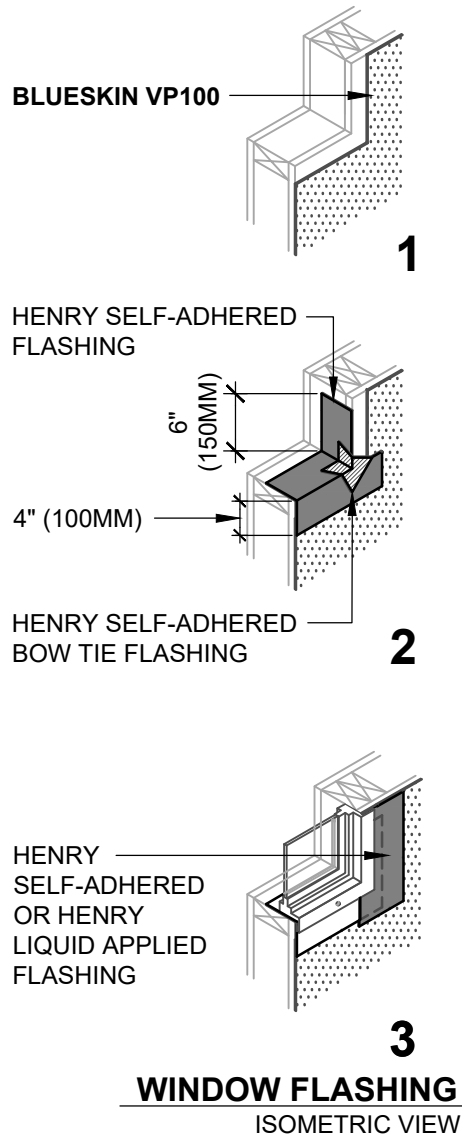


THE DEPICTED DETAIL SHOWS ONE OF THE SEVERAL COMMONLY ACCEPTED METHODS OF WINDOW INSTALLATION.



**HENRY 1-2-3 MOISTURE CONTROL SYSTEM
WEATHER-RESISTIVE BARRIER (WRB)
INSTALLATION GUIDELINES**



NOTES

1. VISIT WWW.HENRY.COM/WARRANTY FOR ELIGIBILITY REQUIREMENTS OF THE 15-YEAR RESIDENTIAL AND LIGHT COMMERCIAL HENRY 1-2-3 MOISTURE CONTROL SYSTEM WARRANTY.
2. HENRY OFFERS **BLUESKIN VP100** IN THE UNITED STATES AND CANADA. PRODUCT AVAILABILITY AND WARRANTY OPTIONS MAY VARY BY LOCATION. REFER TO THE HENRY **BLUESKIN VP100** GUIDE SPECIFICATION FOR RECOMMENDED FLASHINGS, SEALANTS, AND SYSTEM INFORMATION.
3. INSTALLATION "METHOD B1" REFERS TO COMMON WINDOWS (SURFACE MOUNTED). INSTALL WINDOW PER WINDOW MANUFACTURER REQUIREMENTS.
4. PROVIDE INTERIOR AIR AND WATER SEAL AT WINDOW PERIMETER PER WINDOW MANUFACTURER RECOMMENDATIONS.
5. SEE PRODUCT SPECIFIC TECHNICAL DATA SHEET FOR ROLL SIZES, MAXIMUM UV EXPOSURE, COMPATIBILITY CONCERNS, APPLICATION TEMPERATURES AND SERVICE TEMPERATURE LIMITATIONS.
6. CLADDING, INSULATION, AND OPTIONAL INTERIOR VAPOR BARRIER NOT SHOWN FOR CLARITY. REFER TO LOCAL CODE ORDINANCES FOR INSULATION AND VAPOR BARRIER REQUIREMENTS.
7. SUBSTRATES MUST BE CLEAN AND DRY.
8. SELF-ADHERED MEMBRANES MAY REQUIRE A PRIMER FOR OPTIMAL ADHESION TO SOME SURFACES AND/OR SUBSTRATE TEMPERATURES. REFER TO PRODUCT SPECIFIC TECHNICAL DATA SHEET FOR PRIMER REQUIREMENTS.
9. VERIFY WEATHER-RESISTIVE BARRIER IS FREE FROM PROTRUSIONS OR DAMAGE PRIOR TO CLADDING INSTALLATION.
10. CONTACT HENRY AT 800-773-4777 FOR TECHNICAL ASSISTANCE.



A CARLISLE COMPANY

999 N. Pacific Coast Highway, Suite 800
El Segundo, CA 90245
800-486-1278 • www.henry.com

**BLUESKIN VP100 SELF-ADHERED AIR BARRIER
FLANGED WINDOW - METHOD B1
WINDOW INSTALLATION WITH PAN FLASHING AT SILL
FLASHING INSTALLED BEFORE WRB**

MANUFACTURER INSTALLATION GUIDELINES ARE FOR REFERENCE ONLY. HENRY DOES NOT ASSUME RESPONSIBILITY FOR ERRORS OR DEVIATIONS IN DESIGN OR ENGINEERING. PROJECT SPECIFIC VERIFICATION IS RECOMMENDED PRIOR TO INSTALLATION. DETAILS ARE NOT TO SCALE. REFER TO PRODUCT SPECIFIC TECHNICAL DATA SHEET FOR PRODUCT INFORMATION, RECOMMENDED AUXILIARY COMPONENTS AND INSTALLATION INSTRUCTIONS.

04-18-2022

PAGE 1 OF 1

VPWRB-6B1-P1