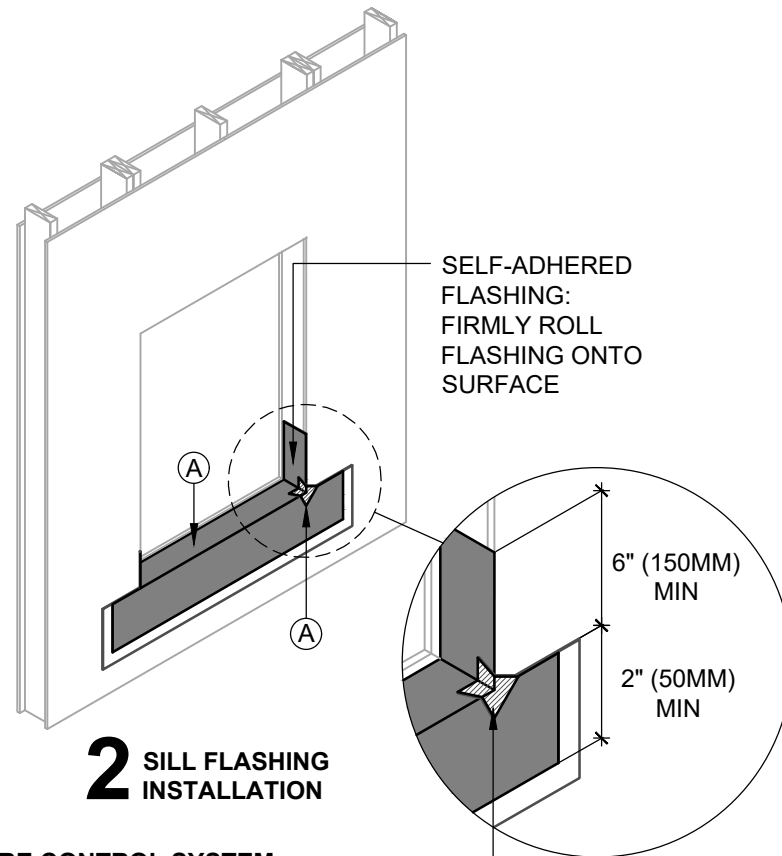


1 SILL FLASHING PREPARATION

- SELF-ADHERED FLASHING:**
1. REMOVE RELEASE PAPER AT TOP OF FLASHING AND ADHERE TOP OF FLASHING INTO PLACE
 2. LEAVE BOTTOM OF RELEASE PAPER INTACT TO PROTECT ADHESIVE FROM DIRT AND DEBRIS
 3. INTEGRATE FLASHING WITH WRB IN STEP #7



2 SILL FLASHING INSTALLATION

Henry RESIDENTIAL AND LIGHT COMMERCIAL WEATHER-RESISTIVE BARRIER ASSEMBLY
A CARLISLE COMPANY

WEATHER-RESISTIVE BARRIER (WRB) COMPONENTS

- (A) HENRY SELF-ADHERED FLASHING
- (B) HENRY MOISTOP SEALANT
- (C) HENRY SELF-ADHERED OR HENRY LIQUID APPLIED FLASHING
- (D) BLUESKIN VP100



HENRY 1-2-3 MOISTURE CONTROL SYSTEM WEATHER-RESISTIVE BARRIER (WRB) INSTALLATION GUIDELINES

NOTES

1. THE DEPICTED DETAIL SHOWS ONE OF THE SEVERAL COMMONLY ACCEPTED METHODS OF WINDOW INSTALLATION.
2. VISIT WWW.HENRY.COM/WARRANTY FOR ELIGIBILITY REQUIREMENTS OF THE 15-YEAR RESIDENTIAL AND LIGHT COMMERCIAL HENRY 1-2-3 MOISTURE CONTROL SYSTEM WARRANTY.
3. HENRY OFFERS **BLUESKIN VP100** IN THE UNITED STATES AND CANADA. PRODUCT AVAILABILITY AND WARRANTY OPTIONS MAY VARY BY LOCATION. REFER TO THE HENRY **BLUESKIN VP100** GUIDE SPECIFICATION FOR RECOMMENDED FLASHINGS, SEALANTS, AND SYSTEM INFORMATION.

Henry
A CARLISLE COMPANY

999 N. Pacific Coast Highway, Suite 800
 El Segundo, CA 90245
 800-486-1278 • www.henry.com

**BLUESKIN VP100 SELF-ADHERED AIR BARRIER
 FLANGED WINDOW - METHOD A
 WINDOW INSTALLATION WITH PAN FLASHING AT SILL
 FLASHING INSTALLED BEFORE WRB - INSTALLATION SEQUENCE**

MANUFACTURER INSTALLATION GUIDELINES ARE FOR REFERENCE ONLY. HENRY DOES NOT ASSUME RESPONSIBILITY FOR ERRORS OR DEVIATIONS IN DESIGN OR ENGINEERING. PROJECT SPECIFIC VERIFICATION IS RECOMMENDED PRIOR TO INSTALLATION. DETAILS ARE NOT TO SCALE. REFER TO PRODUCT SPECIFIC TECHNICAL DATA SHEET FOR PRODUCT INFORMATION, RECOMMENDED AUXILIARY COMPONENTS AND INSTALLATION INSTRUCTIONS.

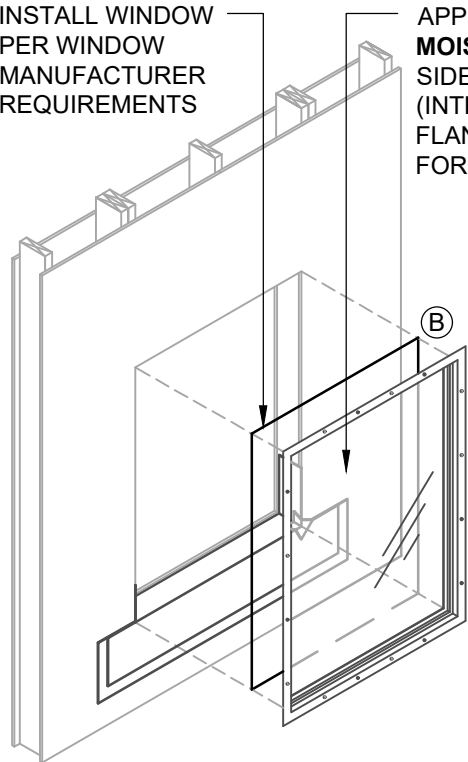
04-18-2022

PAGE 1 OF 2

VPWRB-6A-P2

INSTALL WINDOW
PER WINDOW
MANUFACTURER
REQUIREMENTS

APPLY A 3/8" (10MM) BEAD OF
MOISTOP SEALANT ON INTERIOR
SIDE OF WINDOW FLANGE
(INTERMITTENTLY ON SILL
FLANGE TO ALLOW
FOR DRAINAGE)



4 WINDOW INSTALLATION

INSTALL
JAMB
FLASHING
1" (25MM)
BELOW
TOP OF
HEAD
FLASHING

INSTALL HENRY
JAMB FLASHING
OVER WINDOW
JAMB FLANGE

5 JAMB FLASHING INSTALLATION

EXTEND HEADER
FLASHING 1" (25MM)
BEYOND JAMB
FLASHING

INSTALL HENRY
FLASHING OVER
WINDOW HEAD
FLANGE

6 HEADER FLASHING INSTALLATION

INSTALL WRB OVER JAMB
AND HEAD FLASHING PER
PRODUCT INSTALLATION
INSTRUCTIONS

TUCK WRB UNDER
LOOSE FLASHING
AND SECURE PER
PRODUCT SPECIFIC
INSTRUCTIONS

7 WEATHER-RESISTIVE BARRIER (WRB)

INSTALLATION GUIDELINES AND LIMITATIONS

1. INSTALLATION "METHOD A" REFERS TO COMMON WINDOWS (SURFACE MOUNTED). INSTALL WINDOW PER WINDOW MANUFACTURER REQUIREMENTS.
2. AS A BEST PRACTICE, SLOPE SILL PRIOR TO FLASHING INSTALLATION TO PROMOTE POSITIVE DRAINAGE. USE BACKDAM IN LIEU OF SHIM AS REQUIRED.
3. SEE PRODUCT SPECIFIC TECHNICAL DATA SHEET FOR ROLL SIZES, MAXIMUM UV EXPOSURE, COMPATIBILITY CONCERNS, APPLICATION TEMPERATURES AND SERVICE TEMPERATURE LIMITATIONS.
4. REFER TO THE HENRY **BLUESKIN VP100** GUIDE SPECIFICATION FOR RECOMMENDED FLASHINGS.
5. FLASHINGS MAY NOT BE COMPATIBLE WITH ALL SEALANTS. USE SEALANT AS INDICATED OR VERIFY COMPATIBILITY AS DIRECTED IN AAMA 713.
6. PROVIDE INTERIOR AIR AND WATER SEAL AT WINDOW PERIMETER PER WINDOW MANUFACTURER RECOMMENDATIONS.
7. SUBSTRATES MUST BE CLEAN AND DRY.
8. SELF-ADHERED MEMBRANES MAY REQUIRE A PRIMER FOR OPTIMAL ADHESION TO SOME SURFACES AND/OR SUBSTRATE TEMPERATURES.
9. ROLL SELF-ADHERED MEMBRANES TO OBTAIN CONTINUOUS ADHESION.
10. VERIFY WEATHER-RESISTIVE BARRIER IS FREE FROM PROTRUSIONS OR DAMAGE PRIOR TO CLADDING INSTALLATION.
11. CONTACT HENRY AT 800-773-4777 FOR TECHNICAL ASSISTANCE.

Henry[®]

A CARLISLE COMPANY

999 N. Pacific Coast Highway, Suite 800
El Segundo, CA 90245
800-486-1278 • www.henry.com

BLUESKIN VP100 SELF-ADHERED AIR BARRIER FLANGED WINDOW - METHOD A WINDOW INSTALLATION WITH PAN FLASHING AT SILL FLASHING INSTALLED BEFORE WRB - INSTALLATION SEQUENCE

MANUFACTURER INSTALLATION GUIDELINES ARE FOR REFERENCE ONLY. HENRY DOES NOT ASSUME RESPONSIBILITY FOR ERRORS OR DEVIATIONS IN DESIGN OR ENGINEERING. PROJECT SPECIFIC VERIFICATION IS RECOMMENDED PRIOR TO INSTALLATION. DETAILS ARE NOT TO SCALE. REFER TO PRODUCT SPECIFIC TECHNICAL DATA SHEET FOR PRODUCT INFORMATION, RECOMMENDED AUXILIARY COMPONENTS AND INSTALLATION INSTRUCTIONS.

04-18-2022

PAGE 2 OF 2

VPWRB-6A-P2