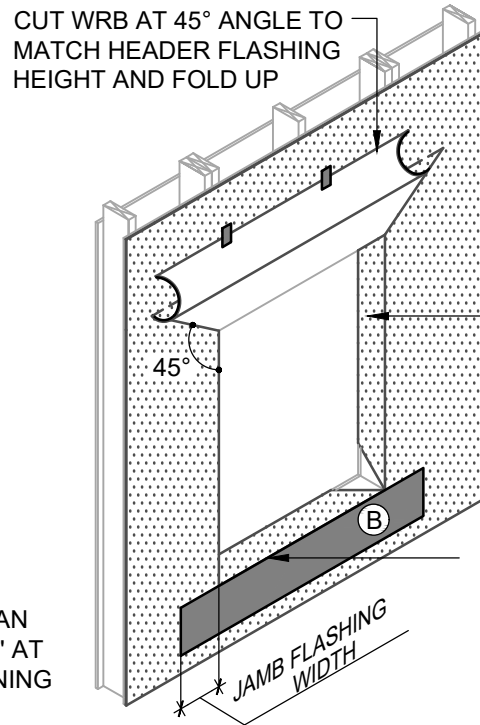
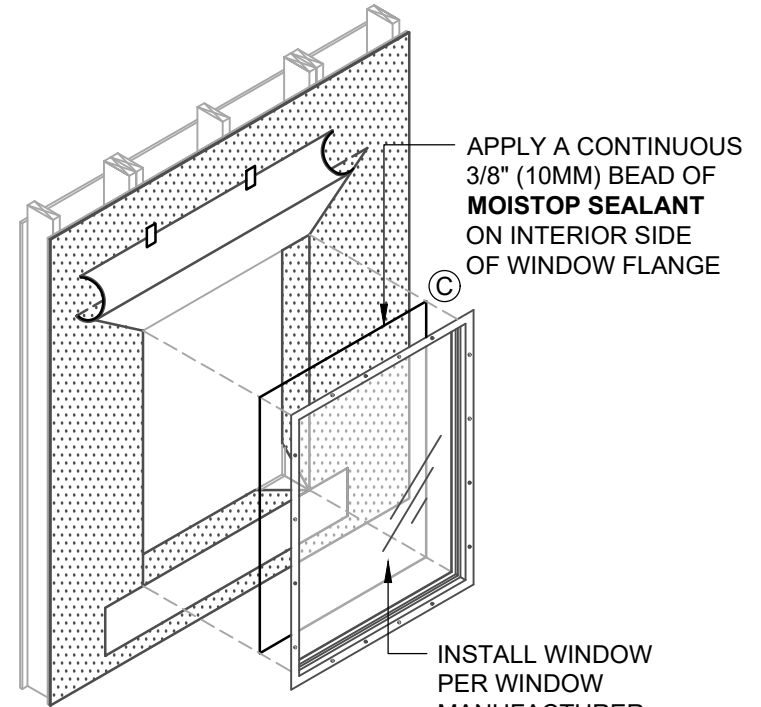


**1 WEATHER-RESISTIVE BARRIER (WRB)**



**2 HEADER PREPARATION AND SILL FLASHING**



**3 WINDOW INSTALLATION**



RESIDENTIAL AND LIGHT COMMERCIAL  
WEATHER-RESISTIVE BARRIER ASSEMBLY



HENRY 1-2-3 MOISTURE CONTROL SYSTEM  
WEATHER-RESISTIVE BARRIER (WRB)  
INSTALLATION GUIDELINES

**WEATHER-RESISTIVE BARRIER (WRB) COMPONENTS**

- (A) HENRY MECHANICALLY ATTACHED WEATHER-RESISTIVE BARRIER
- (B) HENRY SELF-ADHERED OR HENRY LIQUID APPLIED FLASHING
- (C) HENRY MOISTOP SEALANT
- (D) HENRY SHEATHING TAPE

**NOTES**

1. THE DEPICTED DETAIL SHOWS ONE OF THE SEVERAL COMMONLY ACCEPTED METHODS OF WINDOW INSTALLATION.
2. VISIT [WWW.HENRY.COM/WARRANTY](http://WWW.HENRY.COM/WARRANTY) FOR ELIGIBILITY REQUIREMENTS OF THE 15-YEAR RESIDENTIAL AND LIGHT COMMERCIAL HENRY 1-2-3 MOISTURE CONTROL SYSTEM WARRANTY.
3. THIS DETAIL IS SUITABLE FOR **WEATHERSMART COMMERCIAL, WEATHERSMART, JUMBO TEX, SUPER JUMBO TEX 60 MIN, AND PLYDRY.**



999 N. Pacific Coast Highway, Suite 800  
El Segundo, CA 90245  
800-486-1278 • [www.henry.com](http://www.henry.com)

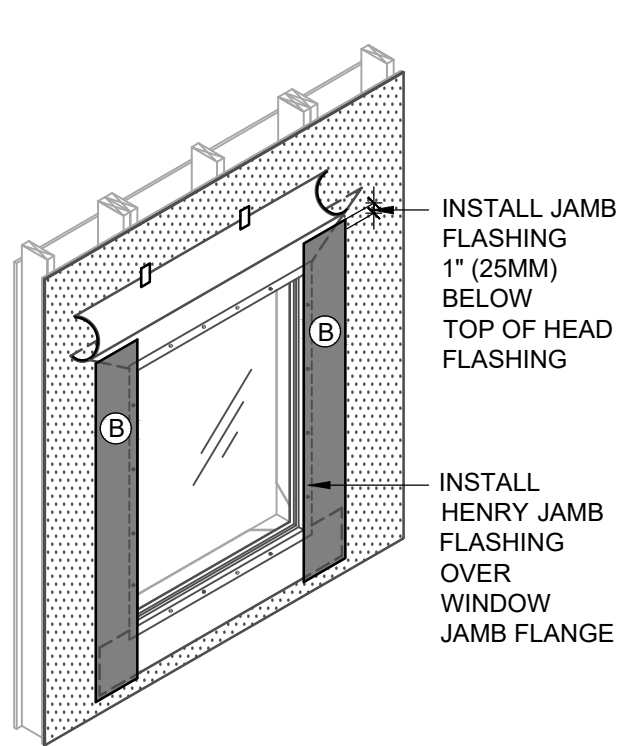
**MECHANICALLY ATTACHED WEATHER-RESISTIVE BARRIER  
FLANGED WINDOW - METHOD A1**  
WINDOW INSTALLATION FOR LOW WIND AND WATER EXPOSURE  
FLASHING INSTALLED AFTER WRB - INSTALLATION SEQUENCE

MANUFACTURER INSTALLATION GUIDELINES ARE FOR REFERENCE ONLY. HENRY DOES NOT ASSUME RESPONSIBILITY FOR ERRORS OR DEVIATIONS IN DESIGN OR ENGINEERING. PROJECT SPECIFIC VERIFICATION IS RECOMMENDED PRIOR TO INSTALLATION. DETAILS ARE NOT TO SCALE. REFER TO PRODUCT SPECIFIC TECHNICAL DATA SHEET FOR PRODUCT INFORMATION, RECOMMENDED AUXILIARY COMPONENTS AND INSTALLATION INSTRUCTIONS.

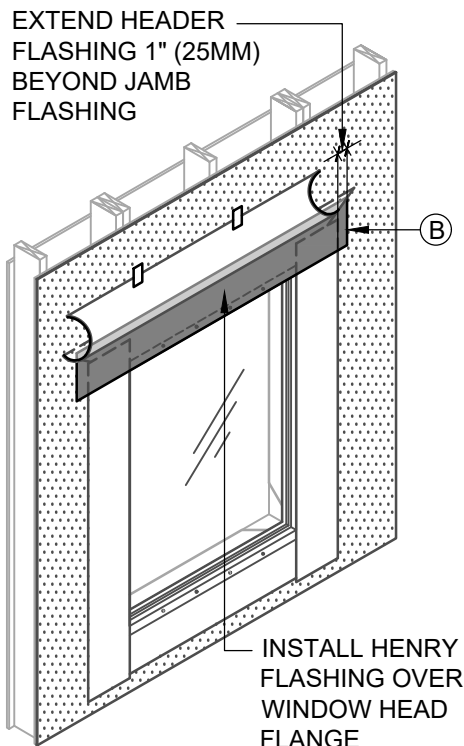
05-31-2022

PAGE 1 OF 2

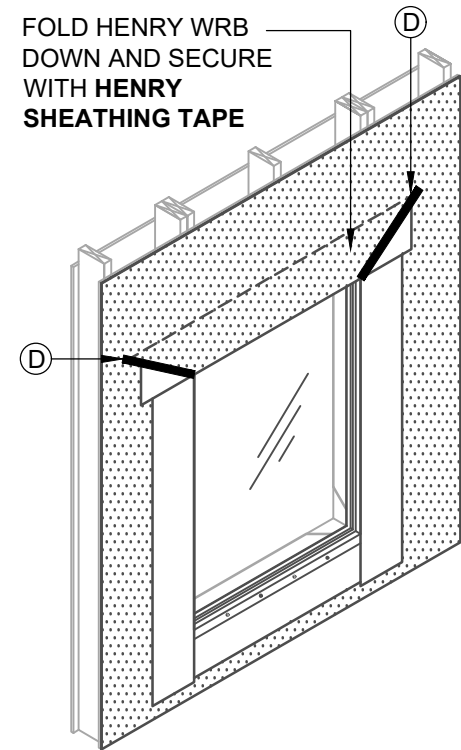
**MAWRB-6A1-L2**



**4** JAMB FLASHING  
INSTALLATION



**5** HEADER FLASHING  
INSTALLATION



**6** SECURE WRB  
AT HEADER

**INSTALLATION GUIDELINES AND LIMITATIONS**

1. INSTALLATION "METHOD A1" REFERS TO COMMON WINDOWS (SURFACE MOUNTED). INSTALL WINDOW PER WINDOW MANUFACTURER REQUIREMENTS.
2. SEE PRODUCT SPECIFIC TECHNICAL DATA SHEET FOR ROLL SIZES, MAXIMUM UV EXPOSURE, COMPATIBILITY CONCERNS, APPLICATION TEMPERATURES AND SERVICE TEMPERATURE LIMITATIONS.
3. REFER TO THE HENRY PRODUCT SPECIFIC WRB GUIDE SPECIFICATION FOR RECOMMENDED FLASHINGS.
4. FLASHINGS MAY NOT BE COMPATIBLE WITH ALL SEALANTS. USE SEALANTS AS INDICATED OR VERIFY COMPATIBILITY AS DIRECTED IN AAMA 713.
5. INSTALLATIONS WITHOUT A DRAINAGE SILL PAN ARE LIMITED TO LOW WIND AND WATER EXPOSURE CONDITIONS.
6. SELF-ADHERED MEMBRANES MAY REQUIRE A PRIMER FOR OPTIMAL ADHESION TO SOME SURFACES AND/OR SUBSTRATE TEMPERATURES.
7. ROLL SELF-ADHERED MEMBRANES TO OBTAIN CONTINUOUS ADHESION.
8. VERIFY WEATHER-RESISTIVE BARRIER IS FREE FROM PROTRUSIONS OR DAMAGE PRIOR TO CLADDING INSTALLATION.
9. CONTACT HENRY AT 800-773-4777 FOR TECHNICAL ASSISTANCE.



A CARLISLE COMPANY

999 N. Pacific Coast Highway, Suite 800  
El Segundo, CA 90245  
800-486-1278 • www.henry.com

**MECHANICALLY ATTACHED WEATHER-RESISTIVE BARRIER  
FLANGED WINDOW - METHOD A1**

**WINDOW INSTALLATION FOR LOW WIND AND WATER EXPOSURE  
FLASHING INSTALLED AFTER WRB - INSTALLATION SEQUENCE**

MANUFACTURER INSTALLATION GUIDELINES ARE FOR REFERENCE ONLY. HENRY DOES NOT ASSUME RESPONSIBILITY FOR ERRORS OR DEVIATIONS IN DESIGN OR ENGINEERING. PROJECT SPECIFIC VERIFICATION IS RECOMMENDED PRIOR TO INSTALLATION. DETAILS ARE NOT TO SCALE. REFER TO PRODUCT SPECIFIC TECHNICAL DATA SHEET FOR PRODUCT INFORMATION, RECOMMENDED AUXILIARY COMPONENTS AND INSTALLATION INSTRUCTIONS.

05-31-2022

PAGE 2 OF 2

**MAWRB-6A1-L2**