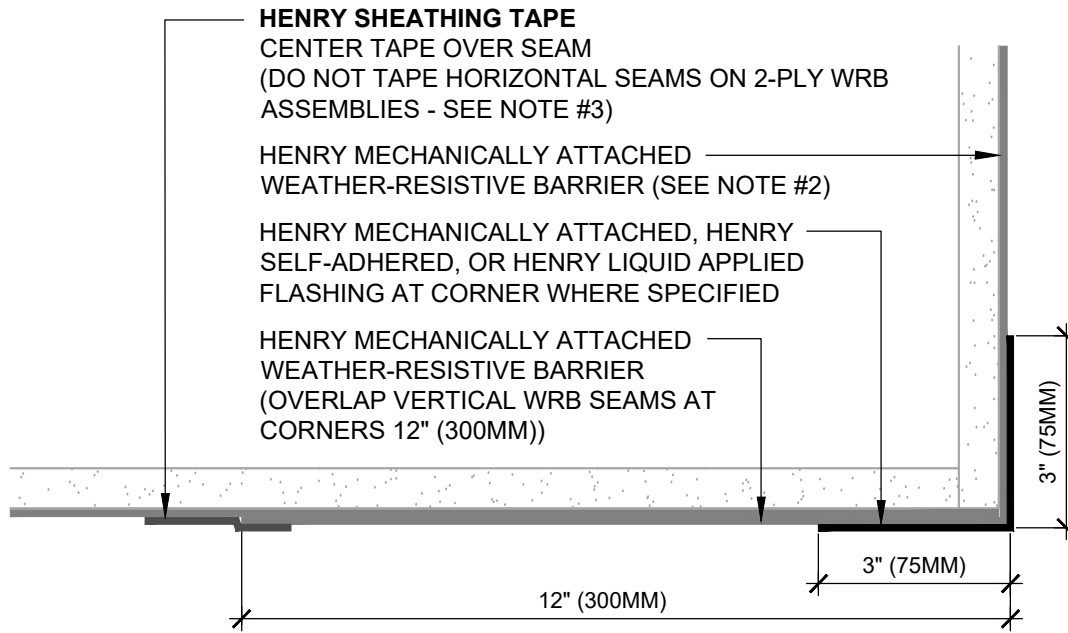


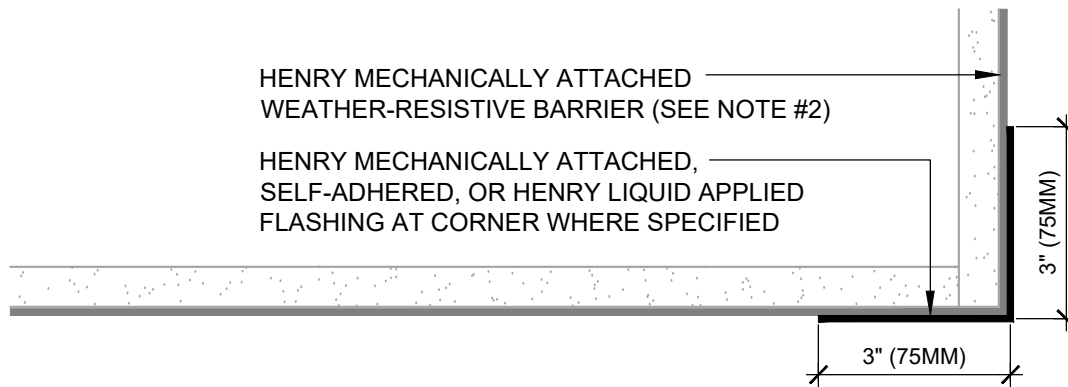


**HENRY 1-2-3 MOISTURE CONTROL SYSTEM  
WEATHER-RESISTIVE BARRIER (WRB)  
INSTALLATION GUIDELINES**



**OUTSIDE CORNER (PLAN VIEW)**

WRB SEAM AT CORNER



**OUTSIDE CORNER (PLAN VIEW)**

WRB WRAPPED AROUND CORNER

HENRY SHEATHING TAPE  
CENTER TAPE OVER SEAM  
(DO NOT TAPE HORIZONTAL SEAMS ON 2-PLY WRB  
ASSEMBLIES - SEE NOTE #3)

HENRY MECHANICALLY ATTACHED  
WEATHER-RESISTIVE BARRIER (SEE NOTE #2)

HENRY MECHANICALLY ATTACHED, HENRY  
SELF-ADHERED, OR HENRY LIQUID APPLIED  
FLASHING AT CORNER WHERE SPECIFIED

HENRY MECHANICALLY ATTACHED  
WEATHER-RESISTIVE BARRIER  
(OVERLAP VERTICAL WRB SEAMS AT  
CORNERS 12" (300MM))

HENRY MECHANICALLY ATTACHED  
WEATHER-RESISTIVE BARRIER (SEE NOTE #2)

HENRY MECHANICALLY ATTACHED,  
SELF-ADHERED, OR HENRY LIQUID APPLIED  
FLASHING AT CORNER WHERE SPECIFIED

**NOTES**

1. VISIT [WWW.HENRY.COM/WARRANTY](http://WWW.HENRY.COM/WARRANTY) FOR ELIGIBILITY REQUIREMENTS OF THE 15-YEAR RESIDENTIAL AND LIGHT COMMERCIAL HENRY 1-2-3 MOISTURE CONTROL SYSTEM WARRANTY.
2. THIS DETAIL IS SUITABLE FOR **WEATHERSMART, WEATHERSMART COMMERCIAL, WEATHERSMART DRAINABLE, WEATHERSMART D, HYDRO TEX, JUMBO TEX, SUPER JUMBO TEX 60 MIN, TWO-PLY JUMBO TEX, TWO-PLY SUPER JUMBO TEX 60 MIN, AND PLYDRY.**
3. INSTALL SHEATHING TAPE AT SEAMS TO CREATE AN AIR BARRIER ASSEMBLY AS REQUIRED. DO NOT TAPE HORIZONTAL SEAMS ON 2-PLY WRB ASSEMBLIES.
4. SEE PRODUCT SPECIFIC TECHNICAL DATA SHEET FOR ROLL SIZES, MAXIMUM UV EXPOSURE, COMPATIBILITY CONCERNS, APPLICATION TEMPERATURES AND SERVICE TEMPERATURE LIMITATIONS.
5. REFER TO THE PRODUCT SPECIFIC GUIDE SPECIFICATION FOR RECOMMENDED FLASHINGS.
6. CLADDING, INSULATION, AND OPTIONAL INTERIOR VAPOR BARRIER NOT SHOWN FOR CLARITY. REFER TO LOCAL CODE ORDINANCES FOR INSULATION AND VAPOR BARRIER REQUIREMENTS.
7. SELF-ADHERED MEMBRANES MAY REQUIRE A PRIMER FOR OPTIMAL ADHESION TO SOME SURFACES AND/OR SUBSTRATE TEMPERATURES. REFER TO PRODUCT SPECIFIC TECHNICAL DATA SHEET FOR PRIMER REQUIREMENTS.
8. ROLL SELF-ADHERED MEMBRANES TO OBTAIN CONTINUOUS ADHESION.
9. VERIFY WEATHER-RESISTIVE BARRIER IS FREE FROM PROTRUSIONS OR DAMAGE PRIOR TO CLADDING INSTALLATION.
10. CONTACT HENRY AT 800-773-4777 FOR TECHNICAL ASSISTANCE.



A CARLISLE COMPANY

999 N. Pacific Coast Highway, Suite 800  
El Segundo, CA 90245  
800-486-1278 • [www.henry.com](http://www.henry.com)

**MECHANICALLY ATTACHED WEATHER-RESISTIVE BARRIER**

**OUTSIDE CORNERS**

**TYPICAL CORNER DETAILS - PLAN VIEW  
SHEATHING JOINTS**

MANUFACTURER INSTALLATION GUIDELINES ARE FOR REFERENCE ONLY. HENRY DOES NOT ASSUME RESPONSIBILITY FOR ERRORS OR DEVIATIONS IN DESIGN OR ENGINEERING. PROJECT SPECIFIC VERIFICATION IS RECOMMENDED PRIOR TO INSTALLATION. DETAILS ARE NOT TO SCALE. REFER TO PRODUCT SPECIFIC TECHNICAL DATA SHEET FOR PRODUCT INFORMATION, RECOMMENDED AUXILIARY COMPONENTS AND INSTALLATION INSTRUCTIONS.

05-31-2022

PAGE 1 OF 1

**MAWRB-3A1**