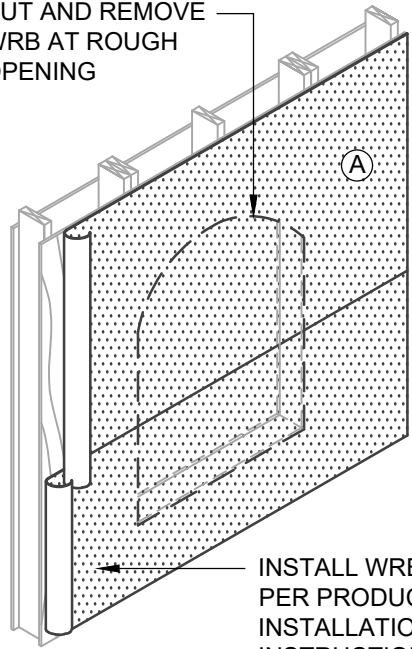
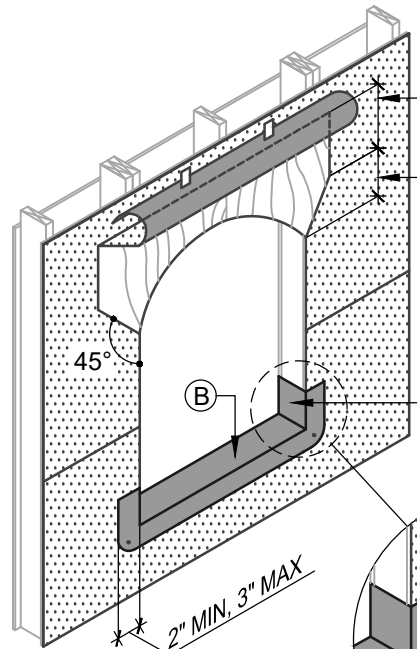


CUT AND REMOVE WRB AT ROUGH OPENING



INSTALL WRB PER PRODUCT INSTALLATION INSTRUCTIONS

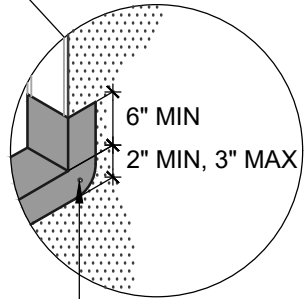
**1 WEATHER-RESISTIVE BARRIER (WRB)**



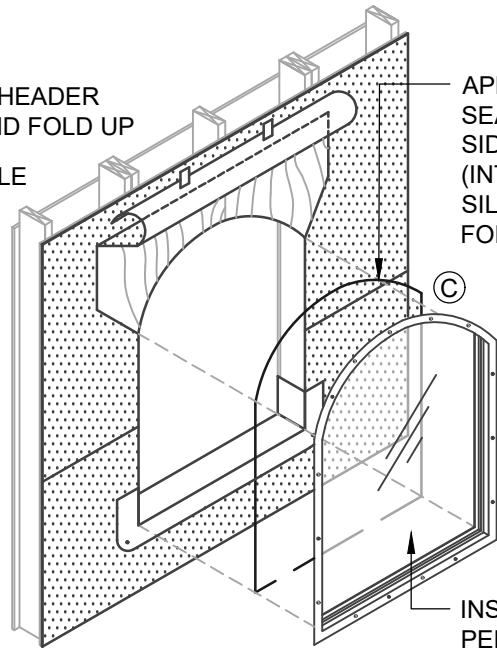
CUT WRB TO MATCH HEADER FLASHING HEIGHT AND FOLD UP  
CUT WRB AT 45° ANGLE TO MATCH HEADER FLASHING HEIGHT

FIRMLY ROLL FLASHING ONTO SURFACE

**2 HEADER PREPARATION AND SILL FLASHING**



FASTEN CORNER FLASHING AS NEEDED



APPLY A 3/8" BEAD OF SEALANT ON INTERIOR SIDE OF WINDOW FLANGE (INTERMITTENTLY ON SILL FLANGE TO ALLOW FOR DRAINAGE)

INSTALL WINDOW PER WINDOW MANUFACTURER REQUIREMENTS

**3 WINDOW INSTALLATION**

**Henry** RESIDENTIAL AND LIGHT COMMERCIAL WEATHER-RESISTIVE BARRIER ASSEMBLY

**WEATHER-RESISTIVE BARRIER (WRB) COMPONENTS**

- (A) HENRY WEATHER-RESISTIVE BARRIER
- (B) HENRY FORTIFLEX BUTYL
- (C) HENRY MOISTOP SEALANT
- (D) HENRY SELF-ADHERED JAMB FLASHING
- (E) HENRY FORTIFLEX BUTYL
- (F) HENRY SHEATHING TAPE



**FORTIFIBER® 1-2-3 MOISTURE CONTROL SYSTEM WEATHER-RESISTIVE BARRIER (WRB) INSTALLATION GUIDELINES**



SCAN THE QR CODES FOR VIDEO INSTALLATIONS

**NOTES**

1. QUALIFYING HENRY WEATHER-RESISTIVE BARRIER ASSEMBLY INSTALLATIONS MAY BE ELIGIBLE FOR THE 15-YEAR RESIDENTIAL AND LIGHT COMMERCIAL FORTIFIBER 1-2-3 MOISTURE CONTROL SYSTEM WARRANTY. VISIT [WWW.HENRY.COM/WARRANTY](http://WWW.HENRY.COM/WARRANTY) FOR ADDITIONAL INFORMATION.



999 N. Pacific Coast Highway, Suite 800  
El Segundo, CA 90245  
800-486-1278 • [www.henry.com](http://www.henry.com)

**MECHANICALLY ATTACHED WEATHER-RESISTIVE BARRIER FORTIFLEX BUTYL**

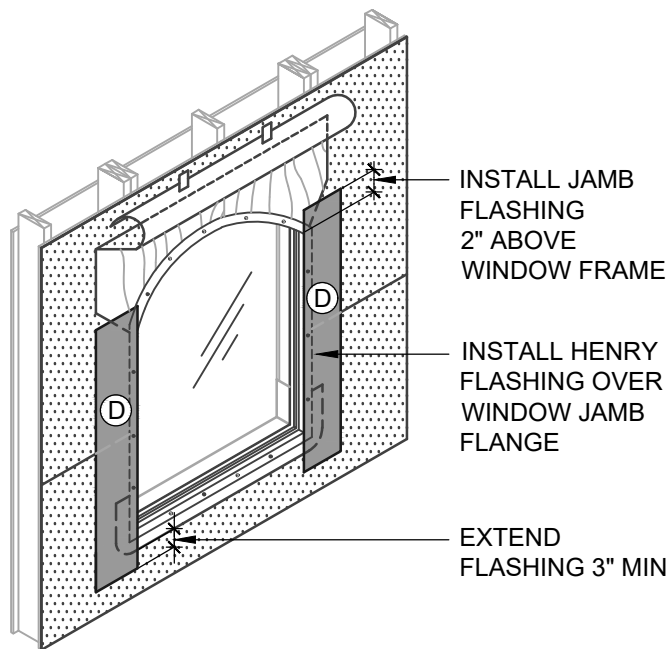
**FLANGED WINDOW - METHOD A1 WINDOW INSTALLATION FOR FLASHING INSTALLED AFTER WRB**

MANUFACTURER INSTALLATION GUIDELINES ARE FOR REFERENCE ONLY. HENRY DOES NOT ASSUME RESPONSIBILITY FOR ERRORS OR DEVIATIONS IN DESIGN OR ENGINEERING. PROJECT SPECIFIC VERIFICATION IS RECOMMENDED PRIOR TO INSTALLATION. DETAILS ARE NOT TO SCALE. REFER TO PRODUCT SPECIFIC TECHNICAL DATA SHEET FOR PRODUCT INFORMATION, RECOMMENDED AUXILIARY COMPONENTS AND INSTALLATION INSTRUCTIONS.

11-03-2020

PAGE 1 OF 2

**MAWRB-6A1-F**

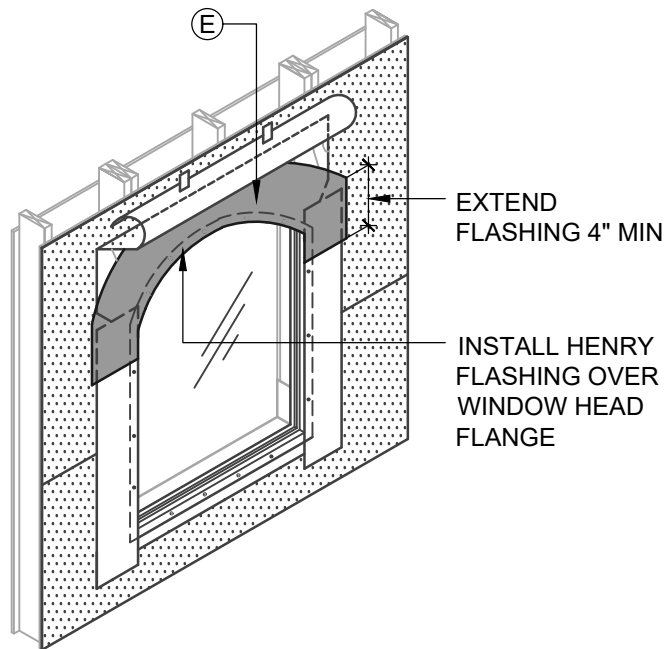


**4** JAMB FLASHING  
INSTALLATION

INSTALL JAMB  
FLASHING  
2" ABOVE  
WINDOW FRAME

INSTALL HENRY  
FLASHING OVER  
WINDOW JAMB  
FLANGE

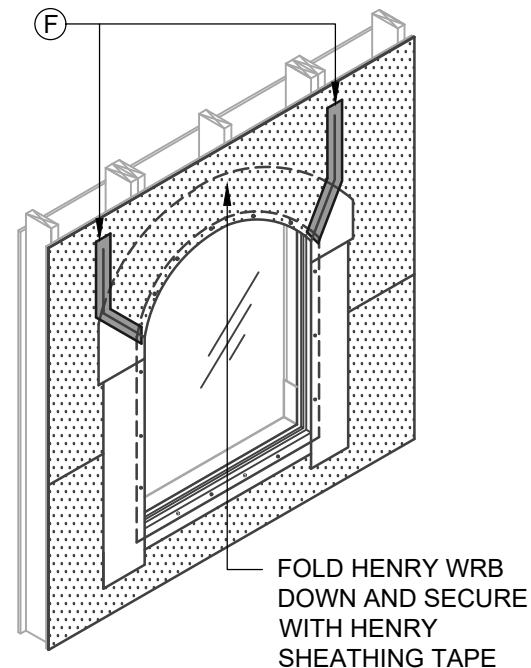
EXTEND  
FLASHING 3" MIN



**5** HEADER FLASHING  
INSTALLATION

EXTEND  
FLASHING 4" MIN

INSTALL HENRY  
FLASHING OVER  
WINDOW HEAD  
FLANGE



**6** SECURE WRB  
AT HEADER

FOLD HENRY WRB  
DOWN AND SECURE  
WITH HENRY  
SHEATHING TAPE

#### INSTALLATION GUIDELINES AND LIMITATIONS

1. INSTALLATION "METHOD A1" REFERS TO COMMON WINDOWS (SURFACE MOUNTED). INSTALL WINDOW PER WINDOW MANUFACTURER REQUIREMENTS.
2. SEE PRODUCT SPECIFIC TECHNICAL DATA SHEET FOR ROLL SIZES, MAXIMUM UV EXPOSURE, COMPATIBILITY CONCERNS, APPLICATION TEMPERATURES AND SERVICE TEMPERATURE LIMITATIONS.
3. FLASHINGS MAY NOT BE COMPATIBLE WITH ALL SEALANTS. USE **MOISTOP SEALANT** OR VERIFY COMPATIBILITY AS DIRECTED IN AAMA 713.
4. DO NOT OVERSTRETCH FORTIFLEX BUTYL.
5. DO NOT STRETCH FORTIFLEX AT STRAIGHT SECTIONS.
6. PROVIDE AN INTERIOR AIR AND WATER SEAL.
7. USE EXTERIOR GRADE FASTENERS TO INSTALL AND SECURE THE WEATHER-RESISTIVE BARRIER UNTIL COVERED WITH EXTERIOR CLADDING.
8. SUBSTRATES MUST BE CLEAN AND DRY.
9. SELF-ADHERED FLASHING MAY REQUIRE A PRIMER FOR OPTIMAL ADHESION TO SOME SURFACES AND/OR SUBSTRATE TEMPERATURES.
10. FIRMLY ROLL SELF-ADHERED FLASHING TO OBTAIN CONTINUOUS ADHESION. TEXTURED SURFACES REQUIRE ADDITIONAL PRESSURE WHEN ROLLING.
11. VERIFY WEATHER-RESISTIVE BARRIER IS FREE FROM PROTRUSIONS OR DAMAGE PRIOR TO CLADDING INSTALLATION.
12. CONTACT HENRY AT 800-773-4777 FOR TECHNICAL ASSISTANCE.

**Henry**<sup>®</sup>

999 N. Pacific Coast Highway, Suite 800  
El Segundo, CA 90245  
800-486-1278 • www.henry.com

## MECHANICALLY ATTACHED WEATHER-RESISTIVE BARRIER FORTIFLEX BUTYL

**FLANGED WINDOW - METHOD A1  
WINDOW INSTALLATION FOR FLASHING INSTALLED AFTER WRB**

MANUFACTURER INSTALLATION GUIDELINES ARE FOR REFERENCE ONLY. HENRY DOES NOT ASSUME RESPONSIBILITY FOR ERRORS OR DEVIATIONS IN DESIGN OR ENGINEERING. PROJECT SPECIFIC VERIFICATION IS RECOMMENDED PRIOR TO INSTALLATION. DETAILS ARE NOT TO SCALE. REFER TO PRODUCT SPECIFIC TECHNICAL DATA SHEET FOR PRODUCT INFORMATION, RECOMMENDED AUXILIARY COMPONENTS AND INSTALLATION INSTRUCTIONS.

11-3-2020

PAGE 2 OF 2

**MAWRB-6A1-F**