

Henry® Air-Bloc All Weather STPE® Fluid Applied Vapor Permeable Air Barrier

Submittal Packet



Table of Contents

Henry® Air-Bloc All Weather STPE®

Technical Data Sheets

Membrane

Henry® Air-Bloc All Weather STPE®	3
---	---

Primer Options

Henry® Aquatac™ Primer	6
Henry® Blueskin® LVC Adhesive.....	8
Henry® Blueskin® LVC Spray Primer.....	10
Henry® Blueskin® Adhesive	13

Flashing Options

Henry® Blueskin® Butyl Flash	15
Henry® Blueskin® TWF.....	17
Henry® Blueskin® Metal Clad®	19
Henry® Air-Bloc® LF Liquid-Applied Flashing.....	21
Henry® Blueskin® SA LT.....	24
Henry® Blueskin® SA	26

Sealant Options

Henry® 925 BES Sealant	28
------------------------------	----

Safety Data Sheets

Henry® Air-Bloc All Weather STPE®	30
---	----

Health and Product Declaration

Henry® Air-Bloc All Weather STPE®	38
Declare Label.....	44

Architectural Details

Henry® Air-Bloc All Weather STPE® - All Details.....	45
--	----

Sample Warranty

Henry® Air-Bloc All Weather STPE® 5 Year Material Warranty.....	78
---	----

Tech-Talk Bulletins

Henry® NFPA 285 Air Barrier Assemblies.....	81
Henry® Living Building Challenge: Red List Status	105
Henry® Air Barrier Assemblies Meet ASTM E2357	108
Fastener Penetrations through Air Barrier Membranes.....	109

Product Certification

Henry® Air-Bloc All Weather STPE® Product Certification.....	111
--	-----

LEED Declarations

Henry® Air-Bloc All Weather STPE® LEED Information.....	112
---	-----



Air-Bloc® All Weather STPE

UV Resistant, Vapor Permeable Air Barrier

Physical property	Typical value	Test method
Color	Black	-
Specified Film Thickness	20 mils (0.5 mm) wet/dry	Wet: comb gauge/ Dry: solids calculation
Solids Content (volume)	>98%	
Application Temperature	10 °F to 122 °F (-12 °C to +50 °C)	-
Service Temperature*	-40 °F to 300 °F (-40 °C to +149 °C)	-
Rain Ready Time	within 30 minutes	-
Drying Time - Skin Formation	1-2 hours	-
Drying Time - Set Through	24 hours	-
Water Vapor Permeance at 20 mils (0.5 mm)	16 perms (915 ng/[Pa*m ² *s]) 11 perms (629 ng/[Pa*m ² *s])	ASTM E96, water method (B) ASTM E96, desiccant method (A)
Air Permeance - Material	0.001 cfm/ft ² @ 1.57 PSF (0.005 L/[s*m ²] @ 75 Pa)	ASTM E2178
Air Leakage – Assembly; Max. infiltration/exfiltration after cycling	<0.04 CFM/ft ² @1.57 PSF (<0.2 L/[s*m ²] @ 75 Pa)	ASTM E2357
Elongation	350%	ASTM D412
Tensile Strength	100 psi (689 kPa)	ASTM D412
Pull-off Adhesion (typical)	165 psi (1,137 kPa) - concrete ≥16 psi (110 kPa) or facer failure - exterior gypsum sheathing 60 psi (413 kPa) - OSB	ASTM D4541
Nail Sealability	Pass	AAMA 711-07 (ASTM D1970 modified)
Damp Surface Adhesion	Pass	AAMA 714-19 (ASTM C794)
Water Resistance	Pass	AATCC TM127
Flame Spread Index	20, Class A	ASTM E84
Smoke Developed	10, Class A	ASTM E84
Fire Testing	Complies with NFPA 285 in various wall assemblies; 20-mil meets IBC 2021 - 1402.5 exception #2	NFPA 285
Crack Bridging	Pass 10 cycles at -15°F (-26°C)	ASTM C1305
Low Temperature Flexibility	Pass -40°F (-40°C)	ASTM D1970
Freeze-Thaw	Pass - no effect	ASTM D2243
Accelerated Weathering	>5,000 hours	ASTM G154
Resistance to Mold, Mildew & Fungal Growth	Pass	ASTM D5590
VOC Content, max	25 g/L	EPA Method 24

*Membrane only; accessories have different service temperatures.

Codes and Approvals

2021 *International Building Code*: Chapter 14, Sec 1402.5 Combustible Water Resistive Barriers NFPA 285 Exception 2:

$HRR_{peak} < 150 \text{ W/m}^2$ THR < 20 MJ/m² EHC < 18 MJ/kg tested horizontally @ Heat Flux 50 kW/m², ASTM E1354

Flame Spread ≤25 smoke ≤450, ASTM E84

Air Barrier Association of America: Evaluated air barrier material and air barrier assembly

USGBC LEED v4: MR Credit Building Product Disclosure & Optimization; Health Product Declaration “HPD”

International Living Future Institute: Declare Label LBC Red List Free

Southern California Air Quality Management District: Rule 1113 Architectural Coatings, Table of Standards 1 VOC Limits, Building Envelope Coating ≤ 50g/L

Description

Henry® Air-Bloc All-Weather STPE is a high-solids, low VOC fluid-applied membrane for use in above-grade walls as an air and water resistive barrier. The product is installed to opaque wall substrates, then covered with a code-approved exterior cladding or thermal barrier. **Henry® Air-Bloc All-Weather STPE** uses Silyl Terminated Polyether (STPE) chemistry which cures with ambient moisture to form a tough, monolithic rubber-like membrane. This UV-resistant, black membrane can endure one year of exposure before cladding installation and can be used behind open-joint rain screen cladding. **Henry® Air-Bloc All-Weather STPE** is an excellent alternative to water-based materials where faster and more robust resistance to rain and tolerance of substrate dampness is required. **Air-Bloc All-Weather STPE** is provided in pails or drums and is applied by roller, brush or spray.

Features and benefits

- Can be left exposed for up to 12 months during construction.
- Allowed under open joint cladding.
- High solids content allows thinner application and higher coverage rate.
- Superior rain wash-off resistance and damp substrate tolerance offers schedule flexibility.
- Will not freeze. Can be shipped and stored in freezing conditions.
- Single component, one coat application; can be spray, roll, or brush applied for fast, easy installation.
- Excellent adhesion to most substrates; can be applied to damp surfaces.
- Same product on open wall can cover corners and rough openings, reducing detail complexity.
- Low temperature application down to 10°F (-12°C)
- NFPA 285 compliance: compliant in various wall assemblies; meets IBC 1403.5 exception#2
- Living Building Challenge Declare Label (Red List Free)

Usage

Air-Bloc All Weather STPE is used in construction of high-performance wall assemblies requiring vapor permeability along with UV, rain wash-off and high temperature resistance. When integrated with **Henry®** accessory products, **Air-Bloc All Weather STPE** forms a complete wall system meeting the highest industry performance standards. Product is suitable for use on a variety of wall substrates in situations where year-long outdoor exposure prior to cladding installation is anticipated and/or the product will be visible through open-joint cladding.

Application

Surface Prep: All surfaces must be sound, clean and free of frost, oil, grease, dirt, excess mortar or other contaminants. Acceptable substrates include exterior-grade gypsum sheathing, plywood, OSB, wood, precast or cast-in-place concrete, primed steel, aluminum mill finish, anodized aluminum, and galvanized metal. Concrete shall be cured 3 days minimum, and surfaces shall be free of large voids and spalled areas. Masonry mortar joints shall be struck flush or tooled and free of voids. Masonry shall have mortar droppings removed from ties and surfaces.

Apply: **Air-Bloc All Weather STPE** may be applied by brush, roller, or approved spray technique in a single coat application. Apply in a continuous, monolithic application without sags, runs or voids, transitioning onto flashing details to create a uniform drainage plane and air barrier. Regularly monitor wet mil thickness during application to assure adequate coverage.

Air-Bloc® All Weather STPE

Coverage Rates:

Typical* Application Rates on Wall Substrates, 20 mils (0.5mm) Thickness

Substrate	Per Unit of Volume ft ² /GAL (m ² /L)	Per Pail ft ² (m ²)	Per Drum ft ² (m ²)
Smooth: Exterior gypsum sheathing, OSB	60-75 (1.47 – 1.84)	300-375 (27.8 – 34.8)	3,300 – 4,125 (306 – 383)
Rough: CMU, Concrete	40-60 (0.98 -1.47)	200-300 (18.6 – 27.8)	2,200 – 3,300 (204 – 306)

*Application rates can vary significantly based on texture and porosity of substrate.

Spray Recommendations: Air-Bloc All Weather STPE can be installed using approved equipment and technique. Spray equipment must be properly specified, operated, and maintained to deliver consistent output and quality. Product and equipment must be kept free of moisture before and during operation. For more information, refer to Henry® Air-Bloc All Weather STPE Installation Manual.

Installation: Joints, transitions, openings, penetrations, terminations, and irregularities must be detailed with Henry® accessory products. Henry® accessory products include Air-Bloc LF liquid flashing, 925 BES sealant, Blueskin® self-adhered flashings and Henry® adhesive/primers. Air-Bloc All Weather STPE is applied at minimum 1" (2.5 cm) lap onto details while covering the wall substrates using roller, brush or spray technique. Finished membrane shall be at least 20 mils (0.5 mm) thick and be free of holes or voids. Refer to Air-Bloc All Weather STPE Installation Manual and Architectural Details for complete application information.

Limitations: Avoid installing asphaltic self-adhered flashings and membranes over Air-Bloc All Weather STPE. Allow longer cure time for Air-Bloc All Weather STPE installed at sub-freezing temperatures. Do not apply product during rain or on wet surfaces; damp surfaces are acceptable. Air-Bloc All Weather STPE is not designed or intended for exposure to negative side bulk water.

Clean Up: Uncured material may be cleaned from tools, hands and surfaces using solvent or other cleaners for oil-based materials. Cured product must be removed mechanically. For flush and clean-out of spray equipment, consult the Air-Bloc All Weather STPE Installation Guideline.

Product size/packaging

5-gallon (18.9 L) pails
55-gallon (208 L) drums

Storage

Store in a cool, dry location protected from direct sunlight and precipitation. Shelf life in original unopened packaging stored at or below 80°F (26.7°C) is 12 months from date of manufacture.

For more information, visit www.henry.com or for technical assistance call us at 888-229-2199. For more information on the Henry® - A Carlisle Company product warranty and liability disclaimer please visit www.henry.com/warranty. Refer to the Safety Data Sheet prior to using this product. The Safety Data Sheet is available at www.henry.com or by emailing Henry® - A Carlisle Company Technical Services at TechnicalServices@CarlisleCCW.com or by calling 888-229-2199.

Henry, Blueskin, and Air-Bloc are registered trademarks of Henry – A Carlisle Company.
Covered by US patent 6,901,712; Canadian patent 2,413,550.

The technical and application information herein is based on the present state of our best scientific and practical knowledge. As the information herein is of a general nature, no assumption can be made as to a product's suitability for a particular use or application and no warranty as to its accuracy, reliability or completeness either expressed or implied is given other than those required by law. The user is responsible for checking the suitability of products for their intended use. Henry® - A Carlisle Company data sheets are updated on a regular basis; it is the user's responsibility to obtain and to confirm the most recent version. Information contained in this data sheet may change without notice.



TECHNICAL DATA SHEET
925 BES Sealant
Building Envelope Sealant

Physical Property	Typical Value	Test Method
Color	Black, Gray, White	-
Application Temperature	32°F to 110°F (0°C to 43°C)	-
Service Temperature, cured	-40°F to 180°F (-40°C to 82°C)	-
Durometer Hardness	25 ±5 Shore A	ASTM D2240
Density	13 lbs/gal	-
Elongation, max	450-550%	ASTM D412
Dry Time	Initial Set: 60-90 min at 77°F (25°C) Set Through: 24 hours	-
Tensile Strength	150-200 psi	ASTM D412
Modulus	40-50% psi	-
VOC Content, max	5 g/L	EPA Method 24

Approvals and Certifications

- Meets ASTM C719 ± 35%
- Meets Fed Spec TT-S-00230C, Type II, Class A
- Meets ASTM C920 Type S, Grade NS, Class 35
- Granted SWR Institute Certificate of Validation

Description

925 BES Sealant is a premium, moisture cure sealant for construction joints subject to dynamic joint movement. This one-part, low odor, moisture cure product provides excellent weathering resistance, flexibility, very low VOC, through use of a silyl-terminated polyether (STPE) polymer. Upon curing, it is paintable with latex based paints. This product is fully compatible with Henry® air barrier, flashing, roofing and waterproofing systems.

Usage

- Building envelope sealant for self-adhered air barriers
- External joint sealant for Henry® air barrier, waterproofing and roofing systems
- Alternative to silicone and moisture cure urethanes in above-grade construction applications
- Construction joints up to 1" (25 mm) width, subject to dynamic joint movement of ± 35%

Application

Surface Prep: Joints must be sound, smooth, uniform and free from defects and foreign materials. Joints must also be clean, dry, free of frost and all contaminants, such as curing compounds, sealers, or coatings. Sealant adhesion should be tested on each different substrate prior to use by applying a bead allowing to cure thoroughly. To test adhesive strength, pull one end of the bead.

Apply: Cut nozzle to desired bead size; puncture inner seal. Apply at a 45° angle while pushing sealant ahead of nozzle. The width of the joint should be a minimum of 4 times the anticipated movement. In joints up to ½" (13 mm) wide, the depth of the sealant should be equal to the width, but not less than ¼" (6 mm). In joints wider than ½" (13 mm), the depth should be maintained at ½" (13 mm). Maximum joint width for installation is 1" (25 mm). In vertical and horizontal joints, tooling is necessary to aid contact with the substrate and eliminate air bubbles.

Clean-up

Clean hands and equipment with biodegradable terpene solvent such as citrus-based hand cleaner.

Packaging

10.3 oz cartridge
20 oz sausage

925 BES Sealant Building Envelope Sealant

Storage

925 BES Sealant has a shelf life of 12 months from date of manufacture when stored in original unopened container at or below 80°F (27°C). Containers should always be kept sealed when not in use.

For more information, visit www.henry.com or for technical assistance call us at 800-486-1278. For more information on Henry's® product warranty and liability disclaimer please visit www.henry.com/warranty. Refer to the Safety Data Sheet prior to using this product. The Safety Data Sheet is available at www.henry.com or by emailing Henry® Product Support at productsupport@henry.com or by calling 800-486-1278.

® Henry is a registered trademark of Henry Company

The technical and application information herein is based on the present state of our best scientific and practical knowledge. As the information herein is of a general nature, no assumption can be made as to a product's suitability for a particular use or application and no warranty as to its accuracy, reliability or completeness either expressed or implied is given other than those required by law. The user is responsible for checking the suitability of products for their intended use. Henry® Company data sheets are updated on a regular basis; it is the user's responsibility to obtain and to confirm the most recent version. Information contained in this data sheet may change without notice.

Henry® Company, 999 N. Sepulveda Blvd., Ste. 800 El Segundo, CA 90245
Tel: 800-486-1278 **Email:** techservices@henry.com
www.henry.com

Revision Date: 9/06/2016



Blueskin[®] LVC Adhesive

For Blueskin Self-Adhesive Membranes

Physical Properties

-Color	Blue	-Service Temp	Minus 40°C to 70°C
-Solids by Weight	40%	-Application Temp	Minus 12°C to 40°C
-Weight	0.919 kg/l	-Flammability	
-Drying Time		Wet	Flammable
Initial Set	Approximately 30 minutes	Dry	Burns
Set Through	2 hours		
-Maximum V.O.C.	<240 grams/liter		

Description

Blueskin[®] LVC Adhesive is a quick drying, lower volatile organic compound (VOC) formulation, rubber based adhesive designed to enhance the adhesion of self-adhesive membranes such as Blueskin[®].
Can be used as a pressure sensitive, contact adhesive for Neoprene Flashing.

Features

- Compliant with OTC rules for industrial adhesives and sealants and California South Coast Rule 1168
- Quick setting
- Aggressive tack provides improved adhesion of membrane to substrate
- Suitable for application at normal and low temperatures
- Easily applied

Uses

Used as an adhesive for self-adhesive membranes such as **Blueskin[®] SA, SALT, TWF, VP and WP200** when applied to masonry, concrete, wood, gypsum board, DensGlass[™] Gold and metal surfaces.

Blueskin[®] LVC Adhesive is the surface preparation of choice on above grade applications of self-adhered membranes where a quick setting, aggressive tack, solvent based, lower VOC primer is required.

Blueskin[®] LVC Adhesive may be used to bond Henry Neoprene Flashing to masonry, concrete and itself (lap).

Limitations

Avoid direct application on polystyrene materials, such as polystyrene insulation boards. Avoid use and exposure to open flames, electrical discharges and other ignition sources or where solvent odors may taint food or other susceptible products.

Packaging

Blueskin[®] LVC Adhesive is packaged in 18.93L pails (contains 17 L).

Preparation

Surfaces must be dry and free from dust, dirt, grease, oil or other foreign matter.

Application

Blueskin® LVC Adhesive for Self-Adhesive Membranes: Apply by brush, roller or spray at up to 6.13 m²/l (250 ft²/gal.). Rollers should have a solvent-resistant heavy nap of natural material such as lamb's wool. Allow adhesive to dry for approximately 30 minutes, longer under cold conditions, before applying membrane.

Coated surfaces not covered by membrane during the working day must be recoated.

Blueskin® LVC Adhesive for Neoprene Flashing Membrane: Apply by brush at 3.07 m²/l (125 ft²/gal) to substrate and back of Neoprene Flashing Membrane. Allow sufficient open time to develop full tack. Apply membrane to substrate smoothing out wrinkles or gaps.

Clean Up

Remove from tools, etc. mineral spirits. Clean hands with a waterless hand cleaner.

Caution

DANGER! EXTREMELY FLAMMABLE LIQUID AND VAPOR. VAPORS MAY CAUSE FLASH FIRE.

Contains hexane, methyl acetate, and p-chlorobenzotrifluoride. Vapors may ignite explosively. Keep away from heat, sparks, and flame. Vapors may cause flash fire. Do not smoke. Extinguish all flames and pilot lights; turn off all stoves, heaters, electric motors, and other sources of ignition during use and until all vapors are gone. Do not heat container or store at temperatures greater than 120°F. For exterior use only; CLOSE AIR INTAKES until solvents dissipate. Contains volatile solvents that might contaminate potable water. Close container after each use. **DANGER! HARMFUL OR FATAL IF SWALLOWED!** If swallowed, do not induce vomiting. CALL PHYSICIAN IMMEDIATELY! May be harmful if absorbed through skin. Use protective measures to avoid contact with eyes and skin. In case of eye contact, open eyelids wide and flush immediately with plenty of water for at least 15 minutes. GET MEDICAL ATTENTION! **USE ONLY WITH ADEQUATE VENTILATION!** Avoid breathing of vapor. If you experience eye watering, headaches or dizziness, leave area or increase fresh air or wear respirator (NIOSH/MSHA TC 23°C or equal). Repeated and prolonged occupational exposure to solvents can result in permanent brain and nervous system damage. **KEEP OUT OF REACH OF CHILDREN.**

Limited Warranty

LIMITED PRODUCT WARRANTY AND LIABILITY DISCLAIMER: Many factors affect the results obtained from this product – such as weather, workmanship, equipment utilized, and prior condition of the substrate – and these are all beyond our control. We, the manufacturer, warrant only that we will replace, at no charge, any product proved to have a material defect in original manufacturing within 12 months of purchase, provided the product has been applied in accordance with our written directions for uses we recommend as suitable for this product. Proof of purchase must be provided. **DISCLAIMER OF CONDITIONS/WARRANTIES AND LIMITATION OF LIABILITY:** THIS LIMITED WARRANTY IS IN LIEU OF ANY OTHER CONDITIONS OR WARRANTIES, EXPRESS OR IMPLIED, INCLUDING BUT NOT LIMITED TO ANY IMPLIED CONDITION OR WARRANTY OF MERCHANTABILITY OR FITNESS FOR A PARTICULAR PURPOSE. NO ONE, INCLUDING THE MANUFACTURER, SHALL HAVE ANY LIABILITY OF ANY KIND, INCLUDING FOR NEGLIGENCE OR FOR DIRECT, CONSEQUENTIAL, OR INCIDENTAL DAMAGES, RESULTING FROM ANY MISUSE, DEFECTS, ANY DELAYS CAUSED BY REPLACEMENT, OR OTHERWISE BEYOND PRODUCT REPLACEMENT. IF PURCHASER DOES NOT ACCEPT THESE TERMS, PURCHASER MAY RETURN ALL CONTAINERS OR PACKAGES OF PRODUCT PURCHASED FOR A FULL REFUND WITHIN 30-DAYS OF PURCHASE. RETENTION OF PRODUCT BEYOND 30-DAYS, OR USE OF PRODUCT SHALL CONSTITUTE ACCEPTANCE OF THESE TERMS, CONDITIONS, AND DISCLAIMERS. THIS LIMITED WARRANTY AND LIABILITY DISCLAIMER PROVIDES THE PURCHASER'S EXCLUSIVE REMEDY, FROM ANYONE, FOR ANYTHING RELATING TO THE PRODUCT. To the extent that any part of this LIMITED PRODUCT WARRANTY AND LIABILITY DISCLAIMER is determined unenforceable under the law of the place of purchase of the product, that part is severed and the remainder of these terms remain in full force and effect. To the extent permitted by law, the duration of any implied conditions or warranties is limited to the duration of Henry's express warranty.

Typical Physical Properties

Color	Blue
Base	Synthetic polymer
Application Temperature	40°F to 100 °F (4.4°C to 37.8°C)
Spray Pattern	Wide-web spray
Dry Time	1 to 3-minutes
Open Time	Up to 30-minutes
Solvent	Ester/Aliphatic hydrocarbon
Flash Point	<0°F (<-18°C)
Maximum VOC	250 g/l
Weight Per Gallon	7.16 lb (3.25 kg)
Shelf Life (Unopened)	12-months

Description

Henry 573 Blueskin LVC Spray Primer is a quick drying, low VOC (Volatile Organic Compound), rubber-based primer. It is designed to enhance the bond of peel and stick air barriers and waterproofing membranes, and also to bond system accessories, such as drain board, filter fabric, and polystyrene to masonry, concrete, wood, gypsum board, DensGlass® sheathing, and metal surfaces. It contains no chlorinated solvents and offers an excellent alternative to methylene chloride-based products.

Henry 573 Blueskin LVC Spray Primer is the surface preparation of choice on above and below grade applications where a quick setting, aggressive tack, is required.

Features

- Easy spray application, quick setting, and long working time
- Excellent adhesion to a wide variety of substrates
- Low VOC

US Regulatory Compliance

- OTC (Ozone Transport Commission), Rule for Adhesives and Sealants
- SCAQMD (South Coast Air Quality Management District) Rule 1168 – Adhesive and Sealant Applications
- All California Air District Regulations

Product Size

27 lb (12 kg) canisters

Usage

Henry 573 Blueskin LVC Spray Primer increases the bond strength to substrate for peel and stick air barrier and waterproofing membranes, such as Blueskin SA, SA-LT, TWF, WP200, and Blueskin VP, and also bonds system accessories, such as drain board, filter fabric, and polystyrene to masonry, concrete, wood, gypsum board, DensGlass® sheathing, and metal surfaces.

Henry 573 Blueskin LVC Spray Primer

Primer should not be applied directly to polystyrene; apply primer to the substrate only and follow Application instructions. Test primer on the product to be bonded before use when in doubt of compatibility.

Surface Preparation

Surfaces must be dry and free from dust, dirt, grease, oil, or other foreign matter.

Coverage

Approximately 1,650 to 2,450 square feet (153 to 228 m²) per canister depending on the porosity and texture of the surface and thickness of application. To assure proper spray pattern, prior to use store canister overnight in a room temperature environment. Application below 40°F (4.4°C) is not recommended.

Recommended Equipment

Airless spray gun, such as GunJet® AA23L, ASM 200, Graco® SG-1, or equivalent airless spray gun, and 6' (1.83 m) hose. Spray gun and hose are not included.

Application

Hose Connection: Use Teflon® tape on all fittings. Before initial use, securely attach spray gun to hose, then hose to canister; ensuring not to cross thread fittings. Open valve and check for leaks. Use only in well ventilated areas. Keep away from flame. Material is extremely flammable (see precautions below). Before beginning to spray, check area for ignition sources. Use protective eyewear (goggles) and gloves when handling. Read **Safety Data Sheet (SDS)** for complete safety information prior to use. Do not aim spray nozzle in direction of people.

Apply Blueskin LVC Spray Primer between 40°F to 100°F (4.4°C to 37.8°C) in order to obtain proper spray pattern. Fully open canister valve and do not close until empty. Hold spray nozzle approximately 8 to 12-inches (20 to 30 cm) from substrate and spray at a 90° angle from the substrate and even web coat. Apply at recommended coverage. Do not allow primer to “puddle”. Allow primer to dry until tacky for a minimum of 1 to 3 minutes at 60°F (15.6°C), under normal conditions, before bonding. Heat and humidity, or cold weather can cause longer drying times. Surfaces are dry if primer is tacky, but no primer transfers to the hand when touched. Use knuckles to test for tackiness. Complete the bond within 30-minutes, under normal conditions, after the primer is dry. If the two surfaces do not bond immediately when brought into contact, they have dried too long and another coat of primer should be applied to at least one of the surfaces. Coated surfaces not bonded during the working day must be recoated.

Carefully position coated surfaces before putting them together since no shifting is possible once contact is made. Bond surfaces together and immediately apply firm and uniform pressure over entire surface; work from the center to the edges.

Please consult Product Support for any specific questions regarding the application of this product.

Clean-up

Equipment can be cleaned with biodegradable terpene solvent or mineral spirits. Use care in handling solvents. Clean hands with waterless hand cleaner.

Storage and Disposal General Recommendations

Store canisters out of direct sunlight in a cool, well-ventilated area. Avoid storing canisters directly on the floor or against an outside wall. The shelf life for an unopened canister of this product, stored at temperatures between 60°F and 95°F (15.6°C and 35°C), is 12-months from date of manufacture. Observe all labeled hazard precautions.

Empty Canister Venting Instructions: The canister must be empty and permanently vented before disposing of it. The canister is empty when only air is coming out of the spray gun. Shut off the valve and remove the hose and spray gun. The empty canister will still have residual pressure and a small amount of liquid. In a well-ventilated area, open the valve and allow the pressure to drain and liquid to dry for at least 24-hours before permanently venting the canister. Opening the valve only is not sufficient and the canister must be permanently vented for proper disposal. After the pressure has been drained and liquid has dried, to permanently vent the empty canister, keep the valve in the open position and punch out the pressure relief disk. A non-sparking plastic, rubber, or wooden tool should be used to punch out the pressure relief disk. Do not punch out the pressure relief disk in the same area that the canister was drained in. The pressure relief disk is located at the top of the canister.

Henry 573 Blueskin LVC Spray Primer

The empty **and vented** canister can be disposed of as solid waste or recycled as scrap metal where local regulations and recycling facilities allow.

For further details, refer to the "Guidelines For The Storage And Disposition of Henry 573 Blueskin LVC Spray Primer Canisters" Henry Tech-Talk.

Precaution

DO NOT THIN. Avoid use where solvent odors may taint food or other susceptible products

**KEEP OUT OF REACH OF CHILDREN.
FOR INDUSTRIAL USE ONLY.
FOR EXTERIOR USE ONLY.
PLEASE READ THE ENTIRE LABEL.**

DANGER! EXTREMELY FLAMMABLE LIQUID AND VAPOR. VAPORS MAY CAUSE FLASH FIRE AND EXPLOSION. CONTENTS UNDER PRESSURE. VAPORS HARMFUL. Contains hexane, methyl acetate, and hydrocarbon propellants. Vapors may ignite explosively. Keep away from heat, sparks, and flame. Do not smoke. Extinguish all flames and pilot lights; turn off all stoves, heaters, electric motors, and other sources of ignition during use and until all vapors are gone. Do not heat container or store at temperatures greater than 120°F (48.8°C). **CLOSE AIR INTAKES** until solvents dissipate. Contains volatile solvents that might contaminate potable water. Close container after each use. **FIRST AID: DANGER! HARMFUL OR FATAL IF SWALLOWED!** If swallowed, do not induce vomiting. **CALL PHYSICIAN IMMEDIATELY!** May be harmful if absorbed through skin. Use protective measures to avoid contact with eyes and skin. In case of eye contact, open eyelids wide and flush immediately with plenty of water for at least 15-minutes. **GET MEDICAL ATTENTION! USE ONLY WITH ADEQUATE VENTILATION!** Avoid breathing of vapor. If you experience eye watering, headaches or dizziness, leave area or increase fresh air or wear respirator (NIOSH/MSHA TC 23C or equal). Repeated and prolonged occupational exposure to solvents can result in permanent brain and nervous system damage.

WARNING: This product contains detectable amounts of chemicals known to the State of California to cause cancer, or birth defects, or other reproductive harm.

Employers should obtain a copy of the **Safety Data Sheet (SDS)** from your supplier at the toll free number or website below.

Limited Material Warranty

We, the manufacturer, warrant only that this product is free of defects, since many factors which affect the results obtained from this product – such as weather, workmanship, equipment utilized, and prior condition of the substrate – are all beyond our control. We will replace at no charge any product proved to have a material defect within 12-months of purchase, provided it has been applied in accordance with our written directions for uses we recommend as suitable for this product. Proof of purchase must be provided. **DISCLAIMER OF WARRANTIES AND LIMITATION OF LIABILITY: THIS LIMITED WARRANTY IS IN LIEU OF ANY OTHER WARRANTIES EXPRESS OR IMPLIED INCLUDING BUT NOT LIMITED TO ANY IMPLIED WARRANTY OF MERCHANTABILITY OR FITNESS FOR A PARTICULAR PURPOSE. MANUFACTURER SHALL HAVE NO LIABILITY OF ANY KIND BEYOND PRODUCT REPLACEMENT, INCLUDING FOR CONSEQUENTIAL OR INCIDENTAL DAMAGES RESULTING FROM ANY DEFECTS OR ANY DELAYS CAUSED BY REPLACEMENT OR OTHERWISE. IF PURCHASER DOES NOT ACCEPT THESE TERMS OF THE LIMITED WARRANTY, PURCHASER MAY RETURN ALL CONTAINERS OR PACKAGES OF PRODUCT PURCHASED FOR A FULL REFUND (PROVIDED THE CONTAINERS OR PACKAGING IS UNOPENED AND LESS SHIPPING CHARGES IF ANY) WITHIN 30-DAYS OF PURCHASE. RETENTION OF PRODUCT BEYOND 30-DAYS FROM PURCHASE, OR USE OF PRODUCT SHALL CONSTITUTE ACCEPTANCE OF THE LIMITED WARRANTY TERMS, CONDITIONS, AND DISCLAIMERS. THIS LIMITED WARRANTY PROVIDES THE PURCHASER'S EXCLUSIVE REMEDY FOR ANY DEFECT IN THE PRODUCT.** For further details of Henry's product warranty, see our website at www.henry.com/warranty.

STATEMENT OF RESPONSIBILITY

The technical and application information herein is based on the present state of our best scientific and practical knowledge. As the information herein is of a general nature, no assumption can be made as to a product's suitability for a particular use or application and no warranty as to its accuracy, reliability, or completeness either expressed or implied is given. The user is responsible for checking the suitability of products for their intended use. Henry Company data sheets are updated on a regular basis; it is the user's responsibility to obtain and to confirm the most recent version. Information contained in this data sheet may change without notice.

Physical Properties

Application Temperature 10°F to 104°F	Drying Time (Set through) 2 hours	Maximum VOS 3.75 lbs/gal
Color Blue	Flammability Wet - Flammable, Dry - Burns	Service Temperature, cured bead -40°F to 158°F
Drying Time (Initial set) 30 minutes	Maximum VOC 450 g/l	Solids By Weight 35%

Description

HE571 - BLUESKIN ADHESIVE is a quick drying, rubber-based adhesive designed to enhance the bond of self-adhering membranes. It is the surface preparation of choice on above and below grade applications where a quick setting, aggressive tack is required.

Usage

FOR INDUSTRIAL USE ONLY. Used as an adhesive of self-adhering membranes, such as Henry Blueskin® membranes, when applied to masonry, concrete, wood, gypsum board, and metal surfaces.

Coverage

Approximately 80 to 250 sq. ft. (7.4 to 23m sq.) per gallon

Surface Preparation

CLEAN: Surfaces must be dry and free from dust, dirt, grease, oil, or other foreign matter.

Application

Apply by brush, roller or spray. Rollers should have a heavy nap of natural material such as lamb's wool. Allow adhesive to dry for 30 minutes before applying membrane. Coated surfaces not covered during the working day must be recoated.

Precautions

DO NOT THIN. Avoid direct application on polystyrene materials. Use only in well ventilated areas. Keep away from flame. Material is extremely flammable. See precautions below. Avoid use where solvent odors may taint food or other susceptible products. When transporting this product, make sure the pail is secured and the lid is tight to prevent spills.

Children can fall into bucket and drown. Keep children away from bucket with even a small amount of liquid.

Cleanup

Equipment can be cleaned with biodegradable terpene solvent or mineral spirits. Use care in handling solvents. Clean hands with waterless hand cleaner.

Caution

Highly flammable liquid and vapor. Causes skin irritation. Causes serious eye irritation. May cause respiratory irritation. May cause drowsiness or dizziness.

Prevention: Keep away from heat, sparks, open flames, and hot surfaces. No smoking. Keep containers tightly closed. Use explosion-proof electrical/ventilating/lighting equipment. Use only non-sparking tools. Take precautionary measures against static discharge. Wash thoroughly after handling. Contaminated clothing should not be allowed out of the work place. Avoid breathing vapors, mists and sprays. Use only outdoors or in a well-ventilated area. Wear protective gloves and eye protection.

Response: In case of fire, use alcohol foam, carbon dioxide (CO₂), or dry chemical to extinguish. IF ON SKIN: Take off immediately all contaminated clothing. Wash with plenty of soap and water. If skin irritation occurs; Get medical advice or attention. Take off contaminated clothing and wash it before reuse. IF IN EYES: Rinse cautiously with water for several minutes. Remove contact lenses, if present and easy to do. Continue rinsing. If eye irritation persists: Get medical advice or attention. IF INHALED: Remove person to fresh air and keep comfortable for breathing. Call a POISON CENTER or doctor if you feel unwell.

Storage: Store locked up. Store in a well-ventilated place. Keep cool.

Disposal: Dispose of contents/containers in accordance with local/regional/national/international regulations.

See safety data sheet for further details regarding the safe use of this product.

KEEP OUT OF REACH OF CHILDREN.

FOR EXTERIOR USE ONLY.

WARNING: This product contains chemicals known to the State of California to cause cancer and/or birth defects or other reproductive harm.

Product Sizes

4.5 GAL/17 L w/SPOUT (40 lb)

Limited Warranty

We, the manufacturer, warrant only that this product is free of defects, since many factors which affect the results obtained from this product - such as weather, workmanship, equipment utilized and prior condition of the substrate - are all beyond our control. We will replace at no charge any product proved to have a material defect within 12 months of purchase, provided it has been applied in accordance with our written directions for uses we recommended as suitable for this product. Proof of purchase must be provided. **DISCLAIMER OF WARRANTIES AND LIMITATION OF LIABILITY: THIS LIMITED WARRANTY IS IN LIEU OF ANY OTHER WARRANTIES EXPRESS OR IMPLIED INCLUDING BUT NOT LIMITED TO ANY IMPLIED WARRANTY OF MERCHANTABILITY OR FITNESS FOR A PARTICULAR PURPOSE. MANUFACTURER SHALL HAVE NO LIABILITY OF ANY KIND BEYOND PRODUCT REPLACEMENT, INCLUDING FOR CONSEQUENTIAL OR INCIDENTAL DAMAGES RESULTING FROM ANY DEFECTS OR ANY DELAYS CAUSED BY REPLACEMENT OR OTHERWISE. IF PURCHASER DOES NOT ACCEPT THESE TERMS OF HENRY'S LIMITED WARRANTY, PURCHASER MAY RETURN ALL CONTAINERS OR PACKAGES OF PRODUCT PURCHASED FOR A FULL REFUND (PROVIDED THE CONTAINERS OR PACKAGING IS UNOPENED AND LESS SHIPPING CHARGES IF ANY) WITHIN 30-DAYS OF PURCHASE. RETENTION OF PRODUCT BEYOND 30-DAYS FROM PURCHASE, OR USE OF PRODUCT SHALL CONSTITUTE ACCEPTANCE OF HENRY'S LIMITED WARRANTY TERMS, CONDITIONS AND DISCLAIMERS. THIS LIMITED WARRANTY PROVIDES THE PURCHASER'S EXCLUSIVE REMEDY FOR ANY DEFECT IN THE PRODUCT.** For further details of Henry's product warranty, see our website at www.henry.com/warranty.



#1 CHOICE OF PROFESSIONALS®

TECHNICAL DATA SHEET

Aquatac™ Primer

Emulsion Primer for Self-Adhesive Membranes

Physical Properties

-Color	Aqua	-Drying Time	@ 50% R.H. 68°F Dry Substrate
-Solids by Volume	53% (approx.)	Initial Set	30 minutes
-Weight	8.3 lbs./gal (approx.)	Set Through	2 hours
-Application Temperature	25°F to 104°F	-Service Temperature	Minus 40°F to 150°F
-Coverage	Up to 500 ft ² /gal. depending on porosity and texture of surface.	-Flammability	
-Maximum VOC	50 g/l	Wet	Non-Flammable
		Dry	Burns

Description

Aquatac™ Primer is a polymer emulsion based primer for self-adhered membranes.

Features

- Quick drying.
- Highly tacky film provides positive adhesion to membrane.
- Non-flammable during application.
- Easily applied by spray, brush or roller.
- Water based, no solvent odors.
- Specially designed to provide a high level of tack on vertical surfaces.

Uses

Used as a primer for self-adhered membranes such as **Blueskin® WP 200** when applied to masonry, concrete, non-treated wood, drywall and metal.

Preparation

Surfaces must be dry and free from dust, dirt, grease, oil or other foreign matter.

Packaging

Aquatac is packaged in 5 gal. Pails.

Application

Apply by roller at a rate up to 500 sq. ft. per gallon depending on the porosity and texture of the surface and allow to dry. Airless, air assist, or air spray equipment may also be used. Not suitable for use with a garden type sprayer. Pour primer from container into sprayer and spray fine mist over entire substrate. Allow primer to dry thoroughly before applying membrane. Primed surfaces not covered by membrane during the same working day must be reprimed. **Aquatac™ Primer** is intended to be used as supplied and should not be diluted.

Precautions

Protect from freezing during shipping, storage and application. Apply under dry conditions above 25°F. Avoid freezing. Store product above 32°F. If frozen, allow to thaw at room temperature and mix prior to use.

Clean Up

For uncured film use water. Use mineral spirits for cured films.

Caution

In case of eye contact, open eyelids wide and flush immediately with plenty of water for at least 15 minutes. GET MEDICAL ATTENTION! Do not heat container or store at temperatures greater than 120°F (49°C). Close container after each use. DO NOT TAKE INTERNALLY! Use protective measures to avoid contact with eyes and skin. If swallowed, CALL PHYSICIAN IMMEDIATELY! In case of accidental injection by power spray equipment, GET MEDICAL ATTENTION IMMEDIATELY! Dispose of container and unused contents in accordance with Local, State and Federal regulations.

KEEP OUT OF REACH OF CHILDREN.

PROTECT FROM FREEZING.

FOR EXTERIOR USE ONLY.

Limited Warranty

We, the manufacturer, warrant only that this product is free of defects, since many factors which affect the results obtained from this product - such as weather, workmanship, equipment utilized and prior condition of the substrate - are all beyond our control. We will replace at no charge any product proved to be defective within 12 months of purchase, provided it has been applied in accordance with our written directions for uses we recommended as suitable for this product. Proof of purchase must be provided. **DISCLAIMER OF WARRANTIES AND LIMITATION OF LIABILITY: THIS LIMITED WARRANTY IS IN LIEU OF ANY OTHER WARRANTIES EXPRESS OR IMPLIED INCLUDING BUT NOT LIMITED TO ANY IMPLIED WARRANTY OF MERCHANTABILITY OR OF FITNESS FOR A PARTICULAR PURPOSE. MANUFACTURER SHALL HAVE NO LIABILITY OF ANY KIND BEYOND PRODUCT REPLACEMENT, INCLUDING FOR CONSEQUENTIAL OR INCIDENTAL DAMAGES RESULTING FROM ANY DEFECTS OR ANY DELAYS CAUSED BY REPLACEMENT OR OTHERWISE. THIS LIMITED WARRANTY PROVIDES THE PURCHASER'S EXCLUSIVE REMEDY FOR ANY DEFECT IN THE PRODUCT.**

Statement of Responsibility

The technical and application information herein is based on the present state of our best scientific and practical knowledge. As the information herein is of a general nature, no assumption can be made as to a product's suitability for a particular use or application and no warranty as to its accuracy, reliability or completeness either expressed or implied is given other than those required by law. The user is responsible for checking the suitability of products for their intended use. Henry Company data sheets are updated on a regular basis; it is the user's responsibility to obtain and to confirm the most recent version. Information contained in this data sheet may change without notice.



TECHNICAL DATA SHEET
Blueskin® Butyl Flash
Self-Adhered Flashing

Physical Property	Typical Value	Test Method
Color	White	-
Thickness, nominal	19 mils (0.48 mm)	-
Application Temperature, min	+25° F (-4° C)	-
Service Temperature	-40° F to +180° F (-40° C to +82° C)	-
Elongation, min	825%	ASTM D882
Tensile Strength, min	2500 psi (17237 kPa)	ASTM D882
Low Temperature Flexibility @ -7° C (20° F)	Pass	ASTM D1970
Nail Sealability	Pass	ASTM D1970

Description

Blueskin® Butyl Flash is a self-adhered flashing consisting of a synthetic butyl compound which is integrally laminated to a white engineered polypropylene film surface. It is specifically designed to be self-adhered to a prepared substrate.

Features

- Impermeable to air, moisture vapor and water
- Easy self-adhered application
- Self-sealing when punctured
- Excellent cold weather adhesion
- Highly flexible making installation easy

Usage

Blueskin® Butyl Flash is designed for use as a concealed self-adhered flashing against water, air and moisture infiltration. **Blueskin® Butyl Flash** is commonly used to provide a weather tight seal around fenestrations, joints in sheathing, and as a general flashing in residential and commercial construction.

Application

Surface Prep: Substrates should be dry and clean of oil, dust, excess mortar and sharp protrusions. Concrete surfaces must be cured a minimum of 14 days. Acceptable substrates are precast concrete, cast-in-place concrete, concrete block, primed steel, aluminum mill finish, anodized aluminum, galvanized metal, gypsum board and wood. For best adhesion onto Oriented Strand Board (OSB), install the panel with the smooth side out. Strike masonry joints flush. Concrete surfaces must be smooth and without large voids, spalled areas or sharp protrusions. Where curing compounds are used, they must be clear resin-based without oil, wax or pigments.

For best possible adhesion results or when applying to concrete or masonry, apply **Blueskin® Spray Prep** or **Aquatac™** primer and allow to thoroughly dry before **Blueskin® Butyl Flash** is applied. Coated surfaces not covered by flashing during the working day must be recoated.

Apply: Position **Blueskin® Butyl Flash** for alignment with release paper in place; roll back, peel away release paper and press firmly over substrate. Apply pressure along entire surface once in place to ensure a strong bond. The best method to ensure full contact is to roll entire surface with a countertop roller. Orient laps in shingle fashion to shed water with a minimum of 50 mm (2") on both side and end laps. When using membrane with brick ties, position flashing, press in place and cut for ties or projections.

Limitations: **Blueskin® Butyl Flash** is designed for exposure of up to 150 days, but is not designed for permanent exposure to ultra-violet light and should be covered as soon as practical after application. It is compatible with rigid PVC/vinyl membranes as well as many sealants. For best results, use **Henry® 925 BES Sealant** for general use or **Henry® 212 Crystal Clear Sealant** as a termination sealant. Solvent based sealants should never be covered until fully cured.

Blueskin® Butyl Flash is not compatible with EPDM, flexible PVC, or similarly plasticized vinyl membranes.

Blueskin® Butyl Flash Self-Adhered Flashing

Packaging

4" x 75' (10 cm x 23 m)
6" x 75' (15.2 cm x 23 m)
9" x 75' (22.8 cm x 23 m)
12" x 75' (30.5 cm x 23 m)

Storage

Store rolls on end, in original packaging. Protect from weather or store in an enclosed area not subject to heat over 120° F (49° C).

For more information, visit www.henry.com or for technical assistance call us at 800-486-1278. For more information on Henry's® product warranty and liability disclaimer please visit www.henry.com/warranty. Refer to the Safety Data Sheet prior to using this product. The Safety Data Sheet is available at www.henry.com or by emailing Henry® Product Support at productsupport@henry.com or by calling 800-486-1278.

Henry and Blueskin are registered trademarks of Henry Company

The technical and application information herein is based on the present state of our best scientific and practical knowledge. As the information herein is of a general nature, no assumption can be made as to a product's suitability for a particular use or application and no warranty as to its accuracy, reliability or completeness either expressed or implied is given other than those required by law. The user is responsible for checking the suitability of products for their intended use. Henry® Company data sheets are updated on a regular basis; it is the user's responsibility to obtain and to confirm the most recent version. Information contained in this data sheet may change without notice.



#1 CHOICE OF PROFESSIONALS®

Blueskin® TWF

Self-Adhesive Thru-Wall Flashing Membrane

Color	Yellow	Low Temperature Flex. at -22° F. (CGSB37-GP-56M)	Pass
Thickness	40 mils (1.0 mm)	Water Vapor Permeance (ASTM E96 Method B) -	0.03 perms (1.6 ng/Pa.s.m ²)
Application Temperature	Min. 20°F (-7°C)	Tear resistance Initiation (ASTM D1004) -	45 lbs. MD
Service Temperature	Minus 40°F to 212°F	Propagation (ASTM D1938)	17 lbs. MD
Elongation (ASTM D412 Die C)	200% minimum	Lap Peel Strength at 25° F. (ASTM D1876)	5.0 lbf/in. width
Tensile Strength (Membrane) (ASTM D412 Die C)	800 psi minimum	Adhesion to Concrete (ASTM D903) -	8.75 N/cm (5.0 lb/in.) width
Tensile Strength (Film) ASTM D882	5000 psi minimum	Moisture Absorption (ASTM D570-81)	0.1 %max.
Puncture Resistance - Membrane (ASTM E154)	134 lbf		
Watertightness (CAN/CGSB-37.58-M86)	Pass		

Thickness -	40 mils (1.0 mm)	-Gross Coverage	
Roll Length -	75 ft	36"	225 ft ²
Roll Widths -	36", 24", 18", 12" + custom widths available	24"	150 ft ²
Top Surface	Yellow, Cross-Laminated	18"	112.5 ft ²
-Bottom Surface	HDPE Siliconized Release Paper	12"	75 ft ²

Description

Blueskin® TWF is a self-adhered membrane consisting of an SBS rubberized asphalt compound which is integrally laminated to a tough, yellow cross-laminated polyethylene film. The membrane is specifically designed for use as a thru-wall flashing. Available in standard: 12", 18", 24" and 36" widths. Custom widths also available.

Features

- Impermeable to air, moisture vapor and water.
- Flexible at low temperatures.
- Excellent adhesion to prepared substrates.
- Excellent compatibility with **Henry** adhesives, waterproofing and liquid air barrier membranes.
- Exceptional puncture and abrasion resistance.
- Membrane is self-gasketing when penetrated with self-tapping screw

Uses

Used as a thru-wall flashing membrane in conjunction with **Henry** Air Barrier and Waterproofing Systems.

Limitations

Non-resistant to oils and solvents not designed for permanent exposure. Yellow surface film may release on extended exposure to U.V. Good practice calls for covering as soon as possible. Do not extend **Blueskin® TWF** beyond face of exterior wall or veneer. With exception of **Henry HE925 BES Sealant**: avoid sealant contact with the underside (compound side) of **Blueskin® TWF**. Apply under dry conditions when air and surface temperatures are above 25° F.

Top or leading edge of **Blueskin® TWF** should be sealed with a **HE925 BES Sealant** or **Polybitume® 570-05** to help avoid rainwater from migrating behind the membrane.

Not to be used in direct contact with flexible PVC/vinyl membranes or gaskets.

Some sealants other than **HE925 BES Sealant** may discolor if in contact with the asphalt compound or may soften the asphalt compound. Contact sealant manufacturer other than Henry for more information on compatibility with TWF.

Storage

Store rolls on end, in original cartons on pallets or elevated platform. Protect from weather or store in an enclosed area not subject to heat over 120° F.

Surface Preparation

Acceptable substrates are precast concrete, cast-in place concrete, concrete block, primed steel, aluminum mill finish, anodized aluminum, galvanized metal, gypsum board and wood. All surfaces to receive **Blueskin® TWF** must be clean of oil, dust and excess mortar. Strike masonry joints flush. Concrete surfaces must be smooth and without large voids, spalled areas or sharp protrusions. Concrete must be cured a minimum of 14 days and must be dry before **Blueskin® TWF** is applied.

Apply **Blueskin® Primer, Spray Prep or Aquatac™ Primer** by brush or roller at the rate of approximately 300 ft²/gal, depending on porosity and texture of surface and allow to dry for a minimum of 30 minutes before **Blueskin® TWF** is applied. Allow additional time for primer to set if wet to the touch or can be easily rubbed off. Ensure that all primed surfaces receive **Blueskin® TWF** in the same day or re-priming may be required.

Application

Material should be conditioned at room temperature for ease of application.

Cut the desired length of **Blueskin® TWF** and remove siliconized release paper. Position into place and apply positive pressure using a roller. Use care to avoid blisters or wrinkles. Overlap all joints by 2". Keep **Blueskin® TWF** back ½" to 1" from outside face of wall or veneer. At all laps, seams, penetrations, and along top edges of membrane apply a continuous bead of **HE925 BES Sealant** or **Polybitume** as termination seal. Form end dams as required with same sealant.

Limited Warranty

We, the manufacturer, warranty only that this product is free of defects, since many factors which affect the results obtained from this product - such as weather, workmanship, equipment utilized and prior condition of the substrate - are all beyond our control. We will replace at no charge any product proved to be defective within 12 months of purchase, provided it has been applied in accordance with our written directions for uses we recommended as suitable for this product. Proof of purchase must be provided. **DISCLAIMER OF WARRANTIES:** The Limited Warranty is IN LIEU OF any other warranties express or implied including but not limited to any implied warranty of MERCHANTABILITY or fitness for a particular purpose, and we, the manufacturer, shall have no further liability of any kind including liability for consequential or incidental damages resulting from any defects or any delays caused by replacement or otherwise. <>

Physical Properties

Air Leakage @ 75 Pa <0.02 L/(s m ²) (0.004 cfm/SF at 0.3" water)	Flow +230°F	Surfacing Aluminum foil laminate
Application Temperature 20°F min. See Application Section.	Low Temp Pliability @ -15°F (-26°C) No effect. ASTM D-146 (Modified)	Tensile Strength Film - PSI (N/mm ²) 5000 ASTM D-882 (Method A)
Color Metallic Aluminum	Maximum VOC/VOS 0 calculated	Thickness 45 mils (nominal)
Elongation-Ultimate Failure of Rubberized Asphalt >85% ASTM D-412 (Modified Die C)	Peel Adhesion to Primed Steel - lb/in.width (N/mm) 15.0 ASTM D-1000	Water Vapor Transmission US perms (g/Pa-s-m ²) .014 ASTM E-96 B

Description

HE200AM - METAL CLAD WEATHER BARRIER is a self-adhesive composite membrane of rubberized asphalt and dual-layers of high strength polyethylene with surface layer of metallic aluminum film. Supplied in various width rolls with removable release film, this self-adhered waterproofing and air barrier product exhibits excellent weathering resistance due to metallic surfacing as well as high adhesion to various substrates including: building penetrations, window openings, transitions, and roof surfaces. Commonly used in Building Envelope System® air barrier transition in conjunction with Air-Bloc® or Blueskin® membranes. Priming is required for maximum adhesion.

Advantages:

- Aluminum surfacing offers ideal substrate for adhesion of construction sealants
- UV and weather resistance due to metallic aluminum surfacing
- Excellent adhesion to primed surfaces
- Compatible with other Henry BES components
- Flexible for ease of penetration detailing
- 100% solids - No VOC's

Product meets Mass Energy Code for Air Leakage.

Usage

HE200AM - METAL CLAD WEATHER BARRIER is primarily designed for use as a self-adhered air, vapor and rain barrier sheet membrane. Its principal application is on walls of either masonry, concrete, plywood, OSB or exterior grade gypsum board sheathing. It is also used as a transition sheet in conjunction with Henry Liquid Membranes and tying into metal on curtain walls, windows and doorframes.

Surface Preparation

Acceptable substrates include precast and cast-in place concrete, CMU, steel, aluminum, galvanized metal, exterior grade gypsum board, OSB and plywood. All surfaces to receive this product must be dry, clean of oil, dust and excess mortar. Strike masonry joints flush. Concrete surfaces must be smooth and without large voids, spalled areas or sharp protrusions. Concrete must be cured a minimum of 14 days and must be dry before product is applied. Where curing compounds are used, they must be clear resin based, without oil, wax or pigments. All surfaces to receive Metal Clad require an application of Blueskin® Adhesive or Blueskin LVC applied by lambs wool roller, brush or spray at the rate of 85 to 250 sq. ft./gal. depending on porosity and texture of surface, and allowed to dry for 30 minutes before Metal Clad is applied. Ensure that all surfaces receive Metal Clad in the same day. For application temperatures above 40°F, Aquatac may be used at a rate up to 500 sq. ft./gallon. Allow to dry to a tacky film.

Application

If used in a Henry Air Barrier system, refer to Guide Specification for additional detailed systems application information.

HE200AM - METAL CLAD WEATHER BARRIER must be lapped a minimum of 2" on both sides and end laps. Position membrane for alignment; remove protective film and press firmly in place. Roll membrane, including seams, with a counter top roller to ensure full contact. When using membrane with brick ties, position membrane, press in place and cut for ties or projections. Seal around any openings and at leading edge at the end of the days work with Henry #925 BES Sealant, Henry 570-05 Polybitume, or Air-Bloc liquid membrane. Detail work must be carefully carried out to ensure continuous air tightness of the air barrier system.

Storage: Store rolls in original shipping containers until ready to use. Protect from water, high humidity, heat greater than 120°F, direct sunlight, and other contaminants that would inhibit adhesion. If below 40°F or exhibiting stiffness in handling, store in a warm room until product warms to workable condition.

Limitations: Not to be used in direct contact with flexible PVC/vinyl membranes or gaskets. Some sealants may discolor if in contact with the asphalt compound or may soften the asphalt compound. Contact sealant manufacturer for compatibility or more information.

Caution

KEEP OUT OF REACH OF CHILDREN!

Employers should obtain a copy of the Material Safety Data Sheet (MSDS) from your supplier or directly from Henry at the toll free number or website below.

Product Sizes

4IN X 33.5 FT ROLL (3.44 lb)	6IN X 33.5FT ROLL (5.17 lb)	9IN X 33.5FT ROLL (7.75 lb)
12IN X 33.5FT ROLL (10.33 lb)	18IN X 33.5 FT ROLL (15.5 lb)	36IN X 33.5FT ROLL (31 lb)

Limited Warranty

We, the manufacturer, warrant only that this product is free of defects, since many factors which affect the results obtained from this product - such as weather, workmanship, equipment utilized and prior condition of the substrate - are all beyond our control. We will replace at no charge any product proved to be defective within 12 months of purchase, provided it has been applied in accordance with our written directions for uses we recommended as suitable for this product. Proof of purchase must be provided. **DISCLAIMER OF WARRANTIES AND LIMITATION OF LIABILITY: THIS LIMITED WARRANTY IS IN LIEU OF ANY OTHER WARRANTIES EXPRESS OR IMPLIED INCLUDING BUT NOT LIMITED TO ANY IMPLIED WARRANTY OF MERCHANTABILITY OR FITNESS FOR A PARTICULAR PURPOSE. MANUFACTURER SHALL HAVE NO LIABILITY OF ANY KIND BEYOND PRODUCT REPLACEMENT, INCLUDING FOR CONSEQUENTIAL OR INCIDENTAL DAMAGES RESULTING FROM ANY DEFECTS OR ANY DELAYS CAUSED BY REPLACEMENT OR OTHERWISE. THIS LIMITED WARRANTY PROVIDES THE PURCHASER'S EXCLUSIVE REMEDY FOR ANY DEFECT IN THE PRODUCT.**

Physical Property	Typical Value	Test Method
Color	Blue	-
Application Temperature	20°F to +110°F (-7°C to +43°C)	-
Service Temperature	-40°F to +200°F (-40°C to +93°C)	-
Drying Time @ 50% R.H. 68°F (20°C)	Skin Time @ 25 mils (0.6 mm): 1-2 hours Cure Time @ 25 mils(0.6 mm): 24 hours	-
Elongation, min	264%	ASTM D412, modified
Tensile Strength, min	132 psi (910 kPa)	ASTM D412, modified
Crack Bridging	Pass	ASTM C1305
VOC Content, max	<25 g/L	-
Hardness, Shore A	30-35	ASTM C661
Corrosive Properties	Non-corrosive	-
Nail Sealability	Pass	AAMA 711
Asphalt Compatibility	Pass	AAMA 713
Low Temperature Flexibility @ -22°F (-30°C)	Pass	CGSB 37-GP-56M, ASTM D552
Water Vapor Permeance	12 mils: 22.9 perms 25 mils: 21.8 perms 40 mils: 10.6 perms	ASTM E96, Method B
Moisture Absorption	0.1%	ASTM D570-81
Water Resistance	Pass	AC212, ASTM D2247
Air Leakage @75 Pa	≤ 0.004 CFM/ft ² (≤ 0.02 L/[sm ²])	ASTM E2178
Adhesion	Peel after UV: >5 lbs/in (875 N/m) Peel after High Temp : >5 lbs/in (875 N/m) Peel after Water Immersion: >5 lbs/in (875 N/m) Peel after Thermal Cycling: >5 lbs/in (875 N/m)	AAMA 711
Flame Spread	20, Class A	ASTM E84
Smoke Developed	5, Class A	ASTM E84
Solids by Volume	95%	-

Description

Air-Bloc[®] LF is a moisture cure single-component elastomeric liquid-applied flashing using a highly advanced Silyl-Terminated Polyether (STPE) polymer. It is designed to cure through reaction with airborne moisture to provide a heavy-duty seamless rubber-like impervious membrane with excellent weathering and water resistance.

Features

- Fast curing, high solids and single component
- Low VOC, low odor
- Excellent compatibility with all Henry[®] air barriers and components, including rubberized asphalt
- Easy to install, no special equipment required

Usage

Air-Bloc[®] LF is designed for use as a concealed air barrier flashing to protect against air, water and moisture penetration around windows and doors for commercial and residential construction.

Application

Surface Prep: Substrates should be dry and clean of oil, dust, excess mortar and sharp protrusions, standing water and frost. Concrete surfaces must be cured a minimum of 14 days. Damp concrete is acceptable but must not be wet. Acceptable substrates are precast concrete, cast-in-place concrete, concrete block, primed steel, aluminum mill finish, anodized aluminum, galvanized metal, exterior-grade gypsum board, OSB and plywood. Strike masonry joints flush. Concrete surfaces must be smooth and without large voids, spalled areas or sharp protrusions. Where curing compounds are used, they must be clear resin based, without oil, wax

Air-Bloc® LF Liquid-Applied Flashing

or pigments.

Fill open joints, seams and cracks wider than 1/8" (3 mm) up to 1/2" (13 mm) with **925 BES Sealant** or **Air-Bloc® LF** prior to final application of **Air-Bloc® LF**.

Apply: Apply **Air-Bloc® LF** to substrate in a serpentine fashion using appropriate caulking gun and then spread using a trowel, joint knife or roller to achieve a monolithic membrane over the rough opening surfaces. Regularly monitor wet mil thickness during application to assure adequate coverage. **Air-Bloc® LF** can be applied in a single coat.

Spread uncured **Air-Bloc® LF** to cover the inside of the rough opening and extend a minimum of 4" (100 mm) over the surface of the exterior wall. If a continuous air barrier such as **Air-Bloc®** or **Blueskin®** air barriers are used over the exterior wall, overlap **Air-Bloc® LF** a minimum of 2" (50 mm) over adjacent membranes.

Coverage Rates: Apply per published architectural specifications. Typical application rates include:

- **Smooth Surfaces** such as exterior gypsum sheathing or formed concrete: 10 ft² (0.9 m²) per 20 oz (0.6 L) sausage to give a wet film thickness of 25 mils (0.6 mm)
- **Rough Surfaces** such as CMU: 6 ft² (0.6 m²) per 20 oz (0.6 L) sausage to give a wet film thickness of 40 mils (1 mm)

		Coverage (Linear Feet)					
		Wet Film Thickness (mils)					
		15	20	25	30	35	40
Width (inches)	1	201	150	120	100	86	75
	2	100	75	60	50	43	38
	3	67	50	40	33	29	25
	4	50	38	30	25	21	19
	5	40	30	24	20	17	15
	6	33	25	20	17	14	13
	12	17	13	10	8	7	6

Per 20 oz. (0.6L) sausages

		Coverage (Linear Meters)					
		Wet Film Thickness (mils)					
		15	20	25	30	35	40
Width (cm)	2.5	61.1	45.8	36.7	30.6	26.2	22.9
	5	30.6	22.9	18.3	15.3	13.1	11.5
	7.5	20.4	15.3	12.2	10.2	8.7	7.6
	10	15.3	11.5	9.2	7.6	6.5	5.7
	12.7	12.2	9.2	7.3	6.1	5.2	4.6
	15	10.2	7.6	6.1	5.1	4.4	3.8
	100	1.6	1.2	0.9	0.8	0.7	0.6

Per 20 oz. (0.6L) sausages

The above reference chart is based on theoretical coverage calculations for a smooth surface. Rough surfaces can reduce coverage rates significantly depending on texture and porosity of surface.

Limitations: **Air-Bloc® LF** can be exposed for up to 6 months but is not designed for permanent exposure to ultra-violet light and should be covered as soon as practical after application. Application at temperatures below 40°F (4°C) will slow curing. In low humidity conditions, curing may be aided by lightly misting **Air-Bloc® LF** with water.

Many silicone sealants show excellent adhesion to **Air-Bloc® LF**. Contact the sealant manufacturer for more information.

Packaging

20 oz (0.6 L) sausages

Storage

Shelf life of **Air-Bloc® LF** is 12 months in unopened containers when stored in dry conditions. Protect from weather or store in an enclosed area not subject to heat over 80°F (27°C). Packaging should always be kept sealed when not in use.

For more information, visit www.henry.com or for technical assistance call us at 800-486-1278. For more information on Henry's® product warranty and liability disclaimer please visit www.henry.com/warranty. Refer to the Safety Data Sheet prior to using this product. The Safety Data Sheet is available at www.henry.com or by emailing Henry® Product Support at productsupport@henry.com or by calling 800-486-1278.

® Henry and Air-Bloc are registered trademarks of Henry Company

The technical and application information herein is based on the present state of our best scientific and practical knowledge. As the information herein is of a general nature, no assumption can be made as to a product's suitability for a particular use or application and no warranty as to its accuracy, reliability or completeness either expressed or implied is given other than those required by law. The user is responsible for checking the suitability of products for their intended use. Henry® Company data sheets are updated on a regular basis; it is the user's responsibility to obtain and to confirm the most recent version. Information contained in this data sheet may change without notice.



TECHNICAL DATA SHEET
Blueskin[®] SA LT
Self-Adhered Water Resistive Air Barrier

Physical Property	Typical Value	Test Method
Color	Blue	-
Thickness, nominal	40 mils (1.0 mm)	-
Application Temperature, minimum	10°F (-12°C)	-
Service Temperature	-40°F to 158°F (-40°C to 70°C)	-
Water Vapor Permeance	0.03 Perms	ASTM E96, Method A
Water Vapor Permeance	0.08 Perms	ASTM E96, Method B
Elongation, min	200% minimum	ASTM D412, modified
Tensile Strength, minimum	500 psi minimum	ASTM D412, modified
Puncture Resistance, minimum	40 lbf (178 N)	ASTM E154
Watertightness	Pass	CAN/CGSB-37.58-M86
Nail Sealability	Pass	ASTM D1970
Low Temperature Flexibility @ -22°F (-30°C)	Pass	CGSB 37-GP-56M
Lap Peel Strength @ 39°F (4°C)	25.0 lbf/in (> 4378.4 N/m)	ASTM D903, 180° bend
Water Absorption	0.1%	ASTM D570
Air Leakage @ 75 Pa	0.0002 cfm/ft ² (0.0011 L/s.m. ²)	ASTM E2178
Air Leakage After 3000 Pa Test	No Change	ASTM E330-90
Assembly Air Leakage @ 75 Pa	0.0039 cfm/ft ² (0.0195 L/s.m. ²) - Pass	ASTM E2357, CAN/ULC-S741-08
Air Leakage Rate	Classification A1	CAN/ULC-S742-11
Crack Bridging	Pass	ASTM C1305
Fire Testing	Complies in various wall assemblies	NFPA 285

Description

Blueskin[®] SA LT is a self-adhered water resistive air barrier consisting of an SBS rubberized asphalt compound, which is integrally laminated to a blue engineered thermoplastic film surface. It is specifically designed to be self-adhered to a prepared substrate providing an air, vapor and water resistive barrier in full wall applications or as penetration/flashing membrane with other air barrier systems. **Blueskin[®] SA LT** is designed for application at low temperatures.

Features

- Flexible at low temperatures
- Impermeable to air, moisture vapor and water
- Compatible with Henry[®] **Air-Bloc[®]** fluid applied air barriers
- Self-gasketing when penetrated and under compression with self-tapping screws

Usage

Blueskin[®] SA LT is designed for use as a self-adhered air, vapor and water resistive barrier. It can also be used as a transition sheet in conjunction with Henry[®] **Air-Bloc[®]** fluid applied air barriers where greater movement is anticipated due to its high strength. **Blueskin[®] SA LT** is also used for tying into metal on curtain walls, windows and doorframes.

Application

Surface Prep: All surfaces to receive **Blueskin[®] SA LT** must be clean of oil, dust and excess mortar. Acceptable substrates are exterior-grade gypsum sheathing, plywood, OSB, precast or cast-in-place concrete, concrete block, primed steel, aluminum mill finish, anodized aluminum and galvanized metal. Strike masonry joints flush. Concrete surfaces must be smooth and without large voids, spalled areas or sharp protrusions. Concrete must be cured a minimum of 14 days and must be dry before **Blueskin[®] SA LT** is applied. Where curing compounds are used, they must be clear resin based, without oil, wax or pigments.

Blueskin® SA LT Self-Adhered Water Resistive Air Barrier

All surfaces to receive **Blueskin® SA LT** require an application of **Blueskin® Adhesive**, **Blueskin® LVC Adhesive** or **Aquatac™ Primer** allowed to dry to a tacky film before **Blueskin® SA LT** is applied. Coated surfaces not covered by membrane during the working day must be recoated. Availability may vary by region.

Apply: Position **Blueskin® SA LT** for alignment and remove release film and press firmly in place. Roll membrane, including seams, with a countertop roller to ensure full contact once in place. Membrane must be rolled after application to ensure adhesion to substrate and laps. **Blueskin® SA LT** must be lapped a minimum of 2" (50 mm) on both sides and end laps. When using with brick ties, position, press in place and cut for ties or projections. Seal around any openings and at leading edge at the end of the workday with **925 BES Sealant**, **Air-Bloc® 21** or **Air-Bloc® 21FR**. Detail work must be carefully carried out to ensure continuous air tightness of the membrane. It is recommended that mechanical attachment be made to all window and doorframes, or a properly designed sealant joint be provided.

Membrane applied to the underside of the substrate (i.e. ceilings) and extending more than 6 inches (152 mm) onto inverted surfaces requires mechanical fastening through treated wood or galvanized metal strapping, or have insulation mechanically fastened. Fastening must take place immediately after installation of the membrane. Space strapping on 18" (457 mm) centers, running perpendicular to the side laps.

Insulation Application: The use of mechanical fasteners through **Blueskin® SA LT** along changes in plane, such as inside corners, may be required by some insulation manufacturers. Consult insulation manufacturer prior to installation of insulation.

- **Insulation Clips:** Insulation clips should be mechanically fastened through the membrane into the substrate with a self-tapping screw. Apply number of insulation clips as recommended by the insulation manufacturer.
- **Insulation Adhesive:** **Air-Bloc® 21** or **Air-Bloc® 21FR** should be applied to insulation boards in a serpentine pattern to restrict movement of air behind the insulation. Alternatively, a full coat notched trowel application may be applied to the back of the board. Press insulation firmly in place.

Limitations: **Blueskin® SA LT** is designed for exposure up to 90 days if necessary to accommodate construction scheduling, but is not designed for permanent exposure to ultraviolet light and should be covered as soon as practical after application. It is not to be used in direct contact with flexible PVC/vinyl membranes or gaskets. Consult the PVC/vinyl window manufacturer for compatibility.

Packaging

48" x 75' (1.22m x 22.86m)
36" x 75' (914mm x 22.86m)
18" x 75' (457mm x 22.86m)
12" x 75' (300mm x 22.86m)
9" x 75' (225mm x 22.86m)
6" x 75' (150mm x 22.86m)
4" x 75' (100mm x 22.86m)

Storage

Store rolls on end, on original pallets or elevated platform. Protect from weather or store in an enclosed area not subject to heat over 120°F (49°C). Double stacked pallets are not recommended. If double stacking is necessary, use a plywood sheet to distribute the load.

For more information, visit www.henry.com or for technical assistance call us at 800-486-1278. For more information on Henry's® product warranty and liability disclaimer please visit www.henry.com/warranty. Refer to the Safety Data Sheet prior to using this product. The Safety Data Sheet is available at www.henry.com or by emailing Henry® Product Support at productsupport@henry.com or by calling 800-486-1278.

© Henry, Blueskin and Air-Bloc are registered trademarks of Henry Company.

The technical and application information herein is based on the present state of our best scientific and practical knowledge. As the information herein is of a general nature, no assumption can be made as to a product's suitability for a particular use or application and no warranty as to its accuracy, reliability or completeness either expressed or implied is given other than those required by law. The user is responsible for checking the suitability of products for their intended use. Henry® Company data sheets are updated on a regular basis; it is the user's responsibility to obtain and to confirm the most recent version. Information contained in this data sheet may change without notice.



Physical Property	Typical Value	Test Method
Color	Blue	-
Thickness, nominal	40 mils (1.0 mm)	-
Application Temperature, minimum	41°F (5°C)	-
Service Temperature	-40°F to 158°F (-40°C to 70°C)	-
Water Vapor Permeance	0.03 Perms	ASTM E96, Method A
Water Vapor Permeance	0.08 Perms	ASTM E96, Method B
Elongation, minimum	200%	ASTM D412, modified
Tensile Strength, minimum	500 psi	ASTM D412, modified
Puncture Resistance, minimum	40 lbf (178 N)	ASTM E154
Watertightness	Pass	CAN/CGSB-37.58-M86
Nail Sealability	Pass	ASTM D1970
Low Temperature Flexibility @ -22°F (-30°C)	Pass	CGSB 37-GP-56M
Lap Peel Strength @ 39°F (4°C)	25.0 lbf/in (> 4378.4 N/m)	ASTM D903, 180° bend
Water Absorption	0.1%	ASTM D570
Air Leakage @ 75 Pa	0.0002 cfm/ft ² (0.0011 L/s.m. ²)	ASTM E2178
Air Leakage After 3000 Pa Test	No Change	ASTM E330-90
Assembly Air Leakage @ 75 Pa	0.0039 cfm/ft ² (0.0195 L/s.m. ²) - Pass	ASTM E2357, CAN/ULC-S741-08
Air Leakage Rate	Classification A1	CAN/ULC-S742-11
Crack Bridging	Pass	ASTM C1305
Fire Testing	Complies in various wall assemblies	NFPA 285

Description

Blueskin[®] SA is a self-adhered water resistive air barrier consisting of an SBS rubberized asphalt compound, which is integrally laminated to a blue engineered thermoplastic film surface. It is specifically designed to be self-adhered to a prepared substrate providing an air, vapor and water resistive barrier in full wall applications or as penetration/flashing membrane with other air barrier systems.

Features

- Flexible at low temperatures
- Impermeable to air, moisture vapor and water
- Compatible with Henry[®] **Air-Bloc[®]** fluid applied air barriers
- Self-gasketing when penetrated and under compression with self-tapping screws

Usage

Blueskin[®] SA is designed for use as a self-adhered air, vapor and water resistive barrier. It can also be used as a transition sheet in conjunction with Henry[®] **Air-Bloc[®]** fluid applied air barriers where greater movement is anticipated due to its high strength. **Blueskin[®] SA** is also used for tying into metal on curtain walls, windows and doorframes.

Application

Surface Prep: All surfaces to receive **Blueskin[®] SA** must be clean of oil, dust and excess mortar. Acceptable substrates are exterior-grade gypsum sheathing, plywood, OSB, precast or cast-in-place concrete, concrete block, primed steel, aluminum mill finish, anodized aluminum and galvanized metal. Strike masonry joints flush. Concrete surfaces must be smooth and without large voids, spalled areas or sharp protrusions. Concrete must be cured a minimum of 14 days and must be dry before **Blueskin[®] SA** is applied. Where curing compounds are used, they must be clear resin based, without oil, wax or pigments.

Blueskin® SA Self-Adhered Water Resistive Air Barrier

All surfaces to receive **Blueskin® SA** require an application of **Blueskin® Adhesive**, **Blueskin® LVC Adhesive** or **Aquatac™ Primer** allowed to dry to a tacky film before **Blueskin® SA** is applied. Coated surfaces not covered by membrane during the working day must be recoated. Availability may vary by region.

Apply: Position **Blueskin® SA** for alignment and remove release film and press firmly in place. Roll membrane, including seams, with a countertop roller to ensure full contact once in place. Membrane must be rolled after application to ensure adhesion to substrate and laps. **Blueskin® SA** must be lapped a minimum of 2" (50 mm) on both sides and end laps. When using with brick ties, position, press in place and cut for ties or projections. Seal around any openings and at leading edge at the end of the workday with **925 BES Sealant**, **Air-Bloc® 21** or **Air-Bloc® 21FR**. Detail work must be carefully carried out to ensure continuous air tightness of the membrane. It is recommended that mechanical attachment be made to all window and doorframes, or a properly designed sealant joint be provided.

Membrane applied to the underside of the substrate (i.e. ceilings) and extending more than 6 inches (152 mm) onto inverted surfaces requires mechanical fastening through treated wood or galvanized metal strapping, or have insulation mechanically fastened. Fastening must take place immediately after installation of the membrane. Space strapping on 18" (457 mm) centers, running perpendicular to the side laps.

Insulation Application: The use of mechanical fasteners through **Blueskin® SA** along changes in plane, such as inside corners, may be required by some insulation manufacturers. Consult insulation manufacturer prior to installation of insulation.

- **Insulation Clips:** Insulation clips should be mechanically fastened through the membrane into the substrate with a self-tapping screw. Apply number of insulation clips as recommended by the insulation manufacturer.
- **Insulation Adhesive: Air-Bloc® 21** or **Air-Bloc® 21FR** should be applied to insulation boards in a serpentine pattern to restrict movement of air behind the insulation. Alternatively, a full coat notched trowel application may be applied to the back of the board. Press insulation firmly in place.

Limitations: Blueskin® SA is designed for exposure up to 90 days if necessary to accommodate construction scheduling, but is not designed for permanent exposure to ultraviolet light and should be covered as soon as practical after application. It is not to be used in direct contact with flexible PVC/vinyl membranes or gaskets. Consult the PVC/vinyl window manufacturer for compatibility.

Packaging

48" x 75' (1.22m x 22.86m)
36" x 75' (914mm x 22.86m)
18" x 75' (457mm x 22.86m)
12" x 75' (300mm x 22.86m)
9" x 75' (225mm x 22.86m)
6" x 75' (150mm x 22.86m)
4" x 75' (100mm x 22.86m)

Storage

Store rolls on end, on original pallets or elevated platform. Protect from weather or store in an enclosed area not subject to heat over 120°F (49°C). Double stacked pallets are not recommended. If double stacking is necessary, use a plywood sheet to distribute the load.

For more information, visit www.henry.com or for technical assistance call us at 800-486-1278. For more information on Henry's® product warranty and liability disclaimer please visit www.henry.com/warranty. Refer to the Safety Data Sheet prior to using this product. The Safety Data Sheet is available at www.henry.com or by emailing Henry® Product Support at productsupport@henry.com or by calling 800-486-1278.

© Henry, Blueskin and Air-Bloc are registered trademarks of Henry Company.

The technical and application information herein is based on the present state of our best scientific and practical knowledge. As the information herein is of a general nature, no assumption can be made as to a product's suitability for a particular use or application and no warranty as to its accuracy, reliability or completeness either expressed or implied is given other than those required by law. The user is responsible for checking the suitability of products for their intended use. Henry® Company data sheets are updated on a regular basis; it is the user's responsibility to obtain and to confirm the most recent version. Information contained in this data sheet may change without notice.



SAFETY DATA SHEET

Issue Date 23-Apr-2019

Revision Date 23-Apr-2019

Version 2

1. IDENTIFICATION

Product identifier

Product Name Air-Bloc® All Weather STPE

Other means of identification

Product Code HE029

Synonyms None

Recommended use of the chemical and restrictions on use

Recommended Use Adhesives and/or sealants

Uses advised against No information available

Details of the supplier of the safety data sheet

Supplier Address

HENRY COMPANY
15 Wallsend Dr.
Scarborough, ON M1E 3X6
Canada
Web Site: www.henry.com
www.ca.henry.com

Manufacturer Address

HENRY COMPANY
999 N. Pacific Coast Hwy., Suite 800
El Segundo, CA 90245-2716
Web Site: www.henry.com www.ca.henry.com

Emergency telephone number

Company Phone Number 800-486-1278

Emergency Telephone US and Canada only (toll-free) : 3E Company - 1-866-519-4752 (access code 334832)
US/Canada, all other countries: 3E Company - +1-760-476-3962 (access code 334832)
Mexico (additional contact option): 3E Company - +52 55 41696225 (Code 334832)

2. HAZARDS IDENTIFICATION

Classification

OSHA Regulatory Status

This chemical is considered hazardous by the 2012 OSHA Hazard Communication Standard (29 CFR 1910.1200) and Canadian Workplace Hazardous Material Information System (WHMIS)

Skin corrosion/irritation	Category 2
Serious eye damage/eye irritation	Category 2A
Specific target organ toxicity (single exposure)	Category 3

Label elements

Emergency Overview

Warning

Hazard statements

Causes skin irritation
Causes serious eye irritation
May cause respiratory irritation

**Appearance** viscous**Physical state** liquid**Odor** Slight**Precautionary Statements - Prevention**

Wash face, hands and any exposed skin thoroughly after handling
 Wear protective gloves/protective clothing/eye protection/face protection
 Avoid breathing dust/fume/gas/mist/vapors/spray
 Use only outdoors or in a well-ventilated area

Precautionary Statements - Response

IF IN EYES: Rinse cautiously with water for several minutes. Remove contact lenses, if present and easy to do. Continue rinsing
 If eye irritation persists: Get medical advice/attention
 IF ON SKIN: Wash with plenty of soap and water
 If skin irritation occurs: Get medical advice/attention
 Take off contaminated clothing and wash before reuse
 IF INHALED: Remove victim to fresh air and keep at rest in a position comfortable for breathing
 Call a POISON CENTER or doctor/physician if you feel unwell

Precautionary Statements - Storage

Store in a well-ventilated place. Keep container tightly closed
 Store locked up

Precautionary Statements - Disposal

Dispose of contents/container to an approved waste disposal plant

Hazards not otherwise classified (HNOC)

Not applicable

Other Information

May be harmful in contact with skin.

Unknown acute toxicity

15.7% of the mixture consists of ingredient(s) of unknown toxicity

3. COMPOSITION/INFORMATION ON INGREDIENTS

Substance

Not applicable

Mixture

Chemical Name	CAS No	Weight-%
Limestone *	1317-65-3	30 - 60
Silyl-terminated Polyether *	Proprietary	10 - 30
Polyether diol *	Proprietary	10 - 30
Adhesion promoters *	Proprietary	1 - 5
Carbon black *	1333-86-4	0.1 - 1

*The exact percentage (concentration) of composition has been withheld as a trade secret. If CAS number is "proprietary", the specific chemical identity and percentage of composition has been withheld as a trade secret.

4. FIRST AID MEASURES

Description of first aid measures

General advice	In case of accident or unwellness, seek medical advice immediately (show directions for use or safety data sheet if possible). If symptoms persist, call a physician.
Eye contact	Keep eye wide open while rinsing. Immediately flush with plenty of water. After initial flushing, remove any contact lenses and continue flushing for at least 15 minutes. If symptoms persist, call a physician.
Skin contact	Wash off immediately with soap and plenty of water while removing all contaminated clothes and shoes. If symptoms persist, call a physician. Wash contaminated clothing before reuse.
Inhalation	Remove to fresh air. If breathing is irregular or stopped, administer artificial respiration. Avoid direct contact with skin. Use barrier to give mouth-to-mouth resuscitation. If symptoms persist, call a physician.
Ingestion	Call a physician or poison control center immediately. Do not induce vomiting without medical advice. Rinse mouth. Never give anything by mouth to an unconscious person.
Self-protection of the first aider	Use personal protective equipment as required.

Most important symptoms and effects, both acute and delayed

Symptoms	May cause redness and tearing of the eyes. Coughing and/ or wheezing. May cause skin irritation.
-----------------	--

Indication of any immediate medical attention and special treatment needed

Note to physicians	Treat symptomatically.
---------------------------	------------------------

5. FIRE-FIGHTING MEASURES**Suitable extinguishing media**

Use extinguishing measures that are appropriate to local circumstances and the surrounding environment. Dry chemical, CO₂, sand, earth, water spray or regular foam.

Unsuitable extinguishing media Do not use a solid water stream as it may scatter and spread fire.

Specific hazards arising from the chemical

Thermal decomposition can lead to release of irritating and toxic gases and vapors.

Explosion data

Sensitivity to Mechanical Impact None.

Sensitivity to Static Discharge None.

Protective equipment and precautions for firefighters

As in any fire, wear self-contained breathing apparatus pressure-demand, MSHA/NIOSH (approved or equivalent) and full protective gear.

6. ACCIDENTAL RELEASE MEASURES**Personal precautions, protective equipment and emergency procedures**

Personal precautions	Ensure adequate ventilation, especially in confined areas. Use personal protective equipment as required.
-----------------------------	---

Environmental precautions

Environmental precautions	See Section 12 for additional ecological information.
----------------------------------	---

Methods and material for containment and cleaning up

Methods for containment Prevent further leakage or spillage if safe to do so.

Methods for cleaning up Use personal protective equipment as required. Soak up with inert absorbent material (e.g. sand, silica gel, acid binder, universal binder, sawdust). Take up mechanically, placing in appropriate containers for disposal.

7. HANDLING AND STORAGE**Precautions for safe handling**

Advice on safe handling Ensure adequate ventilation, especially in confined areas. Handle in accordance with good industrial hygiene and safety practice. Use personal protective equipment as required. Avoid contact with skin, eyes or clothing. Wash contaminated clothing before reuse.

Conditions for safe storage, including any incompatibilities

Storage Conditions Keep container tightly closed in a dry and well-ventilated place. Keep in properly labeled containers.

Incompatible materials Strong oxidizing agents. Strong acids. Strong bases.

8. EXPOSURE CONTROLS/PERSONAL PROTECTION**Control parameters****Exposure Guidelines**

Chemical Name	ACGIH TLV	OSHA PEL	NIOSH IDLH
Limestone 1317-65-3	-	TWA: 15 mg/m ³ total dust TWA: 5 mg/m ³ respirable fraction	TWA: 10 mg/m ³ total dust TWA: 5 mg/m ³ respirable dust
Carbon black 1333-86-4	TWA: 3 mg/m ³ inhalable particulate matter	TWA: 3.5 mg/m ³	IDLH: 1750 mg/m ³ TWA: 3.5 mg/m ³ TWA: 0.1 mg/m ³ Carbon black in presence of Polycyclic aromatic hydrocarbons PAH

NIOSH IDLH Immediately Dangerous to Life or Health

Appropriate engineering controls

Engineering Controls Showers
Eyewash stations
Ventilation systems.

Individual protection measures, such as personal protective equipment

Eye/face protection Wear safety glasses with side shields (or goggles).

Skin and body protection Wear protective gloves and protective clothing.

Respiratory protection If exposure limits are exceeded or irritation is experienced, NIOSH/MSHA approved respiratory protection should be worn. Positive-pressure supplied air respirators may be required for high airborne contaminant concentrations. Respiratory protection must be provided in accordance with current local regulations.

General Hygiene Considerations Handle in accordance with good industrial hygiene and safety practice.

9. PHYSICAL AND CHEMICAL PROPERTIES**Information on basic physical and chemical properties**

Physical state liquid

Appearance	viscous	Odor	Slight
Color	black	Odor threshold	No information available
Property	Values	Remarks • Method	
pH	6-10		
Melting point / freezing point	No information available		
Boiling point / boiling range	> 100 °C / 212 °F		
Flash point	> 100 °C / 212 °F	Tag Closed Cup	
Evaporation rate	No information available		
Flammability (solid, gas)	No information available		
Flammability Limit in Air			
Upper flammability limit:	No information available		
Lower flammability limit:	No information available		
Vapor pressure	No information available		
Vapor density	No information available		
Relative density	1.0 - 1.2		
Water solubility	dispersible		
Solubility in other solvents	No information available		
Partition coefficient	No information available		
Autoignition temperature	No information available		
Decomposition temperature	No information available		
Kinematic viscosity	> 100 mm ² /s	@ 40 °C	
Dynamic viscosity	No information available		
Explosive properties	Not an explosive		
Oxidizing properties	Not applicable		

Other Information

Softening point	No information available
Molecular weight	No information available
VOC Content (%)	No information available
Density	No information available
Bulk density	No information available

10. STABILITY AND REACTIVITY

Reactivity

No data available

Chemical stability

Stable under recommended storage conditions.

Possibility of Hazardous Reactions

None under normal processing.

Conditions to avoid

elevated temperature. Incompatible materials.

Incompatible materials

Strong oxidizing agents. Strong acids. Strong bases.

Hazardous Decomposition Products

Thermal decomposition can lead to release of irritating and toxic gases and vapors.

11. TOXICOLOGICAL INFORMATION

Information on likely routes of exposure**Product Information**

Inhalation	May cause irritation of respiratory tract.
Eye contact	Severely irritating to eyes.
Skin contact	Irritating to skin.

Ingestion

Based on available data, the classification criteria are not met.

Chemical Name	Oral LD50	Dermal LD50	Inhalation LC50
Polyether diol	= 3750 mg/kg (Rat) > 2 g/kg (Rat)	-	-
Adhesion promoters	= 2413 mg/kg (Rat) = 7460 µL/kg (Rat)	-	-
Carbon black 1333-86-4	> 15400 mg/kg (Rat)	> 3 g/kg (Rabbit)	-

Information on toxicological effects**Symptoms**

May cause redness and tearing of the eyes. Coughing and/ or wheezing. May cause skin irritation.

Delayed and immediate effects as well as chronic effects from short and long-term exposure**Sensitization**

Based on available data, the classification criteria are not met.

Germ cell mutagenicity

Based on available data, the classification criteria are not met.

Carcinogenicity

This product contains carbon black which is classified as a possible carcinogen when present as respirable dust. This is not relevant for this product since it is not in a respirable form. The table below indicates whether each agency has listed any ingredient as a carcinogen.

Chemical Name	ACGIH	IARC	NTP	OSHA
Carbon black 1333-86-4	A3	Group 2B	-	X

ACGIH (American Conference of Governmental Industrial Hygienists)

A3 - Animal Carcinogen

IARC (International Agency for Research on Cancer)

Group 2B - Possibly Carcinogenic to Humans

OSHA (Occupational Safety and Health Administration of the US Department of Labor)

X - Present

Reproductive toxicity

Based on available data, the classification criteria are not met.

STOT - single exposure

Target Organs. Respiratory system. Eyes. Skin.

STOT - repeated exposure

Based on available data, the classification criteria are not met.

Target Organ Effects

Eyes, Respiratory system, Skin, lungs, Lymphatic System.

Aspiration hazard

Based on available data, the classification criteria are not met.

Numerical measures of toxicity - Product Information

The following values are calculated based on chapter 3.1 of the GHS document .

ATEmix (oral) 7,823.00 mg/kg

ATEmix (dermal) 3,158.00 mg/kg

12. ECOLOGICAL INFORMATION**Ecotoxicity**

None known

15.7 % of the mixture consists of component(s) of unknown hazards to the aquatic environment

Chemical Name	Algae/aquatic plants	Fish	Crustacea
Carbon black 1333-86-4	-	-	5600: 24 h Daphnia magna mg/L EC50

Persistence and degradability

No information available.

Bioaccumulation

No information available.

Other adverse effects

No information available

13. DISPOSAL CONSIDERATIONS

Waste treatment methods

Disposal of wastes	Disposal should be in accordance with applicable regional, national and local laws and regulations.
Contaminated packaging	Do not reuse container.

14. TRANSPORT INFORMATION

DOT	Not regulated
TDG	Not regulated
IATA	Not regulated
IMDG	Not regulated

15. REGULATORY INFORMATION

International Inventories

TSCA	Complies
DSL/NDSL	Complies
EINECS/ELINCS	Complies
IECSC	Complies
KECL	Complies
PICCS	Complies
AICS	Complies

Legend:

TSCA - United States Toxic Substances Control Act Section 8(b) Inventory
DSL/NDSL - Canadian Domestic Substances List/Non-Domestic Substances List
EINECS/ELINCS - European Inventory of Existing Chemical Substances/European List of Notified Chemical Substances
ENCS - Japan Existing and New Chemical Substances
IECSC - China Inventory of Existing Chemical Substances
KECL - Korean Existing and Evaluated Chemical Substances
PICCS - Philippines Inventory of Chemicals and Chemical Substances
AICS - Australian Inventory of Chemical Substances

US Federal Regulations

SARA 313

Section 313 of Title III of the Superfund Amendments and Reauthorization Act of 1986 (SARA). This product does not contain any chemicals which are subject to the reporting requirements of the Act and Title 40 of the Code of Federal Regulations, Part 372

SARA 311/312 Hazard Categories

Acute health hazard	Yes
Chronic Health Hazard	No
Fire hazard	No
Sudden release of pressure hazard	No
Reactive Hazard	No

CWA (Clean Water Act)

This product does not contain any substances regulated as pollutants pursuant to the Clean Water Act (40 CFR 122.21 and 40 CFR 122.42)

CERCLA

This material, as supplied, does not contain any substances regulated as hazardous substances under the Comprehensive Environmental Response Compensation and Liability Act (CERCLA) (40 CFR 302) or the Superfund Amendments and

Reauthorization Act (SARA) (40 CFR 355). There may be specific reporting requirements at the local, regional, or state level pertaining to releases of this material

US State Regulations

California Proposition 65

This product contains carbon black which is classified as a possible carcinogen when present as respirable dust. This is not relevant for this product since it is not in a respirable form This product contains crystalline silica (quartz) in a non-respirable form. Inhalation of crystalline silica is unlikely to occur from exposure to this product

Chemical Name	California Proposition 65
Carbon black - 1333-86-4	Carcinogen
Quartz - 14808-60-7	Carcinogen

U.S. State Right-to-Know Regulations

Chemical Name	New Jersey	Massachusetts	Pennsylvania
Limestone 1317-65-3	X	X	X
Carbon black 1333-86-4	X	X	X
Quartz 14808-60-7	X	X	X

U.S. EPA Label Information

EPA Pesticide Registration Number Not applicable

16. OTHER INFORMATION, INCLUDING DATE OF PREPARATION OF THE LAST REVISION

NFPA	Health hazards 2	Flammability 1	Instability 0	Physical and Chemical Properties - Personal protection X
HMIS	Health hazards 2	Flammability 1	Physical hazards 0	

Issue Date 23-Apr-2019

Revision Date 23-Apr-2019

Revision Note

No information available

Disclaimer

The information provided in this Material Safety Data Sheet is correct to the best of our knowledge, information and belief at the date of its publication. The information given is designed only as a guidance for safe handling, use, processing, storage, transportation, disposal and release and is not to be considered a warranty or quality specification. The information relates only to the specific material designated and may not be valid for such material used in combination with any other materials or in any process, unless specified in the text.

End of Safety Data Sheet

CLASSIFICATION: 07 27 26.00

PRODUCT DESCRIPTION: Henry® Air-Bloc All-Weather STPE is a low VOC, UV and fire-resistant fluid applied, elastomeric membrane designed to provide a vapor permeable, water resistive air barrier when applied to above-grade wall assemblies. It is single-component, moisture cure Silyl Terminated Polyether (STPE) which forms a tough monolithic rubber-like membrane resistant to air leakage, water penetration, and long term weathering. Air-Bloc All-Weather STPE can be spray, roll, or brush applied and can be left exposed for use with open-joint cladding

Section 1: Summary

Basic Method / Product Threshold

CONTENT INVENTORY

Inventory Reporting Format

- Nested Materials Method
 Basic Method

Threshold Disclosed Per

- Material
 Product

Threshold level

- 100 ppm
 1,000 ppm
 Per GHS SDS
 Per OSHA MSDS
 Other

Residuals/Impurities

- Considered
 Partially Considered
 Not Considered

Explanation(s) provided for Residuals/Impurities?

- Yes No

All Substances Above the Threshold Indicated Are:

Characterized Yes Ex/SC Yes No

% weight and role provided for all substances.

Screened Yes Ex/SC Yes No

All substances screened using Priority Hazard Lists with results disclosed.

Identified Yes Ex/SC Yes No

All substances disclosed by Name (Specific or Generic) and Identifier.

CONTENT IN DESCENDING ORDER OF QUANTITY

Summary of product contents and results from screening individual chemical substances against HPD Priority Hazard Lists and the GreenScreen for Safer Chemicals®. The HPD does not assess whether using or handling this product will expose individuals to its chemical substances or any health risk. Refer to Section 2 for further details.

MATERIAL | **SUBSTANCE** | *RESIDUAL OR IMPURITY*

GREENSCREEN SCORE | HAZARD TYPE

AIR-BLOC® ALL WEATHER STPE [**LIMESTONE, CALCIUM CARBONATE**
LT-UNK **SILYL-TERMINATED POLYETHER** **NoGS** **POLYPROPYLENE**
GLYCOL **LT-UNK** **1,2-ETHANEDIAMINE, N-(3-**
(TRIMETHOXSILYL)PROPYL)-(9CI) **LT-UNK** **TRIMETHOXYVINYL-SILANE**
BM-1 **CARBON BLACK** **LT-1** | CAN **QUARTZ** **LT-1** | CAN]

Number of Greenscreen BM-4/BM3 contents ... 0

Contents highest concern GreenScreen Benchmark or List translator Score ... BM-1
Nanomaterial ... No

INVENTORY AND SCREENING NOTES:

None

VOLATILE ORGANIC COMPOUND (VOC) CONTENT

Material (g/l): 30 Regulatory (g/l): 30

Does the product contain exempt VOCs: No

Are ultra-low VOC tints available: N/A

CERTIFICATIONS AND COMPLIANCE See Section 3 for additional listings.

VOC emissions: N/A

VOC content: EPA Method 24 - Volatile Matter Content (EPA 24)

CONSISTENCY WITH OTHER PROGRAMS

No pre-checks completed or disclosed.

Third Party Verified?

- Yes
 No

PREPARER: Self-Prepared

VERIFIER:

VERIFICATION #:

SCREENING DATE: 2019-05-09

PUBLISHED DATE: 2019-05-09

EXPIRY DATE: 2022-05-09



Section 2: Content in Descending Order of Quantity

This section lists contents in a product based on specific threshold(s) and reports detailed health information including hazards. This HPD uses the inventory method indicated above, which is one of three possible methods:

- Basic Inventory method with Product-level threshold.
- Nested Material Inventory method with Product-level threshold
- Nested Material Inventory method with individual Material-level thresholds

Definitions and requirements for the three inventory methods and requirements for each data field can be found in the HPD Open Standard version 2.1, available on the HPDC website at: www.hpd-collaborative.org/hpd-2-1-standard

AIR-BLOC® ALL WEATHER STPE

PRODUCT THRESHOLD: 100 ppm

RESIDUALS AND IMPURITIES CONSIDERED: Yes

RESIDUALS AND IMPURITIES NOTES: Impurities such as quartz are not in a respirable form.

OTHER PRODUCT NOTES: No additional product notes.

LIMESTONE, CALCIUM CARBONATE

ID: 1317-65-3

HAZARD SCREENING METHOD: Pharos Chemical and Materials Library

HAZARD SCREENING DATE: 2019-05-09

#: 45.00 - 55.00

GS: LT-UNK

RC: None

NANO: No

ROLE: Film strength

HAZARD TYPE

AGENCY AND LIST TITLES

WARNINGS

No hazards found

SUBSTANCE NOTES: Not in respirable form

SILYL-TERMINATED POLYETHER

ID: 205265-06-1

HAZARD SCREENING METHOD: Pharos Chemical and Materials Library

HAZARD SCREENING DATE: 2019-05-09

#: 20.00 - 30.00

GS: NoGS

RC: None

NANO: No

ROLE: Polymer

HAZARD TYPE

AGENCY AND LIST TITLES

WARNINGS

No hazards found

SUBSTANCE NOTES: No notes

POLYPROPYLENE GLYCOL

ID: 25322-69-4

HAZARD SCREENING METHOD: Pharos Chemical and Materials Library

HAZARD SCREENING DATE: 2019-05-09

#: 15.00 - 25.00

GS: LT-UNK

RC: None

NANO: No

ROLE: Plasticizer

HAZARD TYPE

AGENCY AND LIST TITLES

WARNINGS

No hazards found

SUBSTANCE NOTES: No notes

1,2-ETHANEDIAMINE, N-(3-(TRIMETHOXYSILYL)PROPYL)-(9CI)

ID: 1760-24-3

HAZARD SCREENING METHOD: Pharos Chemical and Materials Library

HAZARD SCREENING DATE: 2019-05-09

#: 1.00 - 5.00

GS: LT-UNK

RC: None

NANO: No

ROLE: Adhesion

HAZARD TYPE

AGENCY AND LIST TITLES

WARNINGS

No hazards found

SUBSTANCE NOTES: Reacts with polymer during cure

TRIMETHOXYVINYL SILANE

ID: 2768-02-7

HAZARD SCREENING METHOD: Pharos Chemical and Materials Library

HAZARD SCREENING DATE: 2019-05-09

#: 1.00 - 5.00

GS: BM-1

RC: None

NANO: No

ROLE: Adhesion

HAZARD TYPE

AGENCY AND LIST TITLES

WARNINGS

No hazards found

SUBSTANCE NOTES: Reacts with polymer during cure

CARBON BLACK

ID: 1333-86-4

HAZARD SCREENING METHOD: Pharos Chemical and Materials Library

HAZARD SCREENING DATE: 2019-05-09

#: 0.10 - 1.00

GS: LT-1

RC: None

NANO: No

ROLE: Pigment

HAZARD TYPE

AGENCY AND LIST TITLES

WARNINGS

CANCER

US CDC - Occupational Carcinogens

Occupational Carcinogen

CANCER

CA EPA - Prop 65

Carcinogen - specific to chemical form or exposure route

CANCER

IARC

Group 2B - Possibly carcinogenic to humans - inhaled from occupational sources

CANCER

MAK

Carcinogen Group 3B - Evidence of carcinogenic effects but not sufficient for classification

SUBSTANCE NOTES: Not in respirable form

QUARTZ

ID: 14808-60-7

HAZARD SCREENING METHOD: Pharos Chemical and Materials Library

HAZARD SCREENING DATE: 2019-05-09

#: Impurity/Residual

GS: LT-1

RC: None

NANO: No

ROLE: Impurity/Residual

HAZARD TYPE	AGENCY AND LIST TITLES	WARNINGS
CANCER	IARC	Group 1 - Agent is Carcinogenic to humans
CANCER	US CDC - Occupational Carcinogens	Occupational Carcinogen
CANCER	CA EPA - Prop 65	Carcinogen - specific to chemical form or exposure route
CANCER	IARC	Group 1 - Agent is carcinogenic to humans - inhaled from occupational sources
CANCER	US NIH - Report on Carcinogens	Known to be Human Carcinogen (respirable size - occupational setting)
CANCER	MAK	Carcinogen Group 1 - Substances that cause cancer in man
CANCER	New Zealand - GHS	6.7A - Known or presumed human carcinogens
CANCER	Japan - GHS	Carcinogenicity - Category 1A
CANCER	Australia - GHS	H350i - May cause cancer by inhalation

SUBSTANCE NOTES: **Not in respirable form**

Section 3: Certifications and Compliance

This section lists applicable certification and standards compliance information for VOC emissions and VOC content. Other types of health or environmental performance testing or certifications completed for the product may be provided.

VOC EMISSIONS

N/A

CERTIFYING PARTY: **Self-declared**

ISSUE DATE: **2019-**

EXPIRY DATE:

CERTIFIER OR LAB: **Henry**

APPLICABLE FACILITIES: **All**

05-09

Company

CERTIFICATE URL:

CERTIFICATION AND COMPLIANCE NOTES: **Exterior use product**

VOC CONTENT

EPA Method 24 - Volatile Matter Content (EPA 24)

CERTIFYING PARTY: **Self-declared**

ISSUE DATE: **2019-**

EXPIRY DATE:

CERTIFIER OR LAB: **Henry**

APPLICABLE FACILITIES: **All**

05-09

Company

CERTIFICATE URL:

CERTIFICATION AND COMPLIANCE NOTES:

Section 4: Accessories

This section lists related products or materials that the manufacturer requires or recommends for installation (such as adhesives or fasteners), maintenance, cleaning, or operations. For information relating to the contents of these related products, refer to their applicable Health Product Declarations, if available.

No accessories are required for this product.

Section 5: General Notes

No general notes are applicable at this time.



MANUFACTURER INFORMATION

MANUFACTURER: **Henry Company**
 ADDRESS: **999 N. Pacific Coast Hwy**
Suite 800
El Segundo CA 90245, USA
 WEBSITE: **www.henry.com**

CONTACT NAME: **Whitney Randall**
 TITLE: **Director, Regulatory Compliance Systems**
 PHONE: **484-557-1247**
 EMAIL: **wrandall@henry.com**

KEY

OSHA MSDS Occupational Safety and Health Administration Material Safety Data Sheet
GHS SDS Globally Harmonized System of Classification and Labeling of Chemicals Safety Data Sheet

Hazard Types

AQU Aquatic toxicity	GLO Global warming	PHY Physical Hazard (reactive)
CAN Cancer	MAM Mammalian/systemic/organ toxicity	REP Reproductive toxicity
DEV Developmental toxicity	MUL Multiple hazards	RES Respiratory sensitization
END Endocrine activity	NEU Neurotoxicity	SKI Skin sensitization/irritation/corrosivity
EYE Eye irritation/corrosivity	OZO Ozone depletion	LAN Land Toxicity
GEN Gene mutation	PBT Persistent Bioaccumulative Toxic	NF Not found on Priority Hazard Lists

GreenScreen (GS)

BM-4 Benchmark 4 (prefer-safer chemical)	LT-P1 List Translator Possible Benchmark 1
BM-3 Benchmark 3 (use but still opportunity for improvement)	LT-1 List Translator Likely Benchmark 1
BM-2 Benchmark 2 (use but search for safer substitutes)	LT-UNK List Translator Unknown (insufficient information from List Translator lists to benchmark)
BM-1 Benchmark 1 (avoid - chemical of high concern)	NoGS Unknown (no data on List Translator Lists)
BM-U Benchmark Unspecified (insufficient data to benchmark)	

Recycled Types

PreC Preconsumer (Post-Industrial)
PostC Postconsumer
Both Both Preconsumer and Postconsumer
Unk Inclusion of recycled content is unknown
None Does not include recycled content

Other Terms

Inventory Methods:

Nested Method / Material Threshold Substances listed within each material per threshold indicated per material
Nested Method / Product Threshold Substances listed within each material per threshold indicated per product
Basic Method / Product Threshold Substances listed individually per threshold indicated per product

Nano Composed of nano scale particles or nanotechnology
Third Party Verified Verification by independent certifier approved by HPDC
Preparer Third party preparer, if not self-prepared by manufacturer
Applicable facilities Manufacturing sites to which testing applies

The Health Product Declaration (HPD) Open Standard provides for the disclosure of product contents and potential associated human and environmental health hazards. Hazard associations are based on the HPD Priority Hazard Lists, the GreenScreen List Translator™, and when available, full GreenScreen® assessments. The HPD Open Standard v2.1 is not:

- a method for the assessment of exposure or risk associated with product handling or use,
- a method for assessing potential health impacts of: (i) substances used or created during the manufacturing process or (ii) substances created after the product is delivered for end use.

Information about life cycle, exposure and/or risk assessments performed on the product may be reported by the manufacturer in appropriate Notes sections, and/or, where applicable, in the Certifications section.

The HPD Open Standard was created and is supported by the Health Product Declaration Collaborative (the HPD Collaborative), a customer-led organization composed of stakeholders throughout the building industry that is committed to the continuous improvement of building products through transparency, openness, and innovation throughout the product supply chain.

The product manufacturer and any applicable independent verifier are solely responsible for the accuracy of statements and claims made in this HPD and for compliance with the HPD standard noted.

Declare.



Air-Bloc® All Weather STPE **Henry Company**

Final Assembly: Scarborough, Ontario, Canada

Life Expectancy: Life of Structure

End of Life Options: Landfill (100%)

Ingredients:

**Calcium Carbonate, Silyl-Terminated Polyether,
Polypropylene Glycol, Amino-Functional Silane,
Vinyltrimethoxysilane, Carbon Black**

Living Building Challenge Criteria:

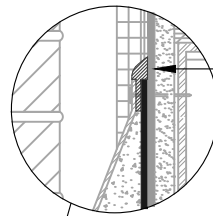
HCO-0007
VOC Content: 30 g/L

EXP: 01 JUN 2020
VOC Emissions: N/A

Declaration Status

- LBC Red List Free
- LBC Compliant
- Declared

MANUFACTURER RESPONSIBLE FOR LABEL ACCURACY
INTERNATIONAL LIVING FUTURE INSTITUTE™ declareproducts.com



SEE NOTE #3 AND REFER TO
 DETAIL ABSTPE-7A1 FOR
AIR-BLOC ALL WEATHER STPE
 REVERSE LAP INSTALLATION
 INSTRUCTIONS

FLASHING INSTALLED AFTER WRB
 REVERSE LAP

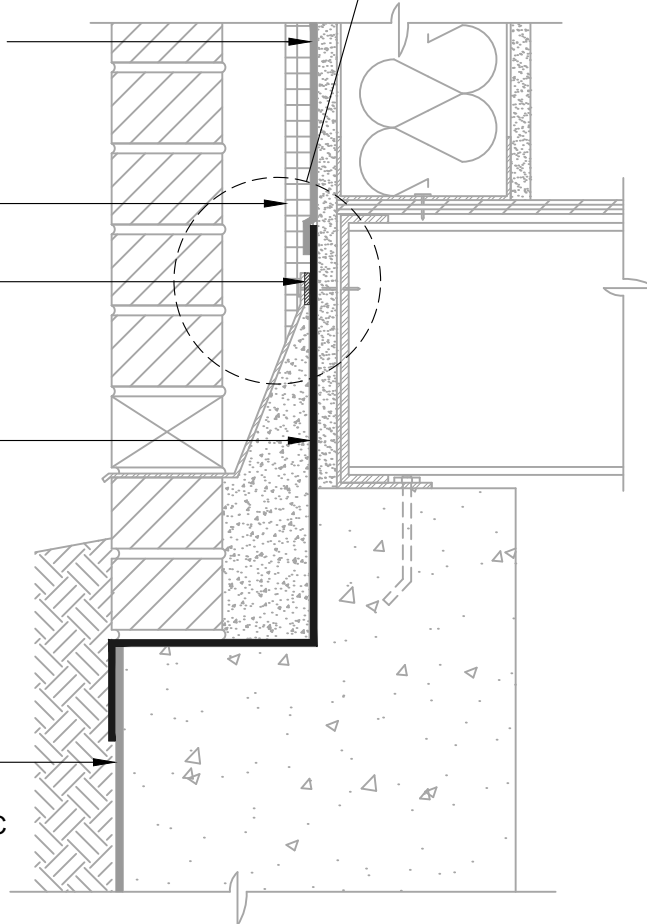
AIR-BLOC ALL WEATHER STPE
 LAP AIR BARRIER 1" ONTO
 FLASHING

OPTIONAL INSULATION

SET FLASHING/TERMINATION
 BAR IN A BED OF
HENRY 925 BES SEALANT

BLUESKIN TWF
 (SEE NOTE #3)

HENRY BELOW GRADE
WATERPROOFING (CONTACT
HENRY FOR PROJECT SPECIFIC
RECOMMENDATIONS)



NOTES:

1. DETAIL SHOWS **AIR-BLOC ALL WEATHER STPE FLUID APPLIED VAPOR PERMEABLE AIR BARRIER**. SUBSTRATE SHOWN IS FOR REFERENCE ONLY. ACCEPTABLE SUBSTRATES INCLUDE PLYWOOD, OSB, CONCRETE, CMU, METAL, AND EXTERIOR GRADE SHEATHING.
2. ADHESION OF COMPONENTS DEPICTED IN THIS DETAIL PROGRESSIVELY INCREASE AFTER INITIAL APPLICATION. ALLOW A MINIMUM OF 7 DAYS AFTER INSTALLATION TO CONDUCT ADHESION TESTS IF REQUIRED.
3. HENRY SELF-ADHERED MEMBRANES (INCLUDING **BLUESKIN SA, BLUESKIN SA LT, BLUESKIN TWF, BLUESKIN METAL CLAD OR BLUESKIN BUTYL FLASH**) MUST BE INSTALLED WITH **AQUATAC PRIMER** WHEN APPLIED ONTO CURED **AIR-BLOC ALL WEATHER STPE**.
4. OPTIONAL VAPOR BARRIER NOT SHOWN FOR CLARITY. REFER TO LOCAL CODE ORDINANCES FOR INSULATION AND VAPOR BARRIER REQUIREMENTS.
5. REFER TO PRODUCT SPECIFIC TECHNICAL DATA SHEET (TDS), **AIR-BLOC ALL WEATHER STPE GUIDE SPECIFICATION** AND **AIR-BLOC ALL WEATHER STPE INSTALLATION MANUAL** FOR INSTALLATION PROCEDURES.

MANUFACTURER GUIDE DETAILS ARE FOR REFERENCE ONLY. HENRY DOES NOT ASSUME RESPONSIBILITY FOR ERRORS OR DEVIATIONS IN DESIGN OR ENGINEERING. PROJECT SPECIFIC VERIFICATION IS RECOMMENDED PRIOR TO INSTALLATION.

AIR-BLOC ALL WEATHER STPE

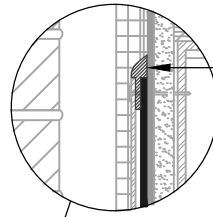
WALL FOUNDATION
EXTERIOR WALL AND FOUNDATION TRANSITION
SLAB BELOW GRADE WITH MASONRY LEDGE

SCALE: N.T.S. 01-10-2020

ABSTPE-1A



999 N. Pacific Coast Highway, Suite 800
 El Segundo, CA 90245
 800-486-1278 • www.henry.com



SEE NOTE #3 AND REFER TO
DETAIL ABSTPE-7A1 FOR
AIR-BLOC ALL WEATHER STPE
REVERSE LAP INSTALLATION
INSTRUCTIONS

FLASHING INSTALLED AFTER WRB
REVERSE LAP

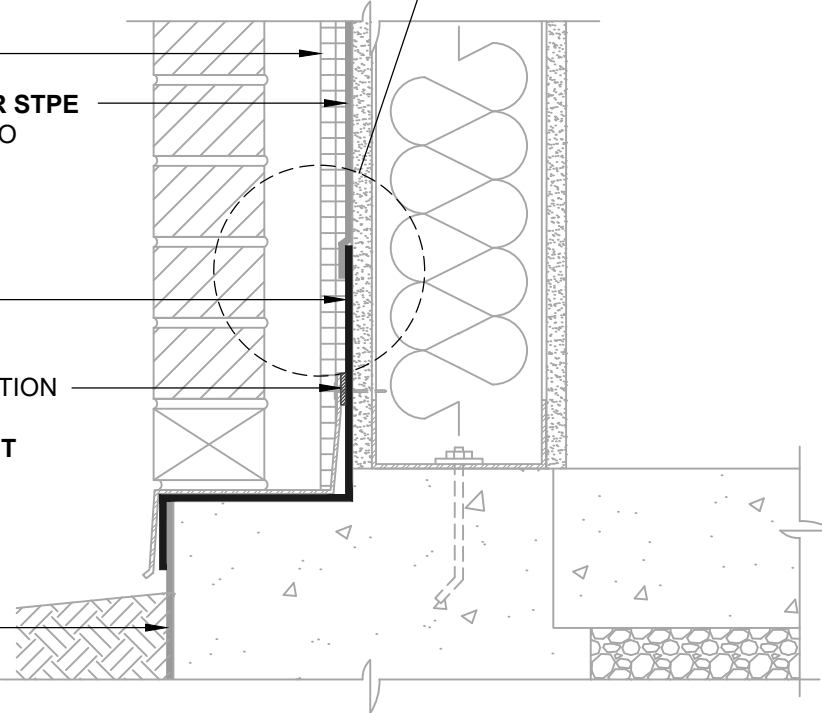
OPTIONAL INSULATION

AIR-BLOC ALL WEATHER STPE
LAP AIR BARRIER 1" ONTO
FLASHING

BLUESKIN TWF
(SEE NOTE #3)

SET FLASHING/TERMINATION
BAR IN A BED OF
HENRY 925 BES SEALANT

HENRY BELOW GRADE
WATERPROOFING
(CONTACT HENRY FOR
PROJECT SPECIFIC
RECOMMENDATIONS)



NOTES:

1. DETAIL SHOWS **AIR-BLOC ALL WEATHER STPE FLUID APPLIED VAPOR PERMEABLE AIR BARRIER**. SUBSTRATE SHOWN IS FOR REFERENCE ONLY. ACCEPTABLE SUBSTRATES INCLUDE PLYWOOD, OSB, CONCRETE, CMU, METAL, AND EXTERIOR GRADE SHEATHING.
2. ADHESION OF COMPONENTS DEPICTED IN THIS DETAIL PROGRESSIVELY INCREASE AFTER INITIAL APPLICATION. ALLOW A MINIMUM OF 7 DAYS AFTER INSTALLATION TO CONDUCT ADHESION TESTS IF REQUIRED.
3. HENRY SELF-ADHERED MEMBRANES (INCLUDING **BLUESKIN SA, BLUESKIN SA LT, BLUESKIN TWF, BLUESKIN METAL CLAD OR BLUESKIN BUTYL FLASH**) MUST BE INSTALLED WITH **AQUATAC PRIMER** WHEN APPLIED ONTO CURED **AIR-BLOC ALL WEATHER STPE**.
4. OPTIONAL VAPOR BARRIER NOT SHOWN FOR CLARITY. REFER TO LOCAL CODE ORDINANCES FOR INSULATION AND VAPOR BARRIER REQUIREMENTS.
5. REFER TO PRODUCT SPECIFIC TECHNICAL DATA SHEET (TDS), **AIR-BLOC ALL WEATHER STPE GUIDE SPECIFICATION** AND **AIR-BLOC ALL WEATHER STPE INSTALLATION MANUAL** FOR INSTALLATION PROCEDURES.

Henry[®]

999 N. Pacific Coast Highway, Suite 800
El Segundo, CA 90245
800-486-1278 • www.henry.com

MANUFACTURER GUIDE DETAILS ARE FOR REFERENCE ONLY. HENRY DOES NOT ASSUME RESPONSIBILITY FOR ERRORS OR DEVIATIONS IN DESIGN OR ENGINEERING. PROJECT SPECIFIC VERIFICATION IS RECOMMENDED PRIOR TO INSTALLATION.

AIR-BLOC ALL WEATHER STPE

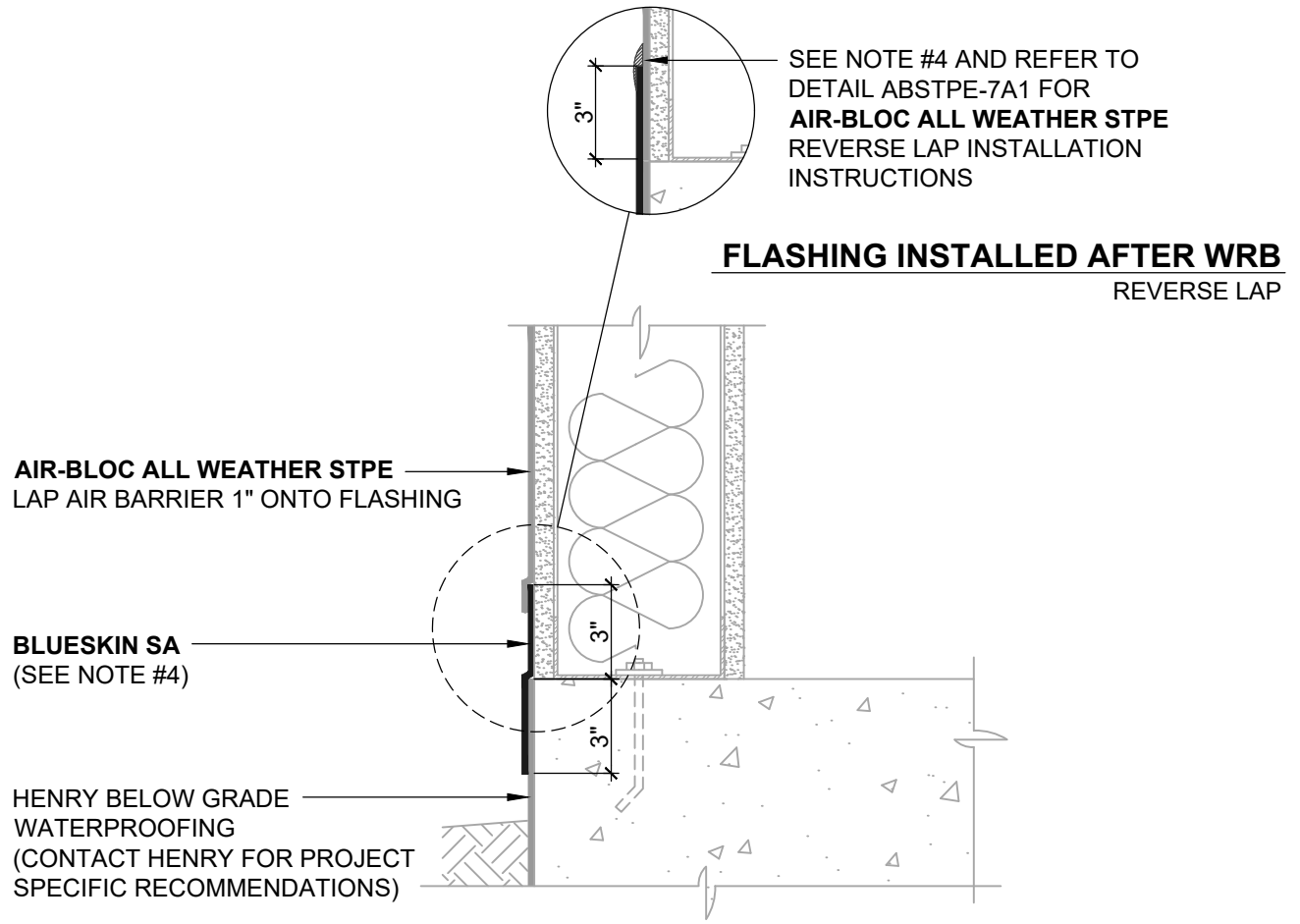
WALL FOUNDATION

**EXTERIOR WALL AND FOUNDATION TRANSITION
SLAB ON GRADE WITH MASONRY LEDGE**

SCALE: N.T.S.

01-10-2020

ABSTPE-1B



NOTES:

1. DETAIL SHOWS **AIR-BLOC ALL WEATHER STPE FLUID APPLIED VAPOR PERMEABLE AIR BARRIER**. SUBSTRATE SHOWN IS FOR REFERENCE ONLY. ACCEPTABLE SUBSTRATES INCLUDE PLYWOOD, OSB, CONCRETE, CMU, METAL, AND EXTERIOR GRADE SHEATHING.
2. ADHESION OF COMPONENTS DEPICTED IN THIS DETAIL PROGRESSIVELY INCREASE AFTER INITIAL APPLICATION. ALLOW A MINIMUM OF 7 DAYS AFTER INSTALLATION TO CONDUCT ADHESION TESTS IF REQUIRED.
3. OTHER FLASHING OPTIONS INCLUDE: **BLUESKIN SA LT, BLUESKIN TWF, BLUESKIN METAL CLAD OR BLUESKIN BUTYL FLASH**.
4. HENRY SELF-ADHERED MEMBRANES (INCLUDING **BLUESKIN SA, BLUESKIN SA LT, BLUESKIN TWF, BLUESKIN METAL CLAD OR BLUESKIN BUTYL FLASH**) MUST BE INSTALLED WITH **AQUATAC PRIMER** WHEN APPLIED ONTO CURED **AIR-BLOC ALL WEATHER STPE**.
5. OPTIONAL VAPOR BARRIER NOT SHOWN FOR CLARITY. REFER TO LOCAL CODE ORDINANCES FOR INSULATION AND VAPOR BARRIER REQUIREMENTS.
6. REFER TO PRODUCT SPECIFIC TECHNICAL DATA SHEET (TDS), **AIR-BLOC ALL WEATHER STPE GUIDE SPECIFICATION** AND **AIR-BLOC ALL WEATHER STPE INSTALLATION MANUAL** FOR INSTALLATION PROCEDURES.

MANUFACTURER GUIDE DETAILS ARE FOR REFERENCE ONLY. HENRY DOES NOT ASSUME RESPONSIBILITY FOR ERRORS OR DEVIATIONS IN DESIGN OR ENGINEERING. PROJECT SPECIFIC VERIFICATION IS RECOMMENDED PRIOR TO INSTALLATION.

AIR-BLOC ALL WEATHER STPE

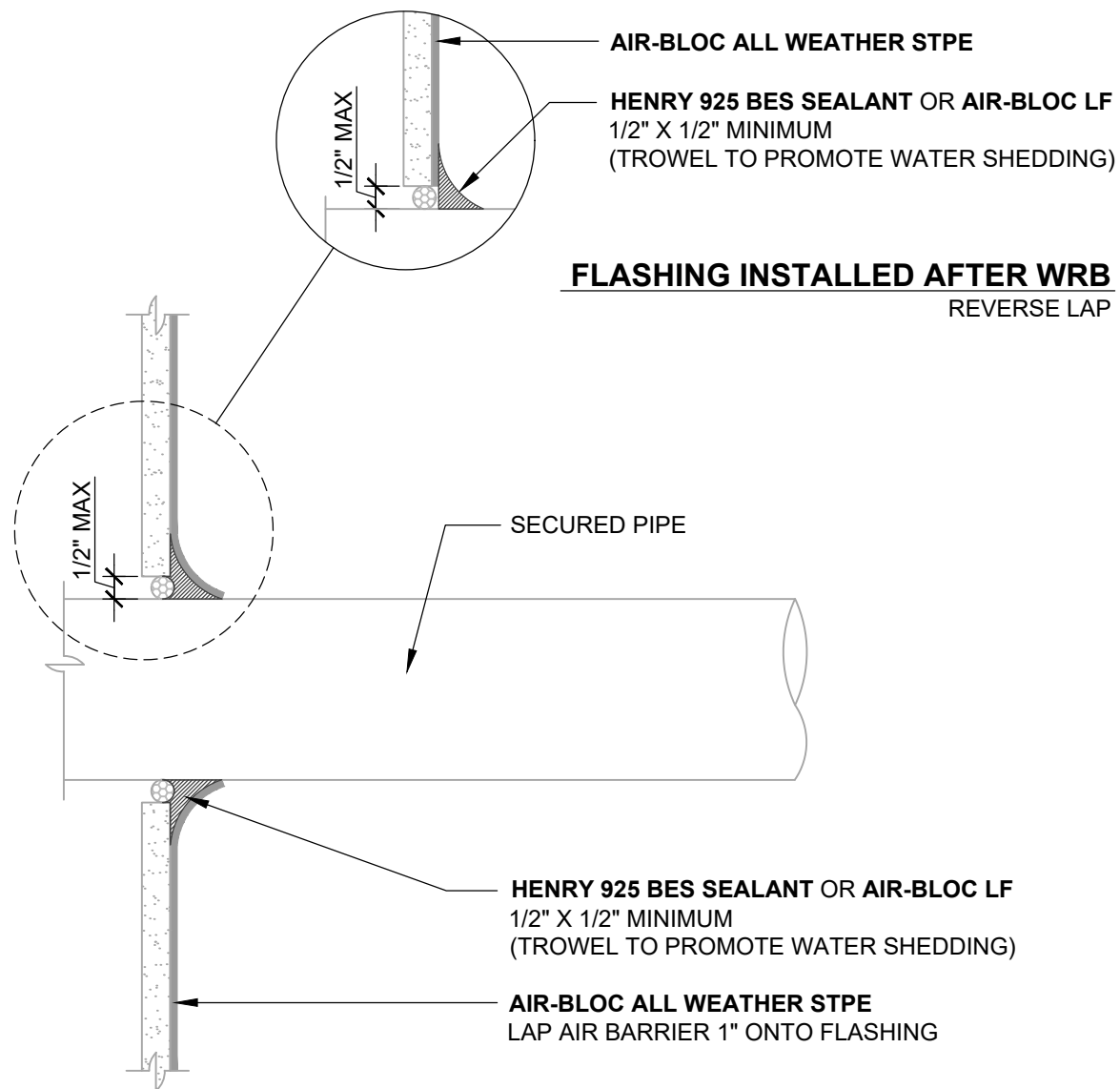
WALL FOUNDATION
EXTERIOR WALL AND FOUNDATION TRANSITION
SLAB ON GRADE - NO MASONRY LEDGE

SCALE: N.T.S. | 01-10-2020

ABSTPE-1C



999 N. Pacific Coast Highway, Suite 800
El Segundo, CA 90245
800-486-1278 • www.henry.com



NOTES:

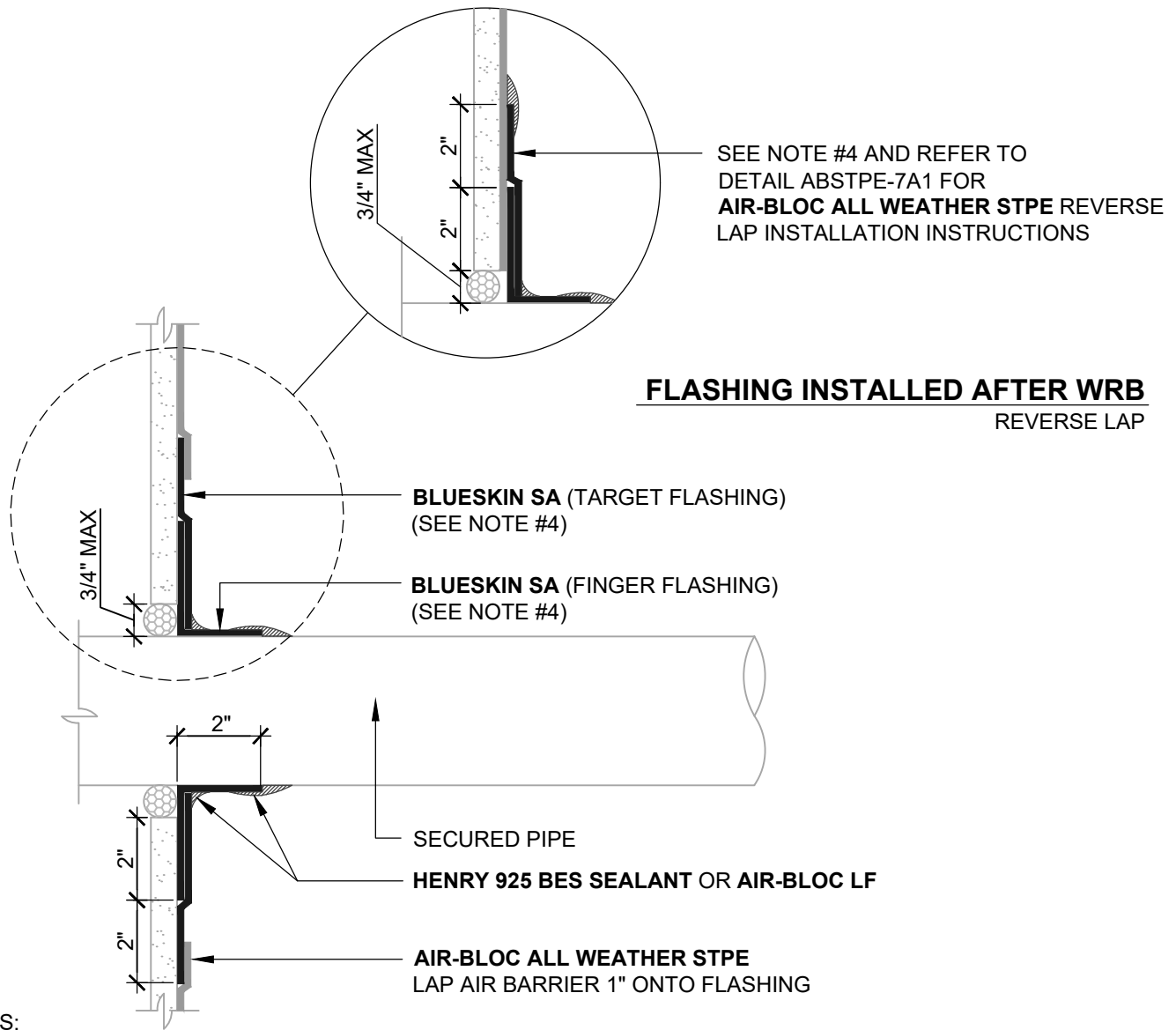
1. DETAIL SHOWS **AIR-BLOC ALL WEATHER STPE FLUID APPLIED VAPOR PERMEABLE AIR BARRIER**. SUBSTRATE SHOWN IS FOR REFERENCE ONLY. ACCEPTABLE SUBSTRATES INCLUDE PLYWOOD, OSB, CONCRETE, CMU, METAL, AND EXTERIOR GRADE SHEATHING.
2. ADHESION OF COMPONENTS DEPICTED IN THIS DETAIL PROGRESSIVELY INCREASE AFTER INITIAL APPLICATION. ALLOW A MINIMUM OF 7 DAYS AFTER INSTALLATION TO CONDUCT ADHESION TESTS IF REQUIRED.
3. PRIME CUT/RAW EDGES OF EXPOSED GYPSUM SHEATHING CORE PRIOR TO **AIR-BLOC LF** APPLICATION. RECOMMENDED PRIMER/ADHESIVE INCLUDE: **BLUESKIN SPRAY PREP**.
4. PERMANENTLY SECURE PIPE, LIGHTLY ABRABE AND CLEAN DUST/DEBRIS FROM PIPE PRIOR TO DETAILING.
5. INSULATION, CLADDING AND OPTIONAL VAPOR BARRIER NOT SHOWN FOR CLARITY. REFER TO LOCAL CODE ORDINANCES FOR INSULATION AND VAPOR BARRIER REQUIREMENTS.
6. REFER TO PRODUCT SPECIFIC TECHNICAL DATA SHEET (TDS), **AIR-BLOC ALL WEATHER STPE** GUIDE SPECIFICATION AND **AIR-BLOC ALL WEATHER STPE** INSTALLATION MANUAL FOR INSTALLATION PROCEDURES.

Henry[®]

999 N. Pacific Coast Highway, Suite 800
 El Segundo, CA 90245
 800-486-1278 • www.henry.com

MANUFACTURER GUIDE DETAILS ARE FOR REFERENCE ONLY. HENRY DOES NOT ASSUME RESPONSIBILITY FOR ERRORS OR DEVIATIONS IN DESIGN OR ENGINEERING. PROJECT SPECIFIC VERIFICATION IS RECOMMENDED PRIOR TO INSTALLATION.

AIR-BLOC ALL WEATHER STPE			
PIPE PENETRATION		SCALE: N.T.S.	01-10-2020
SUBSTRATE GAPS UP TO 1/2" WIDE GAP MAXIMUM LIQUID FLASHING OR SEALANT		ABSTPE-2A	



NOTES:

1. DETAIL SHOWS **AIR-BLOC ALL WEATHER STPE FLUID APPLIED VAPOR PERMEABLE AIR BARRIER**. SUBSTRATE SHOWN IS FOR REFERENCE ONLY. ACCEPTABLE SUBSTRATES INCLUDE PLYWOOD, OSB, CONCRETE, CMU, METAL, AND EXTERIOR GRADE SHEATHING.
2. ADHESION OF COMPONENTS DEPICTED IN THIS DETAIL PROGRESSIVELY INCREASE AFTER INITIAL APPLICATION. ALLOW A MINIMUM OF 7 DAYS AFTER INSTALLATION TO CONDUCT ADHESION TESTS IF REQUIRED.
3. OTHER FLASHING OPTIONS INCLUDE: **BLUESKIN SA LT**, **BLUESKIN METAL CLAD** OR **BLUESKIN BUTYL FLASH**.
4. HENRY SELF-ADHERED MEMBRANES (INCLUDING **BLUESKIN SA**, **BLUESKIN SA LT**, **BLUESKIN TWF**, **BLUESKIN METAL CLAD** OR **BLUESKIN BUTYL FLASH**) MUST BE INSTALLED WITH **AQUATAC PRIMER** WHEN APPLIED ONTO CURED **AIR-BLOC ALL WEATHER STPE**.
5. PERMANENTLY SECURE PIPE, LIGHTLY ABRABE AND CLEAN DUST/DEBRIS FROM PIPE PRIOR TO DETAILING.
6. INSULATION, CLADDING AND OPTIONAL VAPOR BARRIER NOT SHOWN FOR CLARITY. REFER TO LOCAL CODE ORDINANCES FOR INSULATION AND VAPOR BARRIER REQUIREMENTS.
7. REFER TO PRODUCT SPECIFIC TECHNICAL DATA SHEET (TDS), **AIR-BLOC ALL WEATHER STPE** GUIDE SPECIFICATION AND **AIR-BLOC ALL WEATHER STPE** INSTALLATION MANUAL FOR INSTALLATION PROCEDURES.

Henry[®]

999 N. Pacific Coast Highway, Suite 800
El Segundo, CA 90245
800-486-1278 • www.henry.com

MANUFACTURER GUIDE DETAILS ARE FOR REFERENCE ONLY. HENRY DOES NOT ASSUME RESPONSIBILITY FOR ERRORS OR DEVIATIONS IN DESIGN OR ENGINEERING. PROJECT SPECIFIC VERIFICATION IS RECOMMENDED PRIOR TO INSTALLATION.

AIR-BLOC ALL WEATHER STPE

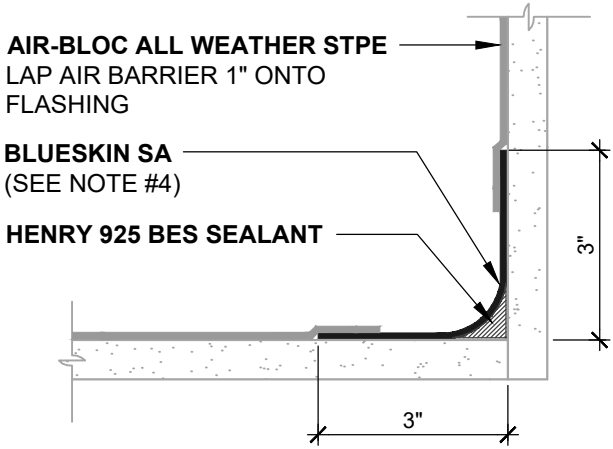
PIPE PENETRATION

SUBSTRATE GAPS UP TO 3/4" WIDE GAP MAXIMUM
SELF-ADHERED FLASHING

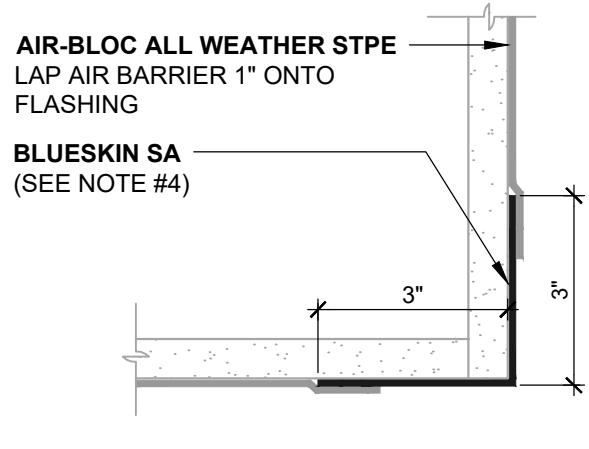
SCALE: N.T.S.

01-10-2020

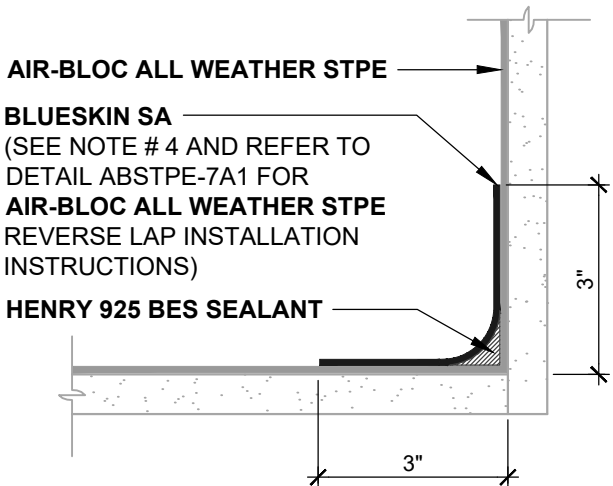
ABSTPE-2B



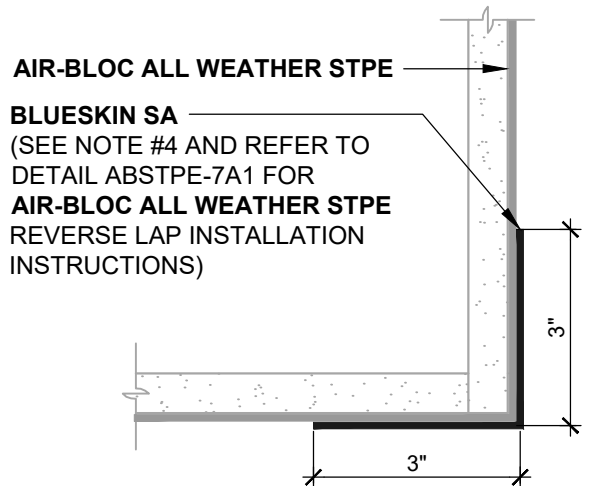
INSIDE CORNER (PLAN VIEW)
FLASHING INSTALLED BEFORE WRB



OUTSIDE CORNER (PLAN VIEW)
FLASHING INSTALLED BEFORE WRB



INSIDE CORNER (PLAN VIEW)
FLASHING INSTALLED AFTER WRB



OUTSIDE CORNER (PLAN VIEW)
FLASHING INSTALLED AFTER WRB

NOTES:

1. DETAIL SHOWS **AIR-BLOC ALL WEATHER STPE FLUID APPLIED VAPOR PERMEABLE AIR BARRIER**. SUBSTRATE SHOWN IS FOR REFERENCE ONLY. ACCEPTABLE SUBSTRATES INCLUDE PLYWOOD, OSB, CONCRETE, CMU, METAL, AND EXTERIOR GRADE SHEATHING.
2. ADHESION OF COMPONENTS DEPICTED IN THIS DETAIL PROGRESSIVELY INCREASE AFTER INITIAL APPLICATION. ALLOW A MINIMUM OF 7 DAYS AFTER INSTALLATION TO CONDUCT ADHESION TESTS IF REQUIRED.
3. OTHER FLASHING OPTIONS INCLUDE: **BLUESKIN SA LT, BLUESKIN METAL CLAD OR BLUESKIN BUTYL FLASH.**
4. HENRY SELF-ADHERED MEMBRANES (INCLUDING **BLUESKIN SA, BLUESKIN SA LT, BLUESKIN TWF, BLUESKIN METAL CLAD OR BLUESKIN BUTYL FLASH**) MUST BE INSTALLED WITH **AQUATAC PRIMER** WHEN APPLIED ONTO CURED **AIR-BLOC ALL WEATHER STPE**.
5. INSULATION, CLADDING AND OPTIONAL VAPOR BARRIER NOT SHOWN FOR CLARITY. REFER TO LOCAL CODE ORDINANCES FOR INSULATION AND VAPOR BARRIER REQUIREMENTS.
6. REFER TO PRODUCT SPECIFIC TECHNICAL DATA SHEET (TDS), **AIR-BLOC ALL WEATHER STPE GUIDE SPECIFICATION** AND **AIR-BLOC ALL WEATHER STPE INSTALLATION MANUAL** FOR INSTALLATION PROCEDURES.

MANUFACTURER GUIDE DETAILS ARE FOR REFERENCE ONLY. HENRY DOES NOT ASSUME RESPONSIBILITY FOR ERRORS OR DEVIATIONS IN DESIGN OR ENGINEERING. PROJECT SPECIFIC VERIFICATION IS RECOMMENDED PRIOR TO INSTALLATION.

AIR-BLOC ALL WEATHER STPE

INSIDE/OUTSIDE CORNERS

**EXTERIOR GRADE SHEATHING
SELF-ADHERED FLASHING**

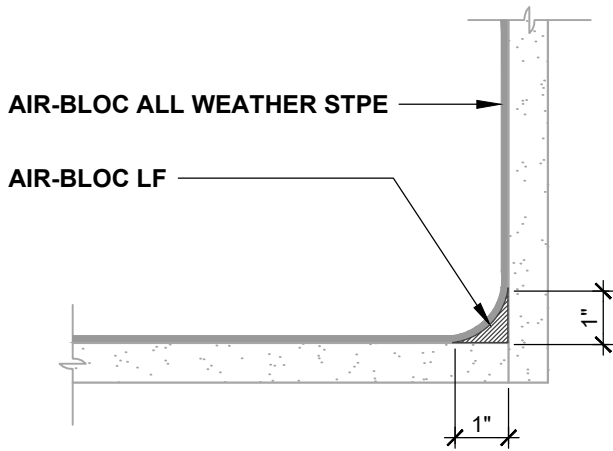
SCALE: N.T.S.

01-10-2020

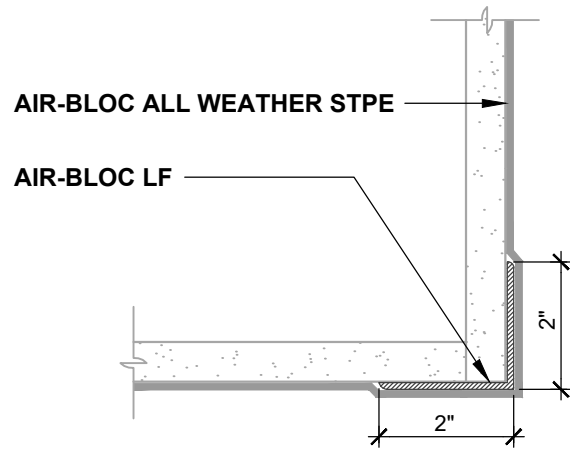
ABSTPE-3A-1



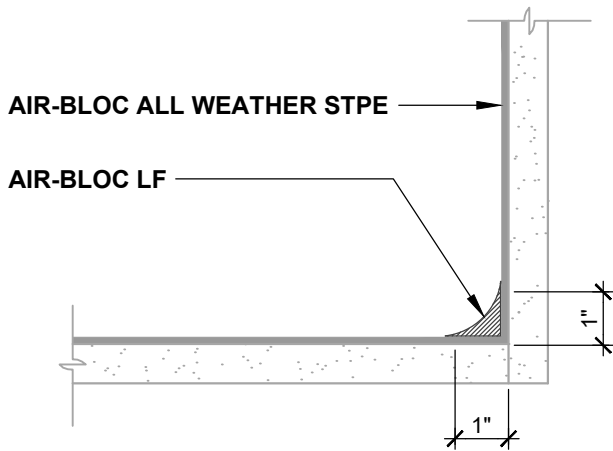
999 N. Pacific Coast Highway, Suite 800
El Segundo, CA 90245
800-486-1278 • www.henry.com



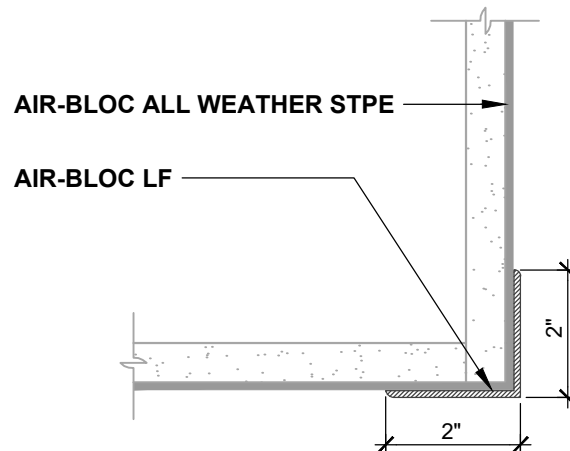
INSIDE CORNER (PLAN VIEW)
FLASHING INSTALLED BEFORE WRB



OUTSIDE CORNER (PLAN VIEW)
FLASHING INSTALLED BEFORE WRB



INSIDE CORNER (PLAN VIEW)
FLASHING INSTALLED AFTER WRB



OUTSIDE CORNER (PLAN VIEW)
FLASHING INSTALLED AFTER WRB

NOTES:

1. DETAIL SHOWS **AIR-BLOC ALL WEATHER STPE FLUID APPLIED VAPOR PERMEABLE AIR BARRIER**. SUBSTRATE SHOWN IS FOR REFERENCE ONLY. ACCEPTABLE SUBSTRATES FOR **AIR-BLOC LF** CORNER FLASHING INCLUDE OSB AND EXTERIOR GRADE SHEATHING.
2. ADHESION OF COMPONENTS DEPICTED IN THIS DETAIL PROGRESSIVELY INCREASE AFTER INITIAL APPLICATION. ALLOW A MINIMUM OF 7 DAYS AFTER INSTALLATION TO CONDUCT ADHESION TESTS IF REQUIRED.
3. PLYWOOD SUBSTRATES REQUIRE A SELF-ADHERED FLASHING AT INSIDE/OUTSIDE CORNERS. REFER TO DETAIL ABSTPE-3A-2.
4. PRIME CUT/RAW EDGES OF EXPOSED GYPSUM SHEATHING CORE PRIOR TO **AIR-BLOC LF** APPLICATION. RECOMMENDED PRIMER/ADHESIVE INCLUDE: **BLUESKIN SPRAY PREP**.
5. INSULATION, CLADDING AND OPTIONAL VAPOR BARRIER NOT SHOWN FOR CLARITY. REFER TO LOCAL CODE ORDINANCES FOR INSULATION AND VAPOR BARRIER REQUIREMENTS.
6. REFER TO PRODUCT SPECIFIC TECHNICAL DATA SHEET (TDS), **AIR-BLOC ALL WEATHER STPE GUIDE** SPECIFICATION AND **AIR-BLOC ALL WEATHER STPE** INSTALLATION MANUAL FOR INSTALLATION PROCEDURES.

Henry[®]

999 N. Pacific Coast Highway, Suite 800
El Segundo, CA 90245
800-486-1278 • www.henry.com

MANUFACTURER GUIDE DETAILS ARE FOR REFERENCE ONLY. HENRY DOES NOT ASSUME RESPONSIBILITY FOR ERRORS OR DEVIATIONS IN DESIGN OR ENGINEERING. PROJECT SPECIFIC VERIFICATION IS RECOMMENDED PRIOR TO INSTALLATION.

AIR-BLOC ALL WEATHER STPE

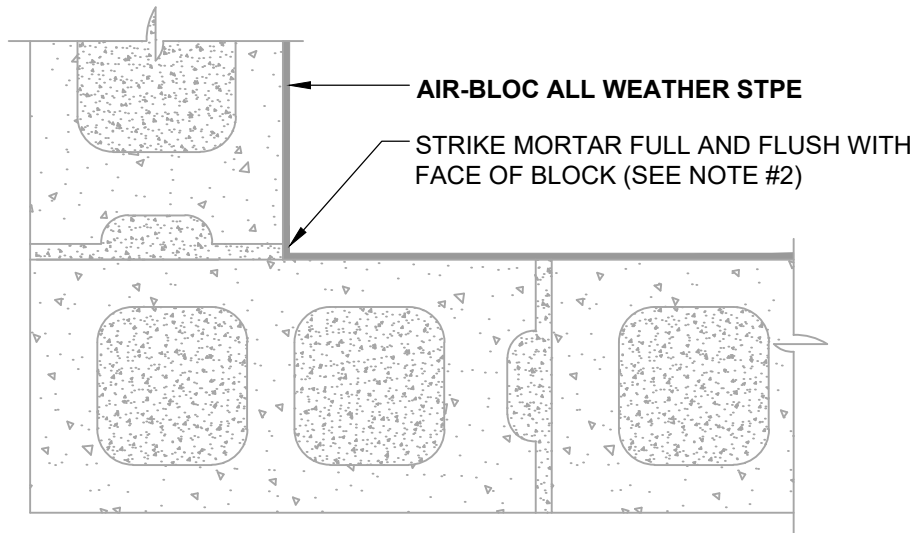
INSIDE/OUTSIDE CORNERS

**EXTERIOR GRADE SHEATHING
LIQUID APPLIED FLASHING**

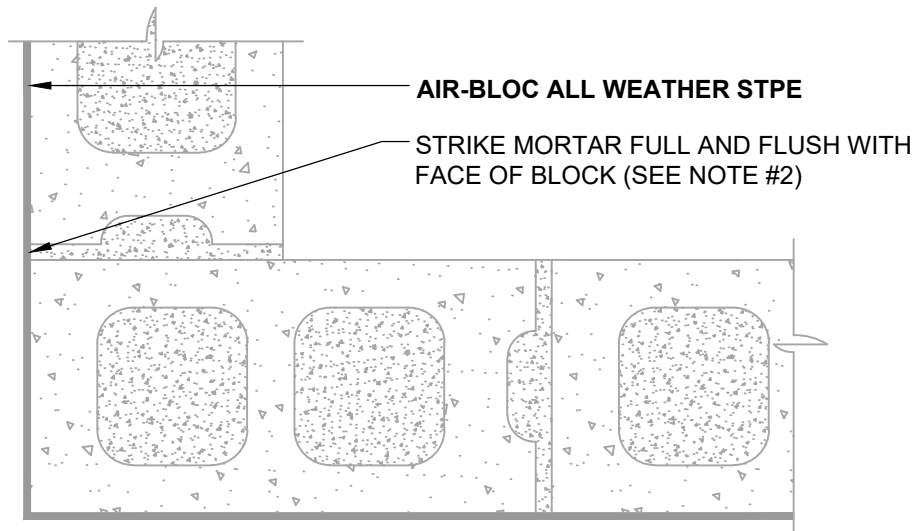
SCALE: N.T.S.

01-10-2020

ABSTPE-3A-2



INSIDE CORNER (PLAN VIEW)
STRIKE MORTAR FULL AND FLUSH



OUTSIDE CORNER (PLAN VIEW)
STRIKE MORTAR FULL AND FLUSH

NOTES:

1. DETAIL SHOWS **AIR-BLOC ALL WEATHER STPE FLUID APPLIED VAPOR PERMEABLE AIR BARRIER**. THIS DETAIL IS FOR CMU SUBSTRATES ONLY. REFER TO ABSTPE-3A-1 AND ABSTPE-3A-2 FOR OTHER SUBSTRATE FLASHINGS.
2. FILL GROUT AND STRIKE CMU JOINTS FULL AND FLUSH TO CREATE A CONTINUOUS SUBSTRATE. REFER TO PRODUCT SPECIFIC TECHNICAL DATA SHEET FOR CURE TIME PRIOR TO AIR BARRIER INSTALLATION.
3. INSULATION, CLADDING AND OPTIONAL VAPOR BARRIER NOT SHOWN FOR CLARITY. REFER TO LOCAL CODE ORDINANCES FOR INSULATION AND VAPOR BARRIER REQUIREMENTS.
4. REFER TO PRODUCT SPECIFIC TECHNICAL DATA SHEET (TDS), **AIR-BLOC ALL WEATHER STPE GUIDE SPECIFICATION** AND **AIR-BLOC ALL WEATHER STPE INSTALLATION MANUAL** FOR INSTALLATION PROCEDURES.

MANUFACTURER GUIDE DETAILS ARE FOR REFERENCE ONLY. HENRY DOES NOT ASSUME RESPONSIBILITY FOR ERRORS OR DEVIATIONS IN DESIGN OR ENGINEERING. PROJECT SPECIFIC VERIFICATION IS RECOMMENDED PRIOR TO INSTALLATION.

AIR-BLOC ALL WEATHER STPE

INSIDE/OUTSIDE CORNERS
CONCRETE MASONRY UNITS (CMU)
STRIKE MASONRY JOINTS FLUSH

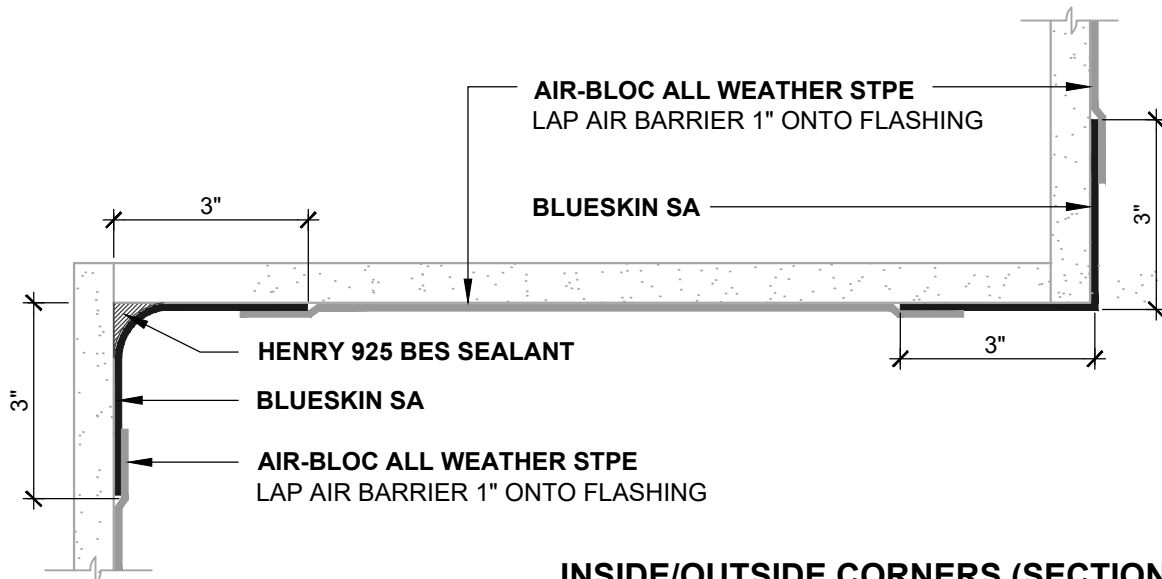
SCALE: N.T.S.

01-10-2020

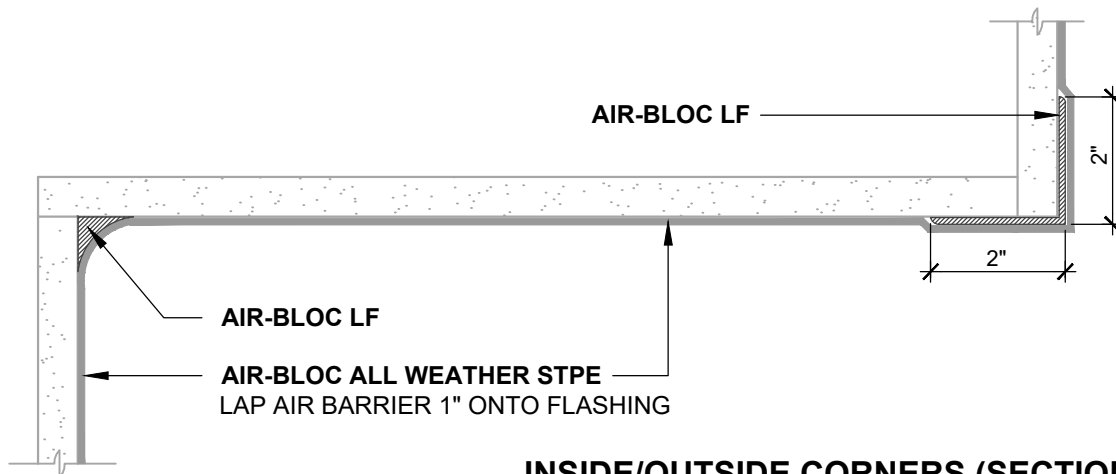
ABSTPE-3B

Henry[®]

999 N. Pacific Coast Highway, Suite 800
El Segundo, CA 90245
800-486-1278 • www.henry.com



INSIDE/OUTSIDE CORNERS (SECTION VIEW)
SELF-ADHERED FLASHING



INSIDE/OUTSIDE CORNERS (SECTION VIEW)
LIQUID-APPLIED FLASHING

NOTES:

1. DETAIL SHOWS **AIR-BLOC ALL WEATHER STPE FLUID APPLIED VAPOR PERMEABLE AIR BARRIER**. SUBSTRATE SHOWN IS FOR REFERENCE ONLY. ACCEPTABLE SUBSTRATES INCLUDE PLYWOOD, OSB, CONCRETE, CMU, METAL, AND EXTERIOR GRADE SHEATHING.
2. ADHESION OF COMPONENTS DEPICTED IN THIS DETAIL PROGRESSIVELY INCREASE AFTER INITIAL APPLICATION. ALLOW A MINIMUM OF 7 DAYS AFTER INSTALLATION TO CONDUCT ADHESION TESTS IF REQUIRED.
3. OTHER FLASHING OPTIONS INCLUDE: **BLUESKIN SA LT, BLUESKIN METAL CLAD OR BLUESKIN BUTYL FLASH**.
4. HENRY SELF-ADHERED MEMBRANES (INCLUDING **BLUESKIN SA, BLUESKIN SA LT, BLUESKIN TWF, BLUESKIN METAL CLAD OR BLUESKIN BUTYL FLASH**) MUST BE INSTALLED WITH **AQUATAC PRIMER** WHEN APPLIED ONTO CURED **AIR-BLOC ALL WEATHER STPE**.
5. INSULATION, CLADDING AND OPTIONAL VAPOR BARRIER NOT SHOWN FOR CLARITY. REFER TO LOCAL CODE ORDINANCES FOR INSULATION AND VAPOR BARRIER REQUIREMENTS.
6. REFER TO PRODUCT SPECIFIC TECHNICAL DATA SHEET (TDS), **AIR-BLOC ALL WEATHER STPE GUIDE SPECIFICATION** AND **AIR-BLOC ALL WEATHER STPE INSTALLATION MANUAL** FOR INSTALLATION PROCEDURES.

Henry[®]

999 N. Pacific Coast Highway, Suite 800
El Segundo, CA 90245
800-486-1278 • www.henry.com

MANUFACTURER GUIDE DETAILS ARE FOR REFERENCE ONLY. HENRY DOES NOT ASSUME RESPONSIBILITY FOR ERRORS OR DEVIATIONS IN DESIGN OR ENGINEERING. PROJECT SPECIFIC VERIFICATION IS RECOMMENDED PRIOR TO INSTALLATION.

AIR-BLOC ALL WEATHER STPE

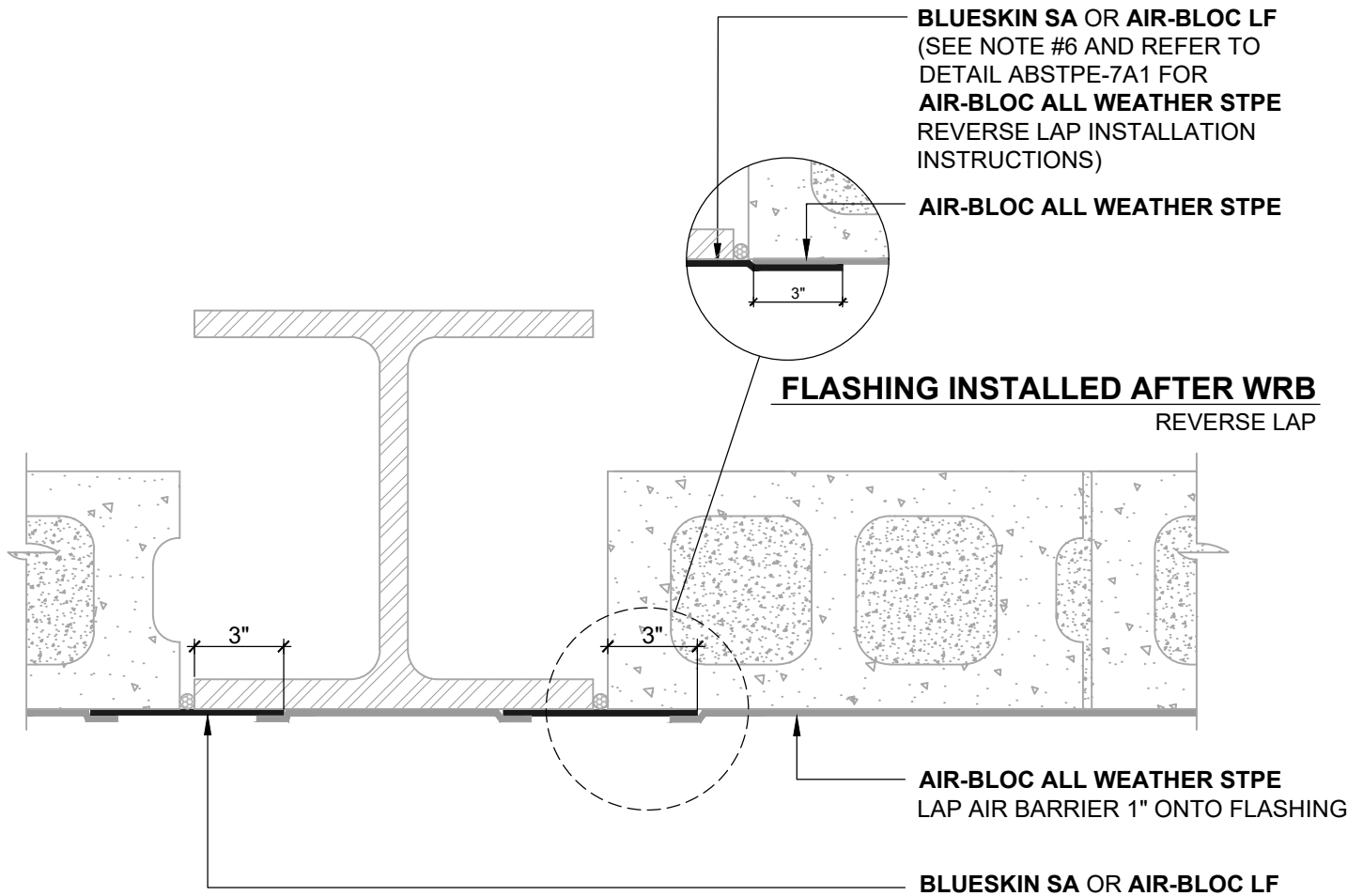
TYPICAL SOFFIT

**INSIDE AND OUTSIDE CORNERS - SECTION VIEW
SELF-ADHERED FLASHING**

SCALE: N.T.S.

01-10-2020

ABSTPE-3C



NON-MOVING JOINT (PLAN VIEW)
CONTROL JOINT/SUBSTRATE TRANSITION

NOTES:

1. DETAIL SHOWS **AIR-BLOC ALL WEATHER STPE FLUID APPLIED VAPOR PERMEABLE AIR BARRIER**. SUBSTRATE SHOWN IS FOR REFERENCE ONLY. ACCEPTABLE SUBSTRATES INCLUDE PLYWOOD, OSB, CONCRETE, CMU, METAL, AND EXTERIOR GRADE SHEATHING.
2. ADHESION OF COMPONENTS DEPICTED IN THIS DETAIL PROGRESSIVELY INCREASE AFTER INITIAL APPLICATION. ALLOW A MINIMUM OF 7 DAYS AFTER INSTALLATION TO CONDUCT ADHESION TESTS IF REQUIRED.
3. FILL GROUT AND STRIKE CMU JOINTS FULL AND FLUSH TO CREATE A CONTINUOUS SUBSTRATE. REFER TO PRODUCT SPECIFIC TECHNICAL DATA SHEET FOR CURE TIME PRIOR TO INSTALLATION.
4. REFER TO NON-MOVING JOINT DETAILS FOR ALTERNATE CONSTRUCTION JOINT FLASHING OPTIONS .
5. OTHER FLASHING OPTIONS INCLUDE: **BLUESKIN SA LT, BLUESKIN METAL CLAD OR BLUESKIN BUTYL FLASH.**
6. HENRY SELF-ADHERED MEMBRANES (INCLUDING **BLUESKIN SA, BLUESKIN SA LT, BLUESKIN TWF, BLUESKIN METAL CLAD OR BLUESKIN BUTYL FLASH**) MUST BE INSTALLED WITH **AQUATAC PRIMER** WHEN APPLIED ONTO CURED **AIR-BLOC ALL WEATHER STPE**.
7. INSULATION, CLADDING AND OPTIONAL VAPOR BARRIER NOT SHOWN FOR CLARITY. REFER TO LOCAL CODE ORDINANCES FOR INSULATION AND VAPOR BARRIER REQUIREMENTS.
8. REFER TO PRODUCT SPECIFIC TECHNICAL DATA SHEET (TDS), **AIR-BLOC ALL WEATHER STPE GUIDE SPECIFICATION** AND **AIR-BLOC ALL WEATHER STPE INSTALLATION MANUAL** FOR INSTALLATION PROCEDURES.

Henry[®]

999 N. Pacific Coast Highway, Suite 800
El Segundo, CA 90245
800-486-1278 • www.henry.com

MANUFACTURER GUIDE DETAILS ARE FOR REFERENCE ONLY. HENRY DOES NOT ASSUME RESPONSIBILITY FOR ERRORS OR DEVIATIONS IN DESIGN OR ENGINEERING. PROJECT SPECIFIC VERIFICATION IS RECOMMENDED PRIOR TO INSTALLATION.

AIR-BLOC ALL WEATHER STPE

SUBSTRATE TRANSITION

DISSIMILAR SUBSTRATE TRANSITIONS
SUBSTRATE GAPS UP TO 1/2" MAXIMUM

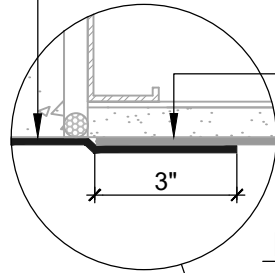
SCALE: N.T.S.

01-10-2020

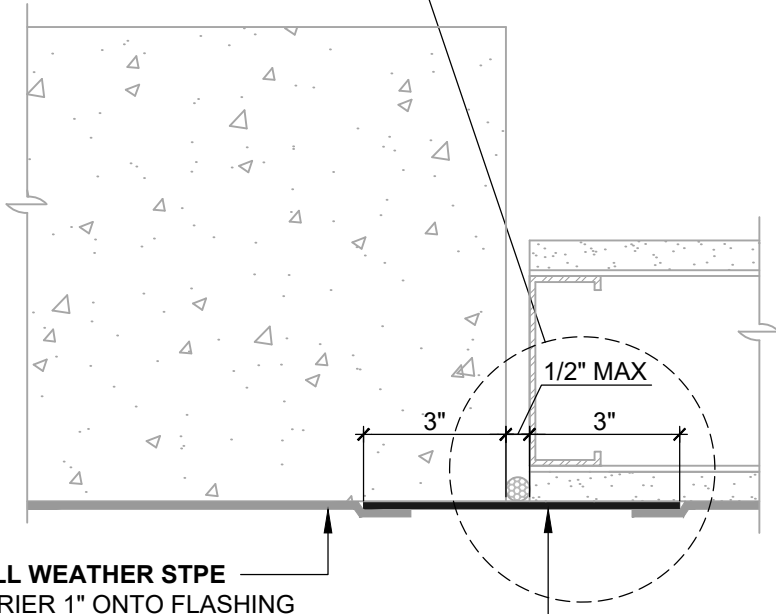
ABSTPE-4A

BLUESKIN SA OR AIR-BLOC LF
 (SEE NOTE #5 AND REFER TO DETAIL ABSTPE-7A1
 FOR **AIR-BLOC ALL WEATHER STPE** REVERSE LAP
 INSTALLATION INSTRUCTIONS)

AIR-BLOC ALL WEATHER STPE



FLASHING INSTALLED AFTER WRB
 REVERSE LAP



AIR-BLOC ALL WEATHER STPE
 LAP AIR BARRIER 1" ONTO FLASHING

BLUESKIN SA OR AIR-BLOC LF (SEE NOTE #5)

NON-MOVING JOINT (PLAN VIEW)
 CONTROL JOINT/SUBSTRATE TRANSITION

NOTES:

1. DETAIL SHOWS **AIR-BLOC ALL WEATHER STPE FLUID APPLIED VAPOR PERMEABLE AIR BARRIER**. SUBSTRATE SHOWN IS FOR REFERENCE ONLY. ACCEPTABLE SUBSTRATES INCLUDE PLYWOOD, OSB, CONCRETE, CMU, METAL, AND EXTERIOR GRADE SHEATHING.
2. ADHESION OF COMPONENTS DEPICTED IN THIS DETAIL PROGRESSIVELY INCREASE AFTER INITIAL APPLICATION. ALLOW A MINIMUM OF 7 DAYS AFTER INSTALLATION TO CONDUCT ADHESION TESTS IF REQUIRED.
3. REFER TO NON-MOVING JOINT DETAILS FOR ALTERNATE CONSTRUCTION JOINT FLASHING OPTIONS .
4. OTHER FLASHING OPTIONS INCLUDE: **BLUESKIN SA LT**, **BLUESKIN METAL CLAD** OR **BLUESKIN BUTYL FLASH**.
5. HENRY SELF-ADHERED MEMBRANES (INCLUDING **BLUESKIN SA**, **BLUESKIN SA LT**, **BLUESKIN TWF**, **BLUESKIN METAL CLAD** OR **BLUESKIN BUTYL FLASH**) MUST BE INSTALLED WITH **AQUATAC PRIMER** WHEN APPLIED ONTO CURED **AIR-BLOC ALL WEATHER STPE**.
6. INSULATION, CLADDING AND OPTIONAL VAPOR BARRIER NOT SHOWN FOR CLARITY. REFER TO LOCAL CODE ORDINANCES FOR INSULATION AND VAPOR BARRIER REQUIREMENTS.
7. REFER TO PRODUCT SPECIFIC TECHNICAL DATA SHEET (TDS), **AIR-BLOC ALL WEATHER STPE** GUIDE SPECIFICATION AND **AIR-BLOC ALL WEATHER STPE** INSTALLATION MANUAL FOR INSTALLATION PROCEDURES.

Henry[®]

999 N. Pacific Coast Highway, Suite 800
 El Segundo, CA 90245
 800-486-1278 • www.henry.com

MANUFACTURER GUIDE DETAILS ARE FOR REFERENCE ONLY. HENRY DOES NOT ASSUME RESPONSIBILITY FOR ERRORS OR DEVIATIONS IN DESIGN OR ENGINEERING. PROJECT SPECIFIC VERIFICATION IS RECOMMENDED PRIOR TO INSTALLATION.

AIR-BLOC ALL WEATHER STPE

SUBSTRATE TRANSITION

DISSIMILAR SUBSTRATE TRANSITIONS
SUBSTRATE GAPS UP TO 1/2" MAXIMUM

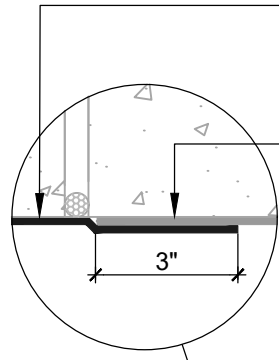
SCALE: N.T.S.

01-10-2020

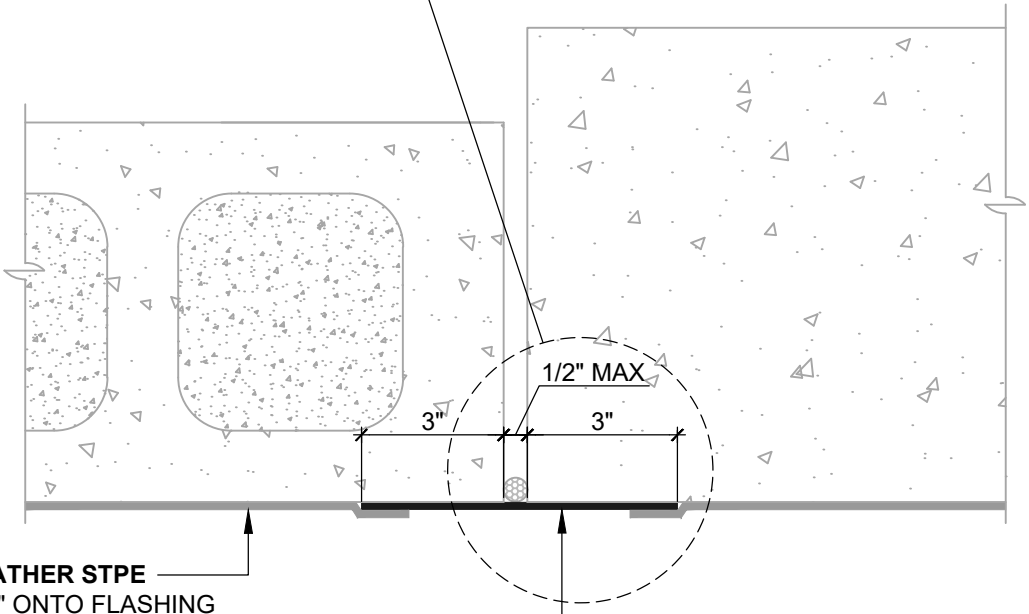
ABSTPE-4B

BLUESKIN SA OR AIR-BLOC LF
 (SEE NOTE #5 AND REFER TO DETAIL ABSTPE-7A1
 FOR **AIR-BLOC ALL WEATHER STPE** REVERSE
 LAP INSTALLATION INSTRUCTIONS)

AIR-BLOC ALL WEATHER STPE



FLASHING INSTALLED AFTER WRB
 REVERSE LAP



AIR-BLOC ALL WEATHER STPE
 LAP AIR BARRIER 1" ONTO FLASHING

BLUESKIN SA OR AIR-BLOC LF (SEE NOTE #5)

NON-MOVING JOINT (PLAN VIEW)
 CONTROL JOINT/SUBSTRATE TRANSITION

NOTES:

1. DETAIL SHOWS **AIR-BLOC ALL WEATHER STPE FLUID APPLIED VAPOR PERMEABLE AIR BARRIER**. SUBSTRATE SHOWN IS FOR REFERENCE ONLY. ACCEPTABLE SUBSTRATES INCLUDE PLYWOOD, OSB, CONCRETE, CMU, METAL, AND EXTERIOR GRADE SHEATHING.
2. ADHESION OF COMPONENTS DEPICTED IN THIS DETAIL PROGRESSIVELY INCREASE AFTER INITIAL APPLICATION. ALLOW A MINIMUM OF 7 DAYS AFTER INSTALLATION TO CONDUCT ADHESION TESTS IF REQUIRED.
3. REFER TO NON-MOVING JOINT DETAILS FOR ALTERNATE CONSTRUCTION JOINT FLASHING OPTIONS .
4. OTHER FLASHING OPTIONS INCLUDE: **BLUESKIN SA LT, BLUESKIN METAL CLAD** OR **BLUESKIN BUTYL FLASH**.
5. HENRY SELF-ADHERED MEMBRANES (INCLUDING **BLUESKIN SA, BLUESKIN SA LT, BLUESKIN TWF, BLUESKIN METAL CLAD** OR **BLUESKIN BUTYL FLASH**) MUST BE INSTALLED WITH **AQUATAC PRIMER** WHEN APPLIED ONTO CURED **AIR-BLOC ALL WEATHER STPE**.
6. INSULATION, CLADDING AND OPTIONAL VAPOR BARRIER NOT SHOWN FOR CLARITY. REFER TO LOCAL CODE ORDINANCES FOR INSULATION AND VAPOR BARRIER REQUIREMENTS.
7. REFER TO PRODUCT SPECIFIC TECHNICAL DATA SHEET (TDS), **AIR-BLOC ALL WEATHER STPE** GUIDE SPECIFICATION AND **AIR-BLOC ALL WEATHER STPE** INSTALLATION MANUAL FOR INSTALLATION PROCEDURES.



999 N. Pacific Coast Highway, Suite 800
 El Segundo, CA 90245
 800-486-1278 • www.henry.com

MANUFACTURER GUIDE DETAILS ARE FOR REFERENCE ONLY. HENRY DOES NOT ASSUME RESPONSIBILITY FOR ERRORS OR DEVIATIONS IN DESIGN OR ENGINEERING. PROJECT SPECIFIC VERIFICATION IS RECOMMENDED PRIOR TO INSTALLATION.

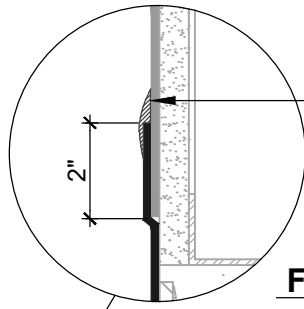
AIR-BLOC ALL WEATHER STPE

SUBSTRATE TRANSITION

DISSIMILAR SUBSTRATE TRANSITIONS
SUBSTRATE GAPS UP TO 1/2" MAXIMUM

SCALE: N.T.S. 01-10-2020

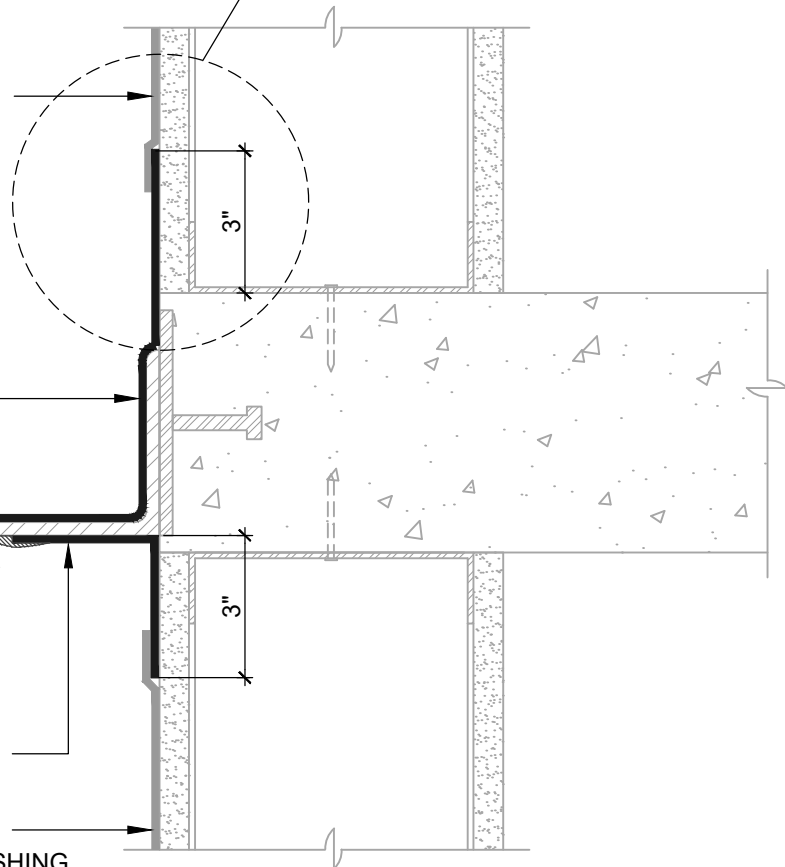
ABSTPE-4C



SEE NOTE #3 AND REFER TO DETAIL
 ABSTPE-7A1 FOR **AIR-BLOC ALL
 WEATHER STPE REVERSE LAP**
 INSTALLATION INSTRUCTIONS

FLASHING INSTALLED AFTER WRB
 REVERSE LAP

AIR-BLOC ALL WEATHER STPE
 LAP AIR BARRIER 1" ONTO
 FLASHING



BLUESKIN TWF
 (SEE NOTE #3)

**HENRY 925 BES SEALANT
 OR AIR-BLOC LF**
 ENCAPSULATE EDGE OF
 SELF-ADHERED FLASHING
 REVERSE LAP

BLUESKIN SA OR AIR-BLOC LF
 (SEE NOTE #3)

AIR-BLOC ALL WEATHER STPE
 LAP AIR BARRIER 1" ONTO FLASHING

NOTES:

1. DETAIL SHOWS **AIR-BLOC ALL WEATHER STPE FLUID APPLIED VAPOR PERMEABLE AIR BARRIER**. SUBSTRATE SHOWN IS FOR REFERENCE ONLY. ACCEPTABLE SUBSTRATES INCLUDE PLYWOOD, OSB, CONCRETE, CMU, METAL, AND EXTERIOR GRADE SHEATHING.
2. ADHESION OF COMPONENTS DEPICTED IN THIS DETAIL PROGRESSIVELY INCREASE AFTER INITIAL APPLICATION. ALLOW A MINIMUM OF 7 DAYS AFTER INSTALLATION TO CONDUCT ADHESION TESTS IF REQUIRED.
3. HENRY SELF-ADHERED MEMBRANES (INCLUDING **BLUESKIN SA, BLUESKIN SA LT, BLUESKIN TWF, BLUESKIN METAL CLAD OR BLUESKIN BUTYL FLASH**) MUST BE INSTALLED WITH **AQUATAC PRIMER** WHEN APPLIED ONTO CURED **AIR-BLOC ALL WEATHER STPE**.
4. INSULATION, CLADDING AND OPTIONAL VAPOR BARRIER NOT SHOWN FOR CLARITY. REFER TO LOCAL CODE ORDINANCES FOR INSULATION AND VAPOR BARRIER REQUIREMENTS.
5. REFER TO PRODUCT SPECIFIC TECHNICAL DATA SHEET (TDS), **AIR-BLOC ALL WEATHER STPE GUIDE SPECIFICATION** AND **AIR-BLOC ALL WEATHER STPE INSTALLATION MANUAL** FOR INSTALLATION PROCEDURES.



999 N. Pacific Coast Highway, Suite 800
 El Segundo, CA 90245
 800-486-1278 • www.henry.com

MANUFACTURER GUIDE DETAILS ARE FOR REFERENCE ONLY. HENRY DOES NOT ASSUME RESPONSIBILITY FOR ERRORS OR DEVIATIONS IN DESIGN OR ENGINEERING. PROJECT SPECIFIC VERIFICATION IS RECOMMENDED PRIOR TO INSTALLATION.

AIR-BLOC ALL WEATHER STPE

THRU-WALL FLASHING

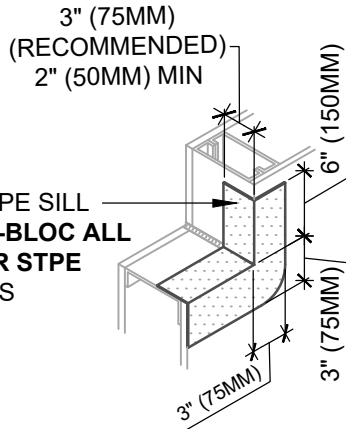
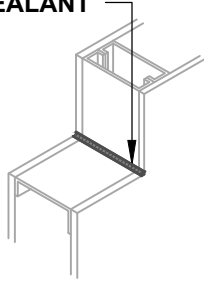
**DISSIMILAR SUBSTRATE TRANSITIONS
 CONTINUOUS LINTEL/STEEL ANGLE**

SCALE: N.T.S.

01-10-2020

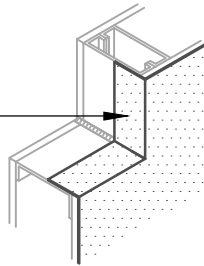
ABSTPE-5A

**HENRY 925 BES SEALANT
OR AIR-BLOC LF**



**PRE-STRIPE SILL
WITH AIR-BLOC ALL
WEATHER STPE
AT 20 MILS**

**AIR-BLOC ALL
WEATHER STPE**



WINDOW FLASHING

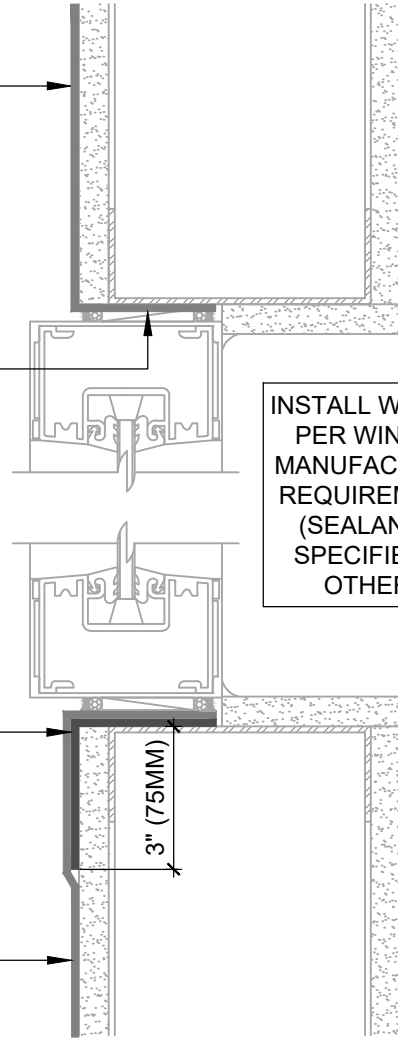
ISOMETRIC VIEW

**AIR-BLOC ALL
WEATHER STPE**

**EXTEND AIR-BLOC
ALL WEATHER STPE
3\" (75MM)
(SUGGESTED) INTO
ROUGH OPENING
(2\" (50MM) MIN)**

**PRE-STRIPE SILL
WITH AIR-BLOC ALL
WEATHER STPE
AT 20 MILS**

**AIR-BLOC ALL
WEATHER STPE**



**INSTALL WINDOW
PER WINDOW
MANUFACTURER
REQUIREMENTS
(SEALANT AS
SPECIFIED BY
OTHERS)**

WINDOW FLASHING

SECTION VIEW

NOTES:

1. DETAIL SHOWS **AIR-BLOC ALL WEATHER STPE FLUID APPLIED VAPOR PERMEABLE AIR BARRIER**. SUBSTRATE SHOWN IS FOR REFERENCE ONLY. ACCEPTABLE SUBSTRATES INCLUDE PLYWOOD, OSB, CONCRETE, CMU, METAL, AND EXTERIOR GRADE SHEATHING.
2. ADHESION OF COMPONENTS DEPICTED IN THIS DETAIL PROGRESSIVELY INCREASE AFTER INITIAL APPLICATION. ALLOW A MINIMUM OF 7 DAYS AFTER INSTALLATION TO CONDUCT ADHESION TESTS IF REQUIRED.
3. PRIME CUT/RAW EDGES OF EXPOSED GYPSUM SHEATHING CORE PRIOR TO **AIR-BLOC ALL WEATHER STPE** APPLICATION. RECOMMENDED PRIMER/ADHESIVE INCLUDE: **BLUESKIN SPRAY PREP**.
4. HENRY WINDOW FLASHING DETAILS ARE BASED ON ASTM E2112. ACTUAL CONDITIONS MAY VARY. VERIFY PROJECT SPECIFIC WINDOW INSTALLATION REQUIREMENTS AND FLASHING COMPATIBILITY WITH DESIGN PROFESSIONAL.
5. INSULATION, CLADDING AND OPTIONAL INTERIOR VAPOR BARRIER NOT SHOWN FOR CLARITY. REFER TO LOCAL CODE ORDINANCES FOR INSULATION AND VAPOR BARRIER REQUIREMENTS.
6. REFER TO PRODUCT SPECIFIC TECHNICAL DATA SHEET (TDS), **AIR-BLOC ALL WEATHER STPE** GUIDE SPECIFICATION AND **AIR-BLOC ALL WEATHER STPE** INSTALLATION MANUAL FOR INSTALLATION PROCEDURES.

Henry[®]

999 N. Pacific Coast Highway, Suite 800
El Segundo, CA 90245
800-486-1278 • www.henry.com

MANUFACTURER GUIDE DETAILS ARE FOR REFERENCE ONLY. HENRY DOES NOT ASSUME RESPONSIBILITY FOR ERRORS OR DEVIATIONS IN DESIGN OR ENGINEERING. PROJECT SPECIFIC VERIFICATION IS RECOMMENDED PRIOR TO INSTALLATION.

AIR-BLOC ALL WEATHER STPE

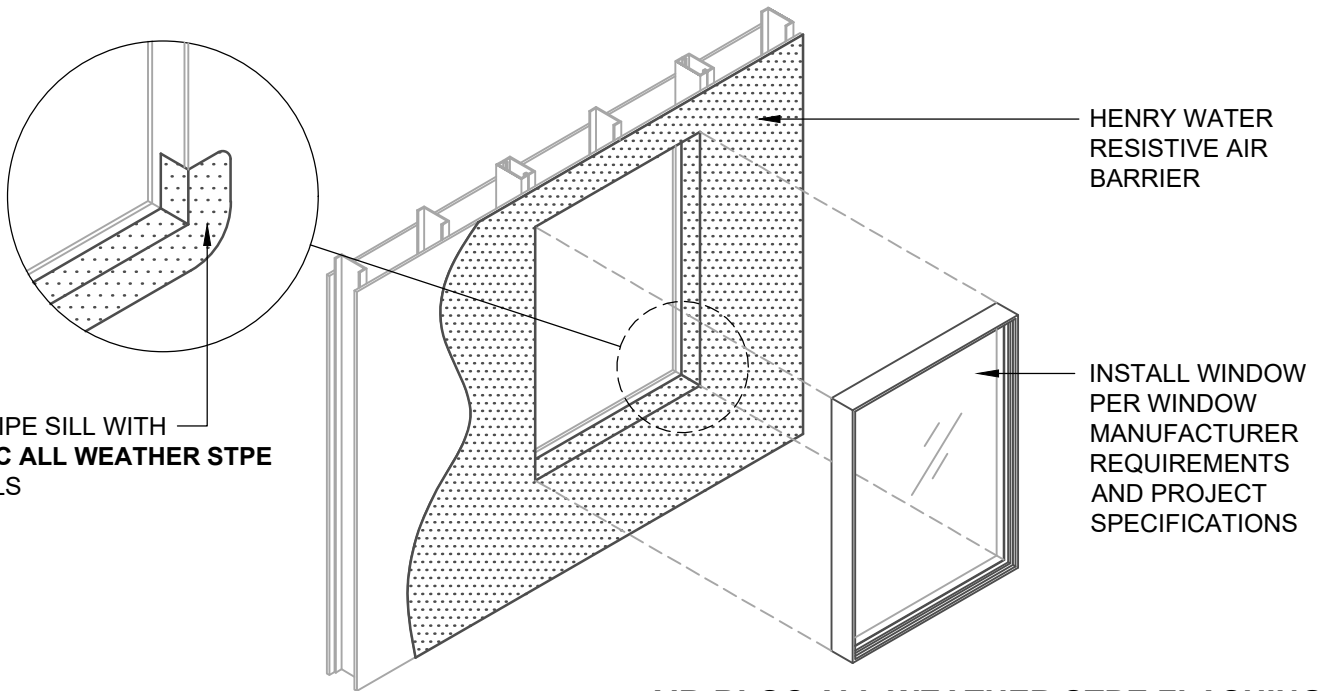
NON-FLANGED WINDOW

**AIR-BLOC ALL WEATHER STPE FLASHING
AT ROUGH OPENING**

SCALE: N.T.S.

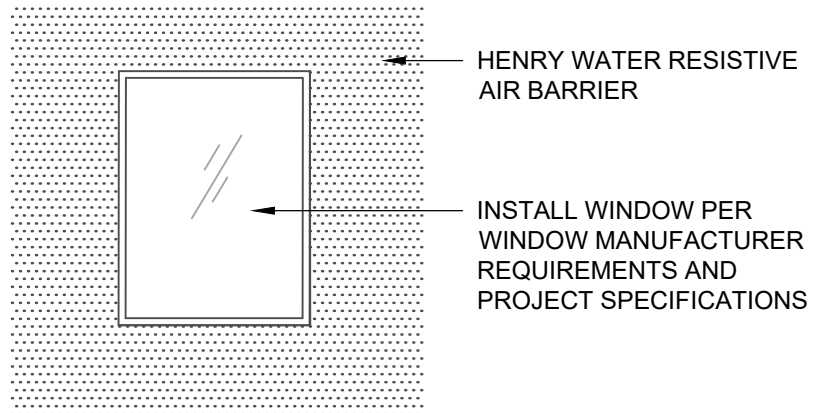
11-12-2021

ABSTPE-6-A1



AIR-BLOC ALL WEATHER STPE FLASHING

ISOMETRIC VIEW



AIR-BLOC ALL WEATHER STPE FLASHING

ELEVATION VIEW

Henry WATER RESISTIVE BARRIER (WRB) ASSEMBLY

HENRY WATER RESISTIVE AIR BARRIER

- AIR-BLOC ALL WEATHER STPE

HENRY WINDOW FLASHING

- AIR-BLOC ALL WEATHER STPE

NOTES:

1. DETAIL SHOWS **AIR-BLOC ALL WEATHER STPE FLUID APPLIED VAPOR PERMEABLE AIR BARRIER**. SUBSTRATE SHOWN IS FOR REFERENCE ONLY. ACCEPTABLE SUBSTRATES INCLUDE PLYWOOD, OSB, CONCRETE, CMU, METAL, AND EXTERIOR GRADE SHEATHING.
2. ADHESION OF COMPONENTS DEPICTED IN THIS DETAIL PROGRESSIVELY INCREASE AFTER INITIAL APPLICATION. ALLOW A MINIMUM OF 7 DAYS AFTER INSTALLATION TO CONDUCT ADHESION TESTS IF REQUIRED.
3. PRIME CUT/RAW EDGES OF EXPOSED GYPSUM SHEATHING CORE PRIOR TO **AIR-BLOC ALL WEATHER STPE** APPLICATION. RECOMMENDED PRIMER/ADHESIVE INCLUDE: **BLUESKIN SPRAY PREP**.
4. INSULATION, CLADDING AND OPTIONAL INTERIOR VAPOR BARRIER NOT SHOWN FOR CLARITY. REFER TO LOCAL CODE ORDINANCES FOR INSULATION AND VAPOR BARRIER REQUIREMENTS.
5. REFER TO PRODUCT SPECIFIC TECHNICAL DATA SHEET (TDS), **AIR-BLOC ALL WEATHER STPE** GUIDE SPECIFICATION AND **AIR-BLOC ALL WEATHER STPE** INSTALLATION MANUAL FOR INSTALLATION PROCEDURES.

Henry®

999 N. Pacific Coast Highway, Suite 800
El Segundo, CA 90245
800-486-1278 • www.henry.com

MANUFACTURER GUIDE DETAILS ARE FOR REFERENCE ONLY. HENRY DOES NOT ASSUME RESPONSIBILITY FOR ERRORS OR DEVIATIONS IN DESIGN OR ENGINEERING. PROJECT SPECIFIC VERIFICATION IS RECOMMENDED PRIOR TO INSTALLATION.

AIR-BLOC ALL WEATHER STPE

NON-FLANGED WINDOW

AIR-BLOC ALL WEATHER STPE FLASHING AT ROUGH OPENING

SCALE: N.T.S.

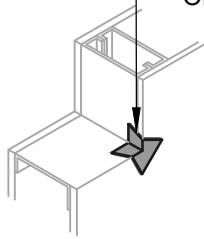
11-12-2021

ABSTPE-6-A2

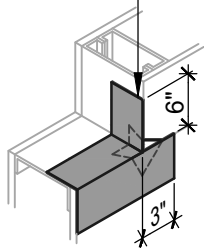
OPTION #1

GUSSET

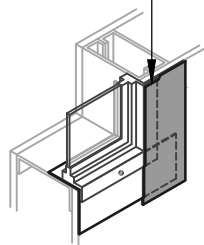
BLUESKIN SA



BLUESKIN SA



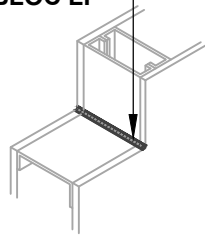
BLUESKIN SA



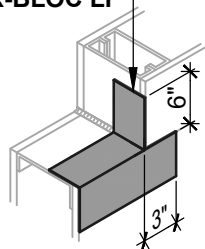
OPTION #2

SEALANT

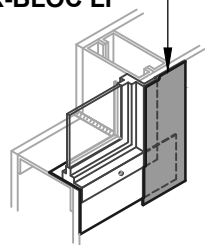
HENRY 925 BES SEALANT OR AIR-BLOC LF



BLUESKIN SA OR AIR-BLOC LF



BLUESKIN SA OR AIR-BLOC LF



AIR-BLOC ALL WEATHER STPE (LAP AIR BARRIER 1" ONTO FLASHING)

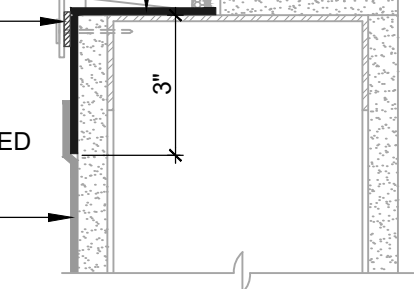
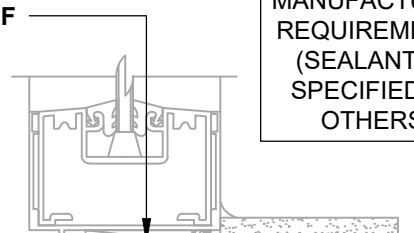
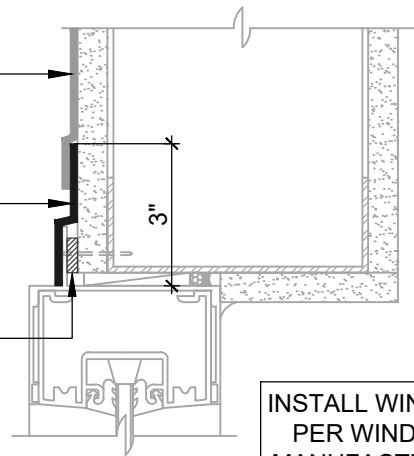
BLUESKIN SA OR AIR-BLOC LF (SEE NOTE #6)

SET WINDOW FLANGE INTO A BED OF HENRY 925 BES SEALANT

BLUESKIN SA OR AIR-BLOC LF EXTEND FLASHING 3" (SUGGESTED) INTO ROUGH OPENING (2" MIN) (SEE NOTE #6)

SET WINDOW FLANGE INTO A BED OF HENRY 925 BES SEALANT (APPLY INTERMITTENTLY ON SILL FLANGE WHERE REQUIRED TO ALLOW DRAINAGE)

AIR-BLOC ALL WEATHER STPE (LAP AIR BARRIER 1" ONTO FLASHING)



INSTALL WINDOW PER WINDOW MANUFACTURER REQUIREMENTS (SEALANT AS SPECIFIED BY OTHERS)

WINDOW SILL/JAMB FLASHING

GUSSET CORNER FLASHING

ASTM E2112 - METHOD A (SECTION VIEW)

FLASHING INSTALLED BEFORE WRB

NOTES:

1. DETAIL SHOWS **AIR-BLOC ALL WEATHER STPE FLUID APPLIED VAPOR PERMEABLE AIR BARRIER**. SUBSTRATE SHOWN IS FOR REFERENCE ONLY. ACCEPTABLE SUBSTRATES INCLUDE PLYWOOD, OSB, CONCRETE, CMU, METAL, AND EXTERIOR GRADE SHEATHING.
2. ADHESION OF COMPONENTS DEPICTED IN THIS DETAIL PROGRESSIVELY INCREASE AFTER INITIAL APPLICATION. ALLOW A MINIMUM OF 7 DAYS AFTER INSTALLATION TO CONDUCT ADHESION TESTS IF REQUIRED.
3. PRIME CUT/RAW EDGES OF EXPOSED GYPSUM SHEATHING CORE PRIOR TO **AIR-BLOC LF** APPLICATION. RECOMMENDED PRIMER/ADHESIVE INCLUDE: **BLUESKIN SPRAY PREP**.
4. HENRY WINDOW FLASHING DETAILS ARE BASED ON ASTM E2112. ACTUAL CONDITIONS MAY VARY. VERIFY PROJECT SPECIFIC WINDOW INSTALLATION REQUIREMENTS AND FLASHING COMPATIBILITY WITH DESIGN PROFESSIONAL.
5. OTHER FLASHING OPTIONS INCLUDE: **BLUESKIN SA LT**, **BLUESKIN METAL CLAD** OR **BLUESKIN BUTYL FLASH**.
6. HENRY SELF-ADHERED MEMBRANES (INCLUDING **BLUESKIN SA**, **BLUESKIN SA LT**, **BLUESKIN TWF**, **BLUESKIN METAL CLAD** OR **BLUESKIN BUTYL FLASH**) MUST BE INSTALLED WITH **AQUATAC PRIMER** WHEN APPLIED ONTO CURED **AIR-BLOC ALL WEATHER STPE**.
7. INSULATION, CLADDING AND OPTIONAL VAPOR BARRIER NOT SHOWN FOR CLARITY. REFER TO LOCAL CODE ORDINANCES FOR INSULATION AND VAPOR BARRIER REQUIREMENTS.
8. REFER TO PRODUCT SPECIFIC TECHNICAL DATA SHEET (TDS), **AIR-BLOC ALL WEATHER STPE** GUIDE SPECIFICATION AND **AIR-BLOC ALL WEATHER STPE** INSTALLATION MANUAL FOR INSTALLATION PROCEDURES.



999 N. Pacific Coast Highway, Suite 800
El Segundo, CA 90245
800-486-1278 • www.henry.com

MANUFACTURER GUIDE DETAILS ARE FOR REFERENCE ONLY. HENRY DOES NOT ASSUME RESPONSIBILITY FOR ERRORS OR DEVIATIONS IN DESIGN OR ENGINEERING. PROJECT SPECIFIC VERIFICATION IS RECOMMENDED PRIOR TO INSTALLATION.

AIR-BLOC ALL WEATHER STPE

FLANGED WINDOW

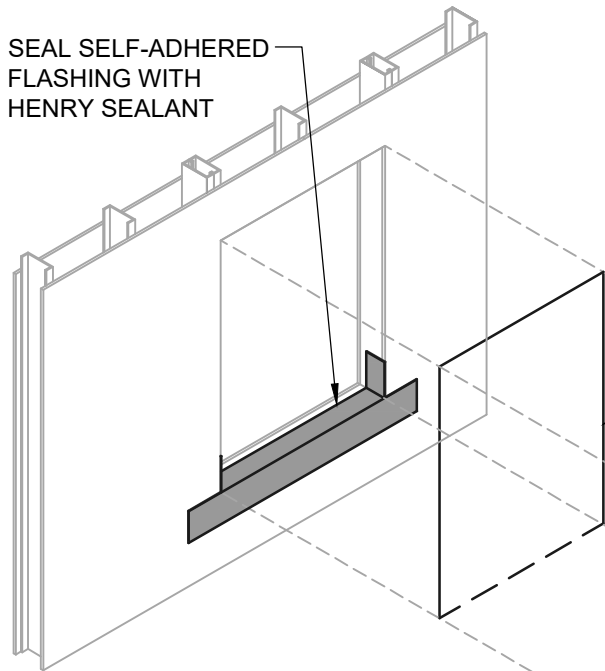
**ASTM E2112 METHOD A
FLASHING INSTALLED BEFORE WRB**

SCALE: N.T.S.

01-10-2020

ABSTPE-6A-A

SEAL SELF-ADHERED FLASHING WITH HENRY SEALANT



SET WINDOW FLANGE INTO A BED OF HENRY SEALANT (APPLY INTERMITTENTLY ON SILL FLANGE AS REQUIRED PER WINDOW MANUFACTURER)

HENRY WINDOW FLASHING (SEE NOTE #4)

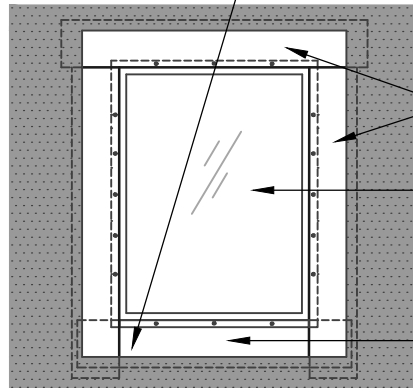
INSTALL WINDOW PER WINDOW MANUFACTURER REQUIREMENTS

HENRY WINDOW FLASHING (SEE NOTE #4)

ASTM E2112 - METHOD A (ISOMETRIC)
FLASHING INSTALLED BEFORE WRB

Henry WATER RESISTIVE BARRIER (WRB) ASSEMBLY

HENRY WATER RESISTIVE BARRIER
• AIR-BLOC ALL WEATHER STPE
HENRY WINDOW FLASHING
• BLUESKIN SA (SEE NOTE #4)
• AIR-BLOC LF
HENRY SEALANT
• HENRY 925 BES SEALANT



DO NOT FLASH OVER BOTTOM NAILING FLANGE

HENRY WATER RESISTIVE AIR BARRIER

HENRY WINDOW FLASHING (SEE NOTE #4)

INSTALL WINDOW PER WINDOW MANUFACTURER REQUIREMENTS

HENRY WINDOW FLASHING (SEE NOTE #4)

ASTM E2112 - METHOD A (ELEVATION)
FLASHING INSTALLED BEFORE WRB

NOTES:

1. DETAIL SHOWS **AIR-BLOC ALL WEATHER STPE FLUID APPLIED VAPOR PERMEABLE AIR BARRIER**. SUBSTRATE SHOWN IS FOR REFERENCE ONLY. ACCEPTABLE SUBSTRATES INCLUDE PLYWOOD, OSB, CONCRETE, CMU, METAL, AND EXTERIOR GRADE SHEATHING.
2. ADHESION OF COMPONENTS DEPICTED IN THIS DETAIL PROGRESSIVELY INCREASE AFTER INITIAL APPLICATION. ALLOW A MINIMUM OF 7 DAYS AFTER INSTALLATION TO CONDUCT ADHESION TESTS IF REQUIRED.
3. OTHER FLASHING OPTIONS INCLUDE: **BLUESKIN SA LT, BLUESKIN METAL CLAD OR BLUESKIN BUTYL FLASH**.
4. HENRY SELF-ADHERED MEMBRANES (INCLUDING **BLUESKIN SA, BLUESKIN SA LT, BLUESKIN TWF, BLUESKIN METAL CLAD OR BLUESKIN BUTYL FLASH**) MUST BE INSTALLED WITH **AQUATAC PRIMER** WHEN APPLIED ONTO CURED **AIR-BLOC ALL WEATHER STPE**.
5. REFER TO PRODUCT SPECIFIC TECHNICAL DATA SHEET (TDS), **AIR-BLOC ALL WEATHER STPE GUIDE SPECIFICATION** AND **AIR-BLOC ALL WEATHER STPE INSTALLATION MANUAL** FOR INSTALLATION PROCEDURES.



999 N. Pacific Coast Highway, Suite 800
El Segundo, CA 90245
800-486-1278 • www.henry.com

MANUFACTURER GUIDE DETAILS ARE FOR REFERENCE ONLY. HENRY DOES NOT ASSUME RESPONSIBILITY FOR ERRORS OR DEVIATIONS IN DESIGN OR ENGINEERING. PROJECT SPECIFIC VERIFICATION IS RECOMMENDED PRIOR TO INSTALLATION.

AIR-BLOC ALL WEATHER STPE

FLANGED WINDOW

**ASTM E2112 METHOD A
FLASHING INSTALLED BEFORE WRB**

SCALE: N.T.S.

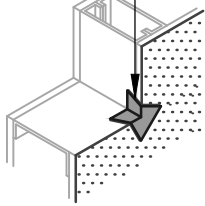
01-10-2020

ABSTPE-6A-C

OPTION #1

GUSSET

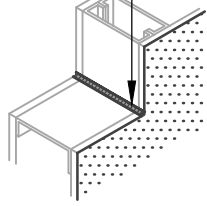
BLUESKIN SA



OPTION #2

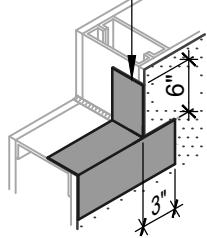
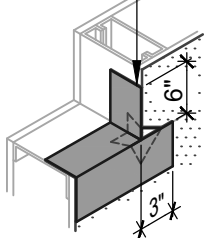
SEALANT

HENRY 925 BES SEALANT
OR AIR-BLOC LF



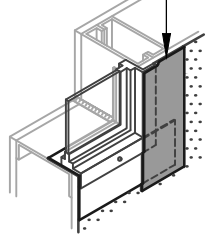
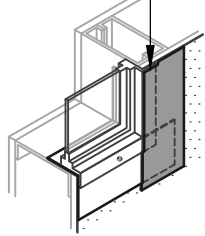
BLUESKIN SA

BLUESKIN SA
OR AIR-BLOC LF



BLUESKIN SA

BLUESKIN SA
OR AIR-BLOC LF



AIR-BLOC ALL WEATHER STPE

HENRY 925 BES SEALANT,
AIR-BLOC LF OR
AIR-BLOC ALL WEATHER STPE
(SEE NOTE #6 AND DETAIL
ABSTPE-7A1 FOR AIR-BLOC ALL
WEATHER STPE REVERSE LAP
INSTALLATION INSTRUCTIONS)

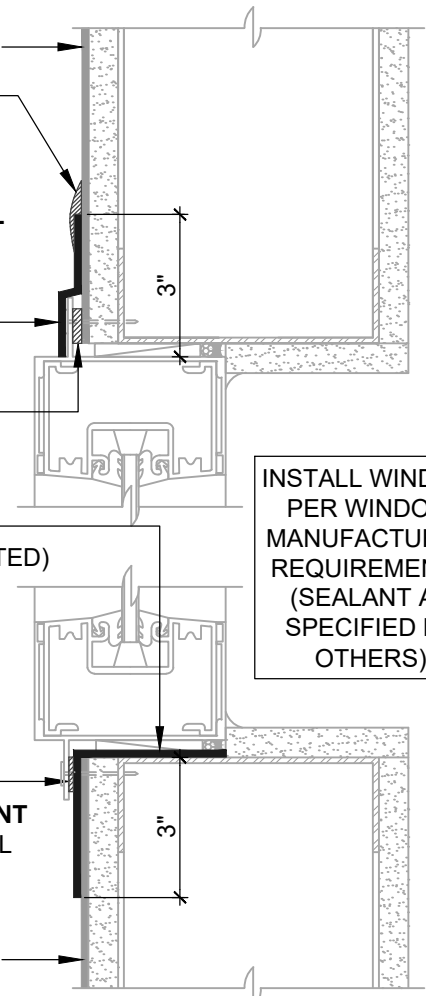
BLUESKIN SA OR AIR-BLOC LF
(SEE NOTE #6)

SET WINDOW FLANGE
INTO A BED OF
HENRY 925 BES SEALANT

BLUESKIN SA OR AIR-BLOC LF
EXTEND FLASHING 3" (SUGGESTED)
INTO ROUGH OPENING (2" MIN)
(SEE NOTE #6 AND DETAIL
ABSTPE-7A1 FOR
AIR-BLOC ALL WEATHER STPE
REVERSE LAP INSTALLATION
INSTRUCTIONS)

SET WINDOW FLANGE INTO A
BED OF HENRY 925 BES SEALANT
APPLY INTERMITTENTLY ON SILL
FLANGE WHERE REQUIRED TO
ALLOW DRAINAGE

AIR-BLOC ALL WEATHER STPE



INSTALL WINDOW
PER WINDOW
MANUFACTURER
REQUIREMENTS
(SEALANT AS
SPECIFIED BY
OTHERS)

WINDOW SILL/JAMB FLASHING

GUSSET CORNER FLASHING

ASTM E2112- METHOD A1 (SECTION VIEW)

FLASHING INSTALLED AFTER WRB

NOTES:

1. DETAIL SHOWS AIR-BLOC ALL WEATHER STPE FLUID APPLIED VAPOR PERMEABLE AIR BARRIER. SUBSTRATE SHOWN IS FOR REFERENCE ONLY. ACCEPTABLE SUBSTRATES INCLUDE PLYWOOD, OSB, CONCRETE, CMU, METAL, AND EXTERIOR GRADE SHEATHING.
2. ADHESION OF COMPONENTS DEPICTED IN THIS DETAIL PROGRESSIVELY INCREASE AFTER INITIAL APPLICATION. ALLOW A MINIMUM OF 7 DAYS AFTER INSTALLATION TO CONDUCT ADHESION TESTS IF REQUIRED.
3. PRIME CUT/RAW EDGES OF EXPOSED GYPSUM SHEATHING CORE PRIOR TO AIR-BLOC LF APPLICATION. RECOMMENDED PRIMER/ADHESIVE INCLUDE: BLUESKIN SPRAY PREP.
4. HENRY WINDOW FLASHING DETAILS ARE BASED ON ASTM E2112. ACTUAL CONDITIONS MAY VARY. VERIFY PROJECT SPECIFIC WINDOW INSTALLATION REQUIREMENTS AND FLASHING COMPATIBILITY WITH DESIGN PROFESSIONAL.
5. OTHER FLASHING OPTIONS INCLUDE: BLUESKIN SA LT, BLUESKIN METAL CLAD OR BLUESKIN BUTYL FLASH.
6. HENRY SELF-ADHERED MEMBRANES (INCLUDING BLUESKIN SA, BLUESKIN SA LT, BLUESKIN TWF, BLUESKIN METAL CLAD OR BLUESKIN BUTYL FLASH) MUST BE INSTALLED WITH AQUATAC PRIMER WHEN APPLIED ONTO CURED AIR-BLOC ALL WEATHER STPE.
7. INSULATION, CLADDING AND OPTIONAL VAPOR BARRIER NOT SHOWN FOR CLARITY. REFER TO LOCAL CODE ORDINANCES FOR INSULATION AND VAPOR BARRIER REQUIREMENTS.
8. REFER TO PRODUCT SPECIFIC TECHNICAL DATA SHEET (TDS), AIR-BLOC ALL WEATHER STPE GUIDE SPECIFICATION AND AIR-BLOC ALL WEATHER STPE INSTALLATION MANUAL FOR INSTALLATION PROCEDURES.



999 N. Pacific Coast Highway, Suite 800
El Segundo, CA 90245
800-486-1278 • www.henry.com

MANUFACTURER GUIDE DETAILS ARE FOR REFERENCE ONLY. HENRY DOES NOT ASSUME RESPONSIBILITY FOR ERRORS OR DEVIATIONS IN DESIGN OR ENGINEERING. PROJECT SPECIFIC VERIFICATION IS RECOMMENDED PRIOR TO INSTALLATION.

AIR-BLOC ALL WEATHER STPE

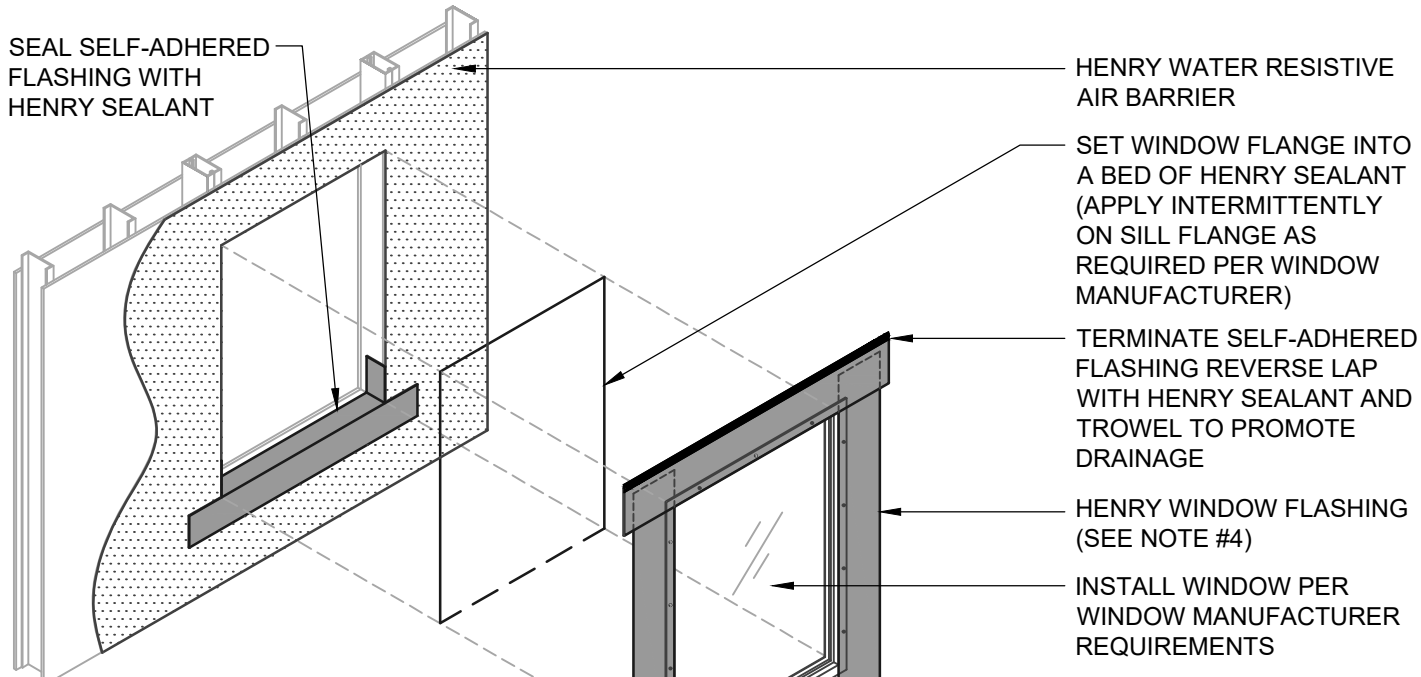
FLANGED WINDOW

ASTM E2112 METHOD A1
FLASHING INSTALLED AFTER WRB

SCALE: N.T.S.

01-10-2020

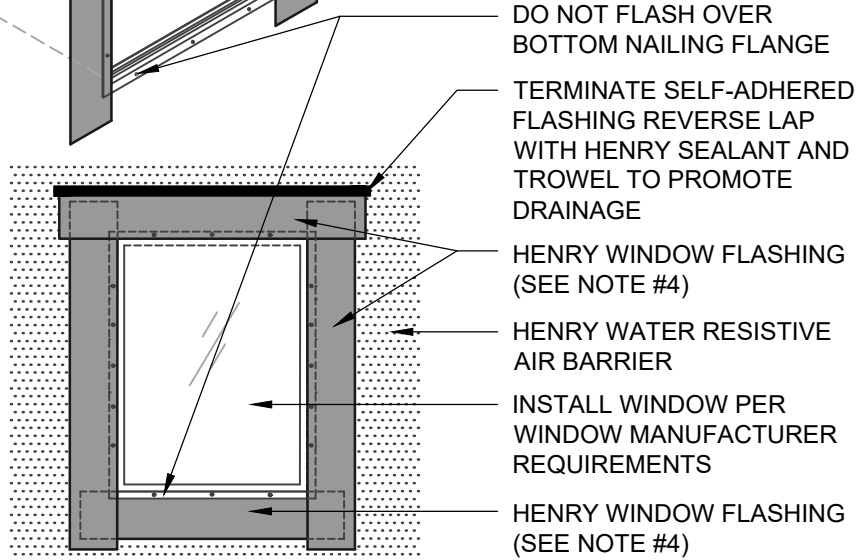
ABSTPE-6A1-A



ASTM E2112 - METHOD A1
FLASHING INSTALLED AFTER WRB

Henry WATER RESISTIVE BARRIER (WRB) ASSEMBLY

HENRY WATER RESISTIVE AIR BARRIER
<ul style="list-style-type: none"> • AIR-BLOC ALL WEATHER STPE
HENRY WINDOW FLASHING
<ul style="list-style-type: none"> • BLUESKIN SA (SEE NOTE #4 AND REFER TO DETAIL ABSTPE-7A1 FOR AIR-BLOC ALL WEATHER STPE REVERSE LAP INSTALLATION INSTRUCTIONS) • AIR-BLOC LF
HENRY SEALANT
<ul style="list-style-type: none"> • HENRY 925 BES SEALANT



ASTM E2112 - METHOD A1 (ELEVATION)
FLASHING INSTALLED AFTER WRB

NOTES:

1. DETAIL SHOWS **AIR-BLOC ALL WEATHER STPE FLUID APPLIED VAPOR PERMEABLE AIR BARRIER**. SUBSTRATE SHOWN IS FOR REFERENCE ONLY. ACCEPTABLE SUBSTRATES INCLUDE PLYWOOD, OSB, CONCRETE, CMU, METAL, AND EXTERIOR GRADE SHEATHING.
2. ADHESION OF COMPONENTS DEPICTED IN THIS DETAIL PROGRESSIVELY INCREASE AFTER INITIAL APPLICATION. ALLOW A MINIMUM OF 7 DAYS AFTER INSTALLATION TO CONDUCT ADHESION TESTS IF REQUIRED.
3. OTHER FLASHING OPTIONS INCLUDE: **BLUESKIN SA LT, BLUESKIN METAL CLAD OR BLUESKIN BUTYL FLASH**.
4. HENRY SELF-ADHERED MEMBRANES (INCLUDING **BLUESKIN SA, BLUESKIN SA LT, BLUESKIN TWF, BLUESKIN METAL CLAD OR BLUESKIN BUTYL FLASH**) MUST BE INSTALLED WITH **AQUATAC PRIMER** WHEN APPLIED ONTO CURED **AIR-BLOC ALL WEATHER STPE**.
5. REFER TO PRODUCT SPECIFIC TECHNICAL DATA SHEET (TDS), **AIR-BLOC ALL WEATHER STPE GUIDE SPECIFICATION** AND **AIR-BLOC ALL WEATHER STPE INSTALLATION MANUAL** FOR INSTALLATION PROCEDURES.



999 N. Pacific Coast Highway, Suite 800
El Segundo, CA 90245
800-486-1278 • www.henry.com

MANUFACTURER GUIDE DETAILS ARE FOR REFERENCE ONLY. HENRY DOES NOT ASSUME RESPONSIBILITY FOR ERRORS OR DEVIATIONS IN DESIGN OR ENGINEERING. PROJECT SPECIFIC VERIFICATION IS RECOMMENDED PRIOR TO INSTALLATION.

AIR-BLOC ALL WEATHER STPE
FLANGED WINDOW
ASTM E2112 METHOD A1
FLASHING INSTALLED AFTER WRB

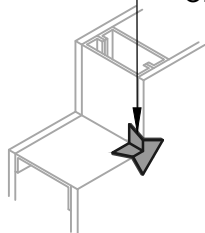
SCALE: N.T.S. 01-10-2020

ABSTPE-6A1-C

OPTION #1

GUSSET

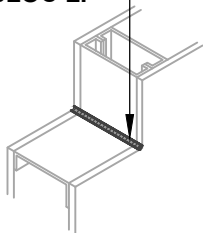
BLUESKIN SA



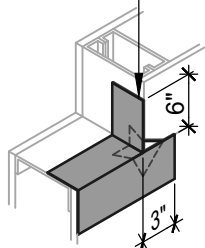
OPTION #2

SEALANT

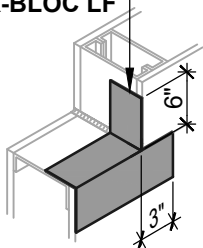
HENRY 925 BES SEALANT
OR AIR-BLOC LF



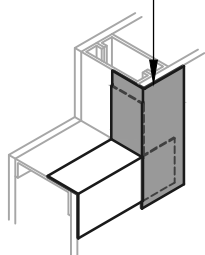
BLUESKIN SA



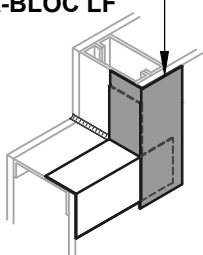
BLUESKIN SA
OR AIR-BLOC LF



BLUESKIN SA



BLUESKIN SA
OR AIR-BLOC LF



SILL FLASHING OPTION #2

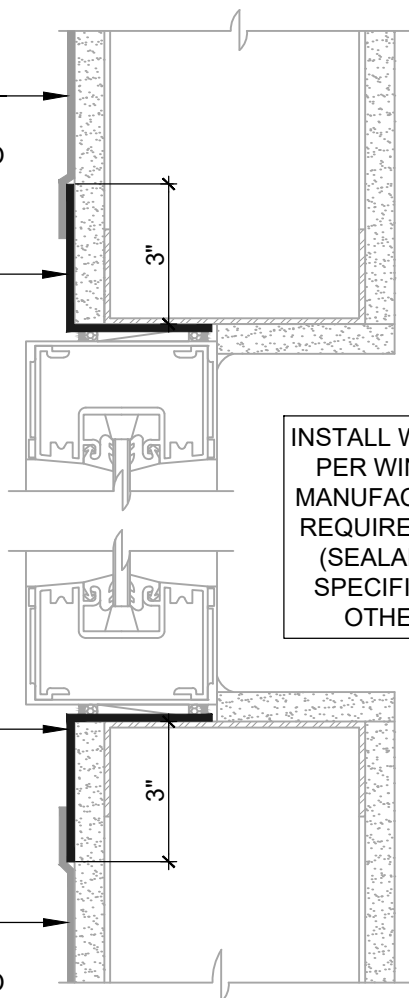
GUSSET CORNER FLASHING

AIR-BLOC ALL WEATHER STPE
LAP AIR BARRIER 1" ONTO
FLASHING

BLUESKIN SA OR
AIR-BLOC LF
EXTEND FLASHING
3" (SUGGESTED) INTO
ROUGH OPENING (2" MIN)
(SEE NOTE #6)

BLUESKIN SA OR
AIR-BLOC LF
EXTEND FLASHING
3" (SUGGESTED) INTO
ROUGH OPENING (2" MIN)
(SEE NOTE #6)

AIR-BLOC ALL WEATHER STPE
LAP AIR BARRIER 1" ONTO
FLASHING



INSTALL WINDOW
PER WINDOW
MANUFACTURER
REQUIREMENTS
(SEALANT AS
SPECIFIED BY
OTHERS)

ASTM E2112- METHOD B (SECTION VIEW)

FLASHING INSTALLED BEFORE WRB

NOTES:

1. DETAIL SHOWS AIR-BLOC ALL WEATHER STPE FLUID APPLIED VAPOR PERMEABLE AIR BARRIER. SUBSTRATE SHOWN IS FOR REFERENCE ONLY. ACCEPTABLE SUBSTRATES INCLUDE PLYWOOD, OSB, CONCRETE, CMU, METAL, AND EXTERIOR GRADE SHEATHING.
2. ADHESION OF COMPONENTS DEPICTED IN THIS DETAIL PROGRESSIVELY INCREASE AFTER INITIAL APPLICATION. ALLOW A MINIMUM OF 7 DAYS AFTER INSTALLATION TO CONDUCT ADHESION TESTS IF REQUIRED.
3. PRIME CUT/RAW EDGES OF EXPOSED GYPSUM SHEATHING CORE PRIOR TO AIR-BLOC LF APPLICATION. RECOMMENDED PRIMER/ADHESIVE INCLUDE: BLUESKIN SPRAY PREP.
4. HENRY WINDOW FLASHING DETAILS ARE BASED ON ASTM E2112. ACTUAL CONDITIONS MAY VARY. VERIFY PROJECT SPECIFIC WINDOW INSTALLATION REQUIREMENTS AND FLASHING COMPATIBILITY WITH DESIGN PROFESSIONAL.
5. OTHER FLASHING OPTIONS INCLUDE: BLUESKIN SA LT, BLUESKIN METAL CLAD OR BLUESKIN BUTYL FLASH.
6. HENRY SELF-ADHERED MEMBRANES (INCLUDING BLUESKIN SA, BLUESKIN SA LT, BLUESKIN TWF, BLUESKIN METAL CLAD OR BLUESKIN BUTYL FLASH) MUST BE INSTALLED WITH AQUATAC PRIMER WHEN APPLIED ONTO CURED AIR-BLOC ALL WEATHER STPE.
7. INSULATION, CLADDING AND OPTIONAL VAPOR BARRIER NOT SHOWN FOR CLARITY. REFER TO LOCAL CODE ORDINANCES FOR INSULATION AND VAPOR BARRIER REQUIREMENTS.
8. REFER TO PRODUCT SPECIFIC TECHNICAL DATA SHEET (TDS), AIR-BLOC ALL WEATHER STPE GUIDE SPECIFICATION AND AIR-BLOC ALL WEATHER STPE INSTALLATION MANUAL FOR INSTALLATION PROCEDURES.



999 N. Pacific Coast Highway, Suite 800
El Segundo, CA 90245
800-486-1278 • www.henry.com

MANUFACTURER GUIDE DETAILS ARE FOR REFERENCE ONLY. HENRY DOES NOT ASSUME RESPONSIBILITY FOR ERRORS OR DEVIATIONS IN DESIGN OR ENGINEERING. PROJECT SPECIFIC VERIFICATION IS RECOMMENDED PRIOR TO INSTALLATION.

AIR-BLOC ALL WEATHER STPE

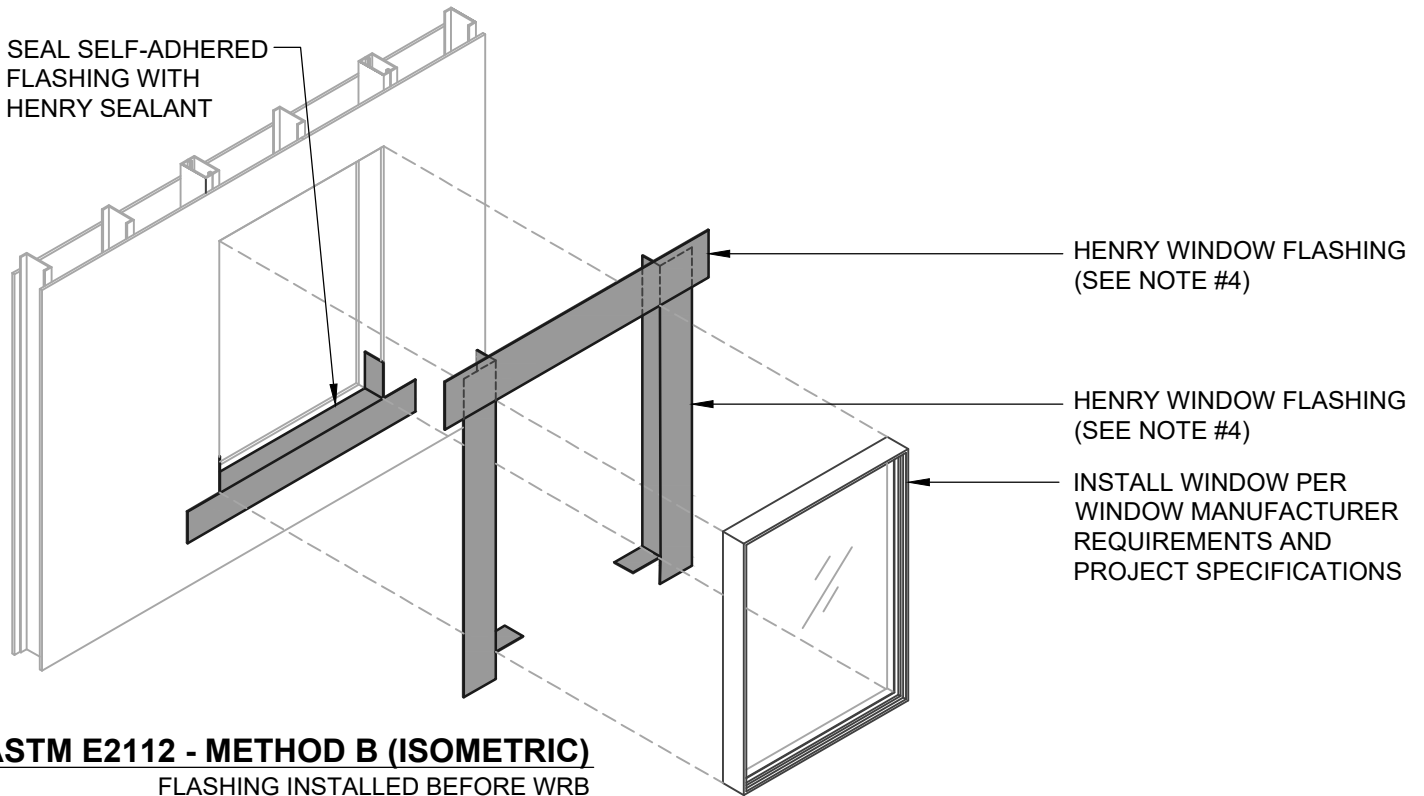
NON-FLANGED WINDOW

ASTM E2112 METHOD B
FLASHING INSTALLED BEFORE WRB

SCALE: N.T.S.

01-10-2020

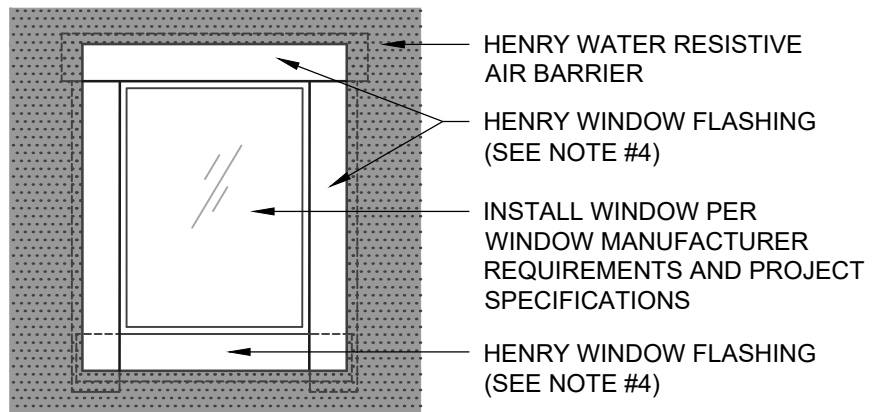
ABSTPE-6B-A



ASTM E2112 - METHOD B (ISOMETRIC)
FLASHING INSTALLED BEFORE WRB

Henry WATER RESISTIVE BARRIER (WRB) ASSEMBLY

HENRY WATER RESISTIVE AIR BARRIER
<ul style="list-style-type: none"> AIR-BLOC ALL WEATHER STPE
HENRY WINDOW FLASHING
<ul style="list-style-type: none"> BLUESKIN SA (SEE NOTE #4) AIR-BLOC LF
HENRY SEALANT
<ul style="list-style-type: none"> HENRY 925 BES SEALANT



ASTM E2112 - METHOD B (ELEVATION)
FLASHING INSTALLED BEFORE WRB

NOTES:

1. DETAIL SHOWS **AIR-BLOC ALL WEATHER STPE FLUID APPLIED VAPOR PERMEABLE AIR BARRIER**. SUBSTRATE SHOWN IS FOR REFERENCE ONLY. ACCEPTABLE SUBSTRATES INCLUDE PLYWOOD, OSB, CONCRETE, CMU, METAL, AND EXTERIOR GRADE SHEATHING.
2. ADHESION OF COMPONENTS DEPICTED IN THIS DETAIL PROGRESSIVELY INCREASE AFTER INITIAL APPLICATION. ALLOW A MINIMUM OF 7 DAYS AFTER INSTALLATION TO CONDUCT ADHESION TESTS IF REQUIRED.
3. OTHER FLASHING OPTIONS INCLUDE: **BLUESKIN SA LT, BLUESKIN METAL CLAD OR BLUESKIN BUTYL FLASH**.
4. HENRY SELF-ADHERED MEMBRANES (INCLUDING **BLUESKIN SA, BLUESKIN SA LT, BLUESKIN TWF, BLUESKIN METAL CLAD OR BLUESKIN BUTYL FLASH**) MUST BE INSTALLED WITH **AQUATAC PRIMER** WHEN APPLIED ONTO CURED **AIR-BLOC ALL WEATHER STPE**.
5. REFER TO PRODUCT SPECIFIC TECHNICAL DATA SHEET (TDS), **AIR-BLOC ALL WEATHER STPE GUIDE SPECIFICATION** AND **AIR-BLOC ALL WEATHER STPE INSTALLATION MANUAL** FOR INSTALLATION PROCEDURES.



999 N. Pacific Coast Highway, Suite 800
El Segundo, CA 90245
800-486-1278 • www.henry.com

MANUFACTURER GUIDE DETAILS ARE FOR REFERENCE ONLY. HENRY DOES NOT ASSUME RESPONSIBILITY FOR ERRORS OR DEVIATIONS IN DESIGN OR ENGINEERING. PROJECT SPECIFIC VERIFICATION IS RECOMMENDED PRIOR TO INSTALLATION.

AIR-BLOC ALL WEATHER STPE

NON-FLANGED WINDOW

**ASTM E2112 METHOD B
FLASHING INSTALLED BEFORE WRB**

SCALE: N.T.S.

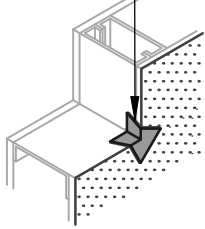
01-10-2020

ABSTPE-6B-C

OPTION #1

GUSSET

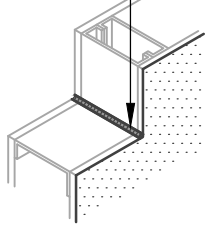
BLUESKIN SA



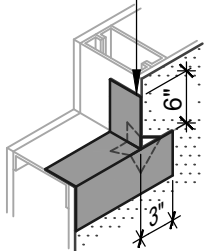
OPTION #2

SEALANT

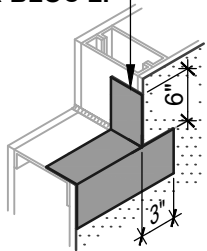
HENRY 925 BES SEALANT
OR AIR-BLOC LF



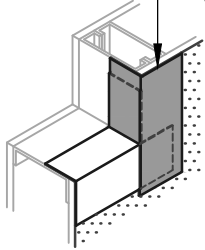
BLUESKIN SA



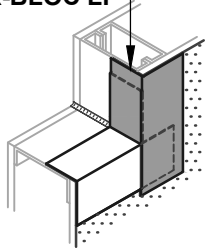
BLUESKIN SA
OR AIR-BLOC LF



BLUESKIN SA



BLUESKIN SA
OR AIR-BLOC LF

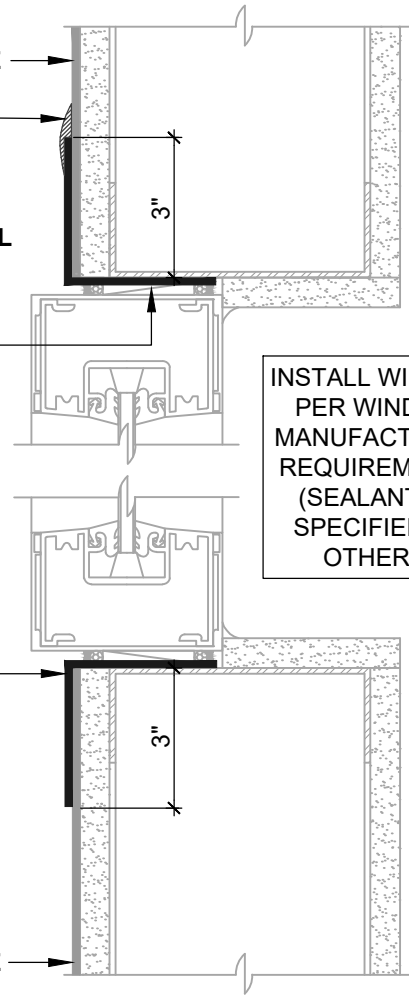


AIR-BLOC ALL WEATHER STPE
HENRY 925 BES SEALANT,
AIR-BLOC LF OR
AIR-BLOC ALL WEATHER STPE
(SEE NOTE #6 AND DETAIL
ABSTPE-7A1 FOR AIR-BLOC ALL
WEATHER STPE REVERSE LAP
INSTALLATION INSTRUCTIONS)

BLUESKIN SA
OR AIR-BLOC LF
EXTEND FLASHING
3" (SUGGESTED) INTO
ROUGH OPENING (2" MIN)
(SEE NOTE #6 AND DETAIL
ABSTPE-7A1 FOR
AIR-BLOC ALL WEATHER STPE
REVERSE LAP INSTRUCTIONS)

BLUESKIN SA OR
AIR-BLOC LF
EXTEND FLASHING
3" (SUGGESTED) INTO
ROUGH OPENING (2" MIN)
(SEE NOTE #6 AND DETAIL
ABSTPE-7A1 FOR
AIR-BLOC ALL WEATHER STPE
REVERSE LAP INSTRUCTIONS)

AIR-BLOC ALL WEATHER STPE



INSTALL WINDOW
PER WINDOW
MANUFACTURER
REQUIREMENTS
(SEALANT AS
SPECIFIED BY
OTHERS)

SILL FLASHING OPTION #2

GUSSET CORNER FLASHING

ASTM E2112- METHOD B1 (SECTION VIEW)

FLASHING INSTALLED AFTER WRB

NOTES:

1. DETAIL SHOWS AIR-BLOC ALL WEATHER STPE FLUID APPLIED VAPOR PERMEABLE AIR BARRIER. SUBSTRATE SHOWN IS FOR REFERENCE ONLY. ACCEPTABLE SUBSTRATES INCLUDE PLYWOOD, OSB, CONCRETE, CMU, METAL, AND EXTERIOR GRADE SHEATHING.
2. ADHESION OF COMPONENTS DEPICTED IN THIS DETAIL PROGRESSIVELY INCREASE AFTER INITIAL APPLICATION. ALLOW A MINIMUM OF 7 DAYS AFTER INSTALLATION TO CONDUCT ADHESION TESTS IF REQUIRED.
3. PRIME CUT/RAW EDGES OF EXPOSED GYPSUM SHEATHING CORE PRIOR TO AIR-BLOC LF APPLICATION. RECOMMENDED PRIMER/ADHESIVE INCLUDE: BLUESKIN SPRAY PREP.
4. HENRY WINDOW FLASHING DETAILS ARE BASED ON ASTM E2112. ACTUAL CONDITIONS MAY VARY. VERIFY PROJECT SPECIFIC WINDOW INSTALLATION REQUIREMENTS AND FLASHING COMPATIBILITY WITH DESIGN PROFESSIONAL.
5. OTHER FLASHING OPTIONS INCLUDE: BLUESKIN SA LT, BLUESKIN METAL CLAD OR BLUESKIN BUTYL FLASH.
6. HENRY SELF-ADHERED MEMBRANES (INCLUDING BLUESKIN SA, BLUESKIN SA LT, BLUESKIN TWF, BLUESKIN METAL CLAD OR BLUESKIN BUTYL FLASH) MUST BE INSTALLED WITH AQUATAC PRIMER WHEN APPLIED ONTO CURED AIR-BLOC ALL WEATHER STPE.
7. INSULATION, CLADDING AND OPTIONAL VAPOR BARRIER NOT SHOWN FOR CLARITY. REFER TO LOCAL CODE ORDINANCES FOR INSULATION AND VAPOR BARRIER REQUIREMENTS.
8. REFER TO PRODUCT SPECIFIC TECHNICAL DATA SHEET (TDS), AIR-BLOC ALL WEATHER STPE GUIDE SPECIFICATION AND AIR-BLOC ALL WEATHER STPE INSTALLATION MANUAL FOR INSTALLATION PROCEDURES.



999 N. Pacific Coast Highway, Suite 800
El Segundo, CA 90245
800-486-1278 • www.henry.com

MANUFACTURER GUIDE DETAILS ARE FOR REFERENCE ONLY. HENRY DOES NOT ASSUME RESPONSIBILITY FOR ERRORS OR DEVIATIONS IN DESIGN OR ENGINEERING. PROJECT SPECIFIC VERIFICATION IS RECOMMENDED PRIOR TO INSTALLATION.

AIR-BLOC ALL WEATHER STPE

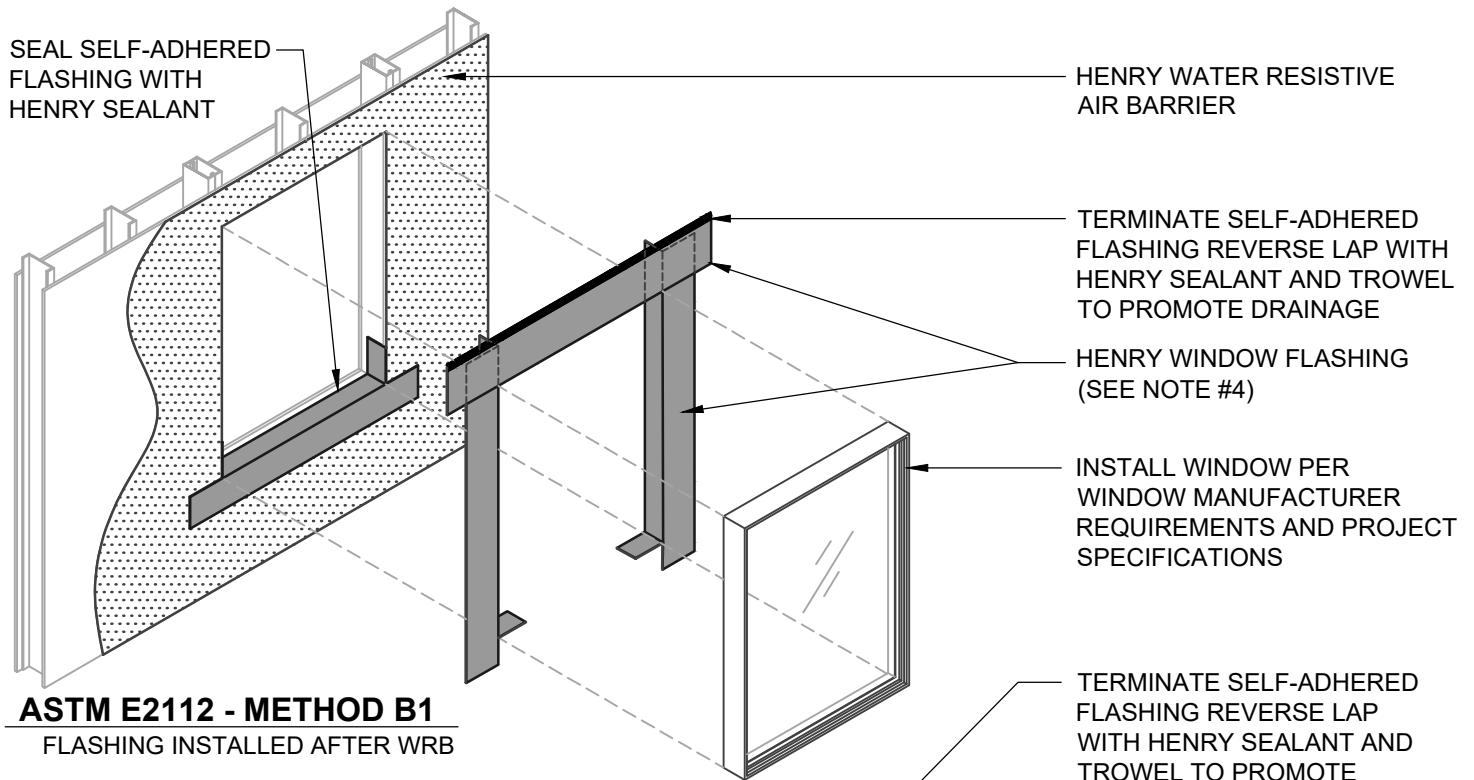
NON-FLANGED WINDOW

ASTM E2112 METHOD B1
FLASHING INSTALLED AFTER WRB

SCALE: N.T.S.

01-10-2020

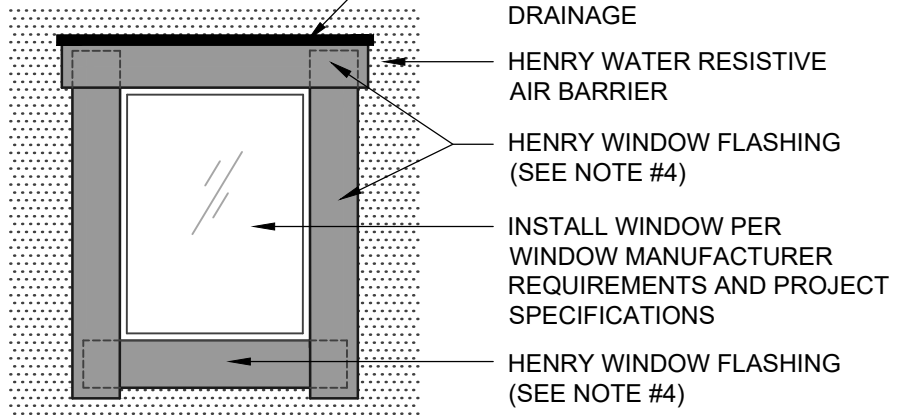
ABSTPE-6B1-A



ASTM E2112 - METHOD B1
FLASHING INSTALLED AFTER WRB

Henry WATER RESISTIVE BARRIER (WRB) ASSEMBLY

HENRY WATER RESISTIVE AIR BARRIER
<ul style="list-style-type: none"> AIR-BLOC ALL WEATHER STPE
HENRY WINDOW FLASHING
<ul style="list-style-type: none"> BLUESKIN SA (SEE NOTE #4 AND REFER TO DETAIL ABSTPE-7A1 FOR AIR-BLOC ALL WEATHER STPE REVERSE LAP INSTALLATION INSTRUCTIONS) AIR-BLOC LF
HENRY SEALANT
<ul style="list-style-type: none"> HENRY 925 BES SEALANT



ASTM E2112 - METHOD B1 (ELEVATION)
FLASHING INSTALLED AFTER WRB

NOTES:

1. DETAIL SHOWS **AIR-BLOC ALL WEATHER STPE FLUID APPLIED VAPOR PERMEABLE AIR BARRIER**. SUBSTRATE SHOWN IS FOR REFERENCE ONLY. ACCEPTABLE SUBSTRATES INCLUDE PLYWOOD, OSB, CONCRETE, CMU, METAL, AND EXTERIOR GRADE SHEATHING.
2. ADHESION OF COMPONENTS DEPICTED IN THIS DETAIL PROGRESSIVELY INCREASE AFTER INITIAL APPLICATION. ALLOW A MINIMUM OF 7 DAYS AFTER INSTALLATION TO CONDUCT ADHESION TESTS IF REQUIRED.
3. OTHER FLASHING OPTIONS INCLUDE: **BLUESKIN SA LT**, **BLUESKIN METAL CLAD** OR **BLUESKIN BUTYL FLASH**.
4. HENRY SELF-ADHERED MEMBRANES (INCLUDING **BLUESKIN SA**, **BLUESKIN SA LT**, **BLUESKIN TWF**, **BLUESKIN METAL CLAD** OR **BLUESKIN BUTYL FLASH**) MUST BE INSTALLED WITH **AQUATAC PRIMER** WHEN APPLIED ONTO CURED **AIR-BLOC ALL WEATHER STPE**.
5. REFER TO PRODUCT SPECIFIC TECHNICAL DATA SHEET (TDS), **AIR-BLOC ALL WEATHER STPE** GUIDE SPECIFICATION AND **AIR-BLOC ALL WEATHER STPE** INSTALLATION MANUAL FOR INSTALLATION PROCEDURES.



999 N. Pacific Coast Highway, Suite 800
El Segundo, CA 90245
800-486-1278 • www.henry.com

MANUFACTURER GUIDE DETAILS ARE FOR REFERENCE ONLY. HENRY DOES NOT ASSUME RESPONSIBILITY FOR ERRORS OR DEVIATIONS IN DESIGN OR ENGINEERING. PROJECT SPECIFIC VERIFICATION IS RECOMMENDED PRIOR TO INSTALLATION.

AIR-BLOC ALL WEATHER STPE

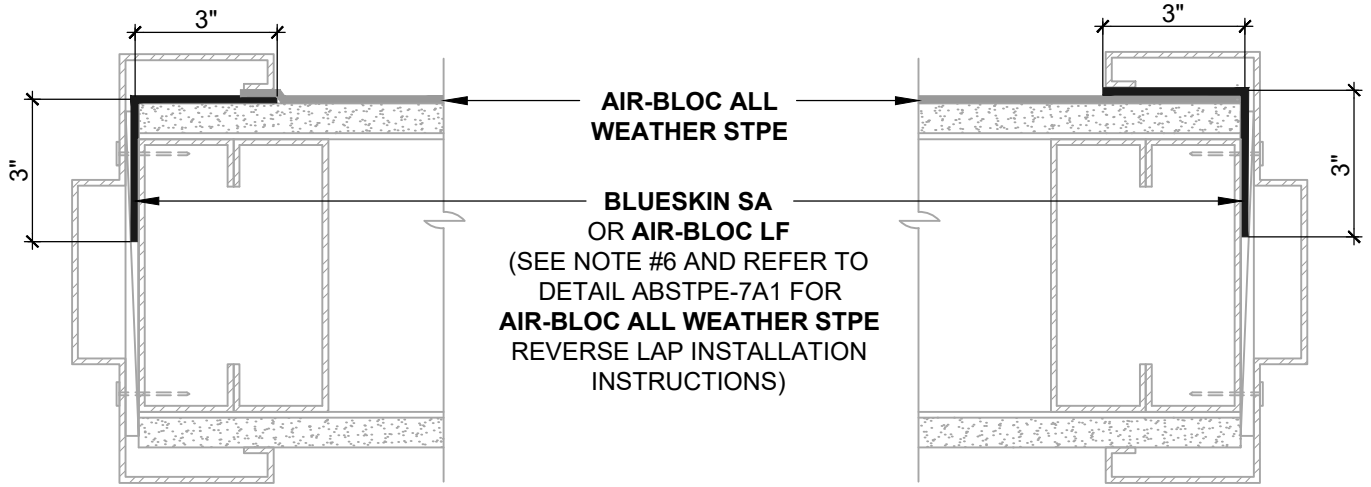
NON-FLANGED WINDOW

ASTM E2112 METHOD B1
FLASHING INSTALLED AFTER WRB

SCALE: N.T.S.

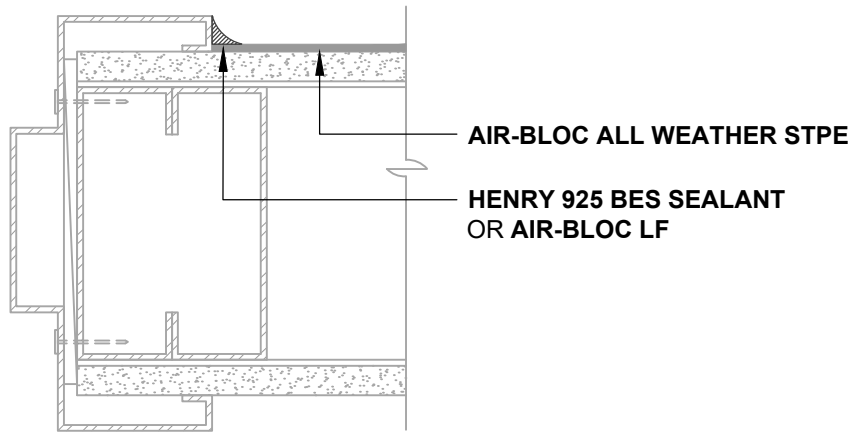
01-10-2020

ABSTPE-6B1-C



ASTM E2112- METHOD B1 (PLAN VIEW)
FLASHING INSTALLED BEFORE WRB

ASTM E2112- METHOD B1 (PLAN VIEW)
FLASHING INSTALLED AFTER WRB



ASTM E2112- METHOD A (PLAN VIEW)
WRB INSTALLED AFTER DOOR FRAME

NOTES:

1. DETAIL SHOWS **AIR-BLOC ALL WEATHER STPE FLUID APPLIED VAPOR PERMEABLE AIR BARRIER**. SUBSTRATE SHOWN IS FOR REFERENCE ONLY. ACCEPTABLE SUBSTRATES INCLUDE PLYWOOD, OSB, CONCRETE, CMU, METAL, AND EXTERIOR GRADE SHEATHING.
2. ADHESION OF COMPONENTS DEPICTED IN THIS DETAIL PROGRESSIVELY INCREASE AFTER INITIAL APPLICATION. ALLOW A MINIMUM OF 7 DAYS AFTER INSTALLATION TO CONDUCT ADHESION TESTS IF REQUIRED.
3. PRIME CUT/RAW EDGES OF EXPOSED GYPSUM SHEATHING CORE PRIOR TO **AIR-BLOC LF** APPLICATION. RECOMMENDED PRIMER/ADHESIVE INCLUDE: **BLUESKIN SPRAY PREP**.
4. HENRY DOOR FLASHING DETAILS ARE BASED ON ASTM E2112. ACTUAL CONDITIONS MAY VARY. VERIFY PROJECT SPECIFIC WINDOW INSTALLATION REQUIREMENTS AND FLASHING COMPATIBILITY WITH DESIGN PROFESSIONAL.
5. OTHER FLASHING OPTIONS INCLUDE: **BLUESKIN SA LT, BLUESKIN METAL CLAD OR BLUESKIN BUTYL FLASH**.
6. HENRY SELF-ADHERED MEMBRANES (INCLUDING **BLUESKIN SA, BLUESKIN SA LT, BLUESKIN TWF, BLUESKIN METAL CLAD OR BLUESKIN BUTYL FLASH**) MUST BE INSTALLED WITH **AQUATAC PRIMER** WHEN APPLIED ONTO CURED **AIR-BLOC ALL WEATHER STPE**.
7. INSULATION, CLADDING AND OPTIONAL VAPOR BARRIER NOT SHOWN FOR CLARITY. REFER TO LOCAL CODE ORDINANCES FOR INSULATION AND VAPOR BARRIER REQUIREMENTS.
8. REFER TO PRODUCT SPECIFIC TECHNICAL DATA SHEET (TDS), **AIR-BLOC ALL WEATHER STPE** GUIDE SPECIFICATION AND **AIR-BLOC ALL WEATHER STPE** INSTALLATION MANUAL FOR INSTALLATION PROCEDURES.



999 N. Pacific Coast Highway, Suite 800
El Segundo, CA 90245
800-486-1278 • www.henry.com

MANUFACTURER GUIDE DETAILS ARE FOR REFERENCE ONLY. HENRY DOES NOT ASSUME RESPONSIBILITY FOR ERRORS OR DEVIATIONS IN DESIGN OR ENGINEERING. PROJECT SPECIFIC VERIFICATION IS RECOMMENDED PRIOR TO INSTALLATION.

AIR-BLOC ALL WEATHER STPE

DOOR JAMB
TYPICAL JAMB FLASHING OPTIONS
HOLLOW METAL DOOR JAMB

SCALE: N.T.S. 01-10-2020

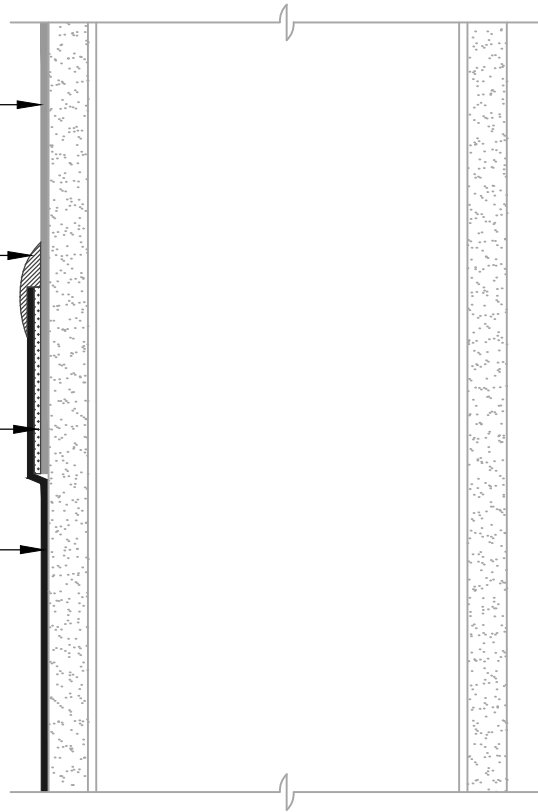
ABSTPE-6C

AIR-BLOC ALL WEATHER STPE

**AIR-BLOC LF, HENRY 925 BES SEALANT
OR AIR-BLOC ALL WEATHER STPE**
ENCAPSULATE UPPER EDGE OF
SELF-ADHERED FLASHING REVERSE LAP

AQUATAC PRIMER (SEE NOTE #2)

**BLUESKIN SA OR
BLUESKIN TWF**
(SEE NOTE #6)



REVERSE LAPS (SECTION VIEW)

FLASHING INSTALLED AFTER WRB

NOTES:

1. DETAIL SHOWS **AIR-BLOC ALL WEATHER STPE FLUID APPLIED VAPOR PERMEABLE AIR BARRIER**. SUBSTRATE SHOWN IS FOR REFERENCE ONLY. ACCEPTABLE SUBSTRATES INCLUDE PLYWOOD, OSB, CONCRETE, CMU, METAL, AND EXTERIOR GRADE SHEATHING.
2. ADHESION OF COMPONENTS DEPICTED IN THIS DETAIL PROGRESSIVELY INCREASE AFTER INITIAL APPLICATION. ALLOW A MINIMUM OF 7 DAYS AFTER INSTALLATION TO CONDUCT ADHESION TESTS IF REQUIRED.
3. REVERSE LAP INSTALLATION GUIDELINES:
 - 3.1. CURE **AIR-BLOC ALL WEATHER STPE** FOR A MINIMUM OF 24 HOURS.
 - 3.2. APPLY **AQUATAC PRIMER** ONTO AREA OF ANTICIPATED FLASHING INSTALLATION. ALLOW PRIMER TO CURE.
 - 3.3. APPLY SELF-ADHERED FLASHING ONTO CURED **AQUATAC PRIMER** AND IMMEDIATELY PRESSURE ROLL SELF-ADHERED FLASHING.
4. ENCAPSULATE UPPER EDGE OF SELF-ADHERED FLASHING WITH **AIR-BLOC ALL WEATHER STPE**.
5. OTHER FLASHING OPTIONS INCLUDE: **BLUESKIN SA LT, BLUESKIN METAL CLAD OR BLUESKIN BUTYL FLASH**.
6. HENRY SELF-ADHERED MEMBRANES (INCLUDING **BLUESKIN SA, BLUESKIN SA LT, BLUESKIN TWF, BLUESKIN METAL CLAD OR BLUESKIN BUTYL FLASH**) MUST BE INSTALLED WITH **AQUATAC PRIMER** WHEN APPLIED ONTO CURED **AIR-BLOC ALL WEATHER STPE**.
7. INSULATION, CLADDING AND OPTIONAL VAPOR BARRIER NOT SHOWN FOR CLARITY. REFER TO LOCAL CODE ORDINANCES FOR INSULATION AND VAPOR BARRIER REQUIREMENTS.
8. REFER TO PRODUCT SPECIFIC TECHNICAL DATA SHEET (TDS), **AIR-BLOC ALL WEATHER STPE GUIDE SPECIFICATION** AND **AIR-BLOC ALL WEATHER STPE INSTALLATION MANUAL** FOR INSTALLATION PROCEDURES.

Henry[®]

999 N. Pacific Coast Highway, Suite 800
El Segundo, CA 90245
800-486-1278 • www.henry.com

MANUFACTURER GUIDE DETAILS ARE FOR REFERENCE ONLY. HENRY DOES NOT ASSUME RESPONSIBILITY FOR ERRORS OR DEVIATIONS IN DESIGN OR ENGINEERING. PROJECT SPECIFIC VERIFICATION IS RECOMMENDED PRIOR TO INSTALLATION.

AIR-BLOC ALL WEATHER STPE

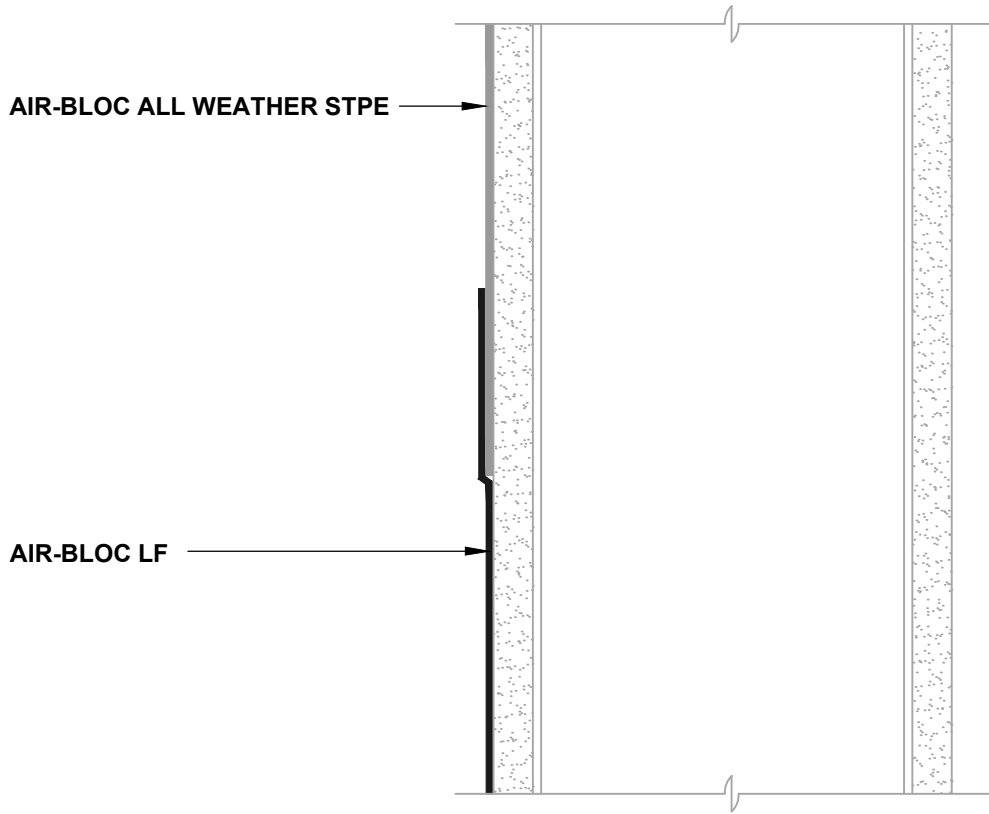
REVERSE LAP

**SELF-ADHERED FLASHING
LAPPING ONTO AIR-BLOC ALL WEATHER STPE**

SCALE: N.T.S.

01-10-2020

ABSTPE-7A1



REVERSE LAPS (SECTION VIEW)
FLASHING INSTALLED AFTER WRB

NOTES:

1. DETAIL SHOWS **AIR-BLOC ALL WEATHER STPE FLUID APPLIED VAPOR PERMEABLE AIR BARRIER**. SUBSTRATE SHOWN IS FOR REFERENCE ONLY. ACCEPTABLE SUBSTRATES INCLUDE PLYWOOD, OSB, CONCRETE, CMU, METAL, AND EXTERIOR GRADE SHEATHING.
2. ADHESION OF COMPONENTS DEPICTED IN THIS DETAIL PROGRESSIVELY INCREASE AFTER INITIAL APPLICATION. ALLOW A MINIMUM OF 7 DAYS AFTER INSTALLATION TO CONDUCT ADHESION TESTS IF REQUIRED.
3. INSTALL **AIR-BLOC ALL WEATHER STPE** TO ACHIEVE A CONTINUOUS WATER-RESISTIVE BARRIER (WRB). INSULATION, CLADDING AND OPTIONAL VAPOR BARRIER NOT SHOWN FOR CLARITY. REFER TO LOCAL CODE ORDINANCES FOR INSULATION AND VAPOR BARRIER REQUIREMENTS.
4. REFER TO PRODUCT SPECIFIC TECHNICAL DATA SHEET (TDS), **AIR-BLOC ALL WEATHER STPE GUIDE SPECIFICATION** AND **AIR-BLOC ALL WEATHER STPE INSTALLATION MANUAL** FOR INSTALLATION PROCEDURES.



999 N. Pacific Coast Highway, Suite 800
El Segundo, CA 90245
800-486-1278 • www.henry.com

MANUFACTURER GUIDE DETAILS ARE FOR REFERENCE ONLY. HENRY DOES NOT ASSUME RESPONSIBILITY FOR ERRORS OR DEVIATIONS IN DESIGN OR ENGINEERING. PROJECT SPECIFIC VERIFICATION IS RECOMMENDED PRIOR TO INSTALLATION.

AIR-BLOC ALL WEATHER STPE

REVERSE LAP

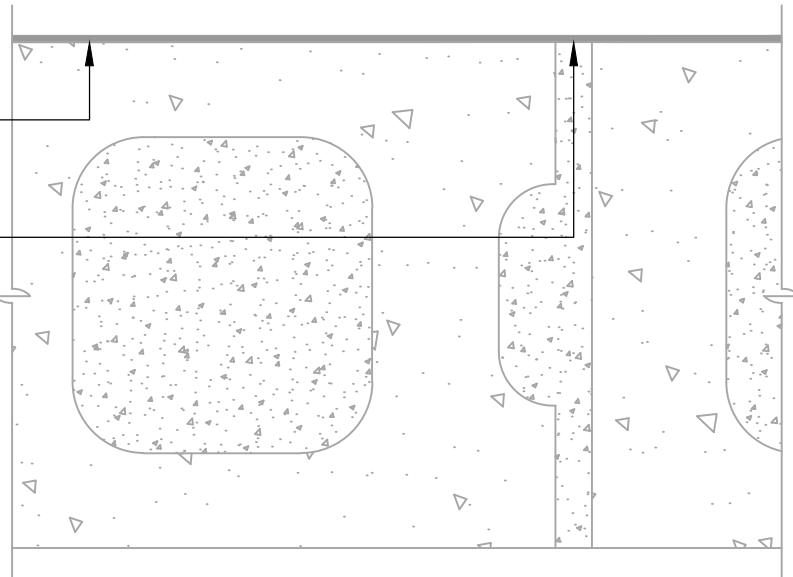
**AIR-BLOC LF LIQUID APPLIED FLASHING
LAPPING ONTO AIR-BLOC ALL WEATHER STPE**

SCALE: N.T.S. 01-10-2020

ABSTPE-7A2

AIR-BLOC ALL WEATHER STPE

FILL GROUT AND STRIKE MORTAR FULL AND FLUSH WITH FACE OF BLOCK (SEE NOTE #2)

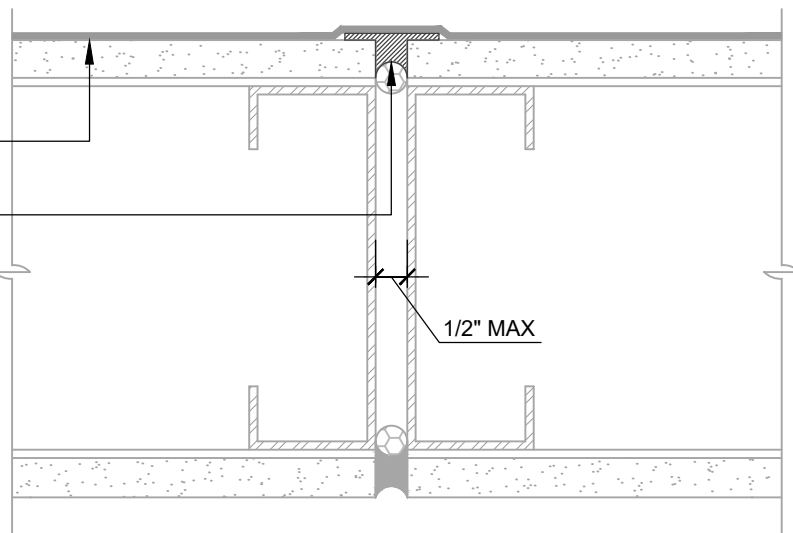


CMU MORTAR JOINTS (PLAN VIEW)

STRIKE MORTAR FULL AND FLUSH

AIR-BLOC ALL WEATHER STPE

HENRY 925 BES SEALANT OR AIR-BLOC® LF



GAPS UP TO 1/2" MAX (PLAN VIEW)

FLASHING INSTALLED BEFORE WRB

NOTES:

1. DETAIL SHOWS **AIR-BLOC ALL WEATHER STPE FLUID APPLIED VAPOR PERMEABLE AIR BARRIER**. SUBSTRATE SHOWN IS FOR REFERENCE ONLY. ACCEPTABLE SUBSTRATES INCLUDE PLYWOOD, OSB, CONCRETE, CMU, METAL, AND EXTERIOR GRADE SHEATHING.
2. FILL GROUT AND STRIKE CMU JOINTS FULL AND FLUSH TO CREATE A CONTINUOUS SUBSTRATE. REFER TO PRODUCT SPECIFIC TECHNICAL DATA SHEET FOR CURE TIME PRIOR TO AIR BARRIER INSTALLATION.
3. INSTALL **AIR-BLOC ALL WEATHER STPE** TO ACHIEVE A CONTINUOUS WATER-RESISTIVE BARRIER (WRB). INSULATION, CLADDING AND OPTIONAL VAPOR BARRIER NOT SHOWN FOR CLARITY. REFER TO LOCAL CODE ORDINANCES FOR INSULATION AND VAPOR BARRIER REQUIREMENTS.
4. REFER TO PRODUCT SPECIFIC TECHNICAL DATA SHEET (TDS), **AIR-BLOC ALL WEATHER STPE GUIDE SPECIFICATION** AND **AIR-BLOC ALL WEATHER STPE INSTALLATION MANUAL** FOR INSTALLATION PROCEDURES.

Henry[®]

999 N. Pacific Coast Highway, Suite 800
El Segundo, CA 90245
800-486-1278 • www.henry.com

MANUFACTURER GUIDE DETAILS ARE FOR REFERENCE ONLY. HENRY DOES NOT ASSUME RESPONSIBILITY FOR ERRORS OR DEVIATIONS IN DESIGN OR ENGINEERING. PROJECT SPECIFIC VERIFICATION IS RECOMMENDED PRIOR TO INSTALLATION.

AIR-BLOC ALL WEATHER STPE

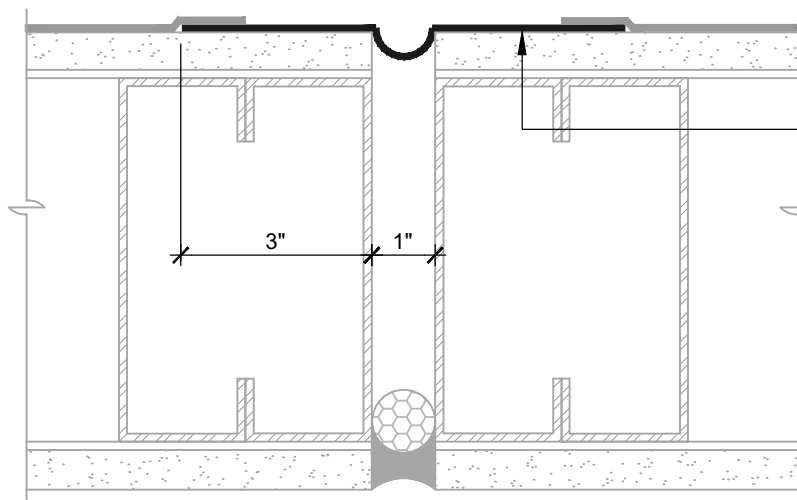
NON-MOVING JOINTS

CMU MORTAR JOINTS AND SUBSTRATE GAPS UP TO 1/2" WIDE MAXIMUM

SCALE: N.T.S.

01-10-2020

ABSTPE-8A

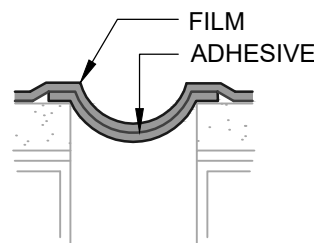


GAPS UP TO 1" MAX (PLAN VIEW)
FLASHING INSTALLED BEFORE WRB

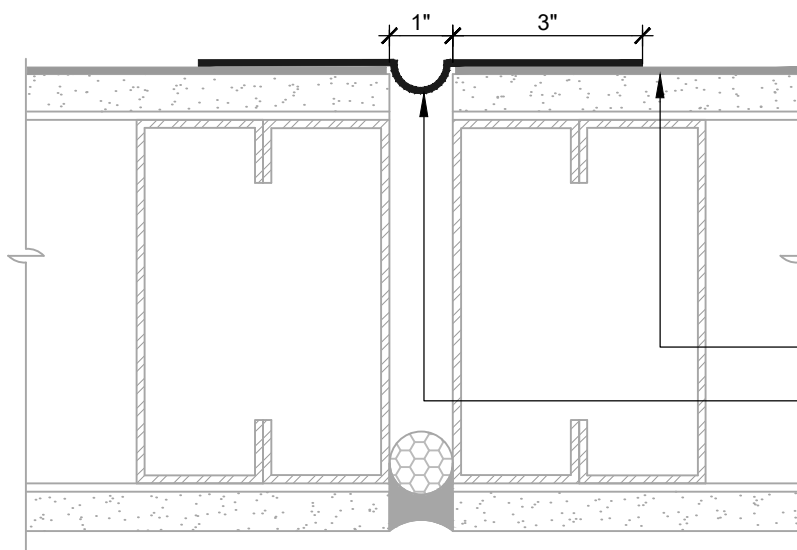
AIR-BLOC ALL WEATHER STPE
LAP AIR BARRIER 1" ONTO FLASHING

BLUESKIN SA
(SEE NOTE #4 AND CONCAVE LOOP FLASHING DETAIL)

CREATE CONCAVE LOOP IN MEMBRANE BY LOOPING INTO GAP. PRIOR TO INSTALLATION, ADHERE MEMBRANE TO ITSELF AND INSTALL TO PREVENT ADHESION TO SURFACES WITHIN GAP.



CONCAVE LOOP FLASHING
"SIAMESE" FLASHING



GAPS UP TO 1" MAX (PLAN VIEW)
FLASHING INSTALLED AFTER WRB

AIR-BLOC ALL WEATHER STPE

BLUESKIN SA
SEE NOTE #4 AND REFER TO DETAIL ABSTPE-7A1 FOR **AIR-BLOC ALL WEATHER STPE** REVERSE LAP INSTALLATION INSTRUCTIONS (SEE CONCAVE LOOP FLASHING DETAIL)

NOTES:

1. DETAIL SHOWS **AIR-BLOC ALL WEATHER STPE FLUID APPLIED VAPOR PERMEABLE AIR BARRIER**. SUBSTRATE SHOWN IS FOR REFERENCE ONLY. ACCEPTABLE SUBSTRATES INCLUDE PLYWOOD, OSB, CONCRETE, CMU, METAL, AND EXTERIOR GRADE SHEATHING.
2. ADHESION OF COMPONENTS DEPICTED IN THIS DETAIL PROGRESSIVELY INCREASE AFTER INITIAL APPLICATION. ALLOW A MINIMUM OF 7 DAYS AFTER INSTALLATION TO CONDUCT ADHESION TESTS IF REQUIRED.
3. OTHER FLASHING OPTIONS INCLUDE: **BLUESKIN SA LT, BLUESKIN METAL CLAD OR BLUESKIN BUTYL FLASH.**
4. HENRY SELF-ADHERED MEMBRANES (INCLUDING **BLUESKIN SA, BLUESKIN SA LT, BLUESKIN TWF, BLUESKIN METAL CLAD OR BLUESKIN BUTYL FLASH**) MUST BE INSTALLED WITH **AQUATAC PRIMER** WHEN APPLIED ONTO CURED **AIR-BLOC ALL WEATHER STPE**.
5. INSULATION, CLADDING AND OPTIONAL VAPOR BARRIER NOT SHOWN FOR CLARITY. REFER TO LOCAL CODE ORDINANCES FOR INSULATION AND VAPOR BARRIER REQUIREMENTS.
6. REFER TO PRODUCT SPECIFIC TECHNICAL DATA SHEET (TDS), **AIR-BLOC ALL WEATHER STPE** GUIDE SPECIFICATION AND **AIR-BLOC ALL WEATHER STPE** INSTALLATION MANUAL FOR INSTALLATION PROCEDURES.

MANUFACTURER GUIDE DETAILS ARE FOR REFERENCE ONLY. HENRY DOES NOT ASSUME RESPONSIBILITY FOR ERRORS OR DEVIATIONS IN DESIGN OR ENGINEERING. PROJECT SPECIFIC VERIFICATION IS RECOMMENDED PRIOR TO INSTALLATION.

AIR-BLOC ALL WEATHER STPE

NON-MOVING JOINTS

SUBSTRATE GAPS UP TO 1" WIDE MAXIMUM
SELF-ADHERED FLASHING

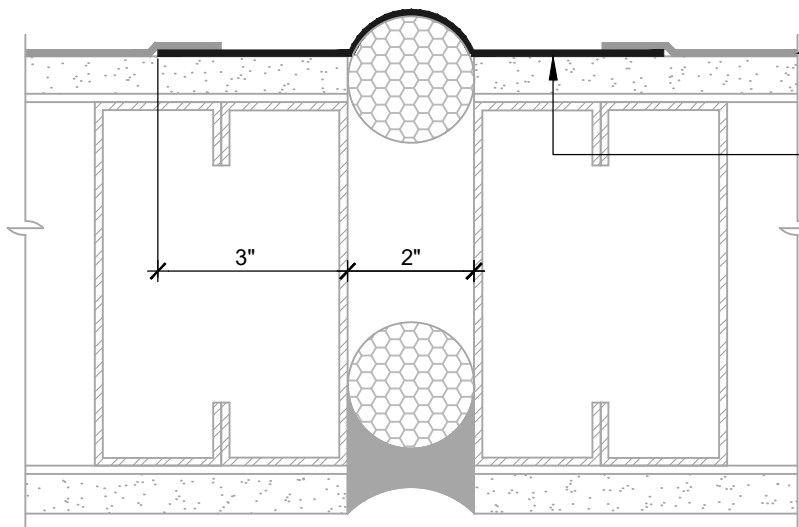
SCALE: N.T.S.

01-10-2020

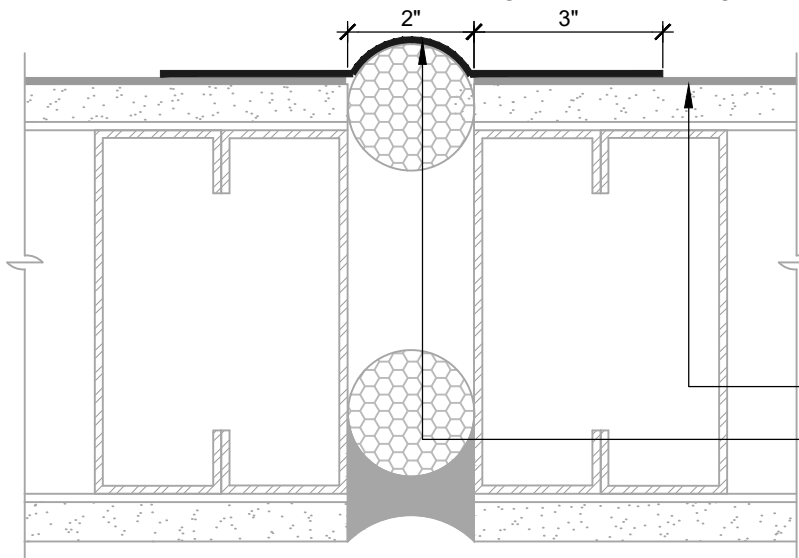
ABSTPE-8B1

Henry[®]

999 N. Pacific Coast Highway, Suite 800
El Segundo, CA 90245
800-486-1278 • www.henry.com



GAPS UP TO 2" MAX (PLAN VIEW)
FLASHING INSTALLED BEFORE WRB

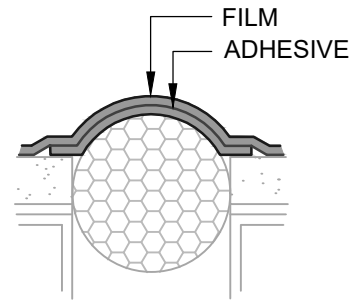


GAPS UP TO 2" MAX (PLAN VIEW)
FLASHING INSTALLED AFTER WRB

AIR-BLOC ALL WEATHER STPE
LAP AIR BARRIER 1" ONTO FLASHING

BLUESKIN SA
(SEE NOTE #4 AND CONVEX LOOP FLASHING DETAIL)

CREATE CONVEX LOOP IN MEMBRANE OVER BACKER ROD. PRIOR TO INSTALLATION, ADHERE MEMBRANE TO ITSELF AND INSTALL TO PREVENT ADHESION TO BACKER ROD.



CONVEX LOOP FLASHING
"SIAMESE" FLASHING

AIR-BLOC ALL WEATHER STPE

BLUESKIN SA
SEE NOTE #4 AND REFER TO DETAIL ABSTPE-7A1 FOR **AIR-BLOC ALL WEATHER STPE** REVERSE LAP INSTALLATION INSTRUCTIONS (SEE CONVEX LOOP FLASHING DETAIL)

NOTES:

1. DETAIL SHOWS **AIR-BLOC ALL WEATHER STPE FLUID APPLIED VAPOR PERMEABLE AIR BARRIER**. SUBSTRATE SHOWN IS FOR REFERENCE ONLY. ACCEPTABLE SUBSTRATES INCLUDE PLYWOOD, OSB, CONCRETE, CMU, METAL, AND EXTERIOR GRADE SHEATHING.
2. ADHESION OF COMPONENTS DEPICTED IN THIS DETAIL PROGRESSIVELY INCREASE AFTER INITIAL APPLICATION. ALLOW A MINIMUM OF 7 DAYS AFTER INSTALLATION TO CONDUCT ADHESION TESTS IF REQUIRED.
3. OTHER FLASHING OPTIONS INCLUDE: **BLUESKIN SA LT**, **BLUESKIN METAL CLAD** OR **BLUESKIN BUTYL FLASH**.
4. HENRY SELF-ADHERED MEMBRANES (INCLUDING **BLUESKIN SA**, **BLUESKIN SA LT**, **BLUESKIN TWF**, **BLUESKIN METAL CLAD** OR **BLUESKIN BUTYL FLASH**) MUST BE INSTALLED WITH **AQUATAC PRIMER** WHEN APPLIED ONTO CURED **AIR-BLOC ALL WEATHER STPE**.
5. INSULATION, CLADDING AND OPTIONAL VAPOR BARRIER NOT SHOWN FOR CLARITY. REFER TO LOCAL CODE ORDINANCES FOR INSULATION AND VAPOR BARRIER REQUIREMENTS.
6. REFER TO PRODUCT SPECIFIC TECHNICAL DATA SHEET (TDS), **AIR-BLOC ALL WEATHER STPE** GUIDE SPECIFICATION AND **AIR-BLOC ALL WEATHER STPE** INSTALLATION MANUAL FOR INSTALLATION PROCEDURES.

MANUFACTURER GUIDE DETAILS ARE FOR REFERENCE ONLY. HENRY DOES NOT ASSUME RESPONSIBILITY FOR ERRORS OR DEVIATIONS IN DESIGN OR ENGINEERING. PROJECT SPECIFIC VERIFICATION IS RECOMMENDED PRIOR TO INSTALLATION.

AIR-BLOC ALL WEATHER STPE

NON-MOVING JOINTS

SUBSTRATE GAPS UP TO 2" WIDE MAXIMUM
SELF-ADHERED FLASHING

SCALE: N.T.S.

01-10-2020

ABSTPE-8C1

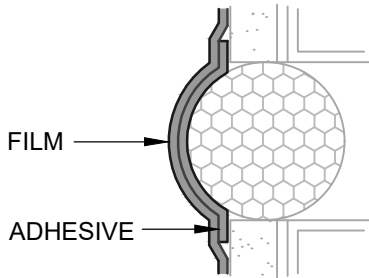
Henry[®]

999 N. Pacific Coast Highway, Suite 800
El Segundo, CA 90245
800-486-1278 • www.henry.com

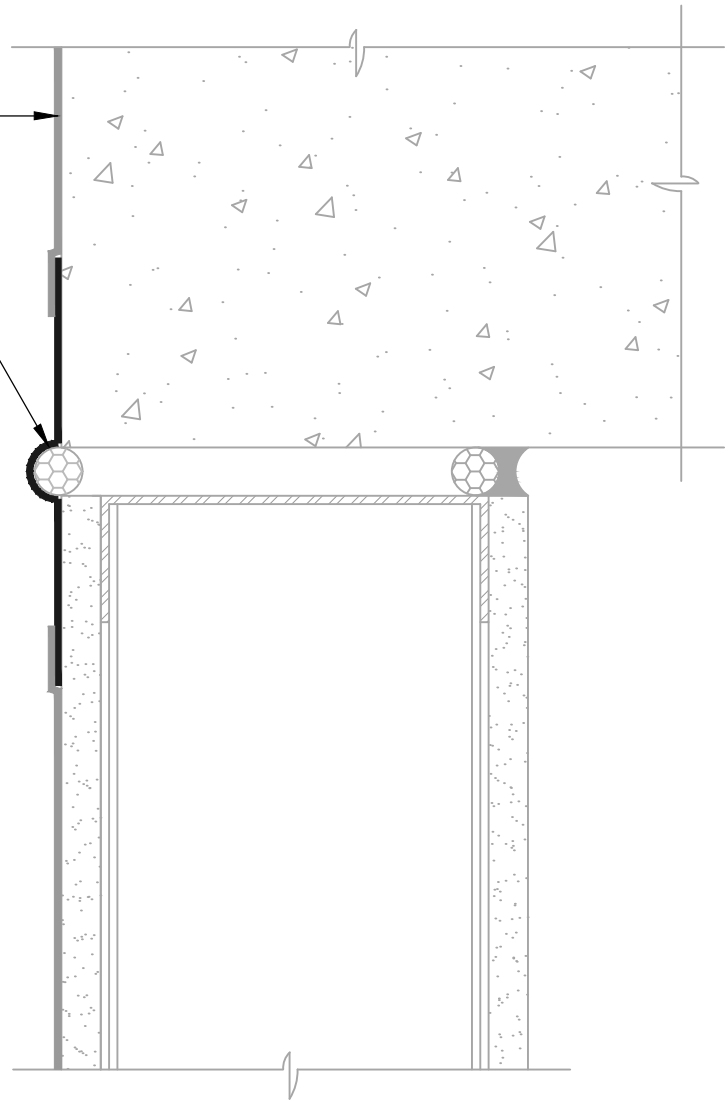
AIR-BLOC ALL WEATHER STPE
LAP AIR BARRIER 1" ONTO FLASHING

BLUESKIN SA
SEE NOTE #4 AND REFER TO DETAIL
ABSTPE-7A1 FOR **AIR-BLOC ALL
WEATHER STPE** REVERSE LAP
INSTALLATION INSTRUCTIONS
(SEE CONVEX LOOP FLASHING DETAIL)

CREATE CONVEX LOOP IN
MEMBRANE OVER BACKER ROD.
PRIOR TO INSTALLATION, ADHERE
MEMBRANE TO ITSELF AND
INSTALL TO PREVENT ADHESION
TO BACKER ROD.



CONVEX LOOP FLASHING
"SIAMESE" FLASHING



NOTES:

1. DETAIL SHOWS **AIR-BLOC ALL WEATHER STPE FLUID APPLIED VAPOR PERMEABLE AIR BARRIER**. SUBSTRATE SHOWN IS FOR REFERENCE ONLY. ACCEPTABLE SUBSTRATES INCLUDE PLYWOOD, OSB, CONCRETE, CMU, METAL, AND EXTERIOR GRADE SHEATHING.
2. ADHESION OF COMPONENTS DEPICTED IN THIS DETAIL PROGRESSIVELY INCREASE AFTER INITIAL APPLICATION. ALLOW A MINIMUM OF 7 DAYS AFTER INSTALLATION TO CONDUCT ADHESION TESTS IF REQUIRED.
3. OTHER FLASHING OPTIONS INCLUDE: **BLUESKIN SA LT, BLUESKIN METAL CLAD OR BLUESKIN BUTYL FLASH**.
4. HENRY SELF-ADHERED MEMBRANES (INCLUDING **BLUESKIN SA, BLUESKIN SA LT, BLUESKIN TWF, BLUESKIN METAL CLAD OR BLUESKIN BUTYL FLASH**) MUST BE INSTALLED WITH **AQUATAC PRIMER** WHEN APPLIED ONTO CURED **AIR-BLOC ALL WEATHER STPE**.
5. INSULATION, CLADDING AND OPTIONAL VAPOR BARRIER NOT SHOWN FOR CLARITY. REFER TO LOCAL CODE ORDINANCES FOR INSULATION AND VAPOR BARRIER REQUIREMENTS.
6. REFER TO PRODUCT SPECIFIC TECHNICAL DATA SHEET (TDS), **AIR-BLOC ALL WEATHER STPE** GUIDE SPECIFICATION AND **AIR-BLOC ALL WEATHER STPE** INSTALLATION MANUAL FOR INSTALLATION PROCEDURES.

Henry[®]

999 N. Pacific Coast Highway, Suite 800
El Segundo, CA 90245
800-486-1278 • www.henry.com

MANUFACTURER GUIDE DETAILS ARE FOR REFERENCE ONLY. HENRY DOES NOT ASSUME RESPONSIBILITY FOR ERRORS OR DEVIATIONS IN DESIGN OR ENGINEERING. PROJECT SPECIFIC VERIFICATION IS RECOMMENDED PRIOR TO INSTALLATION.

AIR-BLOC ALL WEATHER STPE

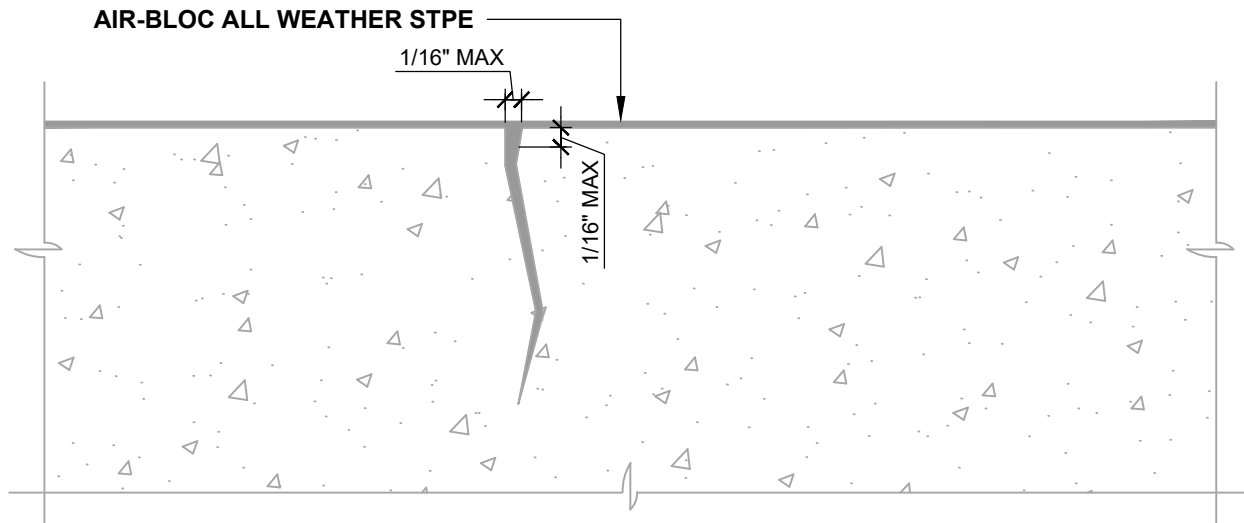
DEFLECTION JOINT

**HORIZONTAL DEFLECTION JOINT
SELF-ADHERED FLASHING**

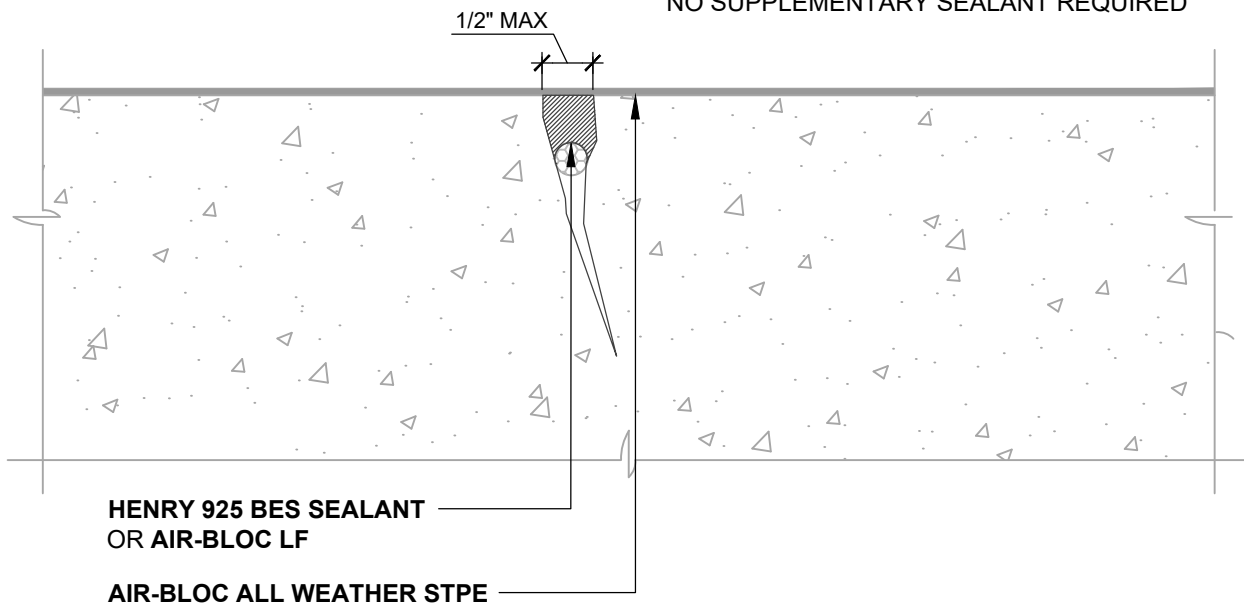
SCALE: N.T.S.

01-10-2020

ABSTPE-8DA



GAPS UP TO 1/16" MAX (PLAN VIEW)
NO SUPPLEMENTARY SEALANT REQUIRED



GAPS UP TO 1/2" MAX (PLAN VIEW)
SEALANT OR LIQUID APPLIED FLASHING
INSTALLED BEFORE WRB

NOTES:

1. DETAIL SHOWS **AIR-BLOC ALL WEATHER STPE FLUID APPLIED VAPOR PERMEABLE AIR BARRIER**. THIS DETAIL IS SPECIFIC TO MASONRY AND CONCRETE SUBSTRATES ONLY. REFER TO NON-MOVING JOINT DETAILS FOR OTHER SUBSTRATE FLASHINGS.
2. INSTALL **AIR-BLOC ALL WEATHER STPE** TO ACHIEVE A CONTINUOUS WATER-RESISTIVE BARRIER (WRB). INSULATION, CLADDING AND OPTIONAL VAPOR BARRIER NOT SHOWN FOR CLARITY. REFER TO LOCAL CODE ORDINANCES FOR INSULATION AND VAPOR BARRIER REQUIREMENTS.
3. REFER TO PRODUCT SPECIFIC TECHNICAL DATA SHEET (TDS), **AIR-BLOC ALL WEATHER STPE GUIDE SPECIFICATION** AND **AIR-BLOC ALL WEATHER STPE INSTALLATION MANUAL** FOR INSTALLATION PROCEDURES.

Henry[®]

999 N. Pacific Coast Highway, Suite 800
El Segundo, CA 90245
800-486-1278 • www.henry.com

MANUFACTURER GUIDE DETAILS ARE FOR REFERENCE ONLY. HENRY DOES NOT ASSUME RESPONSIBILITY FOR ERRORS OR DEVIATIONS IN DESIGN OR ENGINEERING. PROJECT SPECIFIC VERIFICATION IS RECOMMENDED PRIOR TO INSTALLATION.

AIR-BLOC ALL WEATHER STPE

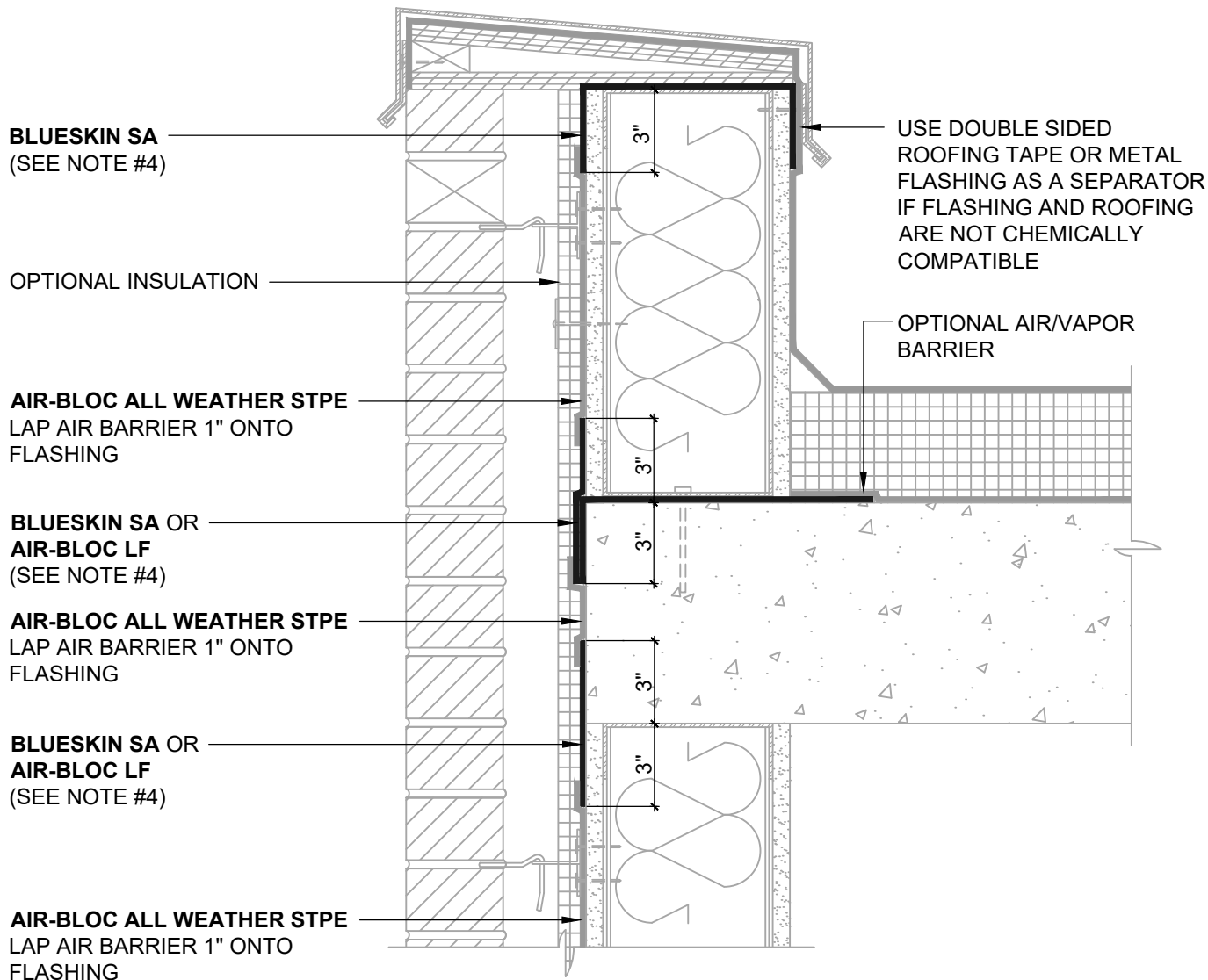
SUBSTRATE CRACKS

**MASONRY AND CONCRETE SUBSTRATE
CRACKS UP TO 1/2" WIDE MAXIMUM**

SCALE: N.T.S.

01-10-2020

ABSTPE-8E



NOTES:

1. DETAIL SHOWS **AIR-BLOC ALL WEATHER STPE FLUID APPLIED VAPOR PERMEABLE AIR BARRIER**. SUBSTRATE SHOWN IS FOR REFERENCE ONLY. ACCEPTABLE SUBSTRATES INCLUDE PLYWOOD, OSB, CONCRETE, CMU, METAL, AND EXTERIOR GRADE SHEATHING.
2. ADHESION OF COMPONENTS DEPICTED IN THIS DETAIL PROGRESSIVELY INCREASE AFTER INITIAL APPLICATION. ALLOW A MINIMUM OF 7 DAYS AFTER INSTALLATION TO CONDUCT ADHESION TESTS IF REQUIRED.
3. OTHER FLASHING OPTIONS INCLUDE: **BLUESKIN SA LT, BLUESKIN METAL CLAD OR BLUESKIN BUTYL FLASH**.
4. HENRY SELF-ADHERED MEMBRANES (INCLUDING **BLUESKIN SA, BLUESKIN SA LT, BLUESKIN TWF, BLUESKIN METAL CLAD OR BLUESKIN BUTYL FLASH**) MUST BE INSTALLED WITH **AQUATAC PRIMER** WHEN APPLIED ONTO CURED **AIR-BLOC ALL WEATHER STPE**.
5. INSULATION, CLADDING AND OPTIONAL VAPOR BARRIER NOT SHOWN FOR CLARITY. REFER TO LOCAL CODE ORDINANCES FOR INSULATION AND VAPOR BARRIER REQUIREMENTS.
6. REFER TO PRODUCT SPECIFIC TECHNICAL DATA SHEET (TDS), **AIR-BLOC ALL WEATHER STPE GUIDE SPECIFICATION** AND **AIR-BLOC ALL WEATHER STPE INSTALLATION MANUAL** FOR INSTALLATION PROCEDURES.



999 N. Pacific Coast Highway, Suite 800
 El Segundo, CA 90245
 800-486-1278 • www.henry.com

MANUFACTURER GUIDE DETAILS ARE FOR REFERENCE ONLY. HENRY DOES NOT ASSUME RESPONSIBILITY FOR ERRORS OR DEVIATIONS IN DESIGN OR ENGINEERING. PROJECT SPECIFIC VERIFICATION IS RECOMMENDED PRIOR TO INSTALLATION.

AIR-BLOC ALL WEATHER STPE

PARAPET TRANSITION

AIR BARRIER INSTALLED ON FRONT OF WALL AND ROOFING ASSEMBLY INSTALLED ON BACK OF WALL

SCALE: N.T.S.

01-10-2020

ABSTPE-9A

Warranty #: SAMPLE
Issued:
Expiration:

**HENRY COMPANY ("HENRY")
10 YEAR EXTENDED MATERIAL WARRANTY
AIR-BLOC ALL WEATHER STPE ("PRODUCT")**

Building Name:
Building Location:
Building OWNER: ("OWNER")
Date Product(s) Installation Completed:
Contractor:
Square Footage:

What This Limited Warranty Covers:

Commencing with the date of completion of installation of the Product(s) and continuing for the duration of this Warranty, if manufacturing defects in the Product(s) cause the Product(s) to not perform in conformance with the Product(s) label or tech data sheet, as published on www.henry.com at time of warranty issuance, or for its intended application, then HENRY at its sole option will, subject to the following section (What This Warranty Does Not Cover), either (1) refund OWNER's original purchase price for the Product(s) prorated by the unused portion of the warranty term; or (2) provide the amount of Product(s) necessary to make repairs. Under option (1), during the first year after installation of the Product(s), HENRY will refund OWNER's purchase price for the Product(s), exclusive of installation cost and minus any proration and costs previously incurred by HENRY for the replacement of Product(s) under this Warranty. After the first year, the purchase price to be refunded will be prorated by the remaining number of years of the Warranty term, minus any cost previously incurred by HENRY for the replacement of Product(s) under this Warranty.

Decisions as to the extent of repair or replacement required will be made solely by HENRY. The opinion of HENRY with respect to this matter shall be final. The remedy under this Warranty is available only for that portion of the Product(s) exhibiting defects at the time of the warranty claim. The replacement Product(s) as well as any remaining original Product(s) will be warranted only for the original warranty period. This limited warranty applies only to Product(s) used for an application specified by HENRY for the Product(s) and applied in strict accordance with HENRY published specifications, as published on www.henry.com in effect at the time of application. IF PRODUCT(S) IS USED FOR OTHER THAN A HENRY SPECIFIED APPLICATION, MISUSED OR ABUSED, IT IS SOLD AS IS AND WITHOUT ANY EXPRESS OR IMPLIED WARRANTIES, INCLUDING OF MERCHANTABILITY OR FITNESS FOR A PARTICULAR PURPOSE.

What This Warranty Does Not Cover:

This Warranty warrants that the Product(s) will be free from manufacturing defects which affect the ability of the Product(s) to perform in conformance with the Product(s) label or tech data sheet for its intended application during the Warranty Period; it is not a warranty that the Product(s) will never leak or age or to undertake responsibilities, liabilities or obligations other than those specifically identified in the preceding section.

The Contractor who installs the Product(s) is not a representative, agent or employee of HENRY. HENRY therefore is not bound by any representations made by the Contractor and does not warrant or guarantee the Contractor's workmanship.

HENRY is not responsible or liable for: (a) personal injury or property damage of any kind, even if arising from a breach of this Warranty, (b)

damage to the building, or to other components of the building or its contents, including mold, mildew or interruption or complete disruption in the use of the building, (c) expenses associated with removal, excavation, or replacement of other materials or building assemblies in connection with testing, repair, removal, or replacement of the Product(s), (d) change in color or other aesthetic diminution, and (e) damage to the Product(s) attributable to one or more of the following conditions:

1. Acts of God and natural calamities (including, but without limitation, lightning, Beaufort Scale 10 or higher winds, hurricane, tornado, hail, earthquake, flood, or other violent storm or casualty), impact of objects or damage to the Product(s) due to settlement, distortion, failure or cracking of the roof deck, walls or foundation of the building, or for any splitting, cracking, blistering, delamination or separation of the Product(s) due to defect and/or failure of underlying materials not supplied by HENRY or for damage by foot traffic.
2. Civil insurrection, war, riot, terrorism, intentional destruction or vandalism.
3. Exposure to ionized radiation, contamination by radioactivity from any nuclear source, or bird droppings, chemical, or vermin attack on the Product(s).
4. Failure to timely report leaks or to repair leaks not covered by this Warranty.
5. Leaks caused by water entering from building components adjacent to the Product(s) or moisture migration either through or around other building components such as rooftop equipment, walls, copings, pitch pans and details which do not conform with HENRY details.
6. Installations on or through the Product(s) unless done in a manner prescribed and accepted by HENRY.
7. Repairs or alterations to the Product(s) that are not authorized first in writing by HENRY.
8. Inadequate rooftop drainage or ponding lasting longer than 48 hours as defined by the National Roofing Contractors Association.
9. Normal wear and tear.

Obtaining Warranty Service:

If the Product(s) fails to perform in conformance with the Product(s) label or tech data sheet for its intended application, notify HENRY by email at warranty@henry.com, within 48 hours or within the next business day after discovery of any defect in the Product(s). The OWNER must give written notice to HENRY no later than thirty (30) days after a defect is discovered or should by reasonable diligence have been discovered. Claims under this Warranty will require proof of purchase by the OWNER. HENRY is not responsible for any claims without such proof of purchase. A purchase receipt or other proof of date of original purchase is required before warranty service is provided. Should the alleged failure or the remedy sought by the OWNER lie outside the scope of this Warranty, OWNER agrees to promptly reimburse HENRY for the cost of any investigation

requested by OWNER, including remedy costs, plus a HENRY administrative fee of \$250.00.

Time for Remedy:

HENRY shall have forty-five (45) days after receipt of written notification of a Product(s) defect to initiate either of the remedies contained in this Warranty unless prevented by acts of God or events beyond HENRY's reasonable control.

Limitations and Exclusions:

TO THE EXTENT PERMITTED BY APPLICABLE LAW, HENRY DISCLAIMS ANY OTHER WARRANTY EXPRESS OR IMPLIED, THAN THAT PROVIDED FOR HEREIN. THIS WARRANTY IS IN LIEU OF AND EXCLUDES ALL OTHER WARRANTIES, GUARANTEES, CONDITIONS AND REPRESENTATIONS, EXPRESS OR IMPLIED, ORAL OR WRITTEN, STATUTORY OR OTHERWISE, INCLUDING BUT NOT LIMITED TO ANY IMPLIED CONDITIONS OR WARRANTIES AS TO THE MERCHANTABILITY OR FITNESS FOR A PARTICULAR PURPOSE OF THE HENRY PRODUCT(S). SOME STATES DO NOT ALLOW LIMITATIONS ON HOW LONG AN IMPLIED WARRANTY LASTS, SO THE ABOVE LIMITATION MAY NOT APPLY TO YOU. HENRY DOES NOT AUTHORIZE ANY PERSON INCLUDING ITS REPRESENTATIVES, TO MAKE ANY REPRESENTATION OR TO OFFER ANY WARRANTY, CONDITION OR GUARANTY IN RESPECT OF THE PRODUCT(S) OTHER THAN THIS WARRANTY. THIS MATERIAL WARRANTY CANNOT BE MODIFIED EXCEPT IN WRITING SIGNED BY HENRY'S WARRANTY MANAGER. THIS LIMITED WARRANTY SHALL BE THE OWNER'S SOLE AND EXCLUSIVE REMEDY AGAINST HENRY AND UNDER NO CIRCUMSTANCES SHALL HENRY BE LIABLE FOR AN AMOUNT GREATER THAN THE ACTUAL PURCHASE PRICE OF THE UNIT OR FOR ANY CONSEQUENTIAL, EXEMPLARY, SPECIAL, INCIDENTAL OR OTHER DAMAGES INCLUDING, BUT NOT LIMITED TO, LOSS OF PROFITS, LOSS OF USE, OR DAMAGE TO THE BUILDING OR ITS CONTENTS OR THE ROOF DECK. INCIDENTAL, CONSEQUENTIAL AND EXEMPLARY DAMAGES SHALL NOT BE RECOVERABLE EVEN IF THE REMEDIES OR THE ACTIONS PROVIDED FOR IN THIS WARRANTY FAIL OF THEIR ESSENTIAL PURPOSE. SOME STATES DO NOT ALLOW THE EXCLUSION OR LIMITATION OF INCIDENTAL OR CONSEQUENTIAL DAMAGES, SO THE ABOVE LIMITATION OR EXCLUSION MAY NOT APPLY TO YOU. HENRY SHALL NOT BE LIABLE FOR ANY DAMAGES WHICH ARE BASED UPON NEGLIGENCE, GROSS NEGLIGENCE, BREACH OF WARRANTY, BREACH OF CONTRACT, STRICT LIABILITY OR ANY OTHER LEGAL THEORY OF LIABILITY OTHER THAN THE EXCLUSIVE LIABILITY SET FORTH IN THIS WARRANTY.

Conditions of Warranty:

HENRY's continuing liability under this Warranty is conditioned upon the following:

- a) The Product(s) was stored, handled, applied and maintained in accordance with HENRY's instructions, recommendations and specifications in effect at the time of application;
- b) HENRY and the Contractor have been paid in full for the Product(s);
- c) The Product(s) has not been altered, modified or repaired without prior written approval of HENRY;
- d) The OWNER has notified HENRY in writing of any failure of the Product(s) covered by this Warranty within thirty (30) days following such failure;
- e) There has been no misuse, abuse or negligence with respect to the Product(s) on the part of the OWNER, facility or mechanical tradesmen.
- f) OWNER must notify HENRY in writing no later than seven (7) days prior to any scheduled inspection. HENRY shall be entitled to be present during any such inspection.

Transfer:

This Warranty is assignable conditioned upon prior written approval by HENRY. Such approval is subject to the terms, conditions and fees contained in HENRY's application for transfer of warranty.

Waiver:

HENRY's failure at any time to enforce or rely upon any of the terms or conditions stated herein shall not be construed to be a waiver of its rights hereunder.

OWNER's Agreement:

HENRY would not agree to assume the obligations contained in this Warranty in the absence of any of the limitations and exclusions contained herein. Therefore, (1) OWNER's agreement to each and every term of this Warranty is an essential condition precedent to HENRY's obligations hereunder; (2) in the absence of such agreement by the OWNER the Product(s) is sold AS IS AND WITHOUT ANY EXPRESS OR IMPLIED WARRANTIES, INCLUDING OF MERCHANTABILITY OR FITNESS FOR A PARTICULAR PURPOSE; (3) failure of any condition precedent herein shall discharge HENRY from all further obligation under this Warranty, and the disclaimer herein of any other warranties, conditions and representations shall survive; and (4) by accepting or asserting any rights hereunder, OWNER irrevocably agrees to indemnify and hold harmless HENRY, its affiliates, successors, assigns, directors, officers, employees and agents (each an "Indemnified Party") from and against all claims, expenses (including attorney's fees and expenses), losses, liabilities and damages in any way related to or arising from matters described in the section of this Warranty entitled "What This Warranty Does Not Cover," and all amounts paid in defense of the foregoing which may be imposed upon, incurred by or asserted against an Indemnified Party by any person, firm or entity.

Except as otherwise expressly provided above, this Warranty shall be governed by and construed in accordance with the laws of the State of Texas without regard to conflict of law rules.

THIS WARRANTY GIVES YOU SPECIFIC LEGAL RIGHTS, AND YOU MAY ALSO HAVE OTHER RIGHTS WHICH VARY FROM STATE TO STATE OR COUNTRY TO COUNTRY, IF OUTSIDE OF THE UNITED STATES.

HENRY COMPANY

By: _____
Name:

Date: _____

NOTE: SAMPLE WARRANTIES ARE PROVIDED CONDITIONALLY AND SHOULD NOT BE CONSTRUED OR INTERPRETED AS A REPRESENTATION OR PROMISE THAT HENRY WILL IN FACT PROVIDE SUCH A WARRANTY FOR A SPECIFIC PROJECT. HENRY WARRANTIES ARE NOT VALID OR BINDING UNLESS AND UNTIL ALL OF HENRY'S REQUIREMENTS FOR WARRANTY ISSUANCE ARE MET AND A PROJECT-SPECIFIC WARRANTY IS ISSUED. HENRY RESERVES THE RIGHT TO MODIFY THE TERMS OF ITS SAMPLE WARRANTIES FOR ANY REASON, AT ANYTIME, WITH OR WITHOUT NOTICE. FOR MORE INFORMATION ABOUT HENRY'S REQUIREMENTS, PLEASE CONTACT THE HENRY WARRANTY DEPARTMENT AT WARRANTY@HENRY.COM.

SAMPLE

Henry® NFPA 285 Air Barrier Assemblies

The following Henry® air barrier assemblies meet the performance requirements of NFPA 285 as required by the International Building Code® (2003, 2006, 2009, 2012, 2015 and 2018 editions).

Install NFPA 285 compliant wall assemblies as described in this tech-talk bulletin. Changes or modifications to the construction, and/or materials, may affect the tested assembly fire performance and void NFPA 285 compliance. Install Henry® air barrier assemblies per Henry® installation instructions. Refer to product specific technical data sheet (TDS), guide specification and standard details.

Henry® Company regularly expands the NFPA 285 complaint wall assembly offerings. Refer to the Henry® website at www.henry.com for the most up to date version.

Table of contents

[Flow Chart](#) – Quick reference NFPA 285 flow chart

Henry® assemblies

[Table 1](#) – Extruded Polystyrene (XPS) Insulation with noncombustible veneers

[Table 2](#) – Permax® Spray Polyurethane Foam (SPF) with noncombustible veneers

[Table 3](#) – Polyisocyanurate with noncombustible and combustible veneers

[Table 4](#) – Mineral Wool with noncombustible and combustible veneers

[Table 5](#) – Expanded Polystyrene (EPS) with noncombustible veneers

[Table 6](#) – Walls excluding exterior insulation

Third-party assemblies

[Laminators Inc.](#)

[Rmax® ECOBASEci™](#)

[TAKTL®v](#)

Disclaimer

Henry® Company regularly expands the NFPA 285 complaint wall assembly offerings. It is the user's responsibility to obtain and to confirm the most recent version. Information contained in this Tech-Talk Bulletin may change without notice.

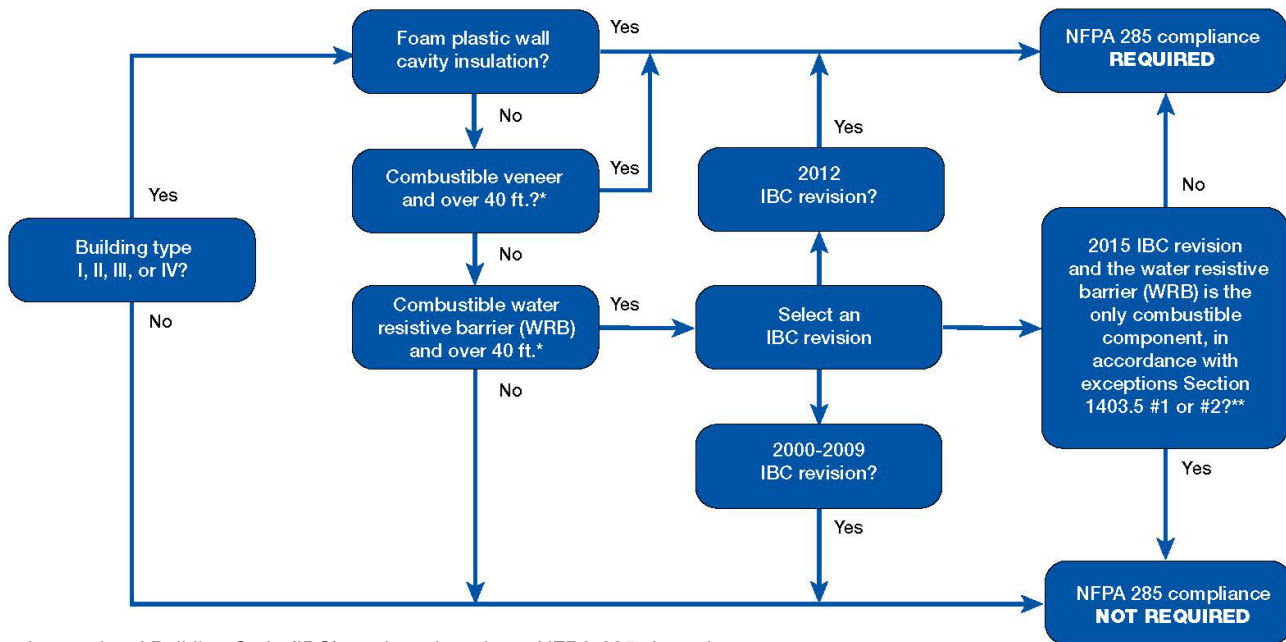
NFPA 285 Performance Requirements and Code References

NFPA 285 is a standard test method for evaluating fire propagation characteristics of exterior noncombustible wall assemblies containing combustible components. NFPA 285 compliance is identified through assembly analysis by accredited testing facilities and Fire Protection Engineers as referenced in AC12 §6.6. This document is based on verified NFPA 285 compliant wall assembly reports, and is intended as a guide for architects, general contractors, building owners, and authorities having jurisdiction in the design and construction of walls requiring NFPA 285 compliance. Product manufacturers do not have the authority to approve and do not approve project specific NFPA 285 compliance. Contact the authority having jurisdiction for final approval.

International Building Code (IBC) sections that trigger NFPA 285

Common exterior wall materials that trigger NFPA 285 compliance		
Relevant section of the International Building Code	Materials	Year instated
Foam Plastics	§2603.5.5	1988 edition
Combustible Veneers		
MCMs & ACMs	§1407.10	2000 edition
HPLs	§1409.10	2009 edition
EIFS	§1408.2	2009 edition
FRPs	§2612.5	2009 edition
Water-resistive barriers (WRB)	§1403.5	2012 edition

Quick reference NFPA 285 flow chart



*Refer to International Building Code (IBC) sections that trigger NFPA 285 chart above.

**2015 International Building Code: Section 1403.5 Vertical and lateral flame propagation. Exterior walls on buildings of Type I, II, III or IV construction that are greater than 40 feet (12192mm) in height above grade plane and contain a combustible water-resistive barrier shall be tested in accordance with and comply with the acceptance criteria of NFPA 285. For the purposes of this section, fenestration products and flashing of fenestration products shall not be considered part of the water-resistive barrier (WRB). Exceptions:

1. Walls in which the water-resistive barrier is the only combustible component and the exterior wall has a wall covering of brick, concrete, stone, terracotta, stucco or steel with minimum thickness in accordance with Table 1405.2.
2. Walls in which the water-resistive barrier is the only combustible component and the water-resistive barrier has a peak heat release rate of less than 150 kW/M2, a total heat release of less than 20MJ/m2 and an effective heat of combustion of less than 18MJ/kg as determined in accordance with ASTM E 1354 and has a flame spread index of 25 or less and a smoke-developed index of 450 or less as determined in accordance with ASTM E84 or UL 723. The ASTM E1354 test shall be conducted on specimens at the thickness intended for use, in the horizontal orientation and at an incident radiant heat flux of 50 kW/m2.

Tech-talk: Henry® NFPA 285 Assemblies

Table 1. Walls containing Extruded Polystyrene (XPS) insulation and Henry® air barrier membranes

Henry® assembly	
Wall component	Materials
Base wall system <i>Use either 1, 2, 3 or 4</i>	<ol style="list-style-type: none"> Concrete wall Concrete masonry unit (CMU) wall Steel Studs – 20-gauge (min.) 3-5/8 inch (min.) steel studs spaced 24 inches OC (max.) with lateral bracing every 4 feet vertically or as required by building code <ol style="list-style-type: none"> 5/8 inch thick, Type X, gypsum wallboard on interior Where allowed in Types I, II, III, or IV construction, FRTW (fire retardant treated wood) studs complying with IBC Section 2303.2, min. nominal 2X4 dimension, spaced 24" OC (max.) <ol style="list-style-type: none"> 5/8" (min.) type X Gypsum Wallboard Interior Bracing as required by code
Floor line fire-stopping <i>Use either 1, 2 or 3</i>	<ol style="list-style-type: none"> None (base wall systems 1 and 2 only) 4 pcf. mineral wool in each stud cavity at floor lines – attached with Z-clips or equivalent. Safing thickness must match cavity depth FRTW fire blocking at floor line in accordance with applicable code requirements
Stud cavity insulation <i>Use either 1, 2, 3, 4 or 5</i> <i>Note: items 2-4 may incorporate a Class A vapor barrier film</i>	<ol style="list-style-type: none"> None Noncombustible insulation per ASTM E136 Mineral fiber (board type Class A, ASTM E84 faced or un-faced) Fiberglass (batt type Class A, ASTM E84 faced or un-faced) Henry Permax® SPF - 6 inches (max.) (do not use spray polyurethane foam stud cavity insulation if incorporating an interior vapor barrier membrane - see optional interior vapor barrier row below)
Optional interior vapor barrier <i>Use either 1 or 2</i>	<ol style="list-style-type: none"> None One layer of 6-mil thick (max.) polyethylene film (do not use spray polyurethane foam stud cavity insulation if incorporating an interior vapor barrier membrane - see note above)
Exterior sheathing <i>Use either 1, 2, 3 or 4</i>	<ol style="list-style-type: none"> None (base wall systems 1 and 2 only) 1/2 inch thick, exterior grade gypsum sheathing 5/8 inch thick, Type X, exterior grade gypsum sheathing 1/2 inch thick (min.) FRTW sheathing complying with IBC Section 2303.2 and installed in accordance with code allowances for Types I, II, III or IV construction
Henry® air barrier installed onto exterior sheathing <i>Select from list</i>	<ol style="list-style-type: none"> Air-Bloc® 16MR Air-Bloc® 17MR Air-Bloc® 21FR Air-Bloc® 31MR Air-Bloc® 32MR Air-Bloc® 33MR Air-Bloc® All Weather STPE™ Blueskin® VP160 Blueskin® SA or Blueskin® SA LT FoilSkin® Metal Clad™
Exterior insulation installed onto Henry® air barrier	Extruded Polystyrene Foam Insulation (XPS) - Type IV per ASTM C578 – 3 inches (max.). Where required, XPS may use Blueskin® SA, Blueskin® Butyl Flash flashing tape.
Exterior veneer <i>Use either 1, 2, 3, 4, 5, 6 or 7</i>	<ol style="list-style-type: none"> Brick – Nominal 4 inch thick (min.), clay brick with a 2 inch (max.) air gap between insulation and brick, and standard veneer anchors installed 24 inches (max.) OC Stucco – 3/4 inch thick (min.), exterior cement plaster and lath Stone veneer – 2 inches thick (min.) Cast stone – 1-1/2 inches thick (min.) Terracotta cladding – 1-1/4 inch thick (min.) Concrete Masonry Units (CMU) – 4 inch thick (min.) with a 2 inch (max) air gap between exterior insulation and CMU Concrete Panels – 2 inches thick (min.) with a 2 inch (max.) air gap between exterior insulation and concrete panel
Special conditions	Install header as shown in figure 1, 2 or 3 for window and door openings in walls utilizing XPS insulation.
Flashing of window, door and other exterior wall penetrations	Flash window, door and exterior penetrations in accordance with applicable code using asphalt, acrylic or butyl based flashing (Blueskin® SA, Blueskin® Butyl Flash or Air-Bloc® LF) – 12-inches wide (max.).

Figure 1 – Extruded Polystyrene (XPS) Window/door opening detail

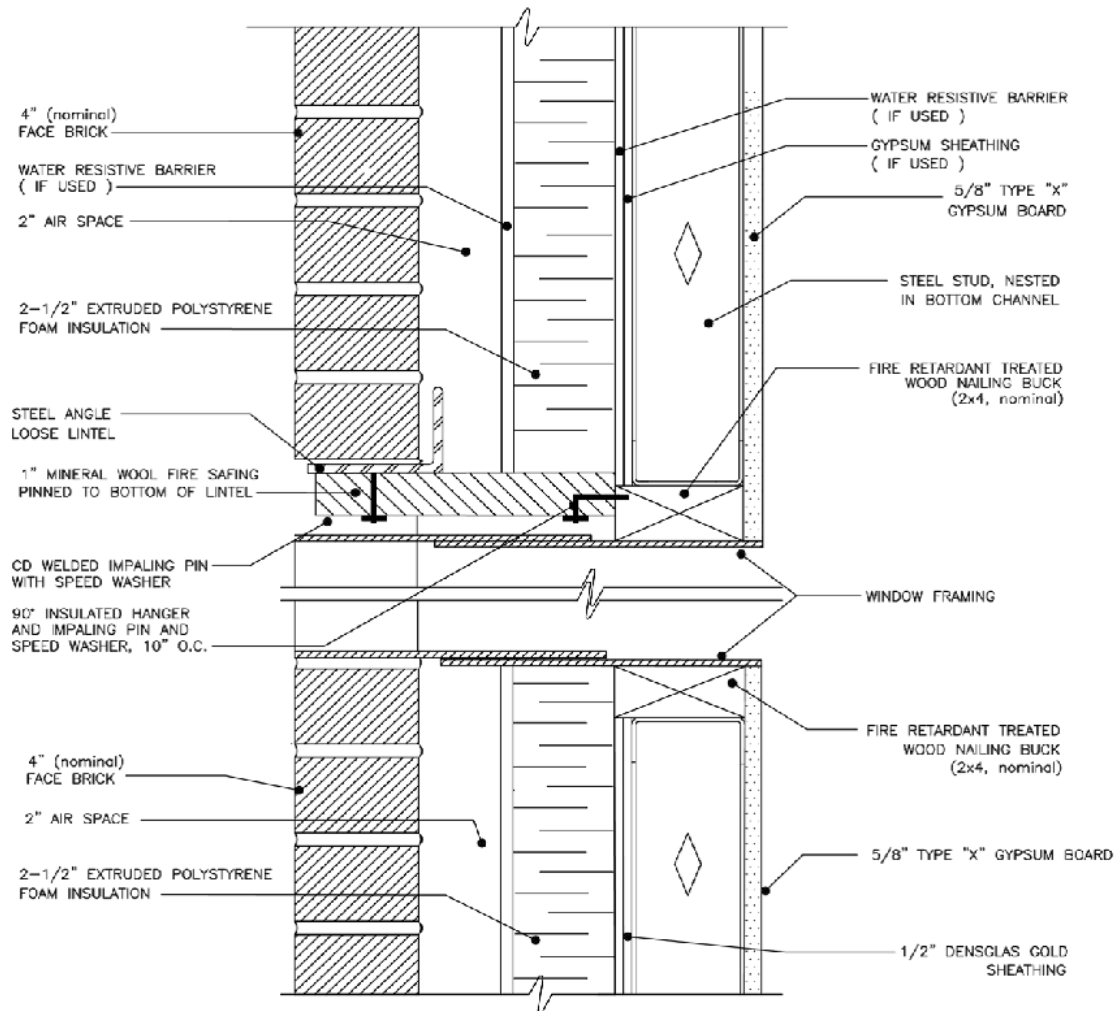


Figure 2 – Extruded Polystyrene (XPS) Window/door opening detail

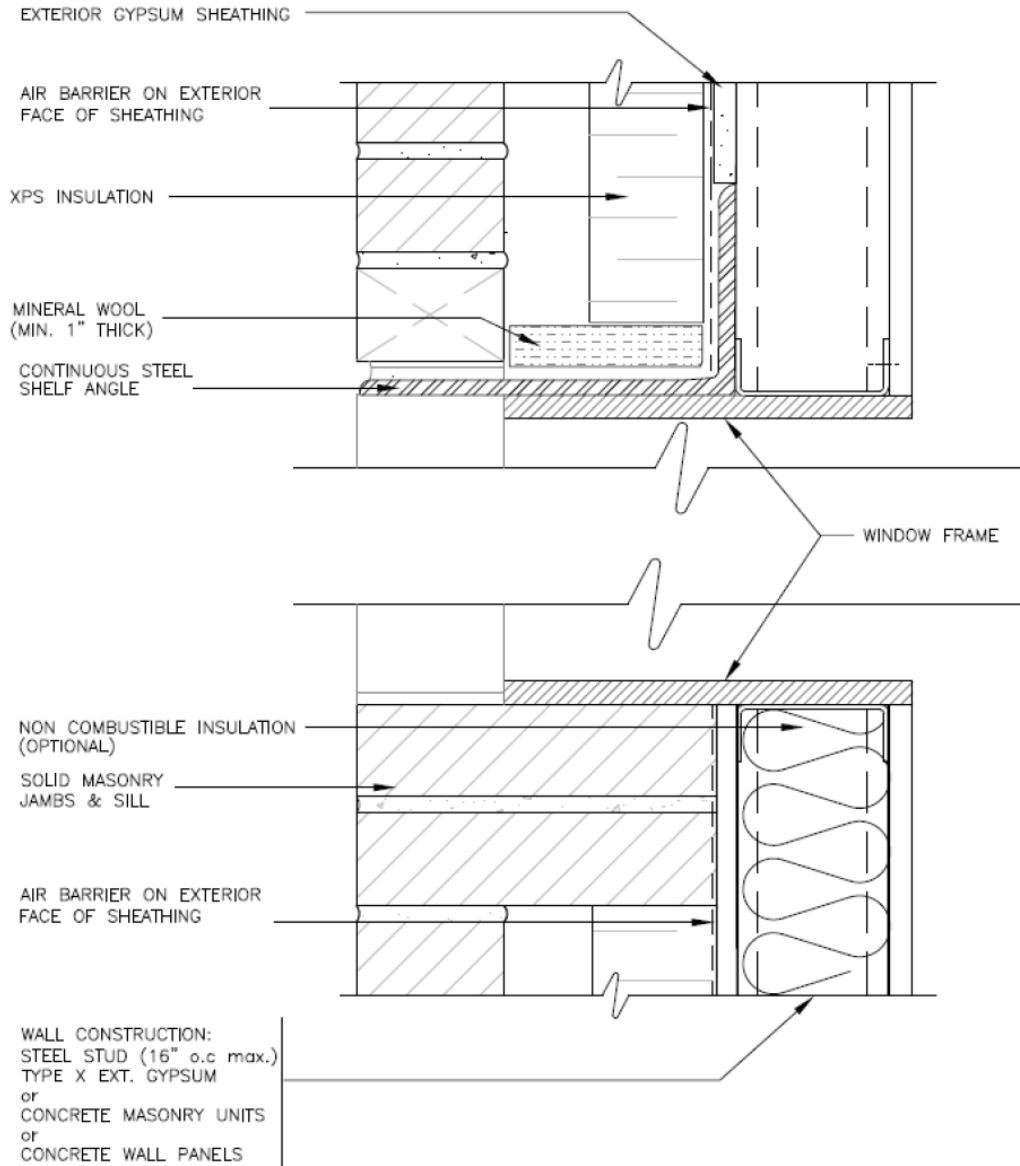
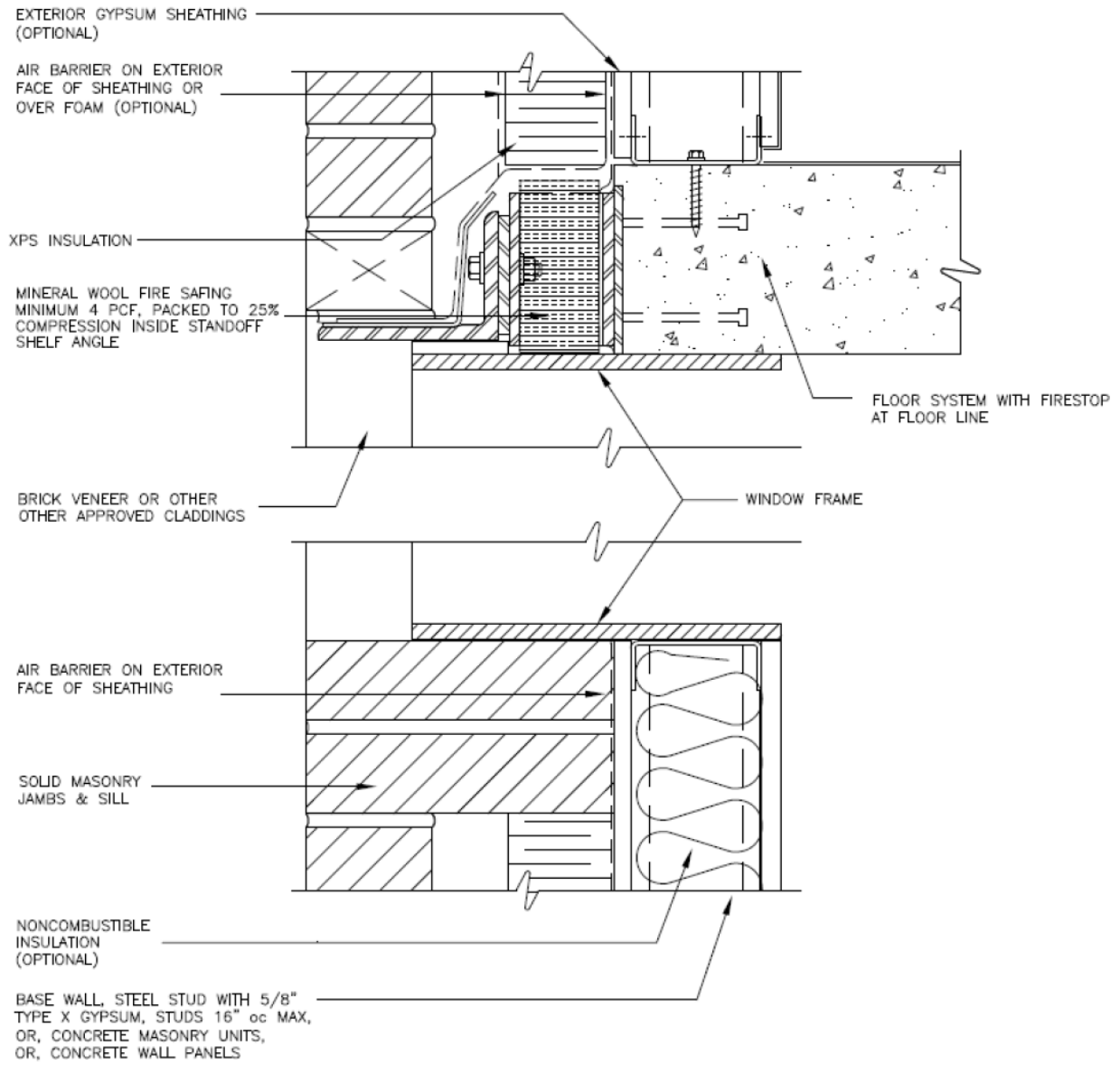


Figure 3 – Extruded Polystyrene (XPS) Window/door opening detail



Tech-talk: Henry® NFPA 285 Assemblies

Table 2.1 Walls containing Henry® Permax® 2.0 or Permax® 1.8 Closed-Cell SPF

Henry® assembly	
Wall component	Materials
Base wall system <i>Use either 1, 2 or 3</i>	<ol style="list-style-type: none"> Concrete wall Concrete masonry unit (CMU) wall Studs – 16-gauge (min.) 6 inch (min.) steel studs spaced 16 inches OC (max.) with lateral bracing every 4 feet vertically or as required by building code <ol style="list-style-type: none"> 5/8 inch thick, Type X, gypsum wallboard on interior
Floor line fire-stopping	4 pcf. mineral wool in each stud cavity at floor lines – attached with Z-clips or equivalent. Safing thickness must match cavity depth
Stud cavity insulation <i>Use either 1, 2 or 3</i>	<ol style="list-style-type: none"> None Fiberglass (batt type Class A, ASTM E84 faced or un-faced) Mineral fiber (Board type Class A, ASTM E84 faced or un-faced)
Exterior sheathing <i>Use either 1, 2 or 3</i>	<ol style="list-style-type: none"> None (base wall systems 1 and 2 only) 1/2 inch thick, exterior grade gypsum sheathing 5/8 inch thick, Type X, exterior grade gypsum sheathing
Henry® exterior insulation installed onto exterior sheathing <i>Select from list</i>	<ol style="list-style-type: none"> Permax® 1.8 – 4 inches thick (max.) Permax® 2.0 – 4 inches thick (max.)
Exterior veneer <i>Use either 1, 2, 3 or 4</i>	<ol style="list-style-type: none"> Brick – Nominal 4 inch thick (min.), clay brick with a 2 inch (max.) air gap between insulation and brick, and standard veneer anchors installed 24 inches (max.) OC Stucco – 3/4 inch thick (min.), exterior cement plaster and lath Stone veneer – 2 inches thick (min.) Terracotta cladding – 1-1/4 inch thick (min.)
Special conditions	Frame window and door openings with 16-gauge (min.) steel.
Flashing of window, door and other exterior wall penetrations	Flash window, door and exterior penetrations in accordance with applicable code using asphalt, acrylic or butyl based flashing (Blueskin® SA, Blueskin® Butyl Flash or Air-Bloc® LF) – 12-inches wide (max.).

Table 2.2 Walls containing Henry® Permax® 2.0X or Permax® 2.0X Fast Closed-Cell SPF

Henry® assembly	
Wall component	Materials
Base wall system <i>Use either 1, 2 or 3</i>	<ol style="list-style-type: none"> Concrete wall Concrete masonry unit (CMU) wall Steel Studs – 20-gauge (min.) 3-5/8 inch (min.) steel studs spaced 24 inches OC (max.) with lateral bracing every 4 feet vertically or as required by building code <ol style="list-style-type: none"> 5/8 inch thick, Type X, gypsum wallboard on interior See special conditions
Floor line fire-stopping	4 pcf. mineral wool in each stud cavity at floor lines – attached with Z-clips or equivalent. Safing thickness must match cavity depth
Stud cavity insulation <i>Use either 1, 2, 3 or 4</i>	<ol style="list-style-type: none"> None Fiberglass (batt type Class A, ASTM E84 faced or un-faced) Permax® 2.0X SPF Permax® 2.0X Fast Closed-Cell SPF
Exterior sheathing <i>Use either 1, 2 or 3</i>	<ol style="list-style-type: none"> None (base wall systems 1 and 2 only) 1/2 inch thick, exterior grade gypsum sheathing 5/8 inch thick, Type X, exterior grade gypsum sheathing
Henry® exterior insulation installed onto exterior sheathing <i>Select from list</i>	<ol style="list-style-type: none"> Permax® 2.0X – 3 inches thick (max.) Permax® 2.0X Fast Closed-Cell – 3 inches thick (max.)
Exterior veneer <i>Use either 1, 2 or 3</i>	<ol style="list-style-type: none"> Brick – Nominal 4 inch thick (min.), clay brick with a 2 inch (max.) air gap between insulation and brick, and standard veneer anchors installed 24 inches (max.) OC Stucco – 3/4 inch thick (min.), exterior cement plaster and lath Limestone veneer – 2 inches thick (min.)
Special conditions	Refer to Permax® 2.0X/2.0X Fast Closed Cell SPF ICC-EX report ESR - 3647

Tech-talk: Henry® NFPA 285 Assemblies

Table 3. Walls containing polyisocyanurate insulation and Henry® air barrier membranes

Henry air barriers have been approved for use in NFPA 285 wall assemblies containing polyisocyanurate. Polyisocyanurate may have product specific fire propagation characteristics. Refer to the product specific table as indicated below for more information.

Polyisocyanurate insulation tables:

[Table 3.1](#) – Atlas® Energy Shield® Pro – 4 inches thick (max.)

Atlas® Energy Shield® Pro2 – 4 inches thick (max.)

Atlas® Rboard® – 4 inches thick (max.)

[Table 3.2](#) – Dow® Thermax™ – 3 inches thick (max) for light claddings

[Table 3.3](#) – Dow® Thermax™ – 4-1/4 inches thick (max) for heavy masonry claddings

[Table 3.4](#) – Johns Manville AP™ Foil Faced Sheathing – 4.5 inches thick (max.)

[Table 3.5](#) – Hunter Xci CG – 3-1/2 inch thick (max.)

Hunter Xci Class A – 3-1/2 inch thick (max.)

Hunter Xci-286 – 3-1/2 inch thick (max.)

[Table 3.6](#) – Hunter Xci-Foil – 3-1/2 inch thick (max.)

[Table 3.7](#) – Hunter Xci-Foil (Class A) – 3.5 inches thick (max.)

[Table 3.8.A](#) – Hunter Xci-Ply – 3-1/2 inch thick (max.) – Henry® air barrier installed onto exterior grade sheathing

[Table 3.8.B](#) – Hunter Xci-Ply – 3-1/2 inch thick (max.) – Henry® air barrier installed onto Hunter Xci-Ply

Tech-talk: Henry® NFPA 285 Assemblies

Table 3.1 Atlas® Energy Shield® Pro, Atlas® Energy Shield® Pro2 and Atlas® Rboard® – 4 inches thick (max)

Henry® assembly	
Wall component	Materials
Base wall system <i>Use either 1, 2, 3 or 4</i>	<ol style="list-style-type: none"> Concrete wall Concrete masonry unit (CMU) wall Steel Studs – 20-gauge (min.) 3-5/8 inch (min.) steel studs spaced 24 inches OC (max.) with lateral bracing every 4 feet vertically or as required by building code <ol style="list-style-type: none"> 5/8 inch thick, Type X, gypsum wallboard on interior Where allowed in Types I, II, III, or IV construction, FRTW (fire retardant treated wood) studs complying with IBC Section 2303.2, min. nominal 2X4 dimension, spaced 24" OC (max.) <ol style="list-style-type: none"> 5/8" (min.) type X Gypsum Wallboard Interior Bracing as required by code
Floor line fire-stopping <i>Use either 1, 2 or 3</i>	<ol style="list-style-type: none"> None (base wall systems 1 and 2 only) 4 pcf. mineral wool in each stud cavity at floor lines – attached with Z-clips or equivalent. Safing thickness must match cavity depth FRTW fire blocking at floor line in accordance with applicable code requirement
Stud cavity insulation <i>Use either 1, 2, 3, 4 or 5</i> <i>Note: items 2-4 may incorporate a Class A vapor barrier film</i>	<ol style="list-style-type: none"> None Noncombustible insulation per ASTM E136 Mineral fiber (Board type Class A, ASTM E84 faced or un-faced) Fiberglass (Batt type Class A, ASTM E84 faced or un-faced) Henry® Permax® SPF - 6 inches (max.) - See special conditions (do not use spray polyurethane foam stud cavity insulation if incorporating an interior vapor barrier membrane - see optional interior vapor barrier row below)
Optional interior vapor barrier <i>Use either 1 or 2</i>	<ol style="list-style-type: none"> None One layer of 6-mil thick (max.) polyethylene film (do not use spray polyurethane foam stud cavity insulation if incorporating an interior vapor barrier membrane -see note above)
Exterior sheathing <i>Use either 1, 2, 3 or 4</i>	<ol style="list-style-type: none"> None (base wall systems 1 and 2 only) 1/2 inch thick, exterior grade gypsum sheathing 5/8 inch thick, Type X, exterior grade gypsum sheathing 1/2 inch thick (min.) FRTW sheathing complying with IBC Section 2303.2 and installed in accordance with code allowances for Types I, II, III or IV construction
Henry® air barrier installed onto exterior sheathing <i>Select from list</i>	<ol style="list-style-type: none"> Air-Bloc® 16MR Air-Bloc® 17MR Air-Bloc® 21FR Air-Bloc® 31MR Air-Bloc® 32MR Air-Bloc® 33MR Air-Bloc® All Weather STPE™ Blueskin® VP160 Blueskin® SA or Blueskin® SA LT FoilSkin® Metal Clad™
Exterior insulation installed onto Henry® air barrier <i>Use either 1, 2 or 3</i>	<ol style="list-style-type: none"> Atlas® Energy Shield® Pro Rigid Insulation – 4 inches thick (max.) Atlas® Energy Shield® Pro2 Rigid Insulation – 4 inches thick (max.) Atlas® Rboard® Rigid Insulation – 4 inches thick (max.)
Exterior veneer <i>Use either 1, 2, 3, 4, 5, 6, 7, 8, 9, 10, 11, 12 or 13</i>	<ol style="list-style-type: none"> Brick – Nominal 4 inch thick (min.), clay brick with a 2 inch (max.) air gap between insulation and brick, and standard veneer anchors installed 24 inches (max.) OC Stucco – 3/4 inch thick (min.), exterior cement plaster and lath Stone veneer – 2 inches thick (min.) Cast stone – 1-1/2 inches thick (min.) Terracotta cladding – 1-1/4 inch thick (min.) Aluminum Composite Material (ACM) – systems that have successfully passed NFPA 285 Uninsulated metal panels including steel, copper, or aluminum Fiber cement siding Autoclaved-aerated concrete (AAC) panels – systems that have successfully passed NFPA 285 Thin set brick Concrete Masonry Units (CMU) – 4 inch thick CMU (min.), with a 2 inch (max.) air gap between exterior insulation and CMU Concrete Panels – 2 inch thick (min.) panel, with a 2 inch (max.) air gap between exterior insulation and concrete panel Insulated Concrete Sandwich Panels – 2 inch thick (min.) outer and inner faces with 2 inch (max.) air gap between inner face and wall system
Special conditions	Use 0.03 inch stainless flashing header treatment when polyisocyanurate exterior insulation is installed in conjunction with spray polyurethane foam cavity insulation.
Flashing of window, door and other exterior wall penetrations	Flash window, door and exterior penetrations in accordance with applicable code using asphalt, acrylic or butyl based flashing (Blueskin® SA, Blueskin® Butyl Flash or Air-Bloc® LF) – 12-inches wide (max.).

Tech-talk: Henry® NFPA 285 Assemblies

Table 3.2 Walls containing Dow® Thermax™ – 3 inches thick (max) for light claddings

Henry® assembly	
Wall component	Materials
Base wall system <i>Use either 1, 2, 3 or 4</i>	<ol style="list-style-type: none"> Concrete wall Concrete masonry unit (CMU) wall Steel Studs – 20-gauge (min.) 3-5/8 inch (min.) steel studs spaced 24 inches OC (max.) with lateral bracing every 4 feet vertically or as required by building code <ol style="list-style-type: none"> 5/8 inch thick, Type X, gypsum wallboard on interior Where allowed in Types I, II, III, or IV construction, FRTW (fire retardant treated wood) studs complying with IBC Section 2303.2, min. nominal 2X4 dimension, spaced 24" OC (max.) <ol style="list-style-type: none"> 5/8" (min.) type X Gypsum Wallboard Interior Bracing as required by code
Floor line fire-stopping <i>Use either 1, 2 or 3</i>	<ol style="list-style-type: none"> None (base wall systems 1 and 2 only) 4 pcf. mineral wool in each stud cavity at floor lines – attached with Z-clips or equivalent. Safing thickness must match cavity depth FRTW fire blocking at floor line in accordance with applicable code requirements
Stud cavity insulation <i>Use either 1, 2 or 3</i>	<ol style="list-style-type: none"> None Fiberglass (batt type Class A, ASTM E84 faced or un-faced) Full stud depth (max.) Dow Styrofoam Spray Polyurethane Foam CM2030, 2045 or 2060 complying with ESR 2670. Apply to interior side of exterior sheathing
Exterior sheathing <i>Use either 1, 2, 3 or 4</i>	<ol style="list-style-type: none"> None (base wall systems 1 and 2 only) 1/2 inch thick, exterior grade gypsum sheathing 5/8 inch thick, Type X, exterior grade gypsum sheathing 1/2 inch thick (min.) FRTW sheathing complying with IBC Section 2303.2 and installed in accordance with code allowances for Types I, II, III or IV construction
Henry® air barrier installed onto exterior sheathing <i>Select from list</i>	<ol style="list-style-type: none"> Air-Bloc® 16MR Air-Bloc® 17MR Air-Bloc® 21FR Air-Bloc® 31MR Air-Bloc® 32MR Air-Bloc® 33MR Air-Bloc® All Weather STPE™ Blueskin® SA or Blueskin® SA LT Blueskin® VP160 Foilskin® Metal Clad™
Exterior insulation installed onto Henry® air barrier	Dow® Thermax™ Insulation – 3 inches thick (max.)
Exterior veneer <i>Use either 1, 2, 3, 4, 5, 6, 7 or 8</i>	<ol style="list-style-type: none"> Cast stone – 3/4 inch thick (min.) bonded using cementitious mortar to a 1/2 inch thick (min.) cement board or gypsum sheathing Metal Composite Material (MCM) – systems that have successfully passed NFPA 285 Terracotta cladding – 1-1/4 inch thick (min.) Uninsulated metal panels including steel, copper, or aluminum Fiber cement siding Concrete Panels – 1-1/2 inches thick (min.) with a 2 inch (max.) air gap between exterior insulation and concrete panels Ceramic tile – 3/8 inch thick (min.) bonded using noncombustible mortar adhesive to a 1/2 inch thick (min.) cement board or gypsum sheathing Thin set brick – 3/4 inch thick (min.), exterior cement plaster and lath
Special conditions	Window headers must incorporate 25 ga. (min.) steel flashing.

Tech-talk: Henry® NFPA 285 Assemblies

Table 3.3 Walls containing Dow® Thermax™ – 4-1/4 inches thick (max) for heavy masonry claddings

Henry® assembly	
Wall component	Materials
Base wall system <i>Use either 1, 2, 3 or 4</i>	<ol style="list-style-type: none"> Concrete wall Concrete masonry unit (CMU) wall Steel Studs – 20-gauge (min.) 3-5/8 inch (min.) steel studs spaced 24 inches OC (max.) with lateral bracing every 4 feet vertically or as required by building code <ol style="list-style-type: none"> 5/8 inch thick, Type X, gypsum wallboard on interior Where allowed in Types I, II, III, or IV construction, FRTW (fire retardant treated wood) studs complying with IBC Section 2303.2, min. nominal 2X4 dimension, spaced 24" OC (max.) <ol style="list-style-type: none"> 5/8" (min.) type X Gypsum Wallboard Interior Bracing as required by code
Floor line fire-stopping <i>Use either 1, 2 or 3</i>	<ol style="list-style-type: none"> None (base wall systems 1 and 2 only) 4 pcf. mineral wool in each stud cavity at floor lines – attached with Z-clips or equivalent. Safing thickness must match cavity depth. FRTW fire blocking at floor line in accordance with applicable code requirements.
Stud cavity insulation <i>Use either 1, 2 or 3</i>	<ol style="list-style-type: none"> None Fiberglass (batt type Class A, ASTM E84 faced or un-faced) Full stud depth (max.) Dow Styrofoam Spray Polyurethane Foam CM2030, 2045 or 2060 complying with ESR 2670. Apply to interior side of exterior sheathing
Exterior sheathing <i>Use either 1, 2, 3 or 4</i>	<ol style="list-style-type: none"> None (base wall systems 1 and 2 only) 1/2 inch thick, exterior grade gypsum sheathing 5/8 inch thick, Type X, exterior grade gypsum sheathing 1/2 inch thick (min.) FRTW sheathing complying with IBC Section 2303.2 and installed in accordance with code allowances for Types I, II, III or IV construction
Henry® air barrier installed onto exterior sheathing <i>Select from list</i>	<ol style="list-style-type: none"> Air-Bloc® 16MR Air-Bloc® 17MR Air-Bloc® 21FR Air-Bloc® 31MR Air-Bloc® 32MR Air-Bloc® 33MR Air-Bloc® All Weather STPE™ Blueskin® SA or Blueskin® SA LT Blueskin® VP160 Foilskin® Metal Clad™
Exterior insulation installed onto Henry® air barrier	Dow® Thermax™ Insulation – 4-1/4 inches thick (max.)
Exterior veneer <i>Use either 1, 2, 3, 4, 5 or 6</i>	<ol style="list-style-type: none"> Brick – Nominal 4 inch thick (min.), clay brick with a 2 inch (max.) air gap between insulation and brick, and standard veneer anchors installed 24 inches (max.) OC Stucco – 3/4 inch thick (min.), exterior cement plaster and lath Stone veneer – 2 inches thick (min.) Cast stone – 1-1/2 inches thick (min.) Terracotta cladding – 1-1/4 inch thick (min.) Concrete Panels – 1-1/2 inches thick (min.) with a 2 inch (max.) air gap between exterior insulation and concrete panels
Special conditions	Window headers must incorporate 25 ga. (min.) steel flashing.

Tech-talk: Henry® NFPA 285 Assemblies

Table 3.4 Walls containing Johns Manville - AP™ Foil Faced Sheathing – 4-1/2 inches thick (max.)

Henry® assembly	
Wall component	Materials
Base wall system <i>Use either 1, 2, 3 or 4</i>	<ol style="list-style-type: none"> Concrete wall Concrete masonry unit (CMU) wall Steel Studs – 20-gauge (min.) 3-5/8 inch (min.) steel studs spaced 24 inches OC (max.) with lateral bracing every 4 feet vertically or as required by building code <ol style="list-style-type: none"> 5/8 inch thick, Type X, gypsum wallboard on interior Where allowed in Types I, II, III, or IV construction, FRTW (fire retardant treated wood) studs complying with IBC Section 2303.2, min. nominal 2X4 dimension, spaced 24" OC (max.) <ol style="list-style-type: none"> 5/8" (min.) type X Gypsum Wallboard Interior Bracing as required by code
Floor line fire-stopping <i>Use either 1, 2 or 3</i>	<ol style="list-style-type: none"> None (base wall systems 1 and 2 only) 4 pcf. mineral wool in each stud cavity at floor lines – attached with Z-clips or equivalent. Safing thickness must match cavity depth FRTW fire blocking at floor line in accordance with applicable code requirement
Stud cavity insulation <i>Use either 1, 2, 3, 4 or 5</i> <i>Note: items 2-4 may incorporate a Class A vapor barrier film</i>	<ol style="list-style-type: none"> None Noncombustible insulation per ASTM E136 Mineral fiber (Board type Class A, ASTM E84 faced or un-faced) Fiberglass (Batt type Class A, ASTM E84 faced or un-faced) Henry® Permax® SPF - 6 inches (max.) - See special conditions (do not use spray polyurethane foam stud cavity insulation if incorporating an interior vapor barrier membrane - see optional interior vapor barrier row below)
Optional interior vapor barrier <i>Use either 1 or 2</i>	<ol style="list-style-type: none"> None One layer of 6-mil thick (max.) polyethylene film (do not use spray polyurethane foam stud cavity insulation if incorporating an interior vapor barrier membrane -see note above)
Exterior sheathing <i>Use either 1, 2 or 3</i>	<ol style="list-style-type: none"> None (base wall systems 1 and 2 only) 1/2 inch thick, exterior grade gypsum sheathing 5/8 inch thick, Type X, exterior grade gypsum sheathing
Henry® air barrier installed onto exterior sheathing <i>Select from list</i>	<ol style="list-style-type: none"> Air-Bloc® 16MR Air-Bloc® 17MR Air-Bloc® 21FR Air-Bloc® 31MR Air-Bloc® 32MR Air-Bloc® 33MR Air-Bloc® All Weather STPE™ Blueskin® VP160 Blueskin® SA or Blueskin® SA LT FoilSkin® Metal Clad™
Exterior insulation installed onto Henry® air barrier	Johns Manville AP™ Foil Faced Sheathing – 4.5 inches thick (max.)
Exterior veneer <i>Use either 1, 2, 3, 4 or 5</i>	<ol style="list-style-type: none"> Brick – Nominal 4 inch thick (min.), clay brick with a 2 inch (max.) air gap between insulation and brick, and standard veneer anchors installed 24 inches (max.) OC Stucco – 3/4 inch thick (min.), exterior cement plaster and lath Stone veneer – 2 inches thick (min.) Cast stone – 1-1/2 inches thick (min.) Terracotta cladding – 1-1/4 inch thick (min.)
Special conditions	Use 0.03 inch stainless flashing header treatment when polyisocyanurate exterior insulation is installed in conjunction with spray polyurethane foam cavity insulation.
Flashing of window, door and other exterior wall penetrations	Flash window, door and exterior penetrations in accordance with applicable code using asphalt, acrylic or butyl based flashing (Blueskin® SA, Blueskin® Butyl Flash or Air-Bloc® LF) – 12-inches wide (max.).

Tech-talk: Henry® NFPA 285 Assemblies

Table 3.5 Hunter Xci CG, Hunter Xci Class A and Hunter Xci-286 – 3-1/2 inch thick (max.)

Henry® assembly	
Wall component	Materials
Base wall system <i>Use either 1, 2, 3 or 4</i>	<ol style="list-style-type: none"> Concrete wall Concrete masonry unit (CMU) wall Steel Studs – 25-gauge (min.) 3-5/8 inch (min.) steel studs spaced 24 inches OC (max.) with lateral bracing every 4 feet vertically or as required by building code <ol style="list-style-type: none"> 5/8 inch thick, Type X, gypsum wallboard on interior Where allowed in Types I, II, III, or IV construction, FRTW (fire retardant treated wood) studs complying with IBC Section 2303.2, min. nominal 2X4 dimension, spaced 24" OC (max.) <ol style="list-style-type: none"> 5/8" (min.) type X Gypsum Wallboard Interior Bracing as required by code
Floor line fire-stopping <i>Use either 1, 2 or 3</i>	<ol style="list-style-type: none"> None (base wall systems 1 and 2 only) 4 pcf. mineral wool in each stud cavity at floor lines – attached with Z-clips or equivalent. Safing thickness must match cavity depth. FRTW fire blocking at floor line in accordance with applicable code requirements.
Stud cavity insulation <i>Use either 1, 2, 3 or 4</i>	<ol style="list-style-type: none"> None Noncombustible insulation (faced or un-faced) per ASTM E136 Mineral fiber (board type Class A, faced or un-faced meeting ASTM E84) Fiberglass (batt type Class A, faced or un-faced meeting ASTM E84)
Exterior sheathing <i>Use either 1, 2, 3 or 4</i>	<ol style="list-style-type: none"> None (base wall systems 1 and 2) 1/2 inch thick, exterior grade gypsum sheathing 5/8 inch thick, Type X, exterior grade gypsum sheathing 1/2 inch thick (min.) FRTW sheathing complying with IBC Section 2303.2 and installed in accordance with code allowances for Types I, II, III or IV construction
Henry® air barrier installed onto exterior sheathing <i>Select from list</i>	<ol style="list-style-type: none"> Air-Bloc® 16MR Air-Bloc® 17MR Air-Bloc® 21FR Air-Bloc® 31MR Air-Bloc® 33MR Air-Bloc® All Weather STPE™ Blueskin® VP160 Foilskin® Metal Clad™
Exterior insulation installed onto Henry® air barrier <i>Use either 1, 2 or 3</i>	<ol style="list-style-type: none"> Hunter Xci CG – 3-1/2 inch thick (max.) Hunter Xci Class A – 3-1/2 inch thick (max.) Hunter Xci-286 – 3-1/2 inch thick (max.)
Exterior veneer <i>Use either 1, 2, 3, 4, 5, 6, 7, 8, 9 or 10</i>	<ol style="list-style-type: none"> Brick – Nominal 4 inch thick (min.), clay brick with a 2 inch (max.) air gap between insulation and brick, and standard veneer anchors installed 24 inches (max.) OC Stucco – 3/4 inch thick (min.), exterior cement plaster and lath Stone veneer – 2 inches thick (min.) Cast stone – 1-1/2 inches thick (min.) Terracotta cladding – 1-1/4 inch thick (min.) Metal Composite Material (MCM) – systems that have successfully passed NFPA 285 Uninsulated metal panels including steel, copper, or aluminum Fiber cement siding Stone Aluminum Honeycomb Composite Panels – Any system successfully tested by the panel manufacturer via the NFPA 285 test method Autoclaved-aerated concrete (AAC) panels – systems that have successfully passed NFPA 285
Special conditions	Install 25 gauge (min.) steel flashing at window header.

Tech-talk: Henry® NFPA 285 Assemblies

Table 3.6 Hunter Xci-Foil – 3-1/2 inch thick (max.)

Henry® assembly	
Wall component	Materials
Base wall system <i>Use either 1, 2, 3 or 4</i>	<ol style="list-style-type: none"> Concrete wall Concrete masonry unit (CMU) wall Steel Studs – 25-gauge (min.) 3-5/8 inch (min.) steel studs spaced 24 inches OC (max.) with lateral bracing every 4 feet vertically or as required by building code <ol style="list-style-type: none"> 5/8 inch thick, Type X, gypsum wallboard on interior Where allowed in Types I, II, III, or IV construction, FRTW (fire retardant treated wood) studs complying with IBC Section 2303.2, min. nominal 2X4 dimension, spaced 24" OC (max.) <ol style="list-style-type: none"> 5/8" (min.) type X Gypsum Wallboard Interior Bracing as required by code
Floor line fire-stopping <i>Use either 1, 2 or 3</i>	<ol style="list-style-type: none"> None (base wall systems 1 and 2 only) 4 pcf. mineral wool in each stud cavity at floor lines – attached with Z-clips or equivalent. Safing thickness must match cavity depth. FRTW fire blocking at floor line in accordance with applicable code requirements.
Stud cavity insulation <i>Use either 1, 2, 3 or 4</i>	<ol style="list-style-type: none"> None Noncombustible insulation (faced or un-faced) per ASTM E136 Mineral fiber (board type Class A, faced or un-faced meeting ASTM E84) Fiberglass (batt type Class A, faced or un-faced meeting ASTM E84)
Exterior sheathing <i>Use either 1, 2, 3 or 4</i>	<ol style="list-style-type: none"> None (base wall systems 1 and 2) 1/2 inch thick, exterior grade gypsum sheathing 5/8 inch thick, Type X, exterior grade gypsum sheathing 1/2 inch thick (min.) FRTW sheathing complying with IBC Section 2303.2 and installed in accordance with code allowances for Types I, II, III or IV construction
Henry® air barrier installed onto exterior sheathing <i>Select from list</i>	<ol style="list-style-type: none"> Air-Bloc® 16MR Air-Bloc® 17MR Air-Bloc® 21FR Air-Bloc® 31MR Air-Bloc® 33MR Air-Bloc® All Weather STPE™ Blueskin® VP160 Foilskin® Metal Clad™
Exterior insulation installed onto Henry® air barrier	Hunter Xci-Foil – 3-1/2 inch thick (max.)
Exterior veneer <i>Use either 1, 2, 3, 4 or 5</i>	<ol style="list-style-type: none"> Brick – Nominal 4 inch thick (min.), clay brick with a 2 inch (max.) air gap between insulation and brick, and standard veneer anchors installed 24 inches (max.) OC Stucco – 3/4 inch thick (min.), exterior cement plaster and lath Stone veneer – 2 inches thick (min.) Cast stone – 1-1/2 inches thick (min.) Terracotta cladding – 1-1/4 inch thick (min.)
Special conditions	Install 25 gauge (min.) steel flashing at window header.

Tech-talk: Henry® NFPA 285 Assemblies

Table 3.7 Hunter Xci-Foil (Class A) – 3.5 inches thick (max.)

Henry® assembly	
Wall component	Materials
Base wall system <i>Use either 1, 2, 3 or 4</i>	<ol style="list-style-type: none"> Concrete wall Concrete masonry unit (CMU) wall Steel Studs – 20-gauge (min.) 3-5/8 inch (min.) steel studs spaced 24 inches OC (max.) with lateral bracing every 4 feet vertically or as required by building code <ol style="list-style-type: none"> 5/8 inch thick, Type X, gypsum wallboard on interior Where allowed in Types I, II, III, or IV construction, FRTW (fire retardant treated wood) studs complying with IBC Section 2303.2, min. nominal 2X4 dimension, spaced 24" OC (max.) <ol style="list-style-type: none"> 5/8" (min.) type X Gypsum Wallboard Interior Bracing as required by code
Floor line fire-stopping <i>Use either 1, 2 or 3</i>	<ol style="list-style-type: none"> None (base wall systems 1 and 2 only) 4 pcf. mineral wool in each stud cavity at floor lines – attached with Z-clips or equivalent. Safing thickness must match cavity depth FRTW fire blocking at floor line in accordance with applicable code requirement
Stud cavity insulation <i>Use either 1, 2, 3, 4 or 5</i> <i>Note: items 2-4 may incorporate a Class A vapor barrier film</i>	<ol style="list-style-type: none"> None Noncombustible insulation per ASTM E136 Mineral fiber (Board type Class A, ASTM E84 faced or un-faced) Fiberglass (Batt type Class A, ASTM E84 faced or un-faced) Henry® Permax® SPF - 6 inches (max.) - See special conditions (do not use spray polyurethane foam stud cavity insulation if incorporating an interior vapor barrier membrane - see optional interior vapor barrier row below)
Optional interior vapor barrier <i>Use either 1 or 2</i>	<ol style="list-style-type: none"> None One layer of 6-mil thick (max.) polyethylene film (do not use spray polyurethane foam stud cavity insulation if incorporating an interior vapor barrier membrane -see note above)
Exterior sheathing <i>Use either 1, 2, 3 or 4</i>	<ol style="list-style-type: none"> None (base wall systems 1 and 2 only) 1/2 inch thick, exterior grade gypsum sheathing 5/8 inch thick, Type X, exterior grade gypsum sheathing 1/2 inch thick (min.) FRTW sheathing complying with IBC Section 2303.2 and installed in accordance with code allowances for Types I, II, III or IV construction
Henry® air barrier installed onto exterior sheathing <i>Select from list</i>	<ol style="list-style-type: none"> Air-Bloc® 16MR Air-Bloc® 17MR Air-Bloc® 21FR Air-Bloc® 31MR Air-Bloc® 32MR Air-Bloc® 33MR Air-Bloc® All Weather STPE™ Blueskin® VP160 Blueskin® SA or Blueskin® SA LT FoilSkin® Metal Clad™
Exterior insulation installed onto Henry® air barrier	Hunter Xci-Foil (Class A) – 3.5 inches thick (max.)
Exterior veneer <i>Use either 1, 2, 3, 4, 5, 6, 7, 8, 9, 10, 11, 12 or 13</i>	<ol style="list-style-type: none"> Brick – Nominal 4 inch thick (min.), clay brick with a 2 inch (max.) air gap between insulation and brick, and standard veneer anchors installed 24 inches (max.) OC Stucco – 3/4 inch thick (min.), exterior cement plaster and lath Stone veneer – 2 inches thick (min.) Cast stone – 1-1/2 inches thick (min.) Terracotta cladding – 1-1/4 inch thick (min.) Aluminum Composite Material (ACM) – systems that have successfully passed NFPA 285 Uninsulated metal panels including steel, copper, or aluminum Fiber cement siding Autoclaved-aerated concrete (AAC) panels – systems that have successfully passed NFPA 285 Thin set brick Concrete Masonry Units (CMU) – 4 inch thick CMU (min.), with a 2 inch (max.) air gap between exterior insulation and CMU Concrete Panels – 2 inch thick (min.) panel, with a 2 inch (max.) air gap between exterior insulation and concrete panel Insulated Concrete Sandwich Panels – 2 inch thick (min.) outer and inner faces with 2 inch (max.) air gap between inner face and wall system
Special conditions	Use 0.03 inch stainless flashing header treatment when polyisocyanurate exterior insulation is installed in conjunction with spray polyurethane foam cavity insulation.
Flashing of window, door and other exterior wall penetrations	Flash window, door and exterior penetrations in accordance with applicable code using asphalt, acrylic or butyl based flashing (Blueskin® SA, Blueskin® Butyl Flash or Air-Bloc® LF) – 12-inches wide (max.).

Tech-talk: Henry® NFPA 285 Assemblies

Table 3.8.A Hunter Xci-Ply – 3-1/2 inch thick (max.) – Henry® air barrier installed onto exterior grade sheathing

Henry® assembly	
Wall component	Materials
Base wall system <i>Use either 1, 2, 3 or 4</i>	<ol style="list-style-type: none"> Concrete wall Concrete masonry unit (CMU) wall Steel Studs – 25-gauge (min.) 3-5/8 inch (min.) steel studs spaced 24 inches OC (max.) with lateral bracing every 4 feet vertically or as required by building code <ol style="list-style-type: none"> 5/8 inch thick, Type X, gypsum wallboard on interior Where allowed in Types I, II, III, or IV construction, FRTW (fire retardant treated wood) studs complying with IBC Section 2303.2, min. nominal 2X4 dimension, spaced 24" OC (max.) <ol style="list-style-type: none"> 5/8" (min.) type X Gypsum Wallboard Interior Bracing as required by code
Floor line fire-stopping <i>Use either 1, 2 or 3</i>	<ol style="list-style-type: none"> None (base wall systems 1 and 2 only) 4 pcf. mineral wool in each stud cavity at floor lines – attached with Z-clips or equivalent. Safing thickness must match cavity depth. FRTW fire blocking at floor line in accordance with applicable code requirements.
Stud cavity insulation <i>Use either 1, 2, 3 or 4</i>	<ol style="list-style-type: none"> None Noncombustible insulation (faced or un-faced) per ASTM E136 Mineral fiber (board type Class A, faced or un-faced meeting ASTM E84) Fiberglass (batt type Class A, faced or un-faced meeting ASTM E84)
Exterior sheathing <i>Use either 1, 2, 3 or 4</i>	<ol style="list-style-type: none"> None (base wall systems 1 and 2) 1/2 inch thick, exterior grade gypsum sheathing 5/8 inch thick, Type X, exterior grade gypsum sheathing 1/2 inch thick (min.) FRTW sheathing complying with IBC Section 2303.2 and installed in accordance with code allowances for Types I, II, III or IV construction
Henry® air barrier installed onto exterior sheathing <i>Select from list</i>	<ol style="list-style-type: none"> Air-Bloc® 16MR Air-Bloc® 17MR Air-Bloc® 21FR Air-Bloc® 31MR Air-Bloc® 32MR Air-Bloc® 33MR Air-Bloc® All Weather STPE™ Blueskin® SA or Blueskin® SA LT Blueskin® VP160 Foilskin® Metal Clad™
Exterior insulation installed onto Henry® air barrier	Hunter Xci-Ply – 3-1/2 inch thick (max.)
Exterior veneer <i>Use either 1, 2, 3, 4, 5, 6, 7, 8, 9, 10 or 11</i>	<ol style="list-style-type: none"> Brick – Nominal 4 inch thick (min.), clay brick with a 2 inch (max.) air gap between insulation and brick, and standard veneer anchors installed 24 inches (max.) OC Stucco – 3/4 inch thick (min.), exterior cement plaster and lath Stone veneer – 2 inches thick (min.) Cast stone – 1-1/2 inches thick (min.) Terracotta cladding – 1-1/4 inch thick (min.) Metal Composite Material (MCM) – systems that have successfully passed NFPA 285 Uninsulated metal panels including steel, copper, or aluminum Fiber cement siding Stone Aluminum Honeycomb Composite Panels – Any system successfully tested by the panel manufacturer via the NFPA 285 test method Autoclaved-aerated concrete (AAC) panels – systems that have successfully passed NFPA 285 Thin set brick
Special conditions	Install 25 gauge (min.) steel flashing at window header.

Tech-talk: Henry® NFPA 285 Assemblies

Table 3.8.B Hunter Xci-Ply – 3-1/2 inch thick (max.) Henry® air barrier installed onto Hunter Xci-Ply

Henry® assembly	
Wall component	Materials
Base wall system <i>Use either 1, 2, 3 or 4</i>	<ol style="list-style-type: none"> Concrete wall Concrete masonry unit (CMU) wall Steel Studs – 25-gauge (min.) 3-5/8 inch (min.) steel studs spaced 24 inches OC (max.) with lateral bracing every 4 feet vertically or as required by building code <ol style="list-style-type: none"> 5/8 inch thick, Type X, gypsum wallboard on interior Where allowed in Types I, II, III, or IV construction, FRTW (fire retardant treated wood) studs complying with IBC Section 2303.2, min. nominal 2X4 dimension, spaced 24" OC (max.) <ol style="list-style-type: none"> 5/8" (min.) type X Gypsum Wallboard Interior Bracing as required by code
Floor line fire-stopping <i>Use either 1, 2 or 3</i>	<ol style="list-style-type: none"> None (base wall systems 1 and 2 only) 4 pcf. mineral wool in each stud cavity at floor lines – attached with Z-clips or equivalent. Safing thickness must match cavity depth. FRTW fire blocking at floor line in accordance with applicable code requirements.
Stud cavity insulation <i>Use either 1, 2, 3 or 4</i>	<ol style="list-style-type: none"> None Noncombustible insulation (faced or un-faced) per ASTM E136 Mineral fiber (board type Class A, faced or un-faced meeting ASTM E84) Fiberglass (batt type Class A, faced or un-faced meeting ASTM E84)
Hunter Xci-Ply exterior insulation sheathing	Hunter Xci-Ply – 3-1/2 inch thick (max.)
Henry® air barrier installed onto exterior insulation sheathing <i>Select from list</i>	<ol style="list-style-type: none"> Air-Bloc® 16MR Air-Bloc® 17MR Air-Bloc® 21FR Air-Bloc® 31MR Air-Bloc® 33MR Air-Bloc® All Weather STPE™ Blueskin® VP160 Foilskin® Metal Clad™
Exterior veneer <i>Use either 1, 2, 3, 4, 5, 6, 7, 8, 9, 10 or 11</i>	<ol style="list-style-type: none"> Brick – Nominal 4 inch thick (min.), clay brick with a 2 inch (max.) air gap between insulation and brick, and standard veneer anchors installed 24 inches (max.) OC Stucco – 3/4 inch thick (min.), exterior cement plaster and lath Stone veneer – 2 inches thick (min.) Cast stone – 1-1/2 inches thick (min.) Terracotta cladding – 1-1/4 inch thick (min.) Metal Composite Material (MCM) – systems that have successfully passed NFPA 285 Uninsulated metal panels including steel, copper, or aluminum Fiber cement siding Stone Aluminum Honeycomb Composite Panels – Any system successfully tested by the panel manufacturer via the NFPA 285 test method Autoclaved-aerated concrete (AAC) panels – systems that have successfully passed NFPA 285 Thin set brick
Special conditions	Install 25 gauge (min.) steel flashing at window header.

Tech-talk: Henry® NFPA 285 Assemblies

Table 4. Walls containing mineral wool insulation and Henry® air barriers

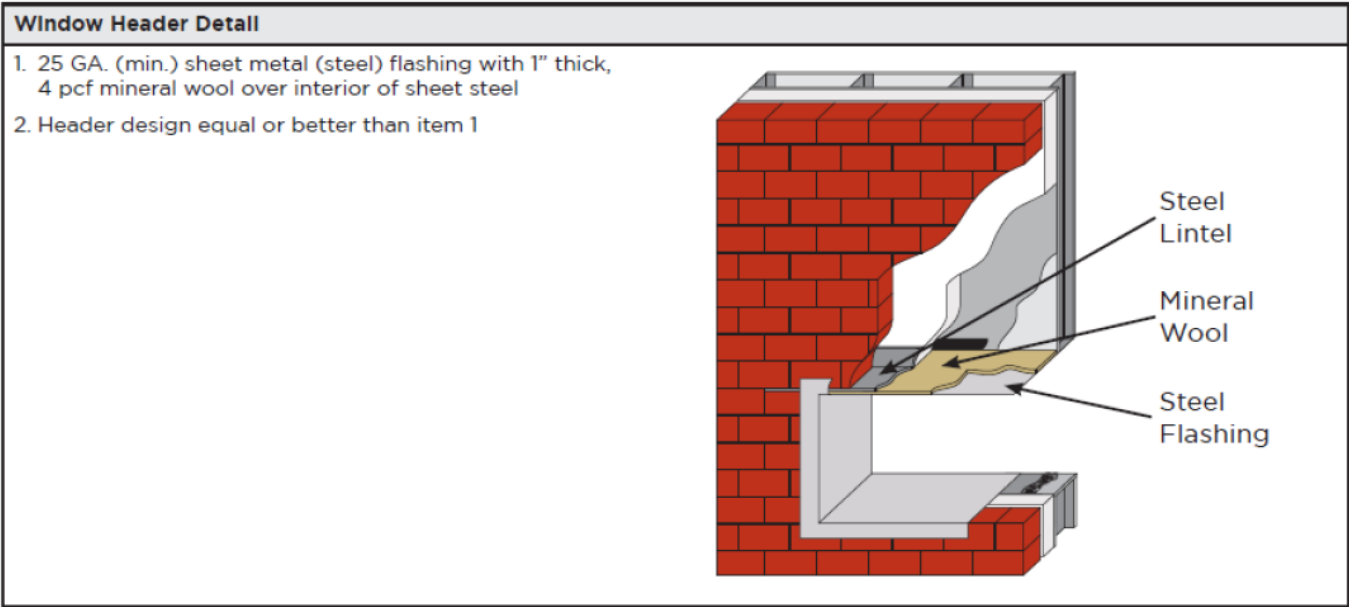
Henry® assembly	
Wall component	Materials
Base wall system <i>Use either 1, 2, 3 or 4</i>	<ol style="list-style-type: none"> Concrete wall Concrete masonry unit (CMU) wall Steel Studs – 20-gauge (min.) 3-5/8 inch (min.) steel studs spaced 24 inches OC (max.) with lateral bracing every 4 feet vertically or as required by building code <ol style="list-style-type: none"> 5/8 inch thick, Type X, gypsum wallboard on interior Where allowed in Types I, II, III, or IV construction, FRTW (fire retardant treated wood) studs complying with IBC Section 2303.2, min. nominal 2X4 dimension, spaced 24" OC (max.) <ol style="list-style-type: none"> 5/8" (min.) type X Gypsum Wallboard Interior Bracing as required by code
Stud cavity insulation <i>Use either 1, 2, 3, 4 or 5</i> <i>Note: items 2-4 may incorporate a Class A vapor barrier film</i>	<ol style="list-style-type: none"> None Noncombustible insulation per ASTM E136 Mineral fiber (Board type Class A, ASTM E84 faced or un-faced) Fiberglass (Batt type Class A, faced or un-faced meeting ASTM E84) Henry Permax® SPF - 6 inches (max.) (do not use spray polyurethane foam stud cavity insulation if incorporating an interior vapor barrier membrane - see optional interior vapor barrier row below)
Optional interior vapor barrier <i>Use either 1 or 2</i>	<ol style="list-style-type: none"> None One layer of 6-mil thick (max.) polyethylene film (do not use spray polyurethane foam stud cavity insulation if incorporating an interior vapor barrier membrane - see note above)
Exterior sheathing <i>Use either 1, 2, 3 or 4</i>	<ol style="list-style-type: none"> None (base wall systems 1 and 2 only) 1/2 inch thick, exterior grade gypsum sheathing 5/8 inch thick, Type X, exterior grade gypsum sheathing 1/2 inch thick (min.) FRTW sheathing complying with IBC Section 2303.2 and installed in accordance with code allowances for Types I, II, III or IV construction
Henry® air barrier installed onto exterior sheathing <i>Select from list</i>	<ol style="list-style-type: none"> Air-Bloc® 16MR Air-Bloc® 17MR Air-Bloc® 21FR Air-Bloc® 31MR Air-Bloc® 32MR Air-Bloc® 33MR Air-Bloc® All Weather STPE™ Blueskin® VP160 Blueskin® SA or Blueskin® SA LT FoilSkin® Metal Clad™
Exterior insulation installed onto Henry® air barrier	Mineral wool insulation as per ASTM C612 and meeting the following conditions: <ol style="list-style-type: none"> 1-1/2 inch thick minimum Noncombustible via ASTM E136 testing Density range from 4.0 to 9.0 lbs/ft³ R-value/inch range from 3.5 to 4.5 Mechanically attach mineral wool Completely cover the air barrier membrane with mineral wool
Exterior veneer <i>Use either 1, 2, 3, 4, 5, 6, 7, 8, 9, 10, 11 or 12</i>	<ol style="list-style-type: none"> Brick – Nominal 4 inch thick (min.), clay brick with a 2 inch (max.) air gap between insulation and brick, and standard veneer anchors installed 24 inches (max.) OC Stucco – 3/4 inch thick (min.), exterior cement plaster and lath Stone veneer – 2 inches thick (min.) Cast stone – 1-1/2 inches thick (min.) Terracotta cladding – 1-1/4 inch thick (min.) Aluminum Composite Material (ACM) – systems that have successfully passed NFPA 285 Uninsulated metal panels including steel, copper, or aluminum Fiber cement siding Autoclaved-aerated concrete (AAC) panels – systems that have successfully passed NFPA 285 Thin set brick Concrete Masonry Units (CMU) – 4 inches thick (min.) with a 2 inch (max) air gap between exterior insulation and CMU Concrete Panels – 2 inches thick (min.) with a 2 inch (max.) air gap between exterior insulation and concrete panels
Flashing of window, door and other exterior wall penetrations	Flash window, door and exterior penetrations in accordance with applicable code using asphalt, acrylic or butyl based flashing (Blueskin® SA, Blueskin® Butyl Flash or Air-Bloc® LF) – 12-inches wide (max.).

Tech-talk: Henry® NFPA 285 Assemblies

Table 5. Walls containing Expanded Polystyrene (EPS) insulation and Henry® air barrier membranes

Henry® assembly	
Wall component	Materials
Base wall system <i>Use either 1, 2, 3 or 4</i>	<ol style="list-style-type: none"> Concrete wall Concrete masonry unit (CMU) wall Steel Studs – 20-gauge (min.) 3-5/8 inch (min.) steel studs spaced 24 inches OC (max.) with lateral bracing every 4 feet vertically or as required by building code <ol style="list-style-type: none"> 5/8 inch thick, Type X, gypsum wallboard on interior Where allowed in Types I, II, III, or IV construction, FRTW (fire retardant treated wood) studs complying with IBC Section 2303.2, min. nominal 2X4 dimension, spaced 24" OC (max.) <ol style="list-style-type: none"> 5/8" (min.) type X Gypsum Wallboard Interior Bracing as required by code
Floor line fire-stopping <i>Use either 1, 2 or 3</i>	<ol style="list-style-type: none"> None (base wall systems 1 and 2 only) 4 pcf. mineral wool in each stud cavity at floor lines – attached with Z-clips or equivalent. Safing thickness must match cavity depth FRTW fire blocking at floor line in accordance with applicable code requirements
Stud cavity insulation <i>Use either 1, 2, 3, 4 or 5</i> <i>Note: items 2-4 may incorporate a Class A vapor barrier film</i>	<ol style="list-style-type: none"> None Noncombustible insulation per ASTM E136 Mineral fiber (Board type Class A, ASTM E84 faced or un-faced) Fiberglass (Batt type Class A, ASTM E84 faced or un-faced) Henry Permax® SPF – 6 inch (max.) (do not use spray polyurethane foam stud cavity insulation if incorporating an interior vapor barrier membrane - see optional interior vapor barrier row below)
Optional interior vapor barrier <i>Use either 1 or 2</i>	<ol style="list-style-type: none"> None One layer of 6-mil thick (max.) polyethylene film (do not use spray polyurethane foam stud cavity insulation if incorporating an interior vapor barrier membrane - see note above)
Exterior sheathing <i>Use either 1, 2, 3 or 4</i>	<ol style="list-style-type: none"> None (base wall systems 1 and 2 only) 1/2 inch thick, exterior grade gypsum sheathing 5/8 inch thick, Type X, exterior grade gypsum sheathing 1/2 inch thick (min.) FRTW sheathing complying with IBC Section 2303.2 and installed in accordance with code allowances for Types I, II, III or IV construction
Henry® air barrier installed onto exterior sheathing <i>Select from list</i>	<ol style="list-style-type: none"> Air-Bloc® 16MR Air-Bloc® 17MR Air-Bloc® 21FR Air-Bloc® 31MR Air-Bloc® 33MR Air-Bloc® All Weather STPE™ Blueskin® VP160 Blueskin® SA or Blueskin® SA LT FoilSkin® Metal Clad™
Exterior insulation installed onto Henry® air barrier <i>Use either 1, 2, 3, 4, 5, 6, 7, 8, 9, 10, 11 or 12</i>	<ol style="list-style-type: none"> Atlas ThermalStar® CVT™ 25 – 5.4-inch thick (max.) Atlas ThermalStar® CVT™ 15 – 7.2-inch thick (max.) Atlas ThermalStar® LCi™ 25 – 5.4-inch thick (max.) Atlas ThermalStar® LCi™ 15 – 7.2-inch thick (max.) Atlas ThermalStar® CHROME 15 – 7.2-inch thick (max.) Atlas ThermalStar® CHROME 25 – 5.4-inch thick (max.) AFM Foam Control® EPS Type I – 10.75-inch (max.) AFM Foam Control® EPS Type VIII – 8.25-inch (max.) AFM Foam Control® EPS Type II – 7-inch (max.) AFM Foam Control® EPS Type IX – 5.25-inch (max.) AFM Foam Control® EPS Type XIV – 4-inch (max.) AFM Foam Control® EPS Type XV – 3.25-inch (max.)
Exterior veneer <i>Use either 1, 2, 3, 4 or 5</i>	<ol style="list-style-type: none"> Brick – Nominal 4 inch thick (min.), clay brick with a 2 inch (max.) air gap between insulation and brick, and standard veneer anchors installed 24 inches (max.) OC Stucco – 3/4 inch thick (min.), exterior cement plaster and lath Stone veneer – 2 inches thick (min.) Cast stone – 1-1/2 inches thick (min.) Terracotta cladding – 1-1/4 inch thick (min.)
Special conditions	Use header treatment shown in figure 4 for all window and door openings in walls utilizing EPS insulation.
Flashing of window, door and other exterior wall penetrations	Flash window, door and exterior penetrations in accordance with applicable code using asphalt, acrylic or butyl based flashing (Blueskin® SA, Blueskin® Butyl Flash or Air-Bloc® LF) – 12-inches wide (max.).

Figure 4 – Expanded Polystyrene (EPS) Window/door opening detail



Source: AFM Technologies

Tech-talk: Henry® NFPA 285 Assemblies

Table 6. Walls with Henry® air barriers and excluding exterior insulation

Henry® assembly	
Wall component	Materials
Base wall system <i>Use either 1, 2, 3 or 4</i>	<ol style="list-style-type: none"> Concrete wall Concrete masonry unit (CMU) wall Steel Studs – 20-gauge (min.) 3-5/8 inch (min.) steel studs spaced 24 inches OC (max.) with lateral bracing every 4 feet vertically or as required by building code <ol style="list-style-type: none"> 5/8 inch thick, Type X, gypsum wallboard on interior Where allowed in Types I, II, III, or IV construction, FRTW (fire retardant treated wood) studs complying with IBC Section 2303.2, min. nominal 2X4 dimension, spaced 24" OC (max.) <ol style="list-style-type: none"> 5/8" (min.) type X Gypsum Wallboard Interior Bracing as required by code
Floor line fire-stopping <i>Use either 1, 2 or 3</i>	<ol style="list-style-type: none"> None (base wall systems 1 and 2 only) 4 pcf. mineral wool in each stud cavity at floor lines – attached with Z-clips or equivalent. Safing thickness must match cavity depth. FRTW fire blocking at floor line in accordance with applicable code requirements.
Stud cavity insulation <i>Use either 1, 2, 3 or 4</i>	<ol style="list-style-type: none"> None Noncombustible insulation per ASTM E136 Mineral fiber (Board type Class A, ASTM E84 faced or un-faced) Fiberglass (Batt type Class A, ASTM E84 faced or un-faced)
Optional interior vapor barrier <i>Use either 1 or 2</i>	<ol style="list-style-type: none"> None One layer of 6-mil thick (max.) polyethylene film
Exterior sheathing <i>Use either 1, 2, 3 or 4</i>	<ol style="list-style-type: none"> None (base wall systems 1 and 2 only) 1/2 inch thick, exterior grade gypsum sheathing 5/8 inch thick, Type X, exterior grade gypsum sheathing 1/2 inch thick (min.) FRTW sheathing complying with IBC Section 2303.2 and installed in accordance with code allowances for Types I, II, III or IV construction
Henry® air barrier installed onto exterior sheathing <i>Select from list</i>	<ol style="list-style-type: none"> Air-Bloc® 16MR Air-Bloc® 17MR Air-Bloc® 21FR Air-Bloc® 31MR Air-Bloc® 33MR Air-Bloc® All Weather STPE™ Blueskin® VP160 FoilSkin® Metal Clad™
Exterior insulation installed onto Henry® air barrier	None
Exterior veneer <i>Use either 1, 2, 3, 4, 5, 6, 7, 8, 9, 10 or 11</i>	<ol style="list-style-type: none"> Brick – Nominal 4 inch thick (min.), clay brick with a 2 inch (max.) air gap between insulation and brick, and standard veneer anchors installed 24 inches (max.) OC Stucco – 3/4 inch thick (min.), exterior cement plaster and lath Stone veneer – 2 inches thick (min.) Cast stone – 1-1/2 inches thick (min.) Terracotta cladding – 1-1/4 inch thick (min.) Uninsulated metal panels including steel, copper, or aluminum Fiber cement siding Metal Composite Material (MCM) – systems that have successfully passed NFPA 285 Concrete Masonry Units (CMU) – 4 inches thick (min.) with a 2 inch (max) air gap between exterior insulation and CMU Concrete Panels – 2 inch thick (min.) panel, with a 2 inch (max.) air gap between exterior insulation and concrete panel Insulated Concrete Sandwich Panels – 2 inch thick (min.) outer and inner faces. 2 inch (max.) air gap between inner face and wall system
Flashing of window, door and other exterior wall penetrations	Flash window, door and exterior penetrations in accordance with applicable code using asphalt, acrylic or butyl based flashing (Blueskin® SA, Blueskin® Butyl Flash or Air-Bloc® LF) – 12-inches wide (max.).

Tech-talk: Henry® NFPA 285 Assemblies

NFPA 285 Approved Assemblies by Third Party

Certification of NFPA 285 test results or extension by engineering analysis provided by listed manufacturer. Henry® did not participate in their testing or certification processes and therefore assumes no responsibility for their results. Contact the product specific manufacturer for more information.

Laminators Inc. - Omega-Lite® Dry Seal System

The assemblies below are the property of Laminators Inc. For additional information, clarification or installation questions please contact Laminators Inc. at 877-OMEGA77. You may also visit their website at www.laminatorsinc.com.

Henry® assembly	
Wall component	Materials
Base wall system	Steel Studs – 20-gauge (min.) 6 inch (min.) steel studs spaced 16 inches OC (max.) with lateral bracing every 4 feet vertically or as required by building code 1. 5/8 inch thick, Type X, gypsum wallboard on interior
Floor line fire-stopping	4 pcf. mineral wool in each stud cavity at floor lines – attached with Z-clips or equivalent. Safing thickness must match cavity depth
Stud cavity insulation <i>Use either 1 or 2</i>	1. None 2. Any noncombustible insulation (un-faced) per ASTM E136
Exterior sheathing	5/8 inch thick, Type X, exterior grade gypsum sheathing
Henry® air barrier installed onto exterior sheathing <i>Select from list</i>	1. Air-Bloc® 31MR (For ext. veneer option 1 or 2 only) 2. Air-Bloc® 33MR (For ext. veneer option 3 only)
Exterior insulation installed onto Henry® air barrier <i>Use either 1 or 2</i>	1. None 2. Mineral wool non-combustible insulation
Exterior veneer <i>Use either 1, 2 or 3</i>	1. Omega-Lite® 1 Piece, Tight-fit Molding System 2. Omega-Lite® Dry Seal System 3. Omega-Lite® Rout & Return System
Flashing of window, door and other exterior wall penetrations	Flash window, door and exterior penetrations in accordance with applicable code using asphalt, acrylic or butyl based flashing (Blueskin® SA, Blueskin® Butyl Flash or Air-Bloc® LF) – 12-inches wide (max.).

Tech-talk: Henry® NFPA 285 Assemblies

Rmax® ECOBASEci™

The assemblies below are the property of Rmax®. For additional information, clarification or installation questions please contact Hunter Panels at 888-746-1114. You may also visit their website at www.rmax.com.

Henry® assembly	
Wall component	Materials
Base wall system <i>Use either 1, 2, 3 or 4</i>	<ol style="list-style-type: none"> Concrete wall Concrete masonry unit (CMU) wall Steel Stud – 20-gauge (min.) 3-5/8" (min.) steel studs spaced 24" OC (max) with lateral bracing every 4 feet vertically or as required by building code. <ol style="list-style-type: none"> 5/8" (min.) type X Gypsum Wallboard Interior Where allowed in Types I, II, III, or IV construction, FRTW (fire retardant treated wood) studs complying with IBC Section 2303.2, min. nominal 2X4 dimension, spaced 24" OC (max.) <ol style="list-style-type: none"> 5/8" (min.) type X Gypsum Wallboard Interior Bracing as required by code
Floor line fire-stopping <i>Use either 1, 2 or 3</i> <i>Note- use 2 with Fire Retardant Treated Wood (FRTW) framing</i>	<ol style="list-style-type: none"> None (base wall systems 1 and 2 only) 4 pcf. mineral wool in each stud cavity at floor lines – attached with Z-clips or equivalent. Safing thickness must match cavity depth FRTW fire blocking at floor line in accordance with applicable code requirements
Stud cavity insulation <i>Use either 1, 2, 3 or 4</i>	<ol style="list-style-type: none"> None Noncombustible insulation (un-faced) per ASTM E136 Mineral fiber (board type Class A, faced or un-faced meeting ASTM E84) Fiberglass (batt type Class A, faced or un-faced meeting ASTM E84)
Exterior sheathing <i>Use either 1, 2, 3 or 4</i>	<ol style="list-style-type: none"> None (base wall systems 1 and 2) 1/2 inch thick (min.) exterior grade gypsum sheathing 5/8 inch thick, Type X, exterior grade gypsum sheathing 1/2 inch thick (min.) FRTW structural panels complying with IBC Section 2303.2 and installed in accordance with code allowances for Types I, II, III, or IV construction
Henry® air barrier installed onto exterior sheathing <i>Select from list</i>	<ol style="list-style-type: none"> Air-Bloc® 17MR Air-Bloc® 21FR Air-Bloc® 31MR Air-Bloc® 32MR Air-Bloc® 33MR Blueskin® SA Blueskin® VP160 Foilskin® Metal Clad™
Exterior insulation installed onto Henry® air barrier <i>May be installed with the FRT plywood on exterior side where ECOBASEci™ is installed over exterior sheathing.</i>	RMAX ECOBASEci™, 4-1/2 inch (max.) foam with 5/8 inch (min.) FRT plywood. Installed in accordance with applicable code requirements. Must be applied perpendicular to studs with joints staggered. Fasteners used for securing panels must penetrate through the foam plastic into FRTW studs or steel framing. Design the system to handle the cladding and wind load per the applicable code.
Exterior veneer <i>Use either 1, 2, 3, 4, 5, 6, 7, 8, 9, 10, 11 or 12</i>	<ol style="list-style-type: none"> Brick – Nominal 4 inch thick (min.), clay brick with a 2 inch (max.) air gap between insulation and brick, and standard veneer anchors installed 24 inches (max.) OC Stucco – Minimum 3/4-inch thick, exterior cement plaster and lath Stone – Minimum 2-inch thick Cast stone – Minimum 1-1/2 inch thick Terracotta cladding – 1-1/4 inch thick (min.) Fiber cement siding Metal Composite Material (MCM) – systems that have successfully passed NFPA 285 Aluminum Composite Material (ACM) – systems that have successfully passed NFPA 285 Uninsulated metal panels including steel, copper, or aluminum Stone Aluminum Honeycomb Composite Panels – Any system successfully tested by the panel manufacturer via the NFPA 285 test method Autoclaved-aerated concrete (AAC) panels – systems that have successfully passed NFPA 285 Thin set brick
Special conditions	Window headers must incorporate 20 ga. (min.) steel flashing to cover air gaps between the exterior sheathing or exterior insulation and the exterior veneer. Flash window, door and exterior penetrations in accordance with applicable code using asphalt, acrylic or butyl based flashing (Blueskin® SA, Blueskin® Butyl Flash or Air-Bloc® LF) – 12-inches wide (max.).

Tech-talk: Henry® NFPA 285 Assemblies

TAKTL®

The assemblies below are the property of TAKTL®. For additional information, clarification or installation questions please contact TAKTL® at 412-486-1600. You may also visit their website at www.taktl-llc.com.

Henry® assembly	
Wall component	Materials
Base wall system	Steel Stud – 16-gauge (min.) 3-5/8" (min.) steel studs spaced 24" OC (max.) with lateral bracing every 4 feet vertically or as required by building code a. 5/8" (min.) type X Gypsum Wallboard Interior
Floor line fire-stopping	4 pcf. mineral wool in each stud cavity at floor lines – attached with Z-clips or equivalent. Safing thickness must match cavity depth
Stud cavity insulation	None
Exterior sheathing	5/8 inch thick, Type X, exterior grade gypsum sheathing
Henry® air barrier installed onto exterior sheathing	Air-Bloc® 16MR
Exterior insulation installed onto Henry® air barrier	Roxul® Cavity Rock®, 2 inch (max.) mineral wool. Installed with 3 inch, solid based, insulation impaling pins 24 inches OC (max.) in accordance with applicable code requirements.
Exterior veneer	TAKTL® THK Panel – 5/8 inch (max.) thick with Rainscreen Solutions Extruded Aluminum brackets and sub-panels and Taktl Extruded Aluminum Panel clips and rails. Install veneer in accordance with TAKTL® NFPA 285 installation requirements.
Special conditions	Flash perimeter of window and door openings with 0.080 in. aluminum flashing.
Flashing of window, door and other exterior wall penetrations	Flash window, door and exterior penetrations in accordance with applicable code using asphalt, acrylic or butyl based flashing (Blueskin® SA, Blueskin® Butyl Flash or Air-Bloc® LF) – 12-inches wide (max.).



Building Envelope Systems®
Roofing | Air Barrier | Waterproofing

Ask us today about other Henry® solutions that help manage the flow of water, air, vapor and energy.

Henry® Living Building Challenge: Red List Status

This tech-talk bulletin certifies that the Henry Company building products listed below have been carefully reviewed and do not contain any chemicals that are objectionable to the Living Building Challenge. Henry Company regularly reviews and expands the list of Henry products that qualify for the Living Building Challenge. Contact your local Henry representative to verify compliance if the product is not listed below.

Henry Products that qualify for the Living Building Challenge Red Free List	
Air Barriers	
Fluid Applied Air Barriers	Air-Bloc® 06 Elastomeric Air & Vapor Barrier Membrane
	Air-Bloc 06WB Elastomeric Asphalt Emulsion Air and Vapor Barrier Membrane
	Air-Bloc 16MR Air and Vapor Barrier
	Air-Bloc 17MR Vapor Permeable Air Barrier
	Air-Bloc 21 Air and Vapor Barrier and Insulation Adhesive
	Air-Bloc 21FR Fire Resistive Air and Vapor Barrier and Insulation Adhesive
	Air-Bloc 31MR Fluid Applied Vapor Permeable Air Barrier
Self-Adhered Sheet Air Barriers	Air-Bloc All Weather STPE™ Fluid Applied Vapor Permeable Air Barrier
	Blueskin® SA LT Self-Adhered Water Resistive Air Barrier
	Blueskin SA Self-Adhered Water Resistive Air Barrier
	Blueskin VP100 Self-Adhered Water Resistive Air Barrier
	Blueskin VP160 Self-Adhered Water Resistive Air Barrier
Air Barrier Accessories	
Flashings	Metal Clad® Self-Adhered Water Resistive Air Barrier
	Air-Bloc LF® Liquid-Applied Flashing
	Blueskin WB Window and Door Flashing
	Blueskin WB25 Window and Door Flashing
Architectural Sealants	Blueskin Butyl Flash
	Blueskin TWF Self-Adhered Thru-Wall Flashing
	Henry 925 BES Sealant (all colors)
Sealants	Henry 212 All Purpose Sealant (10 oz. cartridge only)
	Polybitume® 570-05 Polymer Modified Sealing Compound
Bituminous Dampproofing	
Water-Based Emulsion	Henry 785 Asphalt Emulsion Dampproofing-Trowel Grade
	Henry 787 Elastomulsion™ Waterproofing
	Henry 788 Non-Fibered Asphalt Emulsion Dampproofing
	Henry 789 Fibered Asphalt Emulsion Dampproofing
Solvent-Based	Henry 793 Premium Foundation Coating – Trowel Grade
	Henry 794 Premium Foundation Coating – Brush Grade
	Henry 795 Foundation Coating – Spray Grade

Henry® Living Building Challenge: Red List Status

Mastics and Cements	
Mastics and Cements	Henry 204 Plastic Roof Cement
	Henry 208 Wet Patch® Roof Leak Repair
	Henry 208R Rubberized Wet Patch® Roof Leak Repair
	Henry 209XR Extreme Rubberized Wet Patch® Roof Leak Repair
Masonry Embedded Flashing	
Masonry Embedded Flashing	Blueskin TWF Self-Adhesive Thru-Wall Flashing Membrane
Primers and Adhesives	
Primers	Aquatac™ Primer Emulsion Primer for Self-Adhesive Membranes
	Henry 910-01 Penetrating Asphalt Primer
Adhesives	Blueskin Adhesive
	Blueskin LVC Adhesive
	Blueskin Spray Prep Adhesive
	Henry 930-18 Polymer Modified Adhesive
	Hi-Tac™ Adhesive for Self-Adhesive Membranes
Roofing	
Sheet Metal Roofing Specialties	Blueskin RF200 Ice & Water Barrier
	Blueskin RF200TM Self-Adhered Tile & Metal Underlayment
	Blueskin PE200HT High Temperature Roof Underlayment
Self-Adhered Modified Bituminous Membrane Roofing	DuraTac® SA Base Sheet
	DuraTac SA Cap Sheet
	Eaveguard® Self-Adhered Shingle Underlayment
Waterproofing	
Cold Fluid Applied Waterproofing	Aqua-Bloc® 2P 2-Part Internal Setting Liquid Membrane
	Aqua-Bloc 720-38 Elastomeric Asphalt Emulsion Waterproofing
	Aqua-Bloc SB Elastomeric Liquid Membrane
	Aqua-Bloc WB Elastomeric Asphalt Emulsion Waterproofing
	Henry CM100 Cold Fluid Applied High Building Roofing and Waterproofing
Hot Fluid Applied Rubberized Asphalt Waterproofing	Henry 790-11 Hot Applied Rubberized Asphalt
	Henry 790-11EV Environmental Grade Hot Applied Rubberized Asphalt (25% recycled)
Self-Adhered Sheet Waterproofing	Blueskin WP100 Self-Adhesive Waterproofing Membrane
	Blueskin WP200 Self-Adhesive Waterproofing Membrane
Waterproofing Accessories	
Base Sheets, Cap Sheets and Flashings	<i>modified</i> PLUS® G100s/s Base Sheet/Protection Sheet
	<i>modified</i> PLUS NP180p/p Base Sheet
	<i>modified</i> PLUS NP180s/s Base Sheet
	<i>modified</i> PLUS NP180gM4 Granulated Cap Sheet
	<i>modified</i> PLUS NP180gT4 Granulated Cap Sheet
	<i>modified</i> PLUS NP180gT4 FR Granulated Cap Sheet
	<i>modified</i> PLUS NP250gM4 FR Granulated Cap Sheet
	<i>modified</i> PLUS NP250gT4 FR Granulated Cap Sheet
	Henry 990-25 Elastomeric Flashing Sheet
Reinforcement Fabric	Henry Polyester Fabric

Henry® Living Building Challenge: Red List Status

Waterproofing Accessories (continued)	
Prefabricated Drainage Composites	Bakor® DB 2000
	Bakor® DB 6000
	Bakor® DB 6200
	Bakor® DB 9000
	Henry® DB 200
	Henry® DB 220
	Henry® DB 200-S
	Henry® DB 350
	Henry® DB 500
	Henry® DB 520
	Henry® DB 650
Henry® DB 650n	
Waterstops	
Waterstops	Hydro-Flex® Waterstop
	Synko-Flex® Waterstop

We appreciate your interest in Henry® products. For further information, please contact your local representative or refer to the product specific Safety Data Sheet (SDS) at www.henry.com.



Building Envelope Systems®
Roofing | Air Barrier | Waterproofing

Ask us today about other Henry® solutions that help manage the flow of water, air, vapor and energy.

Henry® Air Barrier Assemblies Meet ASTM E2357

To date, there are two industry-recognized methods of defining air permeance for air barriers.

Industry standard for determining air leakage	
Test type	Test Method
Individual product testing	ASTM E2178 - Standard Test Method for Air Permeance of Building Materials
Assembly testing	ASTM E2357 - Standard Test Method for Determining Air Leakage of Air Barrier Assemblies

ASTM E2357 simulates an installed air barrier assembly

ASTM E2357 measures the air leakage of an “opaque” (non-penetrated) wall, and compares it with the air leakage of a wall containing pipe penetrations, brick ties, electrical boxes, foundation transitions, lap seams and a rough window opening; recording positive and negative air pressure, wind gust loads and sustained gust loads. If the measured air leakage rate of the penetrated wall is greater than 10% of the opaque wall, the system fails.

Henry Company has a broad portfolio of assemblies meeting the definitive standard as shown below.

Henry assemblies that meet ASTM E2357			
Henry air barrier tested assembly	Air barrier assembly type	Assembly permeance	Status
Blueskin® SA Self-Adhered Water Resistive Air Barrier	Self-adhered	Non-permeable	Passed
Blueskin VP160 Self-Adhered Water Resistive Air Barrier	Self-adhered	Vapor permeable	Passed
Air-Bloc® 16MR Air and Vapor Barrier	Fluid applied	Non-permeable	Passed
Air-Bloc 17MR Vapor Permeable Air Barrier	Fluid applied	Vapor permeable	Passed
Air-Bloc 31MR Fluid Applied Vapor Permeable Air Barrier	Fluid applied	Vapor permeable	Passed
Air-Bloc 32MR Fluid Applied Air and Vapor Barrier	Fluid applied	Non-permeable	Passed
Air-Bloc 33MR UV-Resistant, Vapor Permeable Air Barrier	Fluid applied	Vapor permeable	Passed
Air-Bloc All Weather STPE™ Fluid Applied Vapor Permeable Air Barrier	Fluid applied	Vapor permeable	Passed

Henry, Blueskin and Air-Bloc are registered trademarks of Henry Company

Ask us today about other Henry® solutions that help manage the flow of water, air, vapor and energy.

Building Envelope Systems®
Roofing | Air Barrier | Waterproofing

Fastener Penetrations through Air Barrier Membranes

The need for mechanical fasteners to penetrate air barrier membranes is inevitable. In this Tech-Talk we will discuss best practices methods to address this need.

Fastener penetrations should be addressed as early in the design stage as possible as well as being noted in the construction documents. Prior to construction commencing, all contractors involved in the building envelope will need to acknowledge the treatment of these fastener penetrations. Henry® suggests this topic be covered in a Building Envelope pre-construction meeting to clearly identify responsibilities, means and methods. It is the responsibility of the installing contractor to properly install and accept fastener installation and associated components which will interface with the air barrier membrane in order to maintain continuity in the air barrier assembly.

Henry® defines the term “self-sealing” as a membrane that passes modified ASTM D1970 (section 7.9 Self Sealability of ASTM D1970) or modified ASTM E331/E547 as noted in AAMA 711 section 5.2 Water Penetration Resistance Around Nails. By virtue of the air barrier membrane’s elastomeric and/or adhesive qualities a seal may occur in two ways; around the shaft of the fastener upon penetrating the membrane and a gasketing effect created at the interface of the fastener head and the membrane. “Self-Sealing” is not to be confused with “self-healing”. Henry® makes no claims as to “self-healing”; the ability of the membrane to self-heal membrane damage or vacant fastener holes.

Screws should be self-tapping; the head must be larger in diameter than the shank. In addition, the point or self-drilling portion must be no larger in diameter than the shank. All fasteners should be driven perpendicularly to the substrate until flush with the air barrier membrane. The fastener head should be compressed firmly against the air barrier membrane to create a gasketing seal without damaging the membrane. Do not install fasteners through air barrier membranes over unsupported areas of the substrate, like sheathing joints. Overdriven fasteners, improperly installed fasteners, defective or broken fasteners or fasteners not properly fastened into the building structure beyond the air barrier membrane should be removed and the vacated hole sealed with a Henry® approved sealant prior to the installation of the cladding or veneer system.

If these requirements cannot be satisfactorily met, a supplemental application of a Henry® approved sealant should be applied to all fasteners penetrating air barrier membranes. It has been our experience that repairs of the air barrier membrane from the negative side are ineffective and therefore vacated holes should be sealed at the air barrier side of wall.

Masonry or concrete walls can create additional challenges to proper fastener sealing. In this case, Henry® recommends all fasteners and anchors penetrating through the air barrier membrane and into masonry or concrete walls are treated and sealed with a Henry® approved sealant. Where pre-drilling of the substrate is

Fastener Penetrations through Air Barrier Membranes

required, the resulting dirt dust and debris should be removed from the fastener hole and surrounding area to ensure best adhesion of the Henry® approved sealant. The Henry® approved sealant is typically installed to the area immediately adjacent to the fastener hole prior to installation of the fastener/anchor. The fastener/anchor is installed while the sealant is still wet.

Please refer to the appropriate Henry® Air Barrier Technical Data Sheet for more information on approved sealants and installation guidelines.



Building Envelope Systems®
Roofing | Air Barrier | Waterproofing

Ask us today about other Henry® solutions that help manage the flow of water, air, vapor and energy.

Product Certification

Air-Bloc All Weather STPE® Fluid-Applied Vapor Permeable Air Barrier

Air-Bloc All Weather STPE® is a low VOC, UV and fire-resistant fluid applied, single-component, moisture cure Silyl Terminated Polyether (STPE) elastomeric membrane designed to provide a vapor permeable, water resistive air barrier when applied to above-grade wall assemblies. Henry® - A Carlisle Company™ manufacturing facility implements full time quality control and is ISO certified. Each batch of Air-Bloc All Weather STPE® is tested to confirm compliance with the physical properties as stated on the Henry® technical data sheet.

Air-Bloc All Weather STPE® meets the following standards:

- AATCC 127 TM127 - Water Resistance
- ASTM E2357 - Assembly Air Leakage
- ASTM E84 Class A - Flame Spread Index and Smoke Development
- NFPA 285 (see Henry NFPA 285 Air Barrier Assemblies Tech-Talk Bulletin)

Air-Bloc All Weather STPE is compatible and suitable for application onto the following substrates: exterior-grade gypsum sheathing, plywood, oriented strand board “OSB”, concrete masonry unit “CMU”, precast and cast-in-place concrete, primed steel, aluminum mill finish, anodized aluminum, and galvanized metal.

Air-Bloc All Weather STPE is compatible with the following commonly used Henry accessory products, subject to the product position and maximum service temperature as indicated:

Accessory Product	Accessory Product Position	Maximum Service Temp
Blueskin SA, Blueskin TWF (includes LT)	Over primed substrate**, under All-Weather STPE	158°F (70°C)*
Blueskin Butyl Flash, Blueskin VP160	Over All-Weather STPE prepped with Aquatac Primer	160°F (71°C)
Blueskin Butyl Flash, Blueskin VP160, Blueskin Metal Clad (including LT)	Over primed substrate**, under All-Weather STPE	180°F (82°C)*
Air-Bloc LF	Over substrate under All-Weather STPE OR Over All-Weather STPE	200°F (93°C)*
925 BES Sealant	Over substrate under All-Weather STPE OR Over All-Weather STPE	180°F (82°C)*

Basis: AAMA 713, 2 weeks at test temperature.

*Limited by published upper service temp of accessory item

**Prepare substrate accepting self-adhered flashing with Henry adhesive/primer as indicated in respective Product Data Sheet

Air-Bloc All Weather STPE does not contain lead, PBDE or PCBs. The maximum VOC content of Air-Bloc All Weather STPE is 25 g/L.

Air-Bloc All Weather STPE Burn Properties at 20 mils dry film thickness: Peak heat release rate of less than 150 kW/m², a total heat release of less than 20MJ/ m² and an effective heat of combustion of less than 18MJ/kg. Horizontal orientation 50 kW/m² heat flux, ASTM E 1354. Flame spread index of 25 or less and a smoke-developed index of less than 450. Full-coverage coating on cement board with coating facing the fire, ASTM E84 (see technical data sheet for reported test results).

Refer to the product technical data sheet for further information or contact Henry.

LEED Certification

Henry® Air-Bloc® All Weather STPE™ Fluid Applied Vapor Permeable Air Barrier

Air-Bloc All Weather STPE is a low VOC, UV and fire-resistant fluid applied, single-component, moisture cure Silyl Terminated Polyether (STPE) elastomeric membrane designed to provide a vapor permeable, water resistive air barrier when applied to above-grade wall assemblies.

Air-Bloc All Weather STPE has the following typical physical characteristics:

MR - CREDIT 4.x – RECYCLED CONTENT
RECYCLED CONTENT (POST-CONSUMER): 0%
RECYCLED CONTENT (POST-INDUSTRIAL): 0%

MR - CREDIT 5.x– REGIONAL MATERIALS
EXTRACTION SITE:

Raw materials are sourced to Henry from various North American sources and extraction site of raw materials may vary without notice. As a result, the extraction site of materials used to manufacture this product is undetermined.

MANUFACTURING SITE:

Scarborough, Ontario, Canada, M1E3X6

VOC CONTENT:

25 g/L

Refer to the product specific technical data sheet available at www.henry.com for further information or contact Henry Technical Support at 800-486-1278.