

Henry® Blueskin PreSeal™ 435

Pre-applied Waterproofing

Submittal Packet



Table of Contents

Henry® Blueskin® PreSeal™ 320

Technical Data Sheets

Membrane

Henry Blueskin PreSeal 435	3
----------------------------------	---

Sealant Options

Henry 925 BES Sealant	5
-----------------------------	---

Accessories

Henry Blueskin PreSeal Tape 120V	7
--	---

Henry Blueskin PreSeal Tape 50S	9
---------------------------------------	---

Additional System Components

* Synko-Flex® Waterstop	11
-------------------------------	----

* Synko-Flex Waterstop FR	13
---------------------------------	----

* Carlisle MiraSTOP™ BW	16
-------------------------------	----

* Carlisle MiraSTOP NBW	18
-------------------------------	----

* Carlisle MiraSTOP IW	20
------------------------------	----

** Henry Drain Board	22
----------------------------	----

Safety Data Sheets

Henry Blueskin PreSeal 435	24
----------------------------------	----

Architectural Details

Henry Blueskin PreSeal 435	31
----------------------------------	----

Sample Warranty

Henry Blueskin PreSeal 435 5 Year Material Warranty	94
---	----

Product Certification

Henry Blueskin PreSeal 435 Product Certification	96
--	----

LEED Declarations

Henry Blueskin PreSeal 435 LEED Information	97
---	----

* Required for Henry Blueskin PreSeal System Warranty

** Optional



TECHNICAL DATA SHEET
Blueskin PreSeal™ 435

Pre-Applied Waterproofing Membrane

Physical property	Typical value	Test method
Color	White	-
Thickness, nominal	43.5 mils (1.1mm)	ASTM D3767
Resistance to Hydrostatic Head	231 ft. (70.4m)	ASTM D5385
Lateral Migration Resistance	231 ft. (70.4m)	ASTM D5385 Modified
Water Absorption	0.4%	ASTM D570
Elongation	800% @ 43.5 mils	ASTM D412 Modified
Tensile strength	2400 psi (16.5 MPa)	ASTM D412 Modified
Lap Peel Adhesion	6.9lbs/in (1200N/m)	ASTM D1876
Puncture Resistance	225 lbs (1000 N)	ASTM E154/E154M
Peel Adhesion to Concrete	5 lbs/in (875 N/m)	ASTM D903
Low Temperature Flexibility	Unaffected at -20 °F (-29 °C)	ASTM D1970
Water Vapor Permeance	<0.01 Perms	ASTM E96, Method B

Description

Henry® Blueskin PreSeal™ 435 is a pre-applied, fully and permanently bonded composite sheet membrane system for waterproof construction. The membrane contains an adhesive and provides for mechanical attachment into wet concrete to form a permanent barrier seal. **Blueskin PreSeal 435** consists of a polypropylene (PP) membrane laminated to a chemically enhanced non-woven geotextile fleece with a dimpled surface. **Blueskin PreSeal 435** is pre-applied prior to rebar installation and concrete placement.

Features and benefits

- Dual mechanical and chemical bonds for improve adhesion
- Fully adheres to substrates eliminating water migration
- Composite bond reduces sequencing delays required for chemically bonded systems
- Easy installation with self-adhering laps and splices (no tools or torches required)
- Wider roll width results in fewer seams, reducing risk of water ingress
- Better cold weather flexibility than polyethylene-based membranes.
- Barrier to water-vapor and radon gas permeation
- High chemical resistance
- Living Building Challenge Declare “Red List Free” status support sustainable building

Usage

Designed for waterproofing of below ground structural concrete surfaces under continuous or intermittent hydrostatic pressure, **Blueskin PreSeal 435** provides protection of concrete from water and chemicals, and protection against gas permeation (e.g. radon). **Blueskin PreSeal 435** can be used in underslab applications and is immediately ready for placement of reinforcing steel. **Blueskin PreSeal 435** can be applied to permanent formwork including but not limited to lagging, sheet piling or caissons.

Application

Substrate Preparation: On all surfaces to receive **Blueskin PreSeal 435**, it is essential to create a sound and solid substrate to eliminate movement during the concrete pour. Substrates must be regular and smooth with no gaps or voids greater than 0.5 in. (12 mm). Grout around all penetrations such as utility conduits, etc. for stability. The substrate must be dry and clean of oil, dust, frost, bulk water and other contaminants that would limit adhesion of membrane. Substrates can be improved with concrete, plywood, insulation, or other approved materials to provide support to the membrane. Board systems such as timber lagging must be close butted to provide support and not more than 0.5 in. (12 mm) out of alignment. **Henry Drain Board** drainage sheet can be used to bridge voids, and gaps up to 2 in. (50mm) prior to **Blueskin PreSeal 435** membrane installation.

Blueskin® PreSeal 435 Pre-Applied Waterproofing Membrane

Apply: Blueskin PreSeal 435 rolls are supplied in 3.3 ft. (1.0m) and 6.6ft. (2m) wide with a selvedge on each side to provide self-adhered laps. Blueskin PreSeal 435 must be installed with the smooth polypropylene side facing the potential water source and the dimpled surface facing the concrete pour side or facing the installer.

Horizontal Applications

Blueskin PreSeal 435 membrane selvedge and tapes are manufactured with removable plastic release liners which must be removed prior to reinforcement and concrete placement. End laps should be staggered to avoid buildup of layers. Position succeeding sheets 2 in.(50mm) along the marked selvedge. Ensure that the underside of the succeeding sheet is clean, dry and free from contamination before overlap. Peel back the plastic release liner from between the overlaps allowing the two overlapped layers to adhere. Once completed, roll firmly with a heavy roller to ensure full bonding of the layers.

Vertical Applications

Blueskin PreSeal 435 can be applied vertically to permanent formwork or adjoining structures. After reinforcement placement, concrete should be cast directly against the dimpled surface geotextile side. The membrane must be shingle overlapped a minimum of 2 in.(50mm). All laps over cut edges must use Blueskin PreSeal Tape 120V. Vertically placed sheets can be attached to formwork with fasteners or using Blueskin PreSeal Tape 50S. Fasteners should be placed in the selvedge approximately 0.5 in. (12.5mm) from the edge of the membrane. When placing successive sheets, ensure that the underside of each succeeding sheet is clean, dry and free of contamination before attempting to overlap.

Refer to Blueskin PreSeal Installation Guidelines for detailed application information.

Limitations: Blueskin PreSeal 435 is designed for maximum exposure of up to 120 days and is expected to be covered with concrete before that time. The membrane should be covered as soon as practical after application in order to minimize potential damage from other construction. For best results, Blueskin PreSeal 435 should be installed in dry conditions. This system must not be used to cover expansion joints. Always protect the waterproofing membrane from possible damage. If membrane becomes damaged, contact the waterproofing installer or Henry before proceeding with concrete placement.

Blueskin PreSeal 435 is easy to clean and can be pressure washed to remove mud. A light broom or leaf blower can be used to remove nuisance debris.

Product size/packaging

Blueskin® PreSeal 435

3.3 ft. x 65.6 ft.(1.0 m x 20 m), approximately 40 lbs. (18.2kg) per roll

6.6 ft. x 65.6 ft. (2.0 m x 20 m), approximately 80 lbs. (36.4kg) per roll

Storage

If stored in original packaging and protected from the elements at temperature between 41 °F (5 °C) and 90 °F (32 °C), the shelf-life is at least 24 months from date of production. Keep in dry conditions, horizontally or vertically and do not stack pallets on top of each other.

For more information, visit www.henry.com or for technical assistance call us at 800-486-1278. For more information on the Henry® product warranty and liability disclaimer please visit www.henry.com/warranty. Refer to the Safety Data Sheet prior to using this product. The Safety Data Sheet is available at www.henry.com or by emailing Henry® Product Support at productsupport@henry.com or by calling 800-486-1278.

Henry and Blueskin are registered trademarks of Henry Company. PreSeal or Blueskin PreSeal are trademarks of Henry Company. Max Frank is a registered trademark of Max Frank GmbH & Co.

The technical and application information herein is based on the present state of our best scientific and practical knowledge. As the information herein is of a general nature, no assumption can be made as to a product's suitability for a particular use or application and no warranty as to its accuracy, reliability or completeness either expressed or implied is given other than those required by law. The user is responsible for checking the suitability of products for their intended use. Henry® Company data sheets are updated on a regular basis; it is the user's responsibility to obtain and to confirm the most recent version. Information contained in this data sheet may change without notice.

In partnership with



Henry® Company, 999 N. Pacific Coast Highway, Ste. 800, El Segundo, CA 90245

Tel: 800-486-1278 Email: techservices@henry.com

www.henry.com

Revision Date: 05/13/2021



Henry® 925 BES Sealant

Building Envelope Systems® Sealant

Physical Property	Typical Value	Test Method
Color	Black, Gray, White	-
Application Temperature (see Limitations)	10 °F to 110 °F (0 °C to 43 °C)	-
Service Temperature, cured	-40 °F to 180 °F (-40 °C to 82 °C)	-
Durometer Hardness	25 ±5 Shore A	ASTM D2240
Density	13 lbs/gal	-
Elongation, max	450-550%	ASTM D412
Dry Time	Initial Set: 60-90 min at 77 °F (25 °C) Set Through: 24 hours	-
Tensile Strength	150-200 psi	ASTM D412
Modulus	40-50% psi	-
VOC Content, max	5 g/L	EPA Method 24

Approvals and Certifications

- Meets ASTM C719 ± 35%
- Meets Fed Spec TT-S-00230C, Type II, Class A
- Meets ASTM C920 Type S, Grade NS, Class 35
- Granted SWR Institute Certificate of Validation

Description

Henry® 925 BES Sealant is a premium, moisture cure sealant for construction joints subject to dynamic joint movement. This one-part, low odor, moisture cure product provides excellent weathering resistance, flexibility, very low VOC, through use of a silyl-terminated polyether (STPE) polymer. Upon curing, it is paintable with latex based paints. This product is fully compatible with Henry® air barrier, flashing, roofing and waterproofing systems.

Usage

- Building envelope sealant for self-adhered air barriers
- External joint sealant for Henry® air barrier, waterproofing and roofing systems
- Alternative to silicone and moisture cure urethanes in above-grade construction applications
- Construction joints up to 1" (25 mm) width, subject to dynamic joint movement of ± 35%

Application

Surface Prep: Joints must be sound, smooth, uniform and free from defects and foreign materials. Joints must also be clean, dry, free of frost and all contaminants, such as curing compounds, sealers, or coatings. Sealant adhesion should be tested on each different substrate prior to use by applying a bead allowing to cure thoroughly. To test adhesive strength, pull one end of the bead.

Apply: Cut nozzle to desired bead size; puncture inner seal. Apply at a 45° angle while pushing sealant ahead of nozzle. The width of the joint should be a minimum of 4 times the anticipated movement. In joints up to ½" (13 mm) wide, the depth of the sealant should be equal to the width, but not less than ¼" (6 mm). In joints wider than ½" (13 mm), the depth should be maintained at ½" (13 mm). Maximum joint width for installation is 1" (25 mm). In vertical and horizontal joints, tooling is necessary to aid contact with the substrate and eliminate air bubbles.

Limitations: **Henry 925 BES Sealant** may be installed when substrate and air temperatures are as low as 10 °F. Application in temperatures between 10°F and 32°F may proceed only if the substrate is free of frost or ice. The product should not be applied in the rain or on wet surfaces; damp surfaces are acceptable.

If frost or ice is present on the substrate, it must be warmed to a temperature above 32 °F using hot air gun, heater, etc. to melt the frozen moisture. When installed in temperatures below 32 °F, an extended curing time is expected.

Prior to cold weather installation, **Henry 925 BES Sealant** should be stored at room temperatures above 35 °F for a minimum of 24 hours, to improve application and tooling.

925 BES Sealant Building Envelope System Sealant

Clean-up

Clean hands and equipment with biodegradable terpene solvent such as citrus-based hand cleaner.

Packaging

10.3 oz cartridge
20 oz sausage
2 gallon bucket

Storage

Henry 925 BES Sealant has a shelf life of 12 months from date of manufacture when stored in original unopened container at or below 80 °F (27 °C). Containers should always be kept sealed when not in use.

For more information, visit www.henry.com or for technical assistance call us at 800-486-1278. For more information on Henry's® product warranty and liability disclaimer please visit www.henry.com/warranty. Refer to the Safety Data Sheet prior to using this product. The Safety Data Sheet is available at www.henry.com or by emailing Henry® Product Support at productsupport@henry.com or by calling 800-486-1278.

® Henry and Building Envelope Systems are registered trademarks of Henry Company

The technical and application information herein is based on the present state of our best scientific and practical knowledge. As the information herein is of a general nature, no assumption can be made as to a product's suitability for a particular use or application and no warranty as to its accuracy, reliability or completeness either expressed or implied is given other than those required by law. The user is responsible for checking the suitability of products for their intended use. Henry® Company data sheets are updated on a regular basis; it is the user's responsibility to obtain and to confirm the most recent version. Information contained in this data sheet may change without notice.



TECHNICAL DATA SHEET
Blueskin PreSeal™ Tape 120V
Reinforced Acrylic Detailing Tape

Physical property	Typical value	Test method
Color	White with non-woven facer	-
Minimum Application Temperature	20°F (-7°C)	-
Service Temperature	-22 °F (-30 °C) to 110 °F (37 °C)	-

Description

Henry® Blueskin PreSeal™ Tape 120V is a non-woven/fleece tape with waterproof acrylic adhesive for detailing and seaming the Blueskin 320 and Henry Blueskin PreSeal 435 pre-applied waterproofing membranes.

Features and benefits

- Fiberglass reinforced
- Ultra-tack acrylic adhesive
- Fully adheres detail areas to prevent water ingress

Usage

Designed for commercial construction applications, **Blueskin PreSeal Tape 120V** may be applied on both horizontal and vertical waterproofing applications and is also used in detailing the **Blueskin PreSeal 320** and **Blueskin PreSeal 435 pre-applied waterproofing membrane** in corners, edges, penetrations, etc. The non-woven side should be applied facing the concrete pour.

Application

Surface Preparation: Clean substrates to receive **Blueskin PreSeal Tape 120V** and remove any dirt, dust or moisture. Clean the surface of penetrations or protrusions with a wire brush to remove dirt, dust, rust and loose particles.

Unroll the tape, remove the release liner, and adhere the exposed pressure sensitive adhesive surface to the membrane or penetration. The reinforced surface of the tape should face toward the concrete to be cast onto the tape. The use of rollers is required to maximize adhesion.

Refer to Blueskin PreSeal Pre-Applied Waterproofing System Installation Manual for detailed application information.

Limitations: **Blueskin PreSeal Tape 120V** is designed for a maximum exposure of up to 120 days, but is not designed for permanent exposure to ultra-violet light and should be covered as soon as practical after application.

Product size/packaging

Roll Size 4.75 in. x 98 ft. (120 mm x 30 m)
8 Rolls/Box

Storage

Shelf Life: One year from date of manufacture.

The **Blueskin PreSeal Tape 120V** should be stored dry and protected from sunlight, at 41 °F (5 °C) to 77 °F (25 °C).

For more information, visit www.henry.com or for technical assistance call us at 800-486-1278. For more information on the Henry® product warranty and liability disclaimer please visit www.henry.com/warranty. Refer to the Safety Data Sheet prior to using this product. The Safety Data Sheet is available at www.henry.com or by emailing Henry® Product Support at productsupport@henry.com or by calling 800-486-1278.

Henry and Blueskin are registered trademarks of Henry Company. PreSeal or Blueskin PreSeal are trademarks of Henry Company. Max Frank is a registered trademark of Max Frank GmbH & Co.

Blueskin® PreSeal Tape 120V

The technical and application information herein is based on the present state of our best scientific and practical knowledge. As the information herein is of a general nature, no assumption can be made as to a product's suitability for a particular use or application and no warranty as to its accuracy, reliability or completeness either expressed or implied is given other than those required by law. The user is responsible for checking the suitability of products for their intended use. Henry® Company data sheets are updated on a regular basis; it is the user's responsibility to obtain and to confirm the most recent version. Information contained in this data sheet may change without notice.

In partnership with





TECHNICAL DATA SHEET

Blueskin PreSeal™ Tape 50S

Acrylic Lap & Fastening Tape

Physical property	Typical value	Test method
Color	Blue Acrylic adhesive	-
Minimum Application Temperature	20°F (-7°C)	-
Service Temperature	-22 °F (-30 °C) to 110 °F (37 °C)	

Description

Henry® Blueskin PreSeal™ Tape 50S is a double-sided, ready-to-use acrylic adhesive tape for fastening **Henry Blueskin PreSeal 320** and **Henry Blueskin PreSeal 435** pre-applied waterproofing membranes to vertical surfaces, in addition to the overlaps of the **Blueskin® PreSeal 320** and **Blueskin PreSeal 435** membranes.

Features and benefits

- ✓ Ultra-tack acrylic adhesive
- ✓ Permanently water-resistant
- ✓ Applied on steel and composite formwork or substrates to attach **Blueskin® PreSeal** against vertical substrates:
 - Shoring
 - Drainage Composites
 - Insulation

Usage

Designed for commercial construction applications, **Blueskin PreSeal Tape 50S** is used as a detailing accessory for **Blueskin PreSeal 320** and **Blueskin PreSeal 435** pre-applied waterproofing membranes. The **Blueskin PreSeal Tape 50S** is used for attaching the **Henry DB** drainage composite or insulation boards to Henry waterproofing membranes.

Application

Surface Preparation: All surfaces to receive **Blueskin PreSeal Tape 50S** must be dry and clean of oil, dust, frost, bulk water and other contaminants that would limit adhesion. **Blueskin PreSeal Tape 50S** must be rolled firmly into place prior to removing the release liner. Ensure the release liner is then removed prior to adhering the next piece of membrane to the **Blueskin PreSeal Tape 50S** which then must be rolled into place over the **Blueskin® PreSeal Tape 50S** detail tape. Refer to the Blueskin PreSeal Pre-Applied Waterproofing System Installation Manual and applicable system detail drawings at www.henry.com.

Henry DB drainage composite - Where **Henry® DB** drainage composites are placed horizontally from rolls onto a wall, a continuous strip of **Blueskin PreSeal Tape 50S** near the top and another strip near the bottom is recommended. If the drainage composite is cut and applied vertically in 6 to 8 ft (1.8 to 2.4 m) lengths, a strip is recommended near the top, another near the middle and a third near the bottom.

On decks, a strip of tape is recommended at approximately 10 ft (3 m) intervals, or more frequently in the event of high wind. Unroll the tape and adhere to the waterproofing membrane. Leave the release sheet on the tape until just before applying the drainage composite. The tape and release liner may be cut with a utility knife. Peel the release liner and apply the drainage composite. Press the composite firmly to ensure good contact. For deck applications, the tape may be applied to the back of the drainage composite rather than to the waterproofing membrane, if it is more convenient.

Refer to Blueskin PreSeal Pre-Applied Waterproofing System Installation Manual for detailed application information.

Limitations: **Blueskin PreSeal Tape 50S** is designed for exposure of up to 120 days but is not designed for permanent exposure to ultra-violet light and should be covered as soon as practical after application.

Product size/packaging

Roll Size 2 in. x 164 ft. (50mm x 50m)

Blueskin® PreSeal Tape 50S

12 Rolls/Box

Storage

Shelf Life: One year from date of manufacture.

The **Blueskin PreSeal Tape 50S** should be stored dry and protected from sunlight, at 41 °F (5 °C) to 77 °F (25 °C).

For more information, visit www.henry.com or for technical assistance call us at 800-486-1278. For more information on the Henry® product warranty and liability disclaimer please visit www.henry.com/warranty. Refer to the Safety Data Sheet prior to using this product. The Safety Data Sheet is available at www.henry.com or by emailing Henry® Product Support at productsupport@henry.com or by calling 800-486-1278.

Henry and Blueskin are registered trademarks of Henry Company. PreSeal or Blueskin PreSeal are trademarks of Henry Company. Max Frank is a registered trademark of Max Frank GmbH & Co.

The technical and application information herein is based on the present state of our best scientific and practical knowledge. As the information herein is of a general nature, no assumption can be made as to a product's suitability for a particular use or application and no warranty as to its accuracy, reliability or completeness either expressed or implied is given other than those required by law. The user is responsible for checking the suitability of products for their intended use. Henry® Company data sheets are updated on a regular basis; it is the user's responsibility to obtain and to confirm the most recent version. Information contained in this data sheet may change without notice.

In partnership with



Physical Property	Typical Value	Test Method
Appearance	Black strips	-
Ductility	5.0 min.	ASTM D113
Flash Point	600°F min.	ASTM D92
Flow Resistance	No Flow	Fed. Spec SSS-210 (in vertical position 5 days at 135°F)
Hydrocarbon Content	50% to 70%	ASTM D4
Penetration	50 to 120	ASTM D217
Resistance to Hydrostatic Head	68 feet of water (on non-moving joints)	
Softening Point	320°F	ASTM D36
Specific Gravity	1.20 to 1.35	ASTM D71
Volatile Matter	2.0% max.	ASTM D6

Approvals and Certifications

- Meets Federal Specification SSS-210
- Certified NSF/ANSI Standard 61 for use in potable water systems

Description

Henry® Synko-Flex® Waterstop is a specially formulated non-swelling preformed joint sealant that provides a lasting, watertight bond to both fresh and cured concrete surfaces. It is a single component, self-sealing adhesive compound, extruded in a square cross-section between two quick-release protective wrappers. It bonds to cured concrete surfaces and fuses with fresh concrete during the hydration and curing process to achieve a watertight seal within cold joints at footings, walls and slabs on a wide variety of concrete structures. It does not rely on swelling to achieve its watertight seal, and therefore, it is unaffected by rain or wet conditions which may occur prior to joint completion.

Features

- Easy to install
- Eliminates split forming, wiring to rebar, heat welding of splices
- Unaffected by rain or wet conditions during installation
- Excellent chemical resistance
- Bonds to most all substrates
- Unaffected by cyclic wetting and drying
- Never a risk of fracturing concrete like swelling type waterstops
- Safe for use in potable water structures

Product Size

Length/strip.....3 ft.
 Cross section (as extruded).....1 in. x 1 in.
 Cross section (as installed)..... 5/8 in. x 1-1/2 in.

Packaging
 Number of strips per carton.....35

Usage

Synko-Flex® is designed to provide a watertight seal of cold joints in a wide range of concrete structures including: residential and commercial basements, secondary containment structures, highway tunnels, concrete lined storm drainage and irrigation channels, pedestrian tunnels and below-grade walkways, swimming pools and water features, below-grade parking garages, waste-water treatment plants, fish hatcheries and aquariums, potable water reservoirs, and water theme parks. **Synko-Flex®** may also be used to seal around concrete, steel, PVC, or HDPE pipe penetrations through concrete walls or floor slabs. **Synko-Flex®** is also ideal for use as a joint sealant on precast structures such as box culverts, septic tanks and utility vaults.

Surface Preparation

Joint surfaces should be clean and dry before priming and just prior to placing the **Synko-Flex®** strips. Concrete should cure a minimum of 24 hours prior to priming. Ensure that concrete surfaces are free from form oils, release agents, curing compounds, laitance and other dirt or debris. Use a wire brush or stiff bristle brush to clean surface prior to priming.

Application

Positioning: **Synko-Flex®** is generally positioned in the center of the joint. It may be placed at the bottom of a keyway, if a keyway is incorporated into the joint design. However, a keyway is not required for the use of this product. Two inches of concrete coverage is recommended.

Standard Method: Apply primer to the cured surface and allow to dry. Drying time generally takes 2 to 3 hours. Drying time will take longer in low temperatures and in humid environments.

Peel the protective release paper from one side of the **Synko-Flex®** strip. Place the strip onto the primed surface pressing firmly along the entire length of the strip. The strip should be depressed to approximately 5/8 inch in thickness forcing it to widen to approximately 1-1/2 inches. Splice strips together with a 1-inch overlap or side lap. Remove the remaining release film. Fresh concrete may then be poured directly against the **Synko-Flex®**. The waterstop sealing system is complete when the fresh concrete cures.

In cold weather, both the **Synko-Flex®** strips and the concrete surface should be warmed just prior to application.

Alternate Application Method: **Synko-Flex®** may also be installed directly in the fresh concrete.

Horizontal Applications: Peel the protective release paper from one side of the **Synko-Flex®** strip. While concrete is still wet, carefully press the **Synko-Flex®** strips into the fresh concrete, leaving approximately 1/2 inch exposed above the concrete surface. When concrete cures, remove remaining release film, and continue with pour.

Vertical Applications: Peel off release paper from one side of the strip, leaving the polyethylene release film on the formwork side of the **Synko-Flex®** to prevent the **Synko-Flex®** from adhering to the formwork and to keep the **Synko-Flex®** clean once the forms are removed. The **Synko-Flex®** is then nailed to the inside of the concrete form using small finishing nails. Chamfer strips (1/2") should be positioned on each side of the **Synko-Flex®** strip. Finishing nails will pull through the **Synko-Flex®** strips when end form is removed.

Limitations: **Synko-Flex®** is designed for use in non-moving or reinforced joints. Contact manufacturer regarding applications where limited movement could be expected.

For more information, visit www.henry.com or for technical assistance call us at 800-486-1278. For more information on Henry's® product warranty and liability disclaimer please visit www.henry.com/warranty. Refer to the Safety Data Sheet prior to using this product. The Safety Data Sheet is available at www.henry.com or by emailing Henry® Product Support at productsupport@henry.com or by calling 800-486-1278.

Henry and Synko-Flex are registered trademarks of Henry Company

The technical and application information herein is based on the present state of our best scientific and practical knowledge. As the information herein is of a general nature, no assumption can be made as to a product's suitability for a particular use or application and no warranty as to its accuracy, reliability or completeness either expressed or implied is given other than those required by law. The user is responsible for checking the suitability of products for their intended use. Henry® Company data sheets are updated on a regular basis; it is the user's responsibility to obtain and to confirm the most recent version. Information contained in this data sheet may change without notice.

Physical Properties

Appearance Blue strips (coiled)	Flash Point Exceeds 350°F (ASTM D-92)	Solids By Weight 99.9%
Cone Pen Viscosity 205-115 (ASTM D92)	Flow @ 140° F No flow, slump or loss of adhesion	Specific Gravity @ 77° F (25°C) 1.6 (ASTM D-271)
Elongation (Initial) 216%		

Description

SF312 - SYNKO-FLEX® WATERSTOP FR is a preformed adhesive waterstop designed to control the ingress and egress of hydrocarbons and containing liquids at the control joints between concrete to concrete and concrete and dissimilar products. This product is an N.B.R. compound with polypropylene resins and other solvent resistant elastomers and plasticizers.

Features:

- Excellent chemical resistance (see Chemical Resistance Table).
- Easy to use.
- Eliminates split forming, wiring to rebar, heat welding of splices.
- Unaffected by rain or wet conditions during installation.
- Bonds to most all substrates.
- Unaffected by cyclic wetting and drying.

Chemical Resistance Table

Immersion Testing

SF312 - SYNKO-FLEX® WATERSTOP FR will have the following typical results when exposed to the following medias when submerged:

Material	Solution Concentration	Results
Gasoline	100%	Slight Swell
Jet A Fuel	100%	Slight Swell
JP-4 Fuel	100%	Slight Swell
Kerosene	100%	Slight Swell
Motor Oil	100%	No Effect
Transmission Fluid	100%	Slight Swell
Brake Fluid	100%	Very Slight Swell
Diesel	100%	No Degradation

Usage

SF312 - SYNKO-FLEX® WATERSTOP FR is designed to provide a watertight seal of cold joints in a wide range of concrete structures where there is good potential for exposure to hydrocarbon liquids, including; residential and commercial basements, secondary containment structures, highway tunnels, concrete lined storm drainage and irrigation channels, pedestrian tunnels and below-grade walkways, below-grade parking garages, and wastewater treatment plants. SF312 - SYNKO-FLEX® WATERSTOP FR may also be used to seal around concrete, steel, PVC or HDPE pipe penetrations through concrete walls or floor slabs. SF312 - SYNKO-FLEX® WATERSTOP FR is also ideal for use as a joint sealant on precast structures such as box culverts, septic tanks and utility vaults.

Coverage

Coverage 100 ft.

Packaging -

No. coils/ carton 6 strips

Lineal ft./ carton100 ft.

Application

Positioning

SF312 - SYNKO-FLEX® WATERSTOP FR is generally positioned in the center of the joint. It may be placed at the bottom of a keyway, if a keyway is incorporated into the joint design. However, a keyway is not required for the use of SF312 - SYNKO-FLEX® WATERSTOP FR. Two inches of concrete coverage is recommended.

Leaving the silicone release paper in place, begin uncoiling SF312 - SYNKO-FLEX® WATERSTOP FR while pressing the strip firmly onto the concrete surface throughout the entire length of the strip. Tightly butt ends together at splices. Alternatively, ends may be spliced together with a 1-inch side lap if space permits. (Remember 2 inches of concrete coverage is required). Remove the release paper and pour concrete directly against the SF312 - SYNKO-FLEX® WATERSTOP FR. The waterstop sealing system is complete when the fresh concrete cures.

Limitations:

SF312 - SYNKO-FLEX® WATERSTOP FR is designed for use in non-moving joints. Contact manufacturer regarding specific applications where joint movement may be expected.

Caution

CAUTION: May cause eye irritation.

WARNING: This product contains detectable amounts of chemicals known to the State of California to cause cancer, or birth defects or other reproductive harm.

EMPLOYERS should obtain a copy of the Material Safety Data Sheet (MSDS) from your supplier or directly from Henry at the toll free number or website below.

Product Sizes

NON SIZE ITEM (0.75 lb)

6 (.5inx1.125inx16.67ft) COILS (32

Limited Warranty

LIMITED PRODUCT WARRANTY AND LIABILITY DISCLAIMER

We, the manufacturer, warrant only that this product is free of defects, since many factors which affect the results obtained from this product- such as weather, workmanship, equipment utilized and prior condition of the substrate - are all beyond our control. We will replace at no charge any product proved to have a material defect within 12-months of purchase, provided it has been applied in accordance with our written directions for uses we recommend as suitable for this product. Proof of purchase must be provided. **DISCLAIMER OF WARRANTIES AND LIMITATION OF LIABILITY: THIS LIMITED WARRANTY IS IN LIEU OF ANY OTHER WARRANTIES EXPRESS OR IMPLIED INCLUDING BUT NOT LIMITED TO ANY IMPLIED WARRANTY OF MERCHANTABILITY OR FITNESS FOR A PARTICULAR PURPOSE. MANUFACTURER SHALL HAVE NO LIABILITY OF ANY KIND BEYOND PRODUCT REPLACEMENT, INCLUDING FOR CONSEQUENTIAL OR INCIDENTAL DAMAGES RESULTING FROM ANY DEFECTS OR ANY DELAYS CAUSED BY REPLACEMENT OR OTHERWISE. IF PURCHASER DOES NOT ACCEPT THESE TERMS OF HENRY'S LIMITED WARRANTY, PURCHASER MAY RETURN ALL CONTAINERS OR PACKAGES OF PRODUCT PURCHASED FOR A FULL REFUND (PROVIDED THE CONTAINERS OR PACKAGING IS UNOPENED AND LESS SHIPPING CHARGES IF ANY) WITHIN 30-DAYS OF PURCHASE. RETENTION OF PRODUCT BEYOND 30-DAYS FROM PURCHASE, OR USE OF PRODUCT SHALL CONSTITUTE ACCEPTANCE OF HENRY'S LIMITED WARRANTY TERMS, CONDITIONS AND DISCLAIMERS. THIS LIMITED WARRANTY PROVIDES THE PURCHASER'S EXCLUSIVE REMEDY FOR ANY DEFECT IN THE PRODUCT.** For further details of Henry's product warranty, see our website at www.henry.com/warranty.

Statement of Responsibility

The technical and application information herein is based on the present state of our best scientific and practical knowledge. As the information herein is of a general nature, no assumption can be made as to a product's suitability for a particular use or application and no warranty as to its accuracy, reliability or completeness either expressed or implied is given other than those required by law. The user is responsible for checking the suitability of products for their intended use. Henry Company data sheets are updated on a regular basis; it is the user's responsibility to obtain and to confirm the most recent version. Information contained in this data sheet may change without notice.



WATERPROOFING

MiraSTOP™ BW

MiraSTOP is now
MiraSTOP BW

Description

MiraSTOP BW is a **Bentonite Waterstop** that swells when in contact with water. This high quality, self-adhering, flexible, coiled waterstop strip is comprised of butyl rubber polymers and expandable bentonite clay waterproofing joint compound.

MiraSTOP BW is designed for use in non-moving joints to create watertight concrete joints. MiraSTOP BW is ideal for many types of cast-in-place and precast below-grade concrete applications, such as: construction joints in foundation slabs and below-grade walls, precast concrete wall panel systems, septic tanks, sanitary and storm sewer manholes, pipes, utility and burial vaults, wet walls, box culverts and portable water tanks.

MiraSTOP BW prevents infiltration of below-grade moisture in non-moving joints. When water comes in contact with MiraSTOP BW it swells to form a strong compression seal.

MiraSTOP BW is ideal for a variety of applications:

- Vertical and horizontal concrete 8" (200 mm) thick or greater
- Shotcrete foundation walls
- High hydrostatic pressures
- Tie-back plates and penetrations

Features and Benefits

- Can be used in conjunction with CCW Waterproofing Systems and Henry® Waterproofing Systems.
- Easy to install
- Applies in all dry weather conditions – flexible enough for virtually all season applications
- Non-toxic – needs no special handling
- Self-adhering



Installation

Remove dust, dirt, loose particles or any other materials that might cause areas of poor adhesion of the MiraSTOP BW. Best practice is to position the waterstop inboard of the steel reinforcement along the exterior face of the wall.

For smooth substrates, apply CCW-702, CCW-702WB, CCW-AWP, CCW CAV-GRIP® or TRAVEL-TACK™ 2" wide continuously along the joint. Allow the primer to dry to the touch (typically 30 minutes) prior to application of MiraSTOP BW.

For rough substrates, apply a minimum 3/8" bead of MiraSTOP SS centered where the MiraSTOP BW will be installed. Apply the MiraSTOP BW within 30 minutes of the MiraSTOP SS.

Remove one side of the release paper and firmly press MiraSTOP BW into the prepared substrate. Press any butt ends or splices together to ensure no separation or air pockets. Remove the remaining release paper and mechanically fasten the MiraSTOP BW as necessary. Position fasteners 1" from any ends or splices, and 10" on-center, or as-needed.

WATERPROOFING

MiraSTOP BW

Packaging

MiraSTOP BW = 1" x ¾" x 16'-8" coil, 6 rolls per box, 53 lbs.

Availability

Available through local CCW and Henry Representatives or Distribution. Visit www.carlisleccw.com or www.henry.com to contact us, or select "Find a Rep or Distributor."

Limitations

- Do not allow premature hydration of MiraSTOP BW.
- MiraSTOP BW must have a minimum of 3" of concrete cover.

Warnings and Hazards

- Review Safety Data Sheets before handling; available online at www.carlisleccw.com or www.henry.com.
- Wear proper protective gloves, clothing, and eye/face protection.

Storage

Always store MiraSTOP BW in a protected and dry location in original, unopened containers. Do not store in direct sunlight. When stored at temperatures of 40-86°F (4-30°C) in the original, unopened containers, shelf life is 12 months.

Disposal

MiraSTOP BW must be handled and disposed in accordance with local, state, and federal regulations.

Physical Properties

Property	Method	Typical Value
Specific gravity	ASTM D71	1.60
Hardness	ASTM D127	75 dmm
Solids Content	ASTM C681	100%
Unrestricted	-	300%
Shelf Life	-	2 years minimum
Storage Temperature	-	-10°F to 90°F
Application Temperature	-	-10°F to 120°F
Service Temperature	-	-50°F to 190°F

All flow rates were tested at 3600 psf.

Drainage Performance Index is a function of ASTM D4833, D4632 and D1621.

¹ In plane flow rate @ gradient of 1.0

² Installed flow rate with soil overburden at vertical gradient of 1.0.

Limited Warranty

Carlisle Coatings & Waterproofing Incorporated (Carlisle) warrants this product to be free of defects in workmanship and materials only at the time of shipment from our factory. If any Carlisle materials prove to contain manufacturing defects that substantially affect their performance, Carlisle will, at its option, replace the materials or refund its purchase price. This limited warranty is the only warranty extended by Carlisle with respect to its materials. There are no other warranties, including the implied warranties of merchantability and fitness for a particular purpose. Carlisle specifically disclaims liability for any incidental, consequential, or other damages, including but not limited to, loss of profits or damages to a structure or its contents, arising under any theory of law whatsoever. The dollar value of Carlisle's liability and buyer's remedy under this limited warranty shall not exceed the purchase price of the Carlisle material in question.



WATERPROOFING

MiraSTOP™ NBW

Description

MiraSTOP NBW is a **Non-Bentonite Waterstop** that swells when it comes in contact with water. This high-quality, flexible, coiled waterstop strip is comprised of chloroprene rubber.

MiraSTOP NBW is designed for use in non-moving joints to create watertight concrete joints. MiraSTOP NBW is ideal for many types of cast-in-place and precast below-grade concrete applications, such as: construction joints in foundation slabs and below-grade walls, precast concrete wall panel systems, septic tanks, sanitary and storm sewer manholes, pipes, utility and burial vaults, wet walls, box culverts, and portable water tanks.

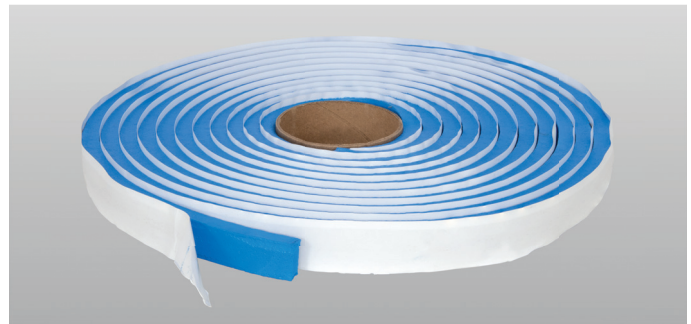
MiraSTOP NBW prevents infiltration of below-grade moisture in nonmoving joints. When water comes in contact with MiraSTOP NBW, it swells to form a strong compression seal.

MiraSTOP NBW is ideal for a variety of applications:

- Vertical and horizontal concrete 8" (200 mm) thick or greater
- Shotcrete foundation walls
- High hydrostatic pressures
- Tie-back plates and penetrations

Features and Benefits

- Can be used in conjunction with CCW Waterproofing Systems and Henry® Waterproofing Systems
- Easy to install
- Excellent resistance to many chemicals
- Cohesively strong
- Swells up to 400% of its original volume



Installation

Surfaces should be clean and free of dust and grease but may be damp to the touch. Best practice is to position the waterstop inboard of the steel reinforcement along the exterior face of the wall.

Apply a minimum $\frac{3}{8}$ " bead of MiraSTOP SS centered where the MiraSTOP NBW will be installed. Apply the MiraSTOP NBW within 30 minutes of the MiraSTOP SS.

Remove one side of the release paper and firmly press MiraSTOP NBW into the MiraSTOP SS. Apply a $\frac{1}{8}$ "- $\frac{1}{4}$ " (3-6mm) bead of MiraSTOP SS to adhere splices of the MiraSTOP NBW waterstop. Remove the remaining release paper and mechanically fasten the MiraSTOP NBW as necessary. Position fasteners 1" from any ends or splices, and 10" on center, or as needed. Allow the MiraSTOP SS to cure for a minimum of 3 hours prior to concrete placement.

Packaging

MiraSTOP NBW = $\frac{3}{4}$ " x $\frac{3}{8}$ " x 25' coil (20mm x 10mm x 7.62 meters);
8 rolls per box

Availability

Available through local CCW and Henry Representatives or Distributors. Visit www.carlisleccw.com or www.henry.com to contact us or select "Find a Rep or Distributor".

WATERPROOFING

MiraSTOP NBW

Limitations

Do not allow premature hydration of MiraSTOP NBW.

MiraSTOP NBW must have a minimum of 3" of concrete cover.

Warnings and Hazards

Review Safety Data Sheets before handling; available online at www.carlisleccw.com or www.henry.com.

Wear proper protective gloves, clothing, and eye/face protection.

Storage

Always store MiraSTOP NBW in a protected and dry location in original, unopened containers. Do not store in direct sunlight. When stored at temperatures of 40–86°F (4–30°C) in the original, unopened containers, shelf life is 12 months.

Disposal

MiraSTOP NBW must be handled and disposed in accordance with local, state, and federal regulations.

Physical Properties

Property	Typical Value
Color	Blue
Specific Gravity	1.25 – 1.40
Elongation	400%
Hardness	40 dmm
Hydrostatic Pressure Resistance	100 psi

Limited Warranty

Carlisle Coatings & Waterproofing Incorporated (Carlisle) warrants this product to be free of defects in workmanship and materials only at the time of shipment from our factory. If any Carlisle materials prove to contain manufacturing defects that substantially affect their performance, Carlisle will, at its option, replace the materials or refund its purchase price. This limited warranty is the only warranty extended by Carlisle with respect to its materials. There are no other warranties, including the implied warranties of merchantability and fitness for a particular purpose. Carlisle specifically disclaims liability for any incidental, consequential, or other damages, including but not limited to, loss of profits or damages to a structure or its contents, arising under any theory of law whatsoever. The dollar value of Carlisle's liability and buyer's remedy under this limited warranty shall not exceed the purchase price of the Carlisle material in question.



WATERPROOFING

MiraSTOP™ IW

Description

MiraSTOP IW is an Injectible Waterstop that provides a conduit or channel for MiraSTOP Chemical Grouts to seal cold joints, construction joints, and penetrations. This injectable waterstop system is supplied as a kit and includes the injectable waterstop hose and all necessary accessories for ease of installation. This product is for use with MiraSTOP CG-F and MiraSTOP CG-HS Chemical Grouts.

The MiraSTOP IW injection hose is constructed of 1) a high-strength wire coil that prevents damage from concrete placement, 2) a filter fabric that prevents clogging from concrete placement, and 3) a protective mesh sleeve that allows grout to permeate from the injection hose and into the surrounding concrete.

MiraSTOP IW can be used in conjunction with CCW Waterproofing Systems and Henry® Waterproofing Systems.

Installation

Install MiraSTOP IW injection hose onto a smooth surface. If the surface is rough, fill any gaps between the surface and the hose with MiraSTOP SS. For joints, lay a 25-ft. maximum length of injection hose in the joint area ensuring there will be a minimum of 3 in. concrete cover. Secure the hose by fastening the clips at a minimum of 12 in. on-center, or as needed.

Attach the elbow connections to the ends of the injection hose. Ensure the hose connection has a snug connection prior to securing the connector with a fastening clip. Connectors between neighboring runs of injection hose should be separated by 2-3 in.; do not allow injection hoses to come in contact with one another to prevent “leap-frogging” or cross-contamination during grouting operations.

Attach the PVC tubing to the nipped end of both connectors for each run of injection hose. The tubing should be cut to length such that it extends beyond the concrete pour or formwork to allow future connection for grouting operations. Ensure the exposed ends of all tubing are protected from physical damage by other trades.

Injection

Allow concrete to cure for a minimum of 28 days prior to injection. Refer to MiraSTOP Chemical Grout Technical Data Sheets for more information.



Packaging

The MiraSTOP IW System is supplied as a kit that includes the injection hose, fastening clips, elbow connections, and reinforced PVC tubing; 1 kit per carton, 54 cartons per pallet.

MiraSTOP IW Kit	Qty/Carton
Injection Hose	100 ft.
Fastening Clips	100 units
Connectors	10 units
PVC Tubing	10 ft.

Availability

Available through local CCW and Henry Representatives or Distribution. Visit www.carlisleccw.com or www.henry.com to contact us, or select “Find a Rep or Distributor.”

WATERPROOFING

MiraSTOP IW

Physical Properties

Injection Hose	Typical Value
Color	Yellow
Outside Diameter	1/2 in. (12 mm)
Inside Diameter	5/16 in. (8 mm)
Maximum Install Length	25 ft. (7.6 m)
Weight	4.5 Lbs. per 25 ft. (2 kg per 7.6 m)
Temperature Limit	158°F (70°C)
Tensile Strength	261,000 psi (1,800 N/mm ²)
Filter Pore Diameter	400 U.S. Sieve (35 µm)

Limitations

- MiraSTOP IW must have a minimum of 3 in. of concrete cover.
- MiraSTOP IW must be used with MiraSTOP Chemical Grouts either after a minimum of 28 days concrete cure or if water intrusion occurs.

Warnings and Hazards

Review Safety Data Sheets before handling (available online at carlisleccw.com or www.henry.com).

Storage

Always store MiraSTOP IW Kit in a protected and dry location in original, unopened containers. Do not store in direct sunlight. When stored at temperatures of 50-86°F (10-30°C) in the original, unopened containers, shelf life for injection hose and kit accessories is 12 months.

Disposal

MiraSTOP IW should be discarded as unregulated trash but confirm with local, state, and federal regulations.

Uncured MiraSTOP Chemical Grouts are considered hazardous materials and must be handled and disposed as such, in accordance with local, state, and federal regulations.

Limited Warranty

Carlisle Coatings & Waterproofing Incorporated (Carlisle) warrants this product to be free of defects in workmanship and materials only at the time of shipment from our factory. If any Carlisle materials prove to contain manufacturing defects that substantially affect their performance, Carlisle will, at its option, replace the materials or refund its purchase price. This limited warranty is the only warranty extended by Carlisle with respect to its materials. There are no other warranties, including the implied warranties of merchantability and fitness for a particular purpose. Carlisle specifically disclaims liability for any incidental, consequential, or other damages, including but not limited to, loss of profits or damages to a structure or its contents, arising under any theory of law whatsoever. The dollar value of Carlisle's liability and buyer's remedy under this limited warranty shall not exceed the purchase price of the Carlisle material in question.



TECHNICAL DATA SHEET
Henry Drain Board
 Prefabricated Drainage Composite

Description

	<u>Henry DB 200 & DB 220</u>	<u>Henry DB 200S</u>	<u>Henry DB 350HN</u>	<u>Henry DB 500 &DB 520</u>	<u>Henry DB 650HN</u>	<u>Henry DB 650N</u>
<u>Fabric Properties</u>						
-Grab Tensile Strength	100 lbs	100 lbs	205 lbs	100 lbs	205 lbs	100 lbs
-CBR Puncture	275 lbs	275 lbs	600 lbs	275 lbs	600 lbs	275 lbs
-Grab Elongation	65%	65%	70 %	65%	70%	65%
-AOS	70 sieve	70 sieve	80 sieve	70 sieve	80 sieve	70 sieve
-Flow Rate	165 gpm/ft ²	165 gpm/ft ²	100 gpm/ft ²	165 gpm/ft ²	100 gpm/ft ²	165 gpm/ft ²
<u>Core Properties</u>						
-Material	Polystyrene	Polystyrene	Polystyrene	Polystyrene	Polystyrene	Polystyrene
-Thickness	0.25 inch	0.25 inch	0.25 inch	0.44 inch	0.44 inch	0.44 inch
-Compressive Strength	11,000 lbs/ft ²	30,000 lbs/ft ²	30,000 lbs/ft ²	15,000 lbs/ft ²	18,000 lbs/ft ²	18,000 lbs/ft ²
<u>Product Properties</u>						
-Flow Rate	12.5 gpm/ft*	13 gpm/ft*	13 gpm/ft*	17 gpm/ft*	21 gpm/ft*	21 gpm/ft*
-Recycled Content	71%	79%	>65	74%	>65	78%
-Roll Length	50 ft	50 ft	50 ft	50 ft	50 ft	50 ft
-Roll Width	4 ft	4 ft	4 ft	4 ft	4 ft	4 ft
-Roll Weight	29lbs	45lbs	49lbs	39lbs	53lbs	47lbs

*The Flow Rate published is for a hydraulic gradient of 1.0, which is typical for a vertical orientation. For the anticipated Flow Rate for horizontal applications, typically a hydraulic gradient of 0.1, contact Henry Technical Support.

Description

Henry Drain Board (DB) products consist of multiple components designed to enhance the performance of Henry protected membrane roofing and waterproofing systems. **Henry Drain Board** consists of a polystyrene or PVC core combined with a polypropylene fabric. Polymeric films attached to the **Henry Drain Board** provide additional protection for softer waterproofing systems.

Features

- Integral part of a high performance Henry protected membrane roofing or waterproofing system
- Low installed cost compared to other drainage systems such as aggregates
- Easy to handle and install
- Strong and durable with very high compressive strength and tear resistance
- Chemically resistant
- High flow capacity

Preparation

Ensure that the primary waterproofing system has been installed and inspected prior to covering with **Henry DB**. Flood tests may also need to be complete prior to the application of the **Henry DB**. When used as a protection board, ensure that work progresses from sheet to sheet to avoid damage to the waterproofing membrane.

Henry Drain Board is used as a component of a Henry high performance protected membrane roofing assembly or waterproofing assembly in both horizontal and vertical applications. The **Henry Drain Board** enhances the performance of the watertight layer by directing water quickly and safely to a drain and drain system. Used in protected membrane roofing applications, retaining walls, plaza deck waterproofing, parking structures, roof gardens and planters, foundation walls and other areas where a high performance system is desired.

Henry DB 200 – Designed for vertical and horizontal installations at shallower depths where moderate compressive strength is adequate.

Henry DB 220 – Designed for vertical and horizontal installations at shallower depths where moderate compressive strength is adequate. Polymeric films attached to membrane (back) side provide additional protection for softer waterproofing systems.

Henry DB 200S – Designed for vertical and horizontal installations requiring a high compressive strength and moderate flow capacity.

Henry DB 350HN – Designed for horizontal applications requiring high compressive strength, moderate flow capacity, and the strength and filtration properties of a non-woven geotextile. Suitable for use under topping slab in split slab applications.

Henry DB 500 – Designed primarily for vertical installations requiring high compressive strength and where high flow capacity is needed. Use is suitable for selected horizontal applications.

Henry DB 520 – Designed primarily for vertical installations requiring high compressive strength and where high flow capacity is needed. Use is suitable for selected horizontal applications. Polymeric film attached to membrane (back) side provides additional protection for softer waterproofing systems.

Henry DB 650HN – Designed primarily for horizontal applications requiring high flow capacity, high compressive strength and the strength and filtration properties of a non-woven geotextile. Suitable for use under topping slab in split slab applications.

Henry DB 650N – Designed for horizontal applications requiring high flow capacity, high compressive strength and the strength and filtration properties of a non-woven geotextile.

Application

Attach Henry Drain Board to vertical surfaces using Henry cold applied adhesives, Blueskin® PreSeal™ Tape 50S, and nails driven through washers, or other approved method.

Vertical Application: Start at the top or bottom of the wall. Rolls may be applied horizontally or vertically. When installed horizontally, the edge of the core with the flange should be at the top. When installed vertically, the flange should be at the upstream edge. This flange position minimizes the seepage of water behind the drain similar to the way roof shingles work.

Horizontal Application: The edge of the core with the flange should be at the higher edges of the substrate, away from the drains.

Overlaps: Pull back loose fabric to expose drain core. Position core of second panel over the overlap flange of first panel. Overlap in direction of water flow. Tuck fabric behind core at all outside edges.

Corners: Bend drain to make inside corners. For outside corners, cut **Henry DB** to reach corner and provide 3" or extra fabric to wrap around corner. Attach drain to wall and overlap fabric at joint.

Backfilling: Soil should be placed and compacted directly against the drain.

Limited Warranty

Contact Warranty Department at www.henry.com/warranty or location shown below for product or systems warranty information.

Statement of Responsibility

The technical and application information herein is based on the present state of our best scientific and practical knowledge. As the information herein is of a general nature, no assumption can be made as to a product's suitability for a particular use or application and no warranty as to its accuracy, reliability or completeness either expressed or implied is given other than those required by law. The user is responsible for checking the suitability of products for their intended use. Henry Company data sheets are updated on a regular basis; it is the user's responsibility to obtain and to confirm the most recent version. Information contained in this data sheet may change without notice.

For more information, visit www.henry.com or for technical assistance call us at 800-486-1278. For more information on Henry's® product warranty and liability disclaimer please visit www.henry.com/warranty. Refer to the Safety Data Sheet prior to using this product. The Safety Data Sheet is available at www.henry.com or by emailing Henry® Product Support at productsupport@henry.com or by calling 800-486-1278.

Henry is a registered trademark of Henry Company.
Covered by US patent 6,901,712; Canadian patent 2,413,550.

The technical and application information herein is based on the present state of our best scientific and practical knowledge. As the information herein is of a general nature, no assumption can be made as to a product's suitability for a particular use or application and no warranty as to its accuracy, reliability or completeness either expressed or implied is given other than those required by law. The user is responsible for checking the suitability of products for their intended use. Henry® Company data sheets are updated on a regular basis; it is the user's responsibility to obtain and to confirm the most recent version. Information contained in this data sheet may change without notice.

SAFETY DATA SHEET



Issue Date 09-Oct-2020

Revision Date 09-Oct-2020

Version 1

1. IDENTIFICATION

Product identifier

Product Name BLUESKIN® PRESEAL 435

Other means of identification

Product Code BP435

Synonyms None

Recommended use of the chemical and restrictions on use

Recommended Use Waterproofing Sealers

Uses advised against No information available

Details of the supplier of the safety data sheet

Supplier Address

HENRY COMPANY
15 Wallsend Dr.
Scarborough, ON M1E 3X6
Canada
Web Site: www.henry.com
www.ca.henry.com

Manufacturer Address

HENRY COMPANY
999 N. Pacific Coast Hwy., Suite 800
El Segundo, CA 90245-2716
Web Site: www.henry.com www.ca.henry.com

Emergency telephone number

Company Phone Number 800-486-1278

Emergency Telephone US and Canada only (toll-free) : 3E Company - 1-866-519-4752 (access code 334832)
US/Canada, all other countries: 3E Company - +1-760-476-3962 (access code 334832)
Mexico (additional contact option): 3E Company - +52 55 41696225 (Code 334832)

2. HAZARDS IDENTIFICATION

Classification

OSHA Regulatory Status

This article doesn't contain hazardous substances or mixtures intended to be released under normal or reasonably foreseeable conditions of use This chemical is not considered hazardous by the 2012 OSHA Hazard Communication Standard (29 CFR 1910.1200) and Canadian Workplace Hazardous Material Information System (WHMIS)

Label elements

Emergency Overview

Not classified

Hazard statements

None

Appearance Reinforced fabric/sheet

Physical state Solid

Odor None

Precautionary Statements - Prevention

Not applicable

Precautionary Statements - Response

Not applicable

Hazards not otherwise classified (HNOC)

Not applicable

Other Information

Not applicable.

Unknown acute toxicity

0% of the mixture consists of ingredient(s) of unknown toxicity

3. COMPOSITION/INFORMATION ON INGREDIENTS**Substance**

Not applicable

Mixture

This article doesn't contain hazardous substances or mixtures intended to be released under normal or reasonably foreseeable conditions of use.

Chemical Name	CAS No	Weight-%
Polypropylene *	9003-07-0	60 - 100
Polyester (non-hazardous) *	Proprietary	5 - 10
Acrylate (non-hazardous) *	Proprietary	1 - 5

*The exact percentage (concentration) of composition has been withheld as a trade secret. If CAS number is "proprietary", the specific chemical identity and percentage of composition has been withheld as a trade secret.

4. FIRST AID MEASURES**Description of first aid measures****General advice**

In case of accident or unwellness, seek medical advice immediately (show directions for use or safety data sheet if possible). If symptoms persist, call a physician.

Eye contact

Keep eye wide open while rinsing. Immediately flush with plenty of water. After initial flushing, remove any contact lenses and continue flushing for at least 15 minutes. If symptoms persist, call a physician.

Skin contact

Wash off immediately with soap and plenty of water while removing all contaminated clothes and shoes. If symptoms persist, call a physician. Wash contaminated clothing before reuse.

Inhalation

Remove to fresh air. If breathing is irregular or stopped, administer artificial respiration. Avoid direct contact with skin. Use barrier to give mouth-to-mouth resuscitation. If symptoms persist, call a physician.

Ingestion

Call a physician or poison control center immediately. Do not induce vomiting without medical advice. Rinse mouth. Never give anything by mouth to an unconscious person.

Self-protection of the first aider

Use personal protective equipment as required.

Most important symptoms and effects, both acute and delayed**Symptoms**

None known.

Indication of any immediate medical attention and special treatment needed

Note to physicians Treat symptomatically.

5. FIRE-FIGHTING MEASURES**Suitable extinguishing media**

Use extinguishing measures that are appropriate to local circumstances and the surrounding environment. Dry chemical, CO₂, sand, earth, water spray or regular foam.

Unsuitable extinguishing media Do not use a solid water stream as it may scatter and spread fire.

Specific hazards arising from the chemical

Thermal decomposition can lead to release of irritating and toxic gases and vapors.

Explosion data

Sensitivity to Mechanical Impact None.

Sensitivity to Static Discharge None.

Protective equipment and precautions for firefighters

As in any fire, wear self-contained breathing apparatus pressure-demand, MSHA/NIOSH (approved or equivalent) and full protective gear.

6. ACCIDENTAL RELEASE MEASURES**Personal precautions, protective equipment and emergency procedures**

Personal precautions Use personal protective equipment as required.

Environmental precautions

Environmental precautions Collect spillage. Dispose of contents/container to an approved waste disposal plant.

Methods and material for containment and cleaning up

Methods for containment No information available.

Methods for cleaning up Pick up and transfer to properly labeled containers.

7. HANDLING AND STORAGE**Precautions for safe handling**

Advice on safe handling Handle in accordance with good industrial hygiene and safety practice. Use personal protective equipment as required.

Conditions for safe storage, including any incompatibilities

Storage Conditions Keep container tightly closed in a dry and well-ventilated place.

Incompatible materials Strong oxidizing agents. Strong acids. Strong bases.

8. EXPOSURE CONTROLS/PERSONAL PROTECTION**Control parameters**

Exposure Guidelines This article doesn't contain hazardous substances or mixtures intended to be released under normal or reasonably foreseeable conditions of use.

Appropriate engineering controls

Engineering Controls Showers
Eyewash stations

Ventilation systems.

Individual protection measures, such as personal protective equipment

Eye/face protection	Wear safety glasses with side shields (or goggles).
Skin and body protection	Wear protective gloves and protective clothing.
Respiratory protection	If exposure limits are exceeded or irritation is experienced, NIOSH/MSHA approved respiratory protection should be worn. Positive-pressure supplied air respirators may be required for high airborne contaminant concentrations. Respiratory protection must be provided in accordance with current local regulations.

General Hygiene Considerations Handle in accordance with good industrial hygiene and safety practice.

9. PHYSICAL AND CHEMICAL PROPERTIES

Information on basic physical and chemical properties

Physical state	Solid	Odor	None
Appearance	Reinforced fabric/sheet	Odor threshold	No information available
Color	Translucent White		
<u>Property</u>	<u>Values</u>	<u>Remarks • Method</u>	
pH	Not applicable		
Melting point / freezing point	No information available		
Boiling point / boiling range	No information available		
Flash point	No information available		
Evaporation rate	No information available	Not applicable	
Flammability (solid, gas)	No information available		
Flammability Limit in Air			
Upper flammability limit:	No information available		
Lower flammability limit:	No information available		
Vapor pressure	0		
Vapor density	No information available		
Relative density	>1		
Water solubility	Insoluble in water		
Solubility in other solvents	No information available		
Partition coefficient	No information available		
Autoignition temperature	>350 °C / >662 °F		
Decomposition temperature	No information available		
Kinematic viscosity	No information available	Not applicable	
Dynamic viscosity	No information available	Not applicable	
Explosive properties	Not an explosive		
Oxidizing properties	Not applicable		

Other Information

Softening point	No information available
Molecular weight	No information available
VOC Content (%)	No information available
Density	No information available
Bulk density	No information available

10. STABILITY AND REACTIVITY

Reactivity

No data available

Chemical stability

Stable under recommended storage conditions.

Possibility of Hazardous Reactions

None under normal processing.

Conditions to avoid

Storage near to reactive materials. elevated temperature.

Incompatible materials

Strong oxidizing agents. Strong acids. Strong bases.

Hazardous Decomposition Products

Thermal decomposition can lead to release of irritating and toxic gases and vapors.

11. TOXICOLOGICAL INFORMATION

Information on likely routes of exposure**Product Information**

Inhalation	None known.
Eye contact	None known.
Skin contact	None known.
Ingestion	Based on available data, the classification criteria are not met.

Information on toxicological effects

Symptoms No information available.

Delayed and immediate effects as well as chronic effects from short and long-term exposure

Sensitization Based on available data, the classification criteria are not met.

Germ cell mutagenicity Based on available data, the classification criteria are not met.

Carcinogenicity The table below indicates whether each agency has listed any ingredient as a carcinogen.

Chemical Name	ACGIH	IARC	NTP	OSHA
Polypropylene 9003-07-0	-	Group 3	-	-

IARC (International Agency for Research on Cancer)

Group 3 - Not Classifiable as to Carcinogenicity in Humans

Reproductive toxicity Based on available data, the classification criteria are not met.

STOT - single exposure Based on available data, the classification criteria are not met.

STOT - repeated exposure Based on available data, the classification criteria are not met.

Aspiration hazard Based on available data, the classification criteria are not met.

Numerical measures of toxicity - Product Information

12. ECOLOGICAL INFORMATION

Ecotoxicity

None known

Persistence and degradability

No information available.

Bioaccumulation

No information available.

Other adverse effects

No information available

13. DISPOSAL CONSIDERATIONS

Waste treatment methods

Disposal of wastes	Disposal should be in accordance with applicable regional, national and local laws and regulations.
Contaminated packaging	Do not reuse container.

14. TRANSPORT INFORMATION

DOT	Not regulated
TDG	Not regulated
IATA	Not regulated
IMDG	Not regulated

15. REGULATORY INFORMATION

International Inventories

TSCA	Complies
DSL/NDSL	Complies
EINECS/ELINCS	Complies
IECSC	Complies
KECL	Complies
PICCS	Complies
AICS	Complies

Legend:

TSCA - United States Toxic Substances Control Act Section 8(b) Inventory

DSL/NDSL - Canadian Domestic Substances List/Non-Domestic Substances List

EINECS/ELINCS - European Inventory of Existing Chemical Substances/European List of Notified Chemical Substances

ENCS - Japan Existing and New Chemical Substances

IECSC - China Inventory of Existing Chemical Substances

KECL - Korean Existing and Evaluated Chemical Substances

PICCS - Philippines Inventory of Chemicals and Chemical Substances

AICS - Australian Inventory of Chemical Substances

US Federal Regulations**SARA 313**

Section 313 of Title III of the Superfund Amendments and Reauthorization Act of 1986 (SARA). This product does not contain any chemicals which are subject to the reporting requirements of the Act and Title 40 of the Code of Federal Regulations, Part 372

SARA 311/312 Hazard Categories

Acute health hazard	No
Chronic Health Hazard	No
Fire hazard	No
Sudden release of pressure hazard	No
Reactive Hazard	No

CWA (Clean Water Act)

This product does not contain any substances regulated as pollutants pursuant to the Clean Water Act (40 CFR 122.21 and 40 CFR 122.42)

CERCLA

This material, as supplied, does not contain any substances regulated as hazardous substances under the Comprehensive Environmental Response Compensation and Liability Act (CERCLA) (40 CFR 302) or the Superfund Amendments and Reauthorization Act (SARA) (40 CFR 355). There may be specific reporting requirements at the local, regional, or state level pertaining to releases of this material

US State Regulations

California Proposition 65

This product does not contain any Proposition 65 chemicals

U.S. State Right-to-Know Regulations

U.S. EPA Label Information

EPA Pesticide Registration Number Not applicable

16. OTHER INFORMATION, INCLUDING DATE OF PREPARATION OF THE LAST REVISION

<u>NFPA</u>	Health hazards 0	Flammability 1	Instability 0	Physical and Chemical Properties -
<u>HMIS</u>	Health hazards 0	Flammability 1	Physical hazards 0	Personal protection X

Issue Date 09-Oct-2020

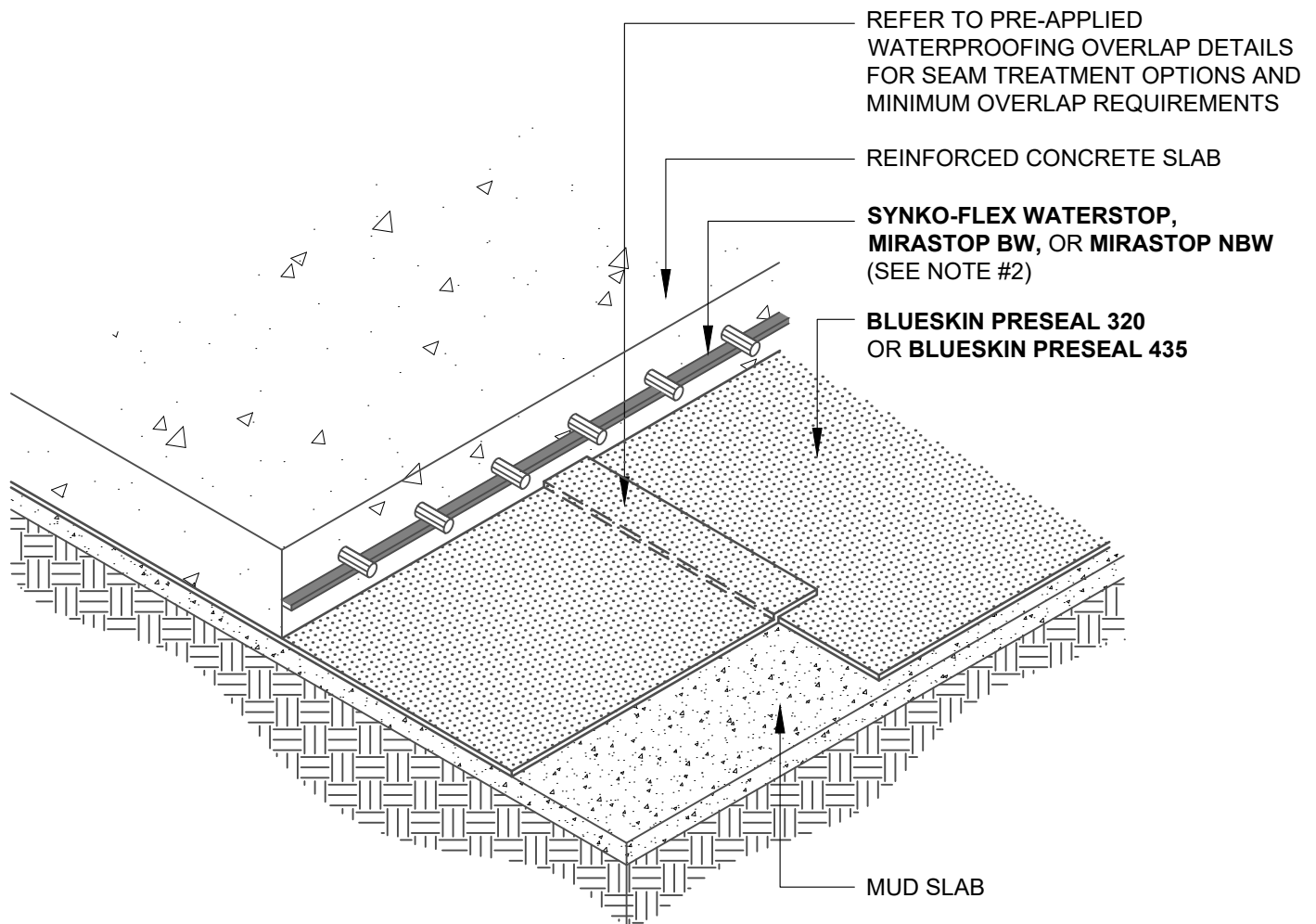
Revision Date 09-Oct-2020

Revision Note
No information available

Disclaimer

The information provided in this Material Safety Data Sheet is correct to the best of our knowledge, information and belief at the date of its publication. The information given is designed only as a guidance for safe handling, use, processing, storage, transportation, disposal and release and is not to be considered a warranty or quality specification. The information relates only to the specific material designated and may not be valid for such material used in combination with any other materials or in any process, unless specified in the text.

End of Safety Data Sheet



NOTES:

1. DETAIL SHOWS HENRY PRE-APPLIED WATERPROOFING SYSTEM FOR APPLICATIONS USING HENRY **BLUESKIN PRESEAL 320** OR **BLUESKIN PRESEAL 435**. SUBSTRATE SHOWN IS FOR REFERENCE ONLY.
2. APPLICATIONS USING SWELLABLE WATERSTOPS: 2" (50MM) MINIMUM CONCRETE COVERAGE ON ALL SIDES.
3. REFER TO PRODUCT SPECIFIC TECHNICAL DATA SHEET (TDS) AND GUIDE SPECIFICATION FOR INSTALLATION PROCEDURES.

Henry[®]

999 N. Pacific Coast Highway, Suite 800
 El Segundo, CA 90245
 800-486-1278 • www.henry.com

MANUFACTURER GUIDE DETAILS ARE FOR REFERENCE ONLY. HENRY DOES NOT ASSUME RESPONSIBILITY FOR ERRORS OR DEVIATIONS IN DESIGN OR ENGINEERING. PROJECT SPECIFIC VERIFICATION IS RECOMMENDED PRIOR TO INSTALLATION.

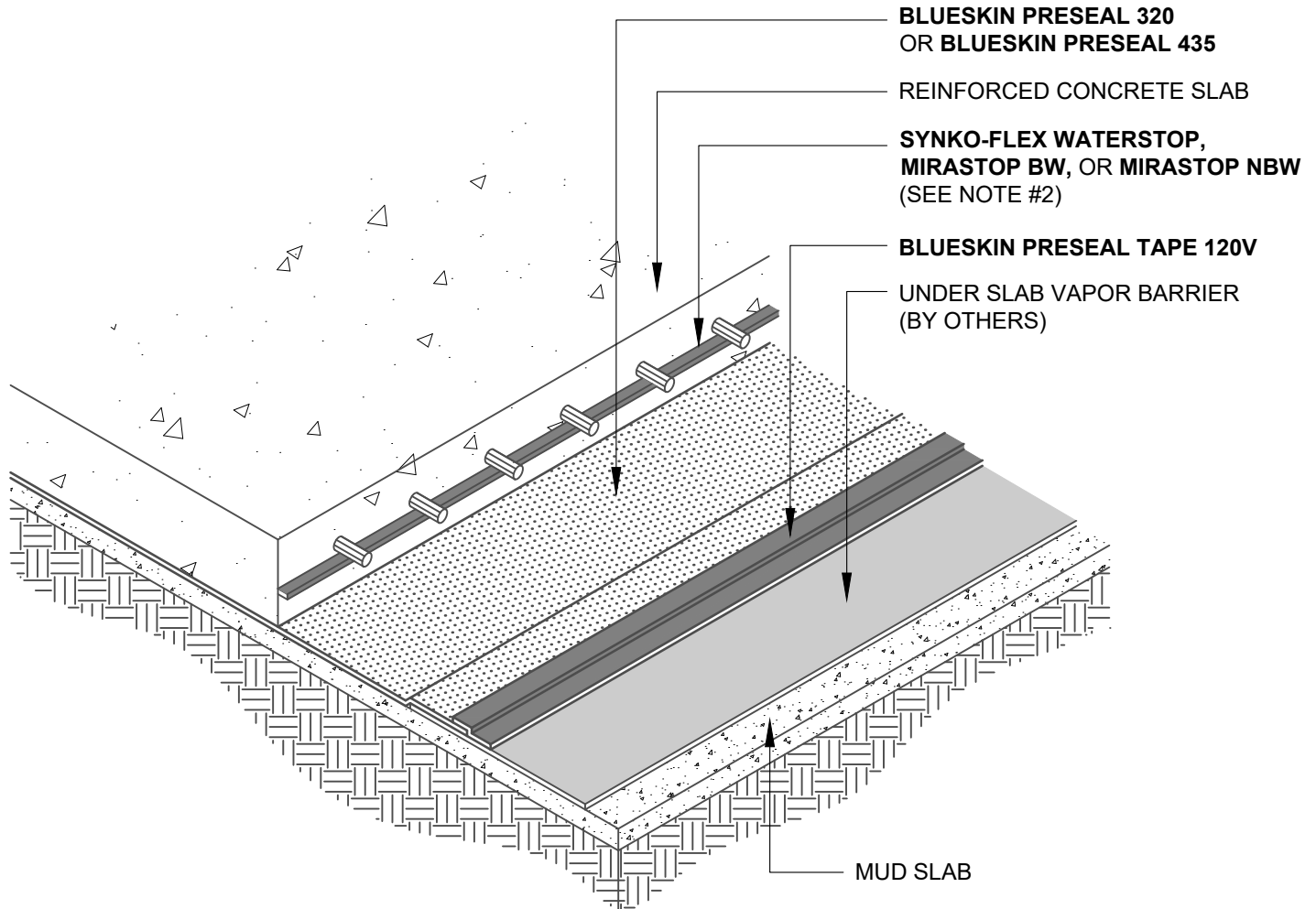
HENRY PRE-APPLIED WATERPROOFING SYSTEM

ASSEMBLY AT UNDER SLAB
BLUESKIN PRESEAL 320 OR BLUESKIN PRESEAL 435
SINGLE REINFORCED SLAB ON MUD SLAB

SCALE: N.T.S.

03-10-2022

BSPS-0A1



NOTES:

1. DETAIL SHOWS HENRY PRE-APPLIED WATERPROOFING SYSTEM FOR APPLICATIONS USING HENRY **BLUESKIN PRESEAL 320** OR **BLUESKIN PRESEAL 435**. SUBSTRATE SHOWN IS FOR REFERENCE ONLY.
2. APPLICATIONS USING SWELLABLE WATERSTOPS: 2" (50MM) MINIMUM CONCRETE COVERAGE ON ALL SIDES.
3. REFER TO PRODUCT SPECIFIC TECHNICAL DATA SHEET (TDS) AND GUIDE SPECIFICATION FOR INSTALLATION PROCEDURES.

Henry[®]

999 N. Pacific Coast Highway, Suite 800
 El Segundo, CA 90245
 800-486-1278 • www.henry.com

MANUFACTURER GUIDE DETAILS ARE FOR REFERENCE ONLY. HENRY DOES NOT ASSUME RESPONSIBILITY FOR ERRORS OR DEVIATIONS IN DESIGN OR ENGINEERING. PROJECT SPECIFIC VERIFICATION IS RECOMMENDED PRIOR TO INSTALLATION.

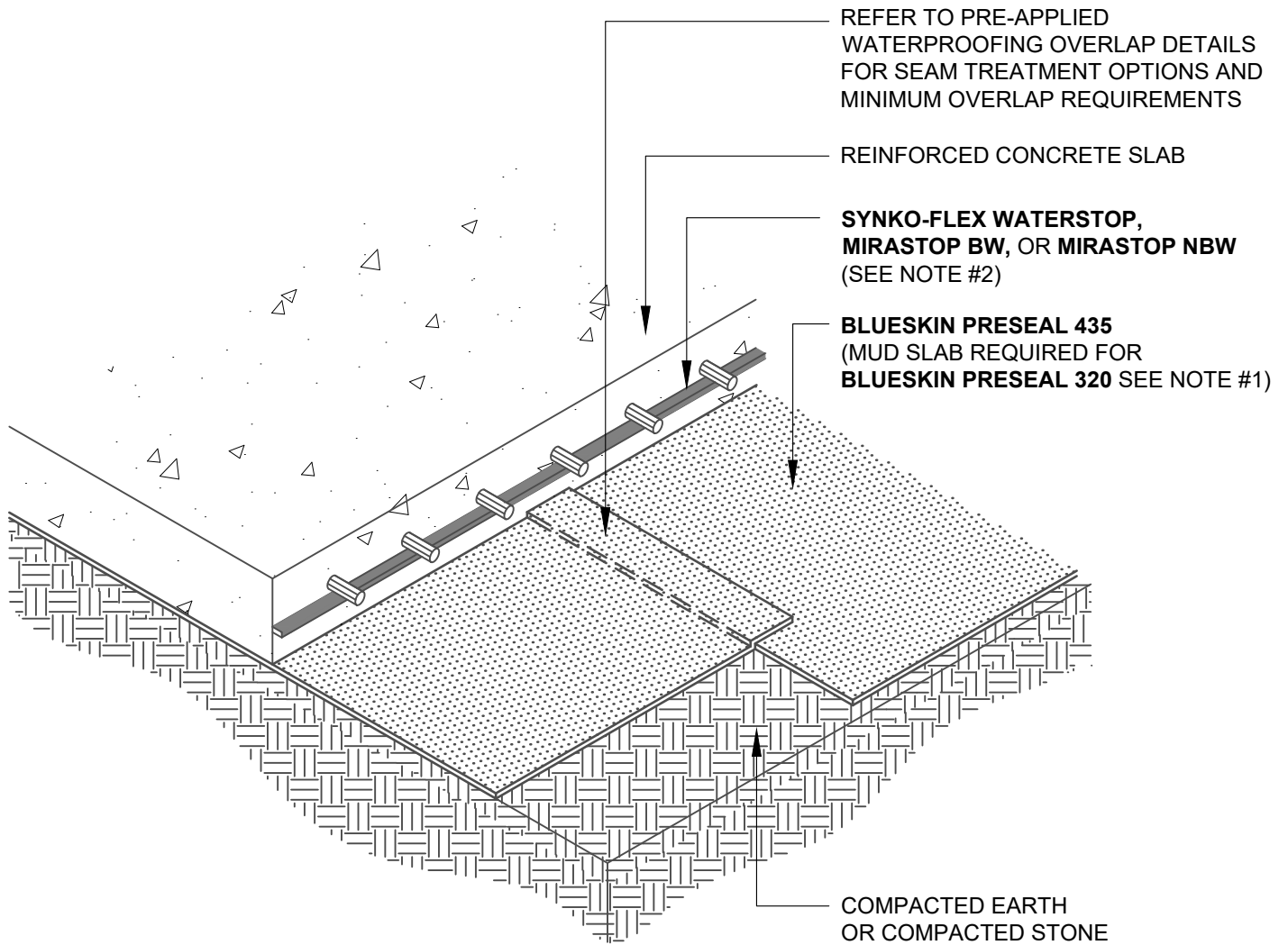
HENRY PRE-APPLIED WATERPROOFING SYSTEM

ASSEMBLY AT UNDER SLAB
BLUESKIN PRESEAL 320 OR BLUESKIN PRESEAL 435
SINGLE REINFORCED SLAB ON MUD SLAB

SCALE: N.T.S.

03-10-2022

BSPS-0A1B



NOTES:

1. DETAIL SHOWS HENRY PRE-APPLIED WATERPROOFING SYSTEM FOR APPLICATIONS USING HENRY **BLUESKIN PRESEAL 435**. REFER TO DETAIL BSPS-0A1 FOR APPLICATIONS USING **BLUESKIN PRESEAL 320**. SUBSTRATE SHOWN IS FOR REFERENCE ONLY.
2. APPLICATIONS USING SWELLABLE WATERSTOPS: 2" (50MM) MINIMUM CONCRETE COVERAGE ON ALL SIDES.
3. REFER TO PRODUCT SPECIFIC TECHNICAL DATA SHEET (TDS) AND GUIDE SPECIFICATION FOR INSTALLATION PROCEDURES.

MANUFACTURER GUIDE DETAILS ARE FOR REFERENCE ONLY. HENRY DOES NOT ASSUME RESPONSIBILITY FOR ERRORS OR DEVIATIONS IN DESIGN OR ENGINEERING. PROJECT SPECIFIC VERIFICATION IS RECOMMENDED PRIOR TO INSTALLATION.

HENRY PRE-APPLIED WATERPROOFING SYSTEM

ASSEMBLY AT UNDER SLAB
BLUESKIN PRESEAL 435
SINGLE REINFORCED SLAB ON COMPACTED EARTH

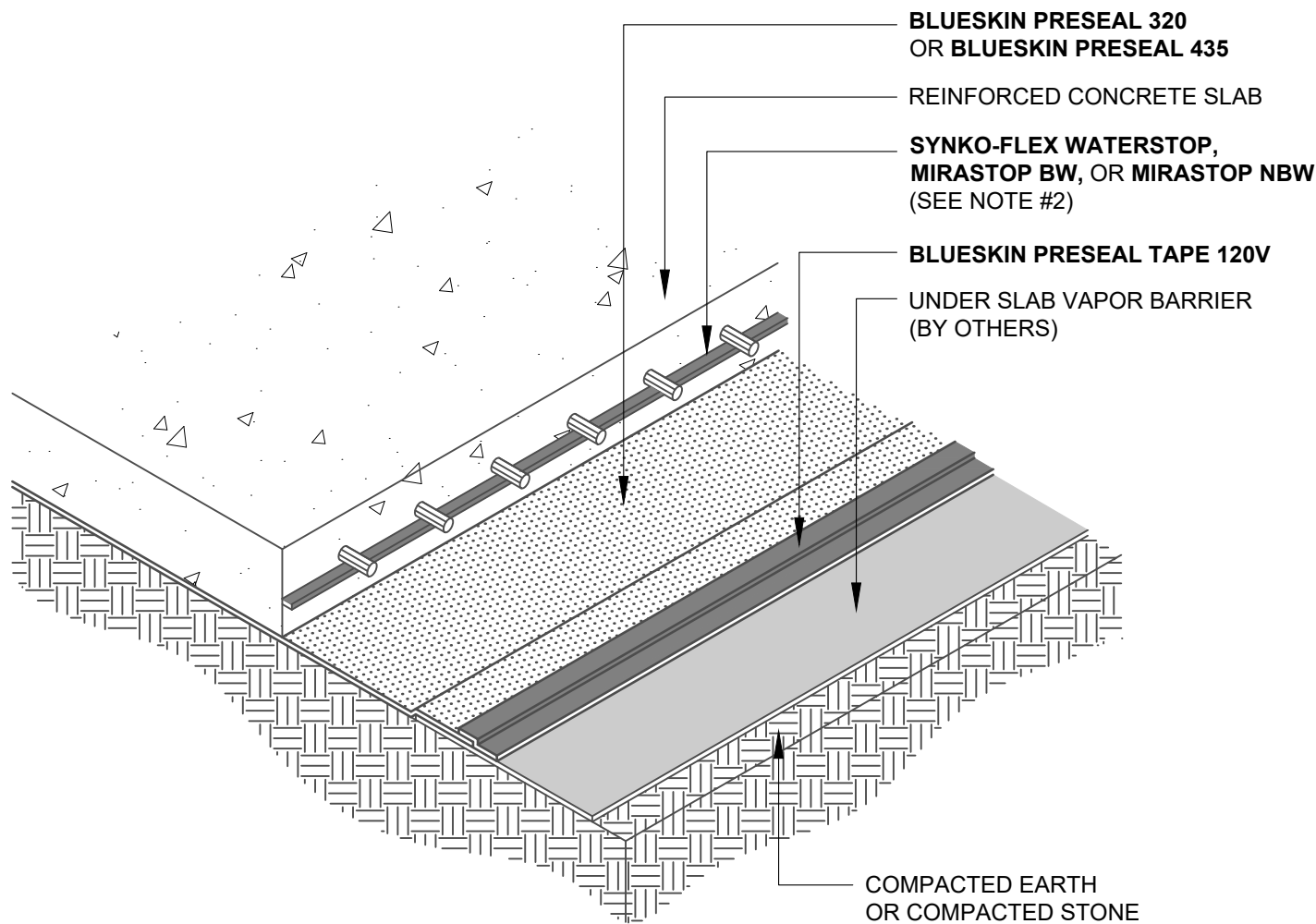
SCALE: N.T.S.

03-10-2022

BSPS-0A2



999 N. Pacific Coast Highway, Suite 800
 El Segundo, CA 90245
 800-486-1278 • www.henry.com



NOTES:

1. DETAIL SHOWS HENRY PRE-APPLIED WATERPROOFING SYSTEM FOR APPLICATIONS USING HENRY **BLUESKIN PRESEAL 435**. REFER TO DETAIL BSPS-0A1 FOR APPLICATIONS USING **BLUESKIN PRESEAL 320**. SUBSTRATE SHOWN IS FOR REFERENCE ONLY.
2. APPLICATIONS USING SWELLABLE WATERSTOPS: 2" (50MM) MINIMUM CONCRETE COVERAGE ON ALL SIDES.
3. REFER TO PRODUCT SPECIFIC TECHNICAL DATA SHEET (TDS) AND GUIDE SPECIFICATION FOR INSTALLATION PROCEDURES.

Henry[®]

999 N. Pacific Coast Highway, Suite 800
El Segundo, CA 90245
800-486-1278 • www.henry.com

MANUFACTURER GUIDE DETAILS ARE FOR REFERENCE ONLY. HENRY DOES NOT ASSUME RESPONSIBILITY FOR ERRORS OR DEVIATIONS IN DESIGN OR ENGINEERING. PROJECT SPECIFIC VERIFICATION IS RECOMMENDED PRIOR TO INSTALLATION.

HENRY PRE-APPLIED WATERPROOFING SYSTEM

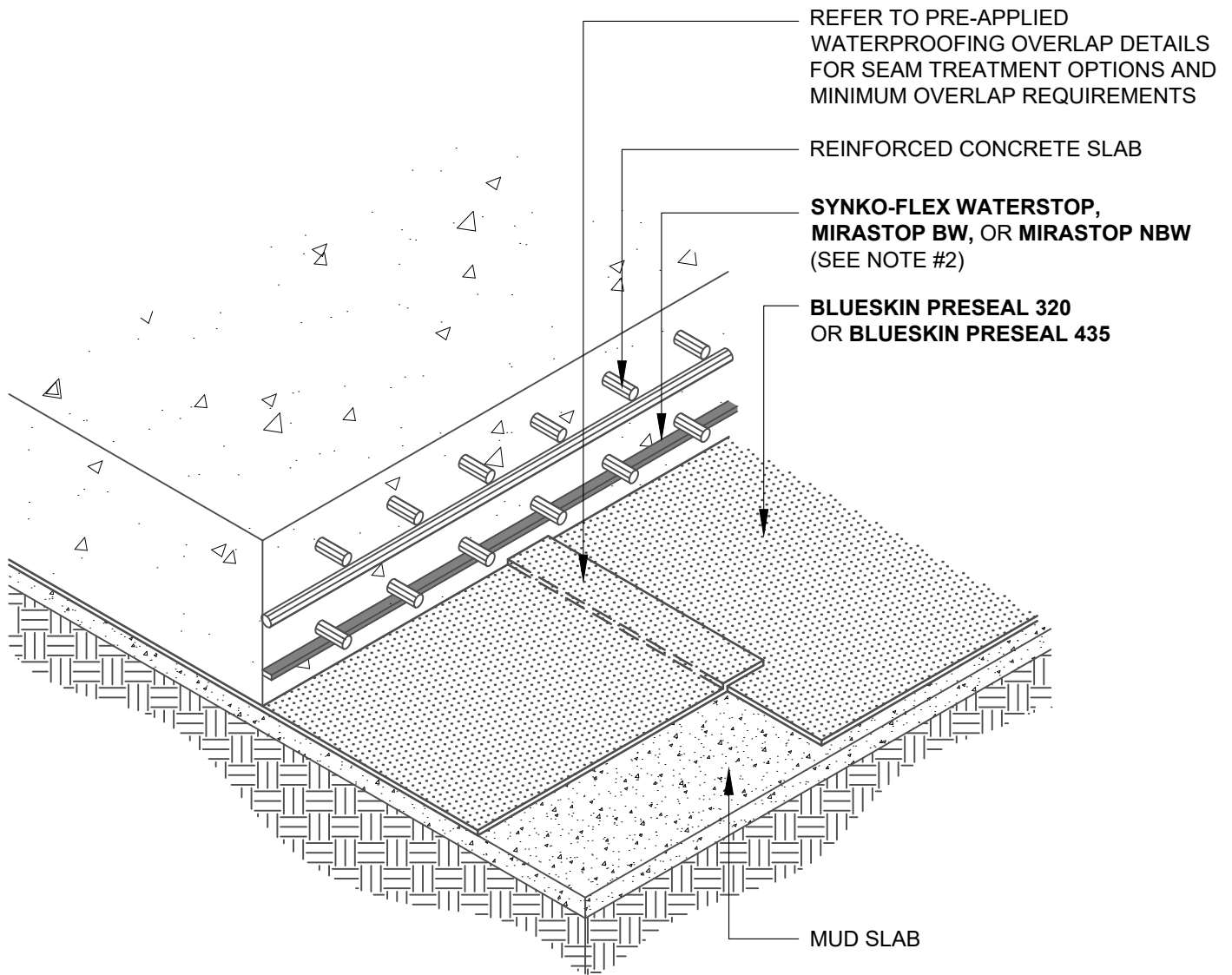
ASSEMBLY AT UNDER SLAB

**BLUESKIN PRESEAL 435
SINGLE REINFORCED SLAB ON COMPACTED EARTH**

SCALE: N.T.S.

03-10-2022

BSPS-0A2B



NOTES:

1. DETAIL SHOWS HENRY PRE-APPLIED WATERPROOFING SYSTEM FOR APPLICATIONS USING HENRY **BLUESKIN PRESEAL 320** OR **BLUESKIN PRESEAL 435**. SUBSTRATE SHOWN IS FOR REFERENCE ONLY.
2. APPLICATIONS USING SWELLABLE WATERSTOPS: 2" (50MM) MINIMUM CONCRETE COVERAGE ON ALL SIDES.
3. REFER TO PRODUCT SPECIFIC TECHNICAL DATA SHEET (TDS) AND GUIDE SPECIFICATION FOR INSTALLATION PROCEDURES.

Henry[®]

999 N. Pacific Coast Highway, Suite 800
 El Segundo, CA 90245
 800-486-1278 • www.henry.com

MANUFACTURER GUIDE DETAILS ARE FOR REFERENCE ONLY. HENRY DOES NOT ASSUME RESPONSIBILITY FOR ERRORS OR DEVIATIONS IN DESIGN OR ENGINEERING. PROJECT SPECIFIC VERIFICATION IS RECOMMENDED PRIOR TO INSTALLATION.

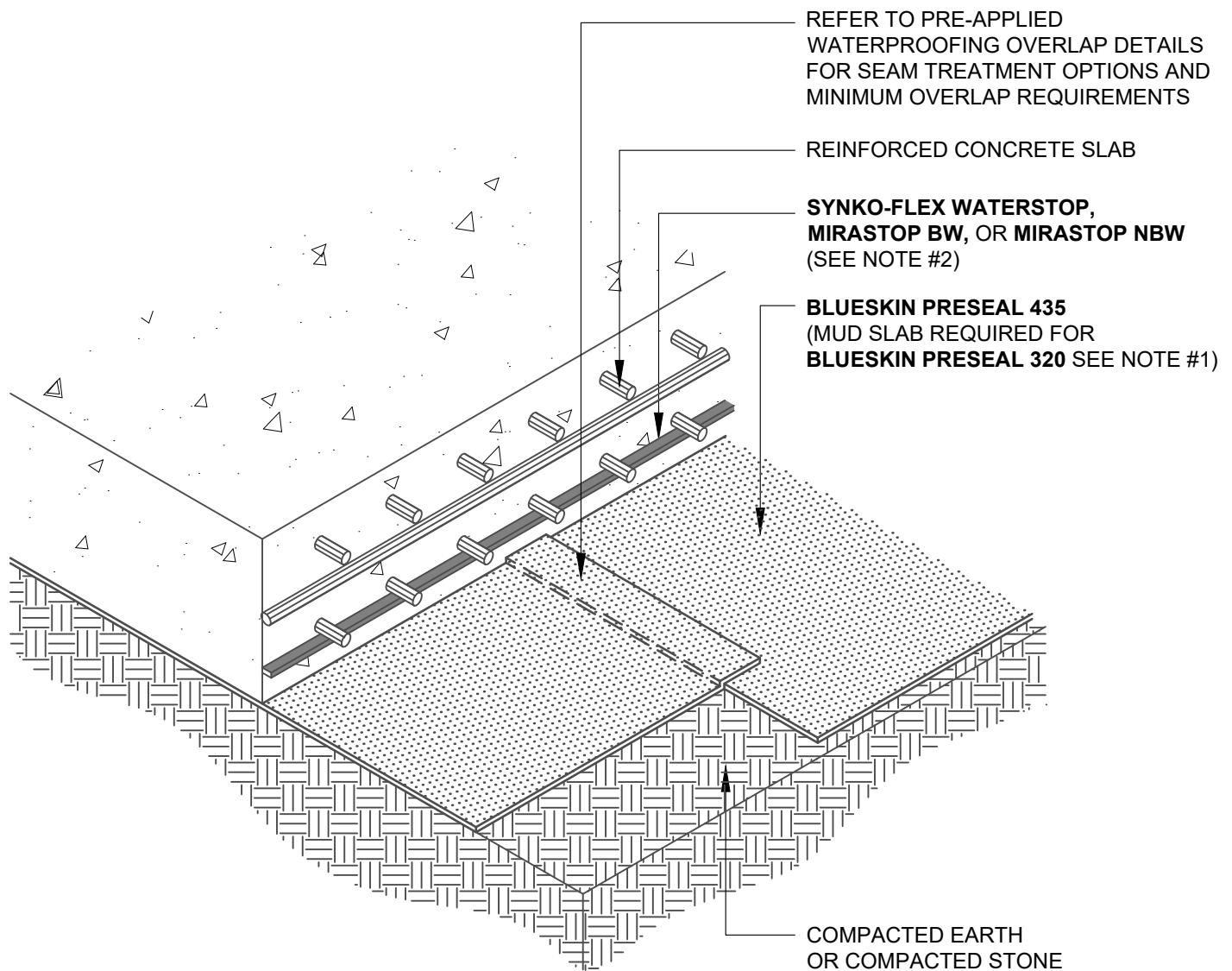
HENRY PRE-APPLIED WATERPROOFING SYSTEM

ASSEMBLY AT UNDER SLAB
BLUESKIN PRESEAL 320 OR BLUESKIN PRESEAL 435
DOUBLE REINFORCED SLAB ON MUD SLAB

SCALE: N.T.S.

03-10-2022

BSPS-0B1



NOTES:

1. DETAIL SHOWS HENRY PRE-APPLIED WATERPROOFING SYSTEM FOR APPLICATIONS USING HENRY **BLUESKIN PRESEAL 435**. REFER TO DETAIL BSPS-0B1 FOR APPLICATIONS USING **BLUESKIN PRESEAL 320**. SUBSTRATE SHOWN IS FOR REFERENCE ONLY.
2. APPLICATIONS USING SWELLABLE WATERSTOPS: 2" (50MM) MINIMUM CONCRETE COVERAGE ON ALL SIDES.
3. REFER TO PRODUCT SPECIFIC TECHNICAL DATA SHEET (TDS) AND GUIDE SPECIFICATION FOR INSTALLATION PROCEDURES.

Henry[®]

999 N. Pacific Coast Highway, Suite 800
El Segundo, CA 90245
800-486-1278 • www.henry.com

MANUFACTURER GUIDE DETAILS ARE FOR REFERENCE ONLY. HENRY DOES NOT ASSUME RESPONSIBILITY FOR ERRORS OR DEVIATIONS IN DESIGN OR ENGINEERING. PROJECT SPECIFIC VERIFICATION IS RECOMMENDED PRIOR TO INSTALLATION.

HENRY PRE-APPLIED WATERPROOFING SYSTEM

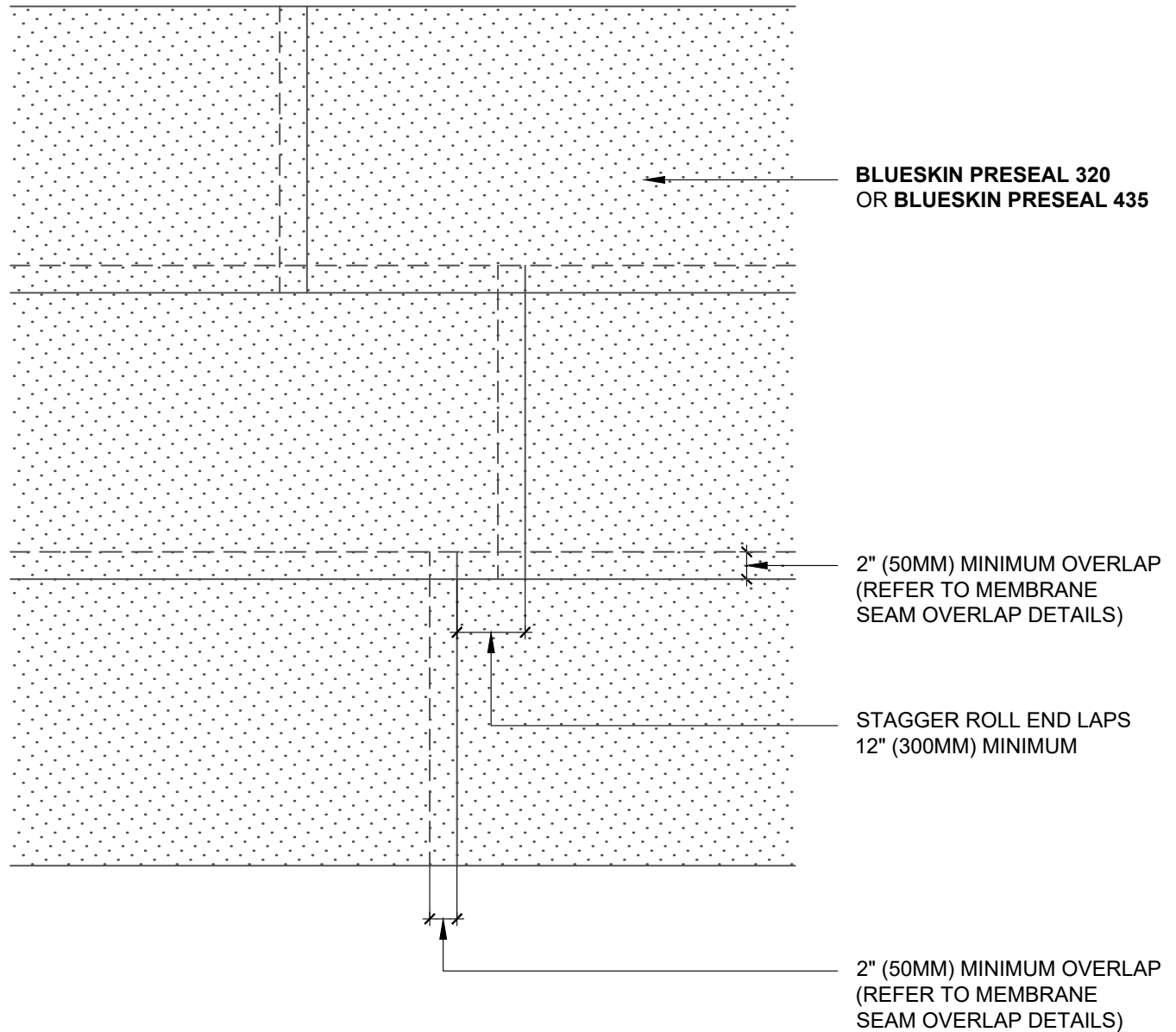
ASSEMBLY AT UNDER SLAB

BLUESKIN PRESEAL 435
DOUBLE REINFORCED SLAB ON COMPACTED EARTH

SCALE: N.T.S.

03-10-2022

BSPS-0B2



NOTES:

1. DETAIL SHOWS HENRY PRE-APPLIED WATERPROOFING SYSTEM FOR APPLICATIONS USING HENRY **BLUESKIN PRESEAL 320** OR **BLUESKIN PRESEAL 325**. SUBSTRATE SHOWN IS FOR REFERENCE ONLY.
2. REFER TO PRODUCT SPECIFIC TECHNICAL DATA SHEET (TDS) AND GUIDE SPECIFICATION FOR INSTALLATION PROCEDURES.

Henry[®]

999 N. Pacific Coast Highway, Suite 800
 El Segundo, CA 90245
 800-486-1278 • www.henry.com

MANUFACTURER GUIDE DETAILS ARE FOR REFERENCE ONLY. HENRY DOES NOT ASSUME RESPONSIBILITY FOR ERRORS OR DEVIATIONS IN DESIGN OR ENGINEERING. PROJECT SPECIFIC VERIFICATION IS RECOMMENDED PRIOR TO INSTALLATION.

HENRY PRE-APPLIED WATERPROOFING SYSTEM

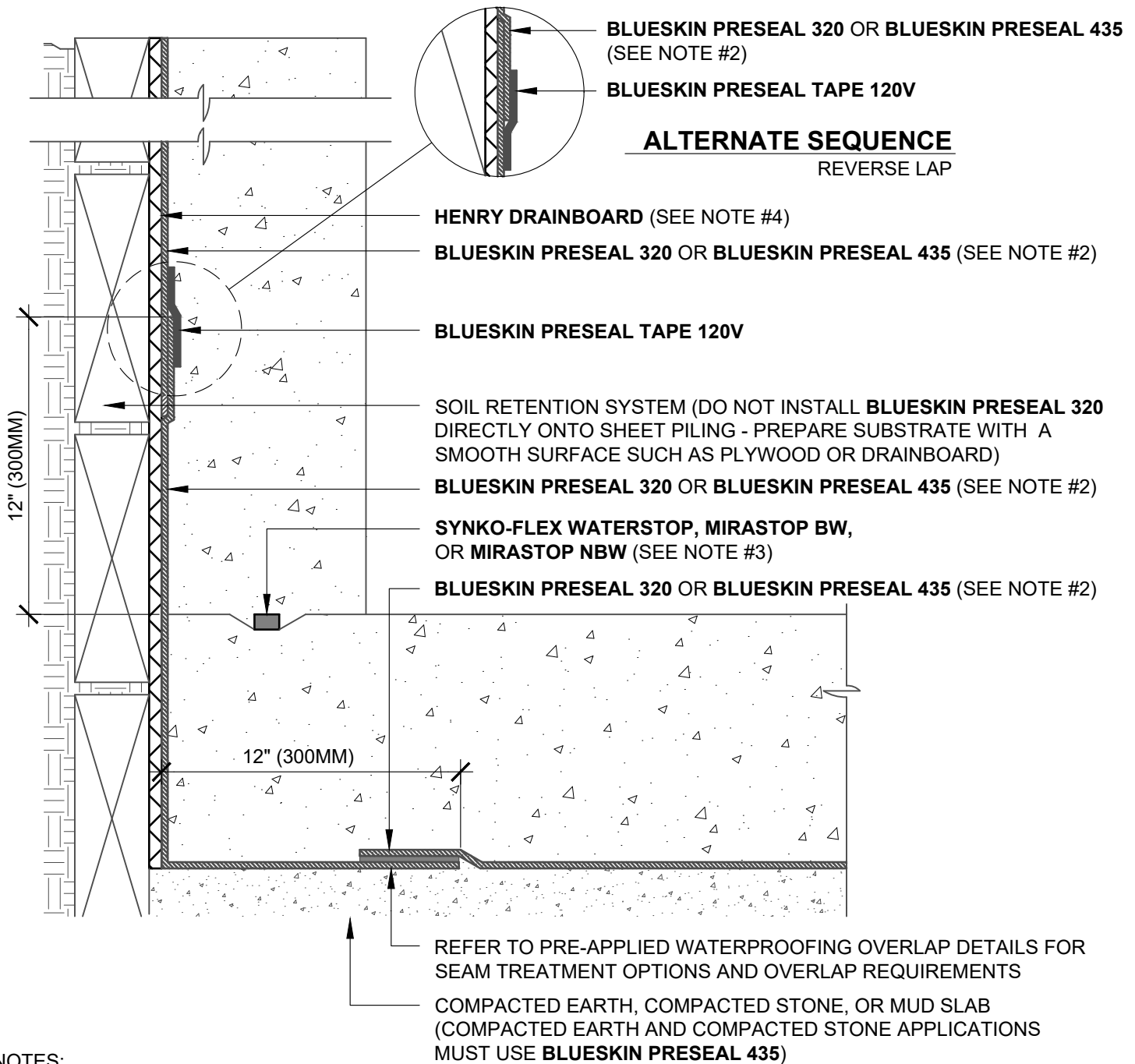
ASSEMBLY LAYOUT

**BLUESKIN PRESEAL 320 OR BLUESKIN PRESEAL 325
 FIELD MEMBRANE INSTALLATION**

SCALE: N.T.S.

04-01-2021

BSPS-0C



NOTES:

1. DETAIL SHOWS HENRY PRE-APPLIED WATERPROOFING SYSTEM FOR APPLICATIONS USING HENRY **BLUESKIN PRESEAL 320** OR **BLUESKIN PRESEAL 435**. SUBSTRATE SHOWN IS FOR REFERENCE ONLY.
2. HENRY **BLUESKIN PRESEAL 435** CAN BE INSTALLED DIRECTLY ONTO SHEET PILING. **BLUESKIN PRESEAL 320** REQUIRES A SMOOTH SURFACE SUCH AS PLYWOOD OR DRAINBOARD.
3. APPLICATIONS USING SWELLABLE WATERSTOPS: 2" (50MM) MINIMUM CONCRETE COVERAGE ON ALL SIDES.
4. HENRY RECOMMENDS THE USE OF A DRAINBOARD IN NON-HYDROSTATIC CONDITIONS, OR AS A SUBSTRATE PREPARATION.
5. REFER TO PRODUCT SPECIFIC TECHNICAL DATA SHEET (TDS) AND GUIDE SPECIFICATION FOR INSTALLATION PROCEDURES.

MANUFACTURER GUIDE DETAILS ARE FOR REFERENCE ONLY. HENRY DOES NOT ASSUME RESPONSIBILITY FOR ERRORS OR DEVIATIONS IN DESIGN OR ENGINEERING. PROJECT SPECIFIC VERIFICATION IS RECOMMENDED PRIOR TO INSTALLATION.

HENRY PRE-APPLIED WATERPROOFING SYSTEM

SLAB TO WALL TRANSITION
BLUESKIN PRESEAL 320 OR BLUESKIN PRESEAL 435
INSTALLED OVER LAGGING - HYDROSTATIC

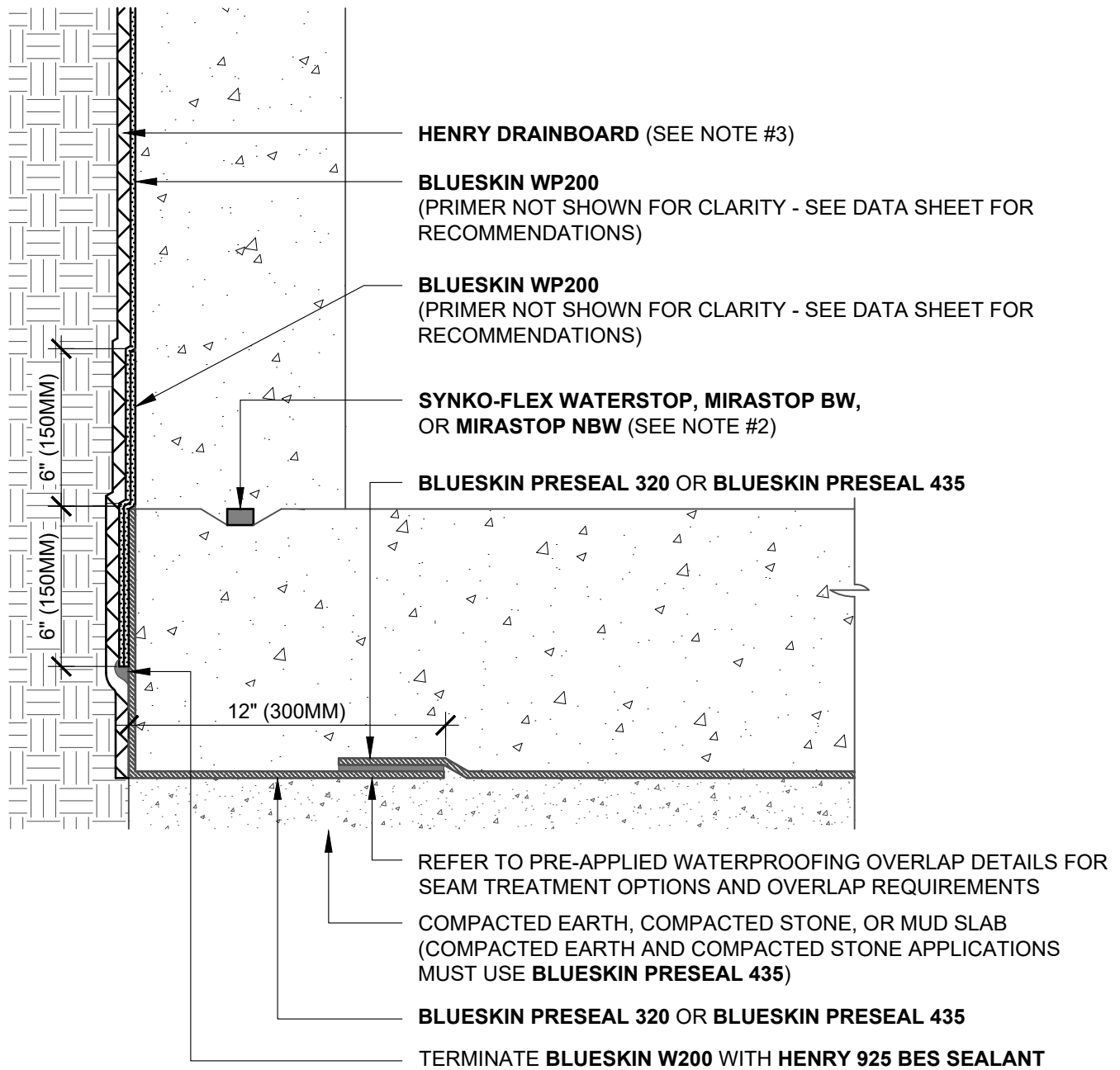
SCALE: N.T.S.

03-10-2022

BSPS-1A1

Henry[®]

999 N. Pacific Coast Highway, Suite 800
El Segundo, CA 90245
800-486-1278 • www.henry.com



NOTES:

1. DETAIL SHOWS HENRY PRE-APPLIED WATERPROOFING SYSTEM FOR APPLICATIONS USING HENRY **BLUESKIN PRESEAL 320** OR **BLUESKIN PRESEAL 435**. SUBSTRATE SHOWN IS FOR REFERENCE ONLY.
2. APPLICATIONS USING SWELLABLE WATERSTOPS: 2" (50MM) MINIMUM CONCRETE COVERAGE ON ALL SIDES.
3. HENRY RECOMMENDS THE USE OF A DRAINBOARD IN NON-HYDROSTATIC CONDITIONS, OR AS A PRE-APPLIED WATERPROOFING SUBSTRATE PREPARATION.
4. REFER TO PRODUCT SPECIFIC TECHNICAL DATA SHEET (TDS) AND GUIDE SPECIFICATION FOR INSTALLATION PROCEDURES.

Henry[®]

999 N. Pacific Coast Highway, Suite 800
El Segundo, CA 90245
800-486-1278 • www.henry.com

MANUFACTURER GUIDE DETAILS ARE FOR REFERENCE ONLY. HENRY DOES NOT ASSUME RESPONSIBILITY FOR ERRORS OR DEVIATIONS IN DESIGN OR ENGINEERING. PROJECT SPECIFIC VERIFICATION IS RECOMMENDED PRIOR TO INSTALLATION.

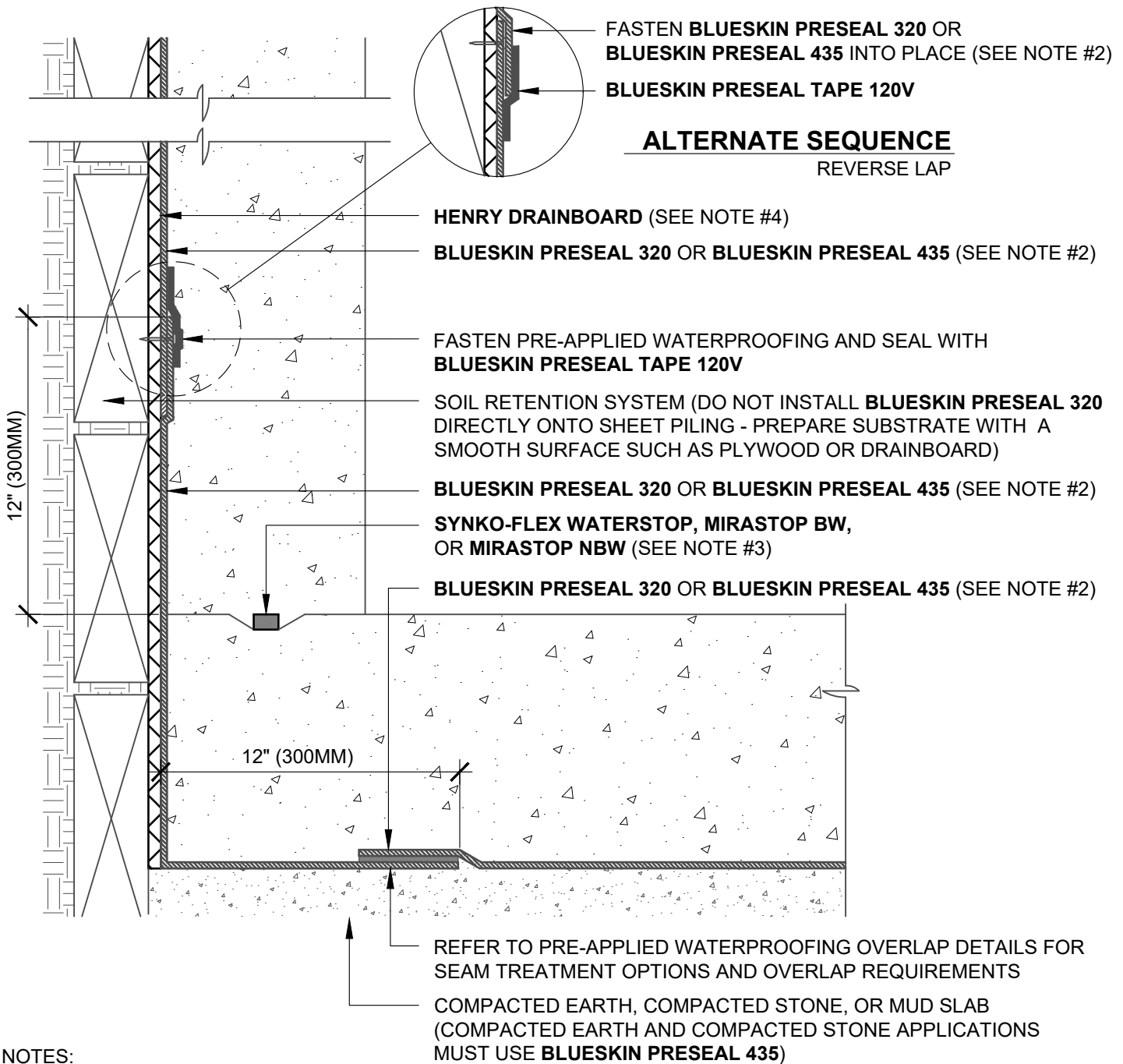
HENRY PRE-APPLIED WATERPROOFING SYSTEM

SLAB TO WALL TRANSITION
BLUESKIN PRESEAL 320 OR BLUESKIN PRESEAL 435
TRANSITION TO BLUESKIN WP200 ON VERTICAL WALL

SCALE: N.T.S.

03-10-2022

BSPS-1A2



NOTES:

1. DETAIL SHOWS HENRY PRE-APPLIED WATERPROOFING SYSTEM FOR APPLICATIONS USING HENRY **BLUESKIN PRESEAL 320** OR **BLUESKIN PRESEAL 435**. SUBSTRATE SHOWN IS FOR REFERENCE ONLY.
2. HENRY **BLUESKIN PRESEAL 435** CAN BE INSTALLED DIRECTLY ONTO SHEET PILING. **BLUESKIN PRESEAL 320** REQUIRES A SMOOTH SURFACE SUCH AS PLYWOOD OR DRAINBOARD.
3. APPLICATIONS USING SWELLABLE WATERSTOPS: 2" (50MM) MINIMUM CONCRETE COVERAGE ON ALL SIDES.
4. HENRY RECOMMENDS THE USE OF A DRAINBOARD IN NON-HYDROSTATIC CONDITIONS, OR AS A SUBSTRATE PREPARATION.
5. REFER TO PRODUCT SPECIFIC TECHNICAL DATA SHEET (TDS) AND GUIDE SPECIFICATION FOR INSTALLATION PROCEDURES.

Henry[®]

999 N. Pacific Coast Highway, Suite 800
 El Segundo, CA 90245
 800-486-1278 • www.henry.com

MANUFACTURER GUIDE DETAILS ARE FOR REFERENCE ONLY. HENRY DOES NOT ASSUME RESPONSIBILITY FOR ERRORS OR DEVIATIONS IN DESIGN OR ENGINEERING. PROJECT SPECIFIC VERIFICATION IS RECOMMENDED PRIOR TO INSTALLATION.

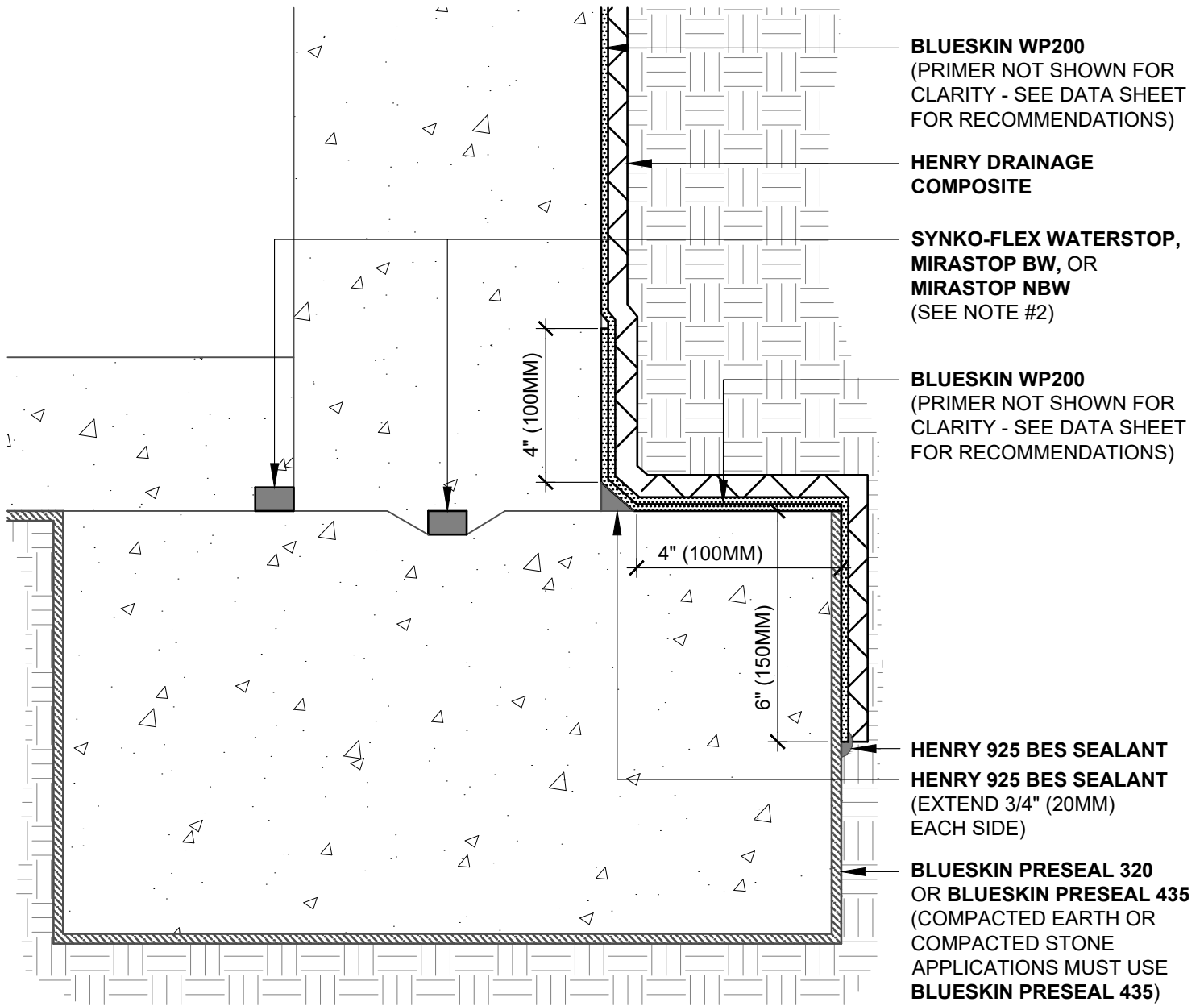
HENRY PRE-APPLIED WATERPROOFING SYSTEM

SLAB TO WALL TRANSITION
BLUESKIN PRESEAL 320 OR BLUESKIN PRESEAL 435
FASTENED ONTO LAGGING - HYDROSTATIC

SCALE: N.T.S.

03-10-2022

BSPS-1B1



NOTES:

1. DETAIL SHOWS HENRY PRE-APPLIED WATERPROOFING SYSTEM FOR APPLICATIONS USING HENRY **BLUESKIN PRESEAL 320** OR **BLUESKIN PRESEAL 435**. SUBSTRATE SHOWN IS FOR REFERENCE ONLY.
2. APPLICATIONS USING SWELLABLE WATERSTOPS: 2" (50MM) MINIMUM CONCRETE COVERAGE ON ALL SIDES.
3. HENRY RECOMMENDS THE USE OF A DRAINBOARD IN NON-HYDROSTATIC CONDITIONS, OR AS A SUBSTRATE PREPARATION.
4. REFER TO PRODUCT SPECIFIC TECHNICAL DATA SHEET (TDS) AND GUIDE SPECIFICATION FOR INSTALLATION PROCEDURES.

Henry[®]

999 N. Pacific Coast Highway, Suite 800
El Segundo, CA 90245
800-486-1278 • www.henry.com

MANUFACTURER GUIDE DETAILS ARE FOR REFERENCE ONLY. HENRY DOES NOT ASSUME RESPONSIBILITY FOR ERRORS OR DEVIATIONS IN DESIGN OR ENGINEERING. PROJECT SPECIFIC VERIFICATION IS RECOMMENDED PRIOR TO INSTALLATION.

HENRY PRE-APPLIED WATERPROOFING SYSTEM

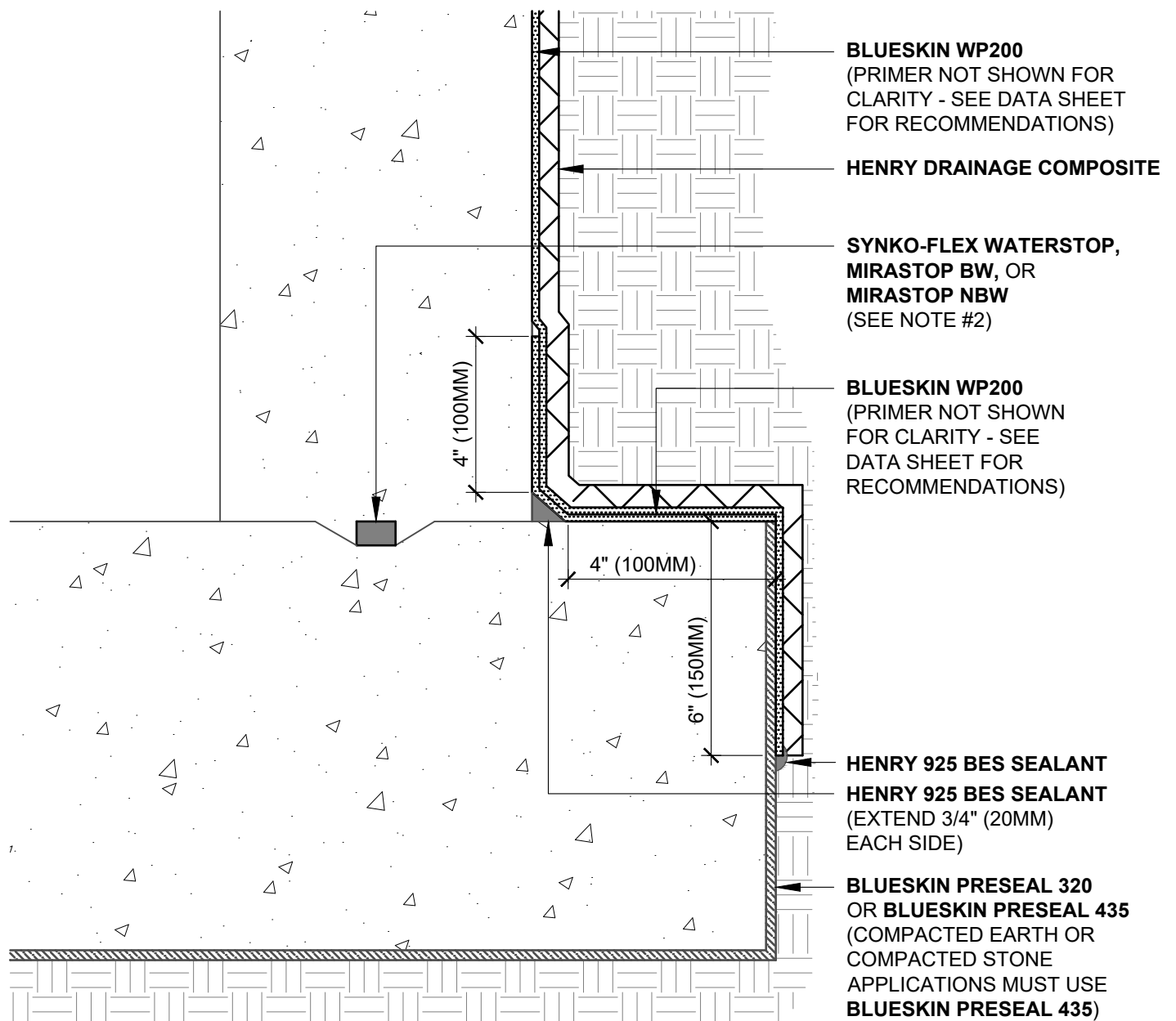
SLAB TO WALL TRANSITION

BLUESKIN PRESEAL 320 OR BLUESKIN PRESEAL 435
TRANSITION WITH BLUESKIN WP200 AT FOOTING

SCALE: N.T.S.

03-10-2022

BSPS-1C1



NOTES:

1. DETAIL SHOWS HENRY PRE-APPLIED WATERPROOFING SYSTEM FOR APPLICATIONS USING HENRY **BLUESKIN PRESEAL 320** OR **BLUESKIN PRESEAL 435**. SUBSTRATE SHOWN IS FOR REFERENCE ONLY.
2. APPLICATIONS USING SWELLABLE WATERSTOPS: 2" (50MM) MINIMUM CONCRETE COVERAGE ON ALL SIDES.
3. HENRY RECOMMENDS THE USE OF A DRAINBOARD IN NON-HYDROSTATIC CONDITIONS, OR AS A SUBSTRATE PREPARATION.
4. REFER TO PRODUCT SPECIFIC TECHNICAL DATA SHEET (TDS) AND GUIDE SPECIFICATION FOR INSTALLATION PROCEDURES.

MANUFACTURER GUIDE DETAILS ARE FOR REFERENCE ONLY. HENRY DOES NOT ASSUME RESPONSIBILITY FOR ERRORS OR DEVIATIONS IN DESIGN OR ENGINEERING. PROJECT SPECIFIC VERIFICATION IS RECOMMENDED PRIOR TO INSTALLATION.

HENRY PRE-APPLIED WATERPROOFING SYSTEM

SLAB TO WALL TRANSITION
BLUESKIN PRESEAL 320 OR BLUESKIN PRESEAL 435
TRANSITION WITH BLUESKIN WP200 AT SLAB

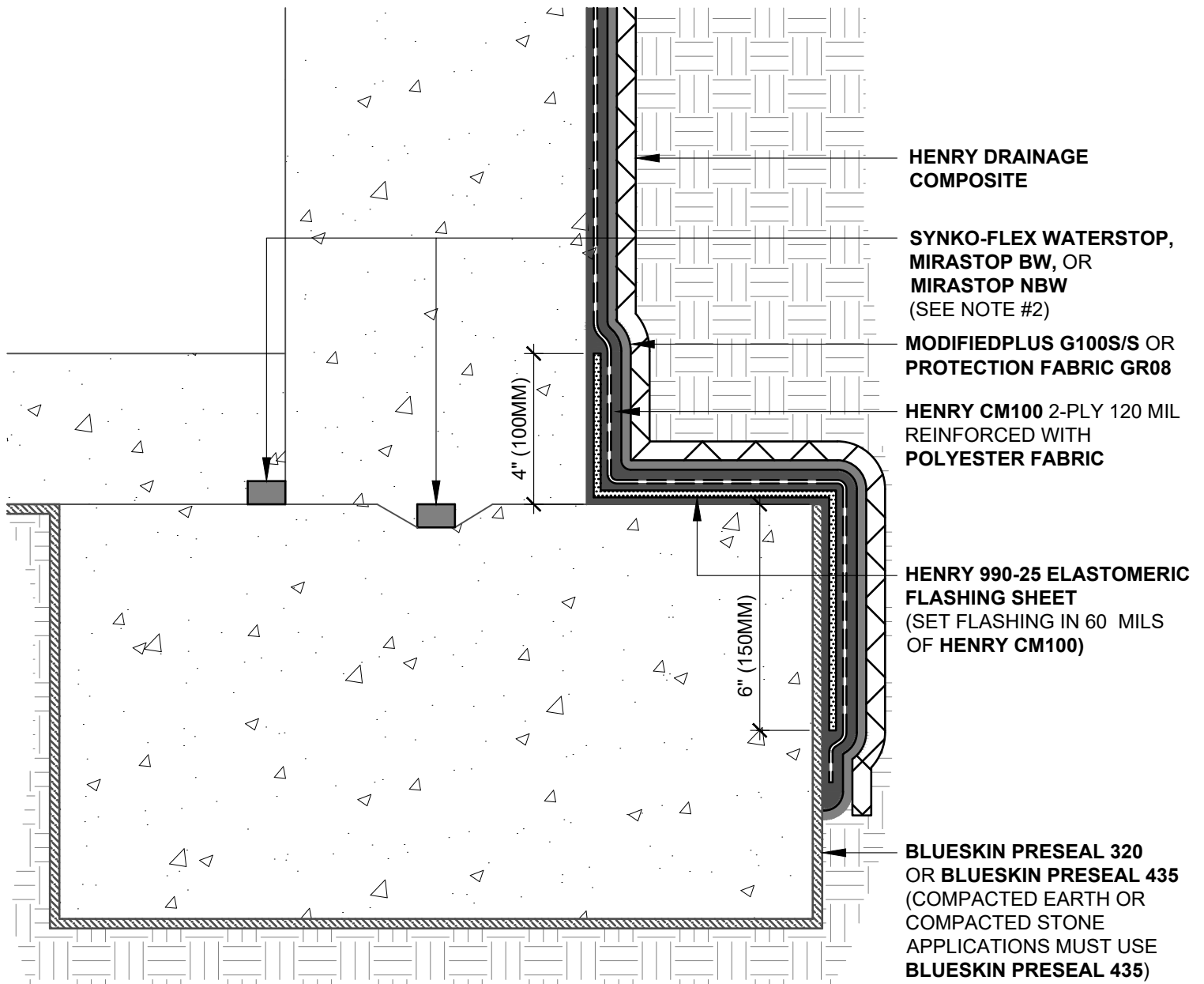
SCALE: N.T.S.

03-10-2022

BSPS-1C1C

Henry[®]

999 N. Pacific Coast Highway, Suite 800
El Segundo, CA 90245
800-486-1278 • www.henry.com



HENRY DRAINAGE COMPOSITE

SYNKO-FLEX WATERSTOP, MIRASTOP BW, OR MIRASTOP NBW (SEE NOTE #2)

MODIFIEDPLUS G100S/S OR PROTECTION FABRIC GR08

HENRY CM100 2-PLY 120 MIL REINFORCED WITH POLYESTER FABRIC

HENRY 990-25 ELASTOMERIC FLASHING SHEET (SET FLASHING IN 60 MILS OF HENRY CM100)

BLUESKIN PRESEAL 320 OR BLUESKIN PRESEAL 435 (COMPACTED EARTH OR COMPACTED STONE APPLICATIONS MUST USE BLUESKIN PRESEAL 435)

NOTES:

1. DETAIL SHOWS HENRY PRE-APPLIED WATERPROOFING SYSTEM FOR APPLICATIONS USING HENRY **BLUESKIN PRESEAL 320** OR **BLUESKIN PRESEAL 435**. SUBSTRATE SHOWN IS FOR REFERENCE ONLY.
2. APPLICATIONS USING SWELLABLE WATERSTOPS: 2" (50MM) MINIMUM CONCRETE COVERAGE ON ALL SIDES.
3. HENRY RECOMMENDS THE USE OF A DRAINBOARD IN NON-HYDROSTATIC CONDITIONS, OR AS A SUBSTRATE PREPARATION.
4. REFER TO PRODUCT SPECIFIC TECHNICAL DATA SHEET (TDS) AND GUIDE SPECIFICATION FOR INSTALLATION PROCEDURES.

MANUFACTURER GUIDE DETAILS ARE FOR REFERENCE ONLY. HENRY DOES NOT ASSUME RESPONSIBILITY FOR ERRORS OR DEVIATIONS IN DESIGN OR ENGINEERING. PROJECT SPECIFIC VERIFICATION IS RECOMMENDED PRIOR TO INSTALLATION.

HENRY PRE-APPLIED WATERPROOFING SYSTEM

**SLAB TO WALL TRANSITION
BLUESKIN PRESEAL 320 OR BLUESKIN PRESEAL 435
TRANSITION WITH HENRY CM100 AT FOOTING**

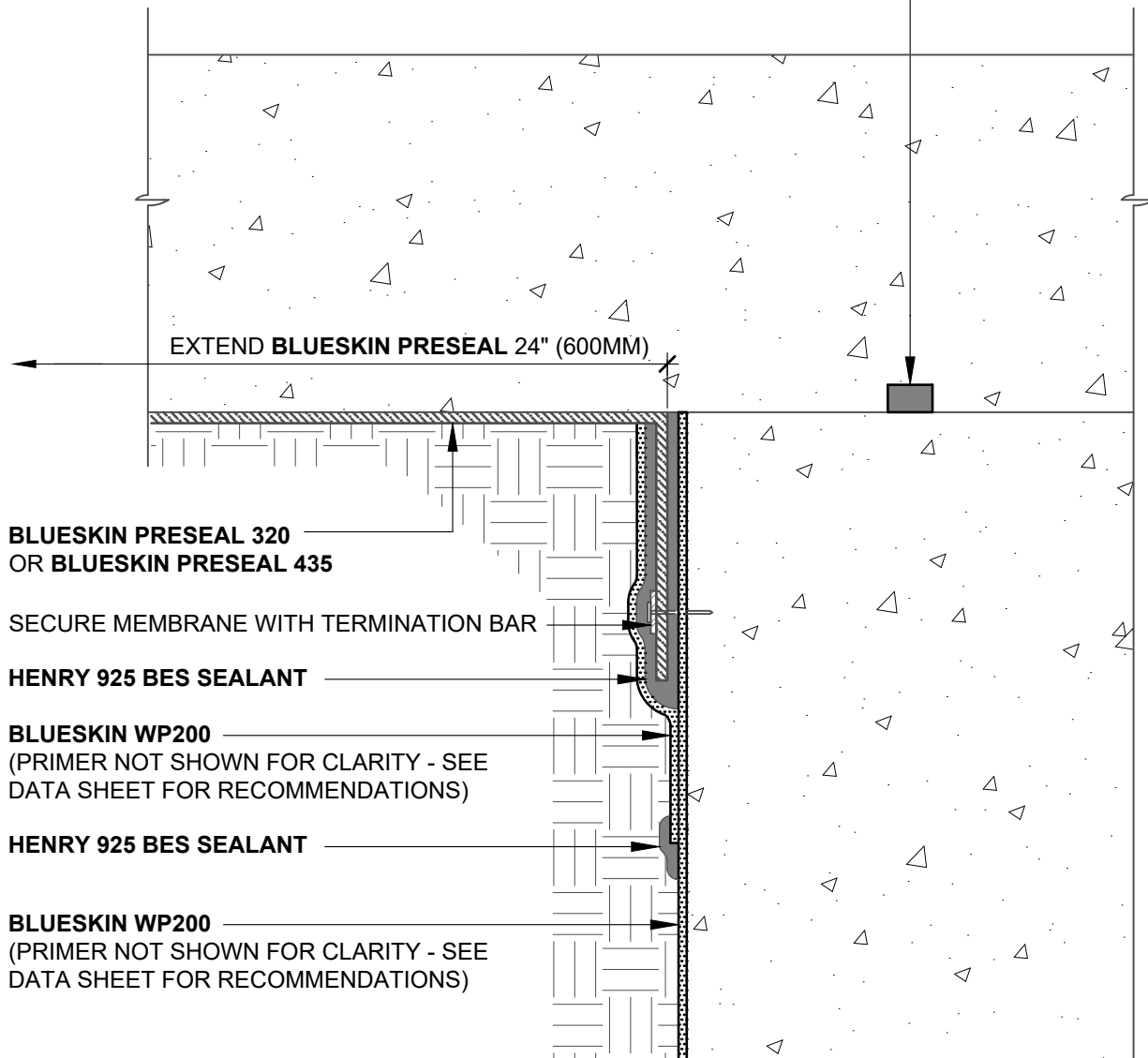
SCALE: N.T.S. 03-10-2022

BSPS-1C2

Henry[®]

999 N. Pacific Coast Highway, Suite 800
El Segundo, CA 90245
800-486-1278 • www.henry.com

SYNKO-FLEX WATERSTOP, MIRASTOP BW, OR MIRASTOP NBW
 (SEE NOTE #2)



BLUESKIN PRESEAL 320
 OR **BLUESKIN PRESEAL 435**

SECURE MEMBRANE WITH TERMINATION BAR

HENRY 925 BES SEALANT

BLUESKIN WP200
 (PRIMER NOT SHOWN FOR CLARITY - SEE
 DATA SHEET FOR RECOMMENDATIONS)

HENRY 925 BES SEALANT

BLUESKIN WP200
 (PRIMER NOT SHOWN FOR CLARITY - SEE
 DATA SHEET FOR RECOMMENDATIONS)

NOTES:

1. DETAIL SHOWS HENRY PRE-APPLIED WATERPROOFING SYSTEM FOR APPLICATIONS USING HENRY **BLUESKIN PRESEAL 320** OR **BLUESKIN PRESEAL 435**. SUBSTRATE SHOWN IS FOR REFERENCE ONLY.
2. APPLICATIONS USING SWEALLABLE WATERSTOPS: 2" (50MM) MINIMUM CONCRETE COVERAGE ON ALL SIDES.
3. HENRY RECOMMENDS THE USE OF A DRAINBOARD IN NON-HYDROSTATIC CONDITIONS, OR AS A SUBSTRATE PREPARATION.
4. REFER TO PRODUCT SPECIFIC TECHNICAL DATA SHEET (TDS) AND GUIDE SPECIFICATION FOR INSTALLATION PROCEDURES.

MANUFACTURER GUIDE DETAILS ARE FOR REFERENCE ONLY. HENRY DOES NOT ASSUME RESPONSIBILITY FOR ERRORS OR DEVIATIONS IN DESIGN OR ENGINEERING. PROJECT SPECIFIC VERIFICATION IS RECOMMENDED PRIOR TO INSTALLATION.

HENRY PRE-APPLIED WATERPROOFING SYSTEM

ELEVATED SLAB

BLUESKIN PRESEAL 320 OR BLUESKIN PRESEAL 435
TIE-IN TO BLUESKIN WP200 AT FOOTING/GRADE BEAM

SCALE: N.T.S.

03-10-2022

BSPS-1E1

Henry[®]

999 N. Pacific Coast Highway, Suite 800
 El Segundo, CA 90245
 800-486-1278 • www.henry.com

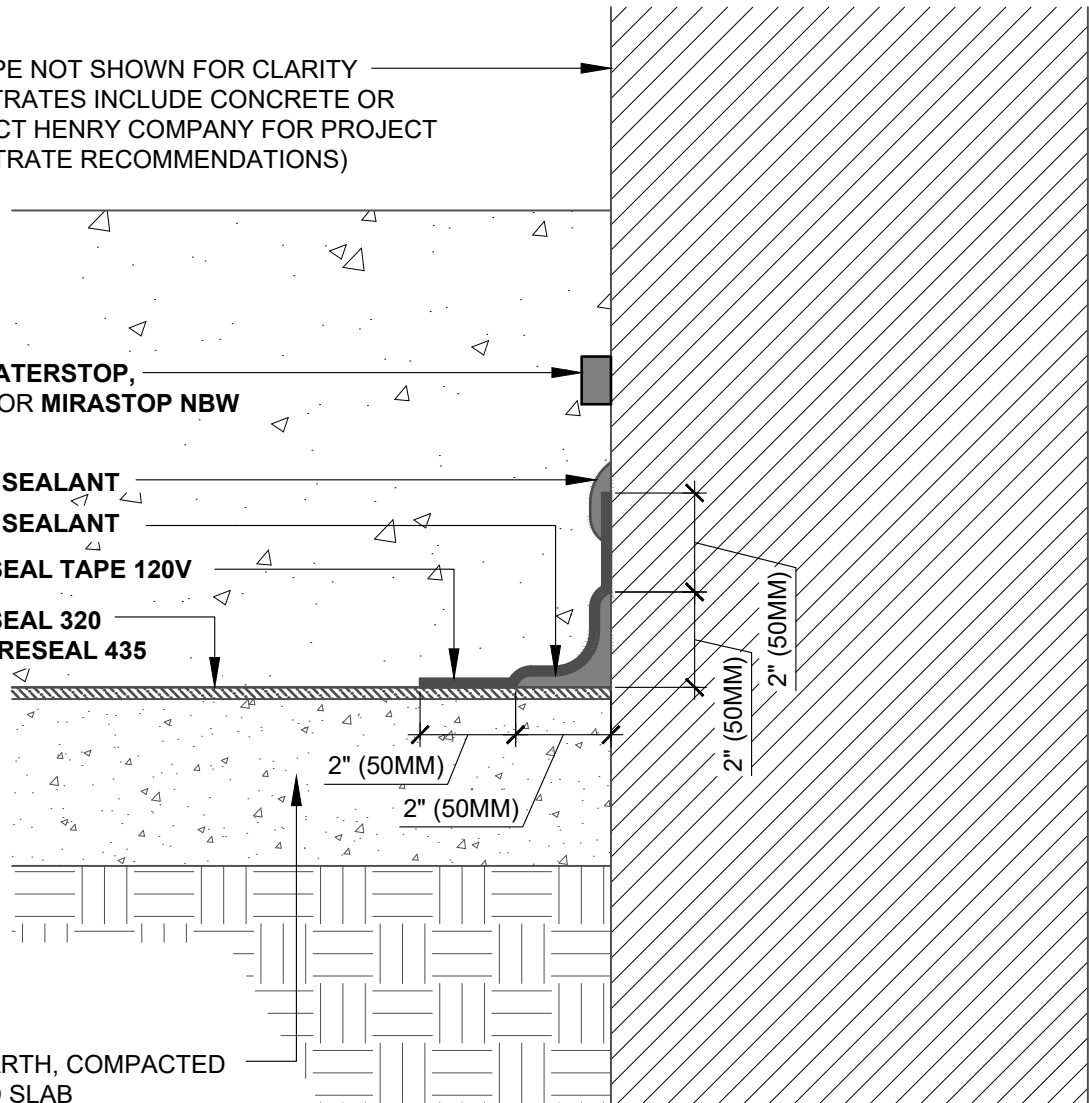
SUBSTRATE TYPE NOT SHOWN FOR CLARITY
(TYPICAL SUBSTRATES INCLUDE CONCRETE OR
METAL - CONTACT HENRY COMPANY FOR PROJECT
SPECIFIC SUBSTRATE RECOMMENDATIONS)

SYNKO-FLEX WATERSTOP,
MIRASTOP BW, OR MIRASTOP NBW
(SEE NOTE #2)

HENRY 925 BES SEALANT
HENRY 925 BES SEALANT

BLUESKIN PRESEAL TAPE 120V

BLUESKIN PRESEAL 320
OR BLUESKIN PRESEAL 435



COMPACTED EARTH, COMPACTED
STONE, OR MUD SLAB
(COMPACTED EARTH AND
COMPACTED STONE APPLICATIONS
MUST USE **BLUESKIN PRESEAL 435**)

NOTES:

1. DETAIL SHOWS HENRY PRE-APPLIED WATERPROOFING SYSTEM FOR APPLICATIONS USING HENRY **BLUESKIN PRESEAL 320** OR **BLUESKIN PRESEAL 435**. SUBSTRATE SHOWN IS FOR REFERENCE ONLY.
2. APPLICATIONS USING SWELLABLE WATERSTOPS: 2" (50MM) MINIMUM CONCRETE COVERAGE ON ALL SIDES.
3. REFER TO PRODUCT SPECIFIC TECHNICAL DATA SHEET (TDS) AND GUIDE SPECIFICATION FOR INSTALLATION PROCEDURES.

Henry[®]

999 N. Pacific Coast Highway, Suite 800
El Segundo, CA 90245
800-486-1278 • www.henry.com

MANUFACTURER GUIDE DETAILS ARE FOR REFERENCE ONLY. HENRY DOES NOT ASSUME RESPONSIBILITY FOR ERRORS OR DEVIATIONS IN DESIGN OR ENGINEERING. PROJECT SPECIFIC VERIFICATION IS RECOMMENDED PRIOR TO INSTALLATION.

HENRY PRE-APPLIED WATERPROOFING SYSTEM

**STRAIGHT EDGE
PENETRATION**

SCALE: N.T.S.

03-10-2022

BSPS-1F1A

HENRY DRAINBOARD (SEE NOTE #4)
BLUESKIN PRESEAL 320
 OR **BLUESKIN PRESEAL 435** (SEE NOTE #2)

COAT METAL TIE-BACK COVER
 WITH **HENRY 925 BES SEALANT**
BLUESKIN PRESEAL TAPE 50S

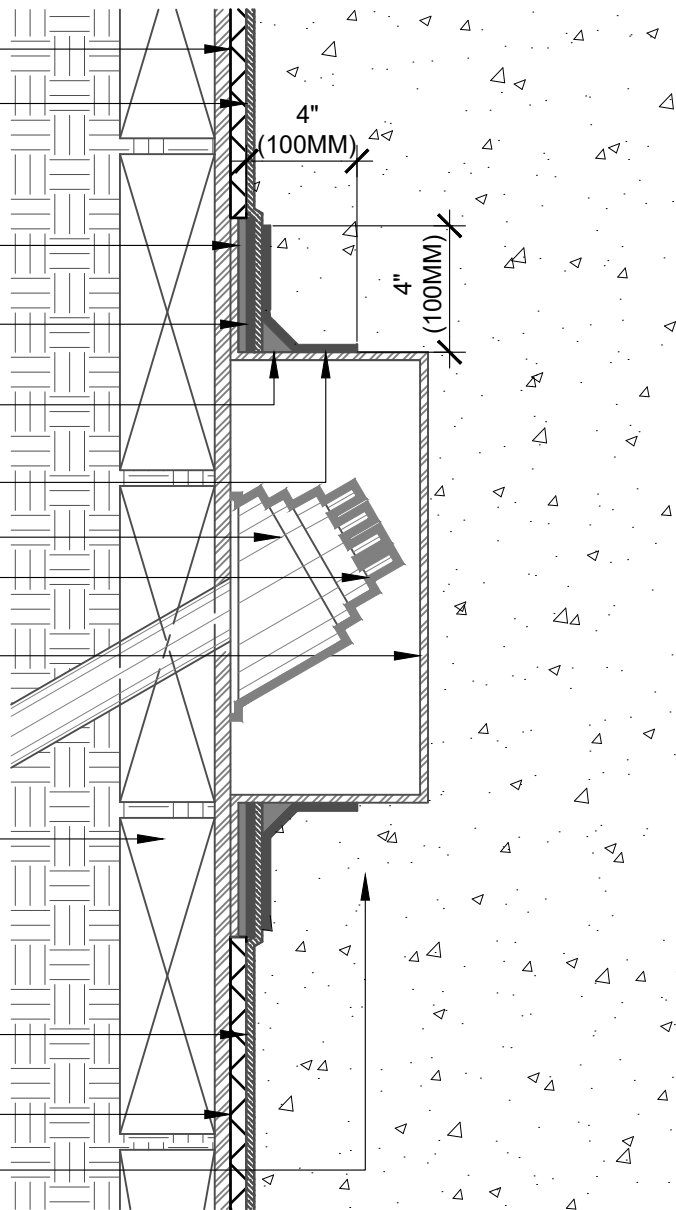
HENRY 925 BES SEALANT
 (EXTEND 3/4" (20MM) EACH SIDE)
BLUESKIN PRESEAL TAPE 120V

TIE-BACK HEAD
 COAT METAL TIE-BACK HEAD WITH
HENRY 925 BES SEALANT
 22 GAUGE MINIMUM SHEET METAL
 TIE-BACK COVER (BY OTHERS)

SOIL RETENTION SYSTEM
 (DO NOT INSTALL **BLUESKIN PRESEAL 320**
 DIRECTLY ONTO SHEET PILING - PREPARE
 SUBSTRATE WITH A SMOOTH SURFACE
 SUCH AS PLYWOOD OR DRAINBOARD)

BLUESKIN PRESEAL 320
 OR **BLUESKIN PRESEAL 435** (SEE NOTE #2)
HENRY DRAINBOARD (SEE NOTE #4)

TAKE PRECAUTION TO ENSURE CONCRETE
 CONSOLIDATION UNDER TIE-BACK COVER



NOTES:

1. DETAIL SHOWS HENRY PRE-APPLIED WATERPROOFING SYSTEM FOR APPLICATIONS USING HENRY **BLUESKIN PRESEAL 320** OR **BLUESKIN PRESEAL 435**. SUBSTRATE SHOWN IS FOR REFERENCE ONLY.
2. HENRY **BLUESKIN PRESEAL 435** CAN BE INSTALLED DIRECTLY ONTO SHEET PILING. **BLUESKIN PRESEAL 320** REQUIRES A SMOOTH SURFACE SUCH AS PLYWOOD OR DRAINBOARD.
3. HENRY RECOMMENDS THE USE OF A DRAINBOARD IN NON-HYDROSTATIC CONDITIONS, OR AS A SUBSTRATE PREPARATION.
4. CREATE RELIEF CUTS AS REQUIRED TO INSTALL THE HENRY PRE-APPLIED WATERPROOFING SYSTEM AROUND TIE-BACK COVER. SEAL CUTS WITH **BLUESKIN PRESEAL TAPE 50S**.
5. REFER TO PRODUCT SPECIFIC TECHNICAL DATA SHEET (TDS) AND GUIDE SPECIFICATION FOR INSTALLATION PROCEDURES.

Henry[®]

999 N. Pacific Coast Highway, Suite 800
 El Segundo, CA 90245
 800-486-1278 • www.henry.com

MANUFACTURER GUIDE DETAILS ARE FOR REFERENCE ONLY. HENRY DOES NOT ASSUME RESPONSIBILITY FOR ERRORS OR DEVIATIONS IN DESIGN OR ENGINEERING. PROJECT SPECIFIC VERIFICATION IS RECOMMENDED PRIOR TO INSTALLATION.

HENRY PRE-APPLIED WATERPROOFING SYSTEM

METAL TIE-BACK COVER

**BLUESKIN PRESEAL 320 OR BLUESKIN PRESEAL 435
 METAL TIE-BACK COVER**

SCALE: N.T.S.

04-01-2021

BSPS-2A1

BLUESKIN PRESEAL 320
OR **BLUESKIN PRESEAL 435**
(UNDER SLAB PRE-APPLIED WATERPROOFING)

HENRY DRAINBOARD (SEE NOTE #3)

BLUESKIN PRESEAL 320
OR **BLUESKIN PRESEAL 435** (SEE NOTE #2)

SEAL PRE-APPLIED WATERPROOFING SEAMS
WITH **BLUESKIN PRESEAL TAPE 120V**

SOLDIER PILE

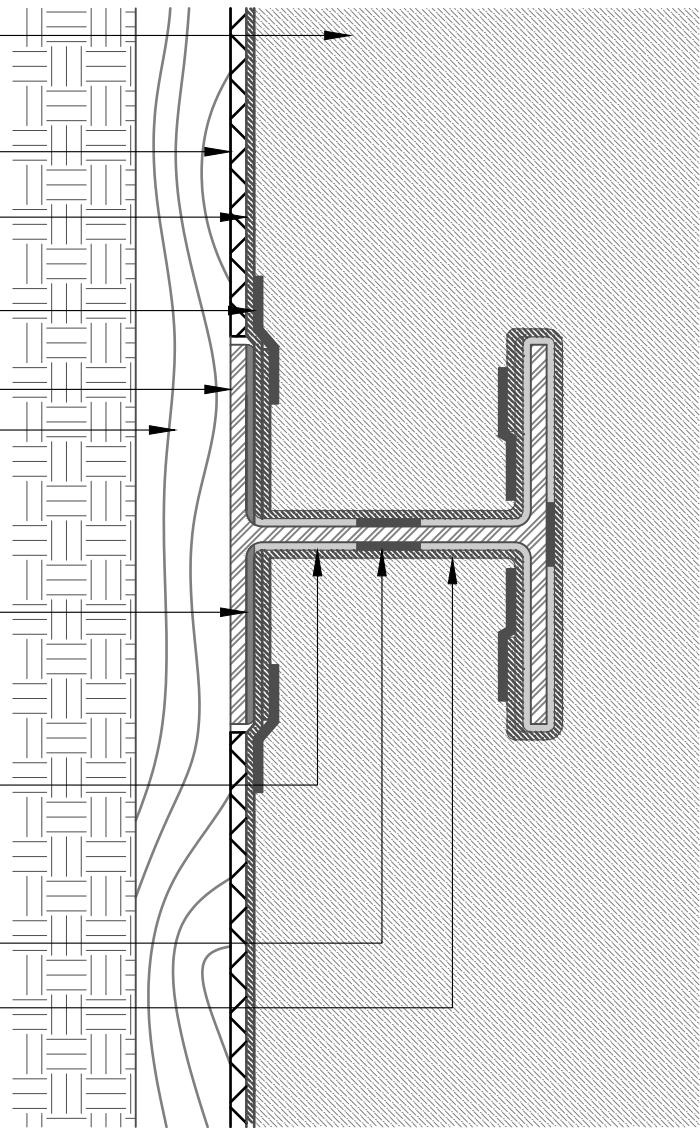
SOIL RETENTION SYSTEM
(DO NOT INSTALL **BLUESKIN PRESEAL 320**
DIRECTLY ONTO SHEET PILING - PREPARE
SUBSTRATE WITH A SMOOTH SURFACE SUCH
AS PLYWOOD OR DRAINBOARD)

SET PRE-APPLIED WATERPROOFING INTO
WET **HENRY 925 BES SEALANT**
(ATTACH WITH **BLUESKIN PRESEAL TAPE 50S**
IF INSTALLING OVER CURED SEALANT)

SEAL BASE OF **SOLDIER PILE** WITH A CANT
BEAD OF **HENRY 925 BES SEALANT** TO COVER
METAL TO UNDER SLAB PRE-APPLIED
WATERPROOFING CONNECTION

BLUESKIN PRESEAL TAPE 50S

BLUESKIN PRESEAL 320
OR **BLUESKIN PRESEAL 435** (SEE NOTE #2)



PLAN VIEW - TIE-IN AT UNDER SLAB WATERPROOFING
SOLDIER PILE AT WOOD LAGGING

NOTES:

1. DETAIL SHOWS HENRY PRE-APPLIED WATERPROOFING SYSTEM FOR APPLICATIONS USING HENRY **BLUESKIN PRESEAL 320** OR **BLUESKIN PRESEAL 435**. SUBSTRATE SHOWN IS FOR REFERENCE ONLY.
2. HENRY **BLUESKIN PRESEAL 435** CAN BE INSTALLED DIRECTLY ONTO SHEET PILING. **BLUESKIN PRESEAL 320** REQUIRES A SMOOTH SURFACE SUCH AS PLYWOOD OR DRAINBOARD.
3. HENRY RECOMMENDS THE USE OF A DRAINBOARD IN NON-HYDROSTATIC CONDITIONS, OR AS A SUBSTRATE PREPARATION.
4. REFER TO PRODUCT SPECIFIC TECHNICAL DATA SHEET (TDS) AND GUIDE SPECIFICATION FOR INSTALLATION PROCEDURES.



999 N. Pacific Coast Highway, Suite 800
El Segundo, CA 90245
800-486-1278 • www.henry.com

MANUFACTURER GUIDE DETAILS ARE FOR REFERENCE ONLY. HENRY DOES NOT ASSUME RESPONSIBILITY FOR ERRORS OR DEVIATIONS IN DESIGN OR ENGINEERING. PROJECT SPECIFIC VERIFICATION IS RECOMMENDED PRIOR TO INSTALLATION.

HENRY PRE-APPLIED WATERPROOFING SYSTEM

SOLDIER PILE

BLUESKIN PRESEAL 320 OR BLUESKIN PRESEAL 435
BACK-LAGGED SOLDIER PILE - HYDROSTATIC

SCALE: N.T.S.

04-01-2021

BSPS-2B1A

HENRY DRAINBOARD (SEE NOTE #3)

BLUESKIN PRESEAL 320
OR **BLUESKIN PRESEAL 435** (SEE NOTE #2)

SOIL RETENTION SYSTEM
(DO NOT INSTALL **BLUESKIN PRESEAL 320**
DIRECTLY ONTO SHEET PILING - PREPARE
SUBSTRATE WITH A SMOOTH SURFACE
SUCH AS PLYWOOD OR DRAINBOARD)

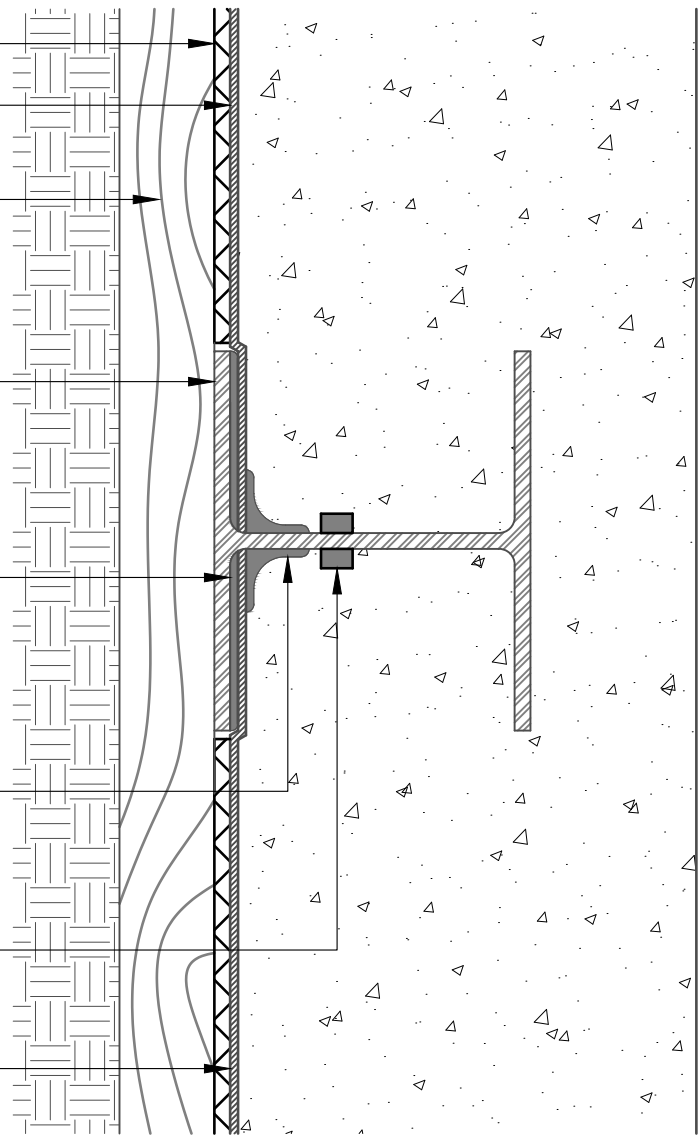
SOLDIER PILE

SET PRE-APPLIED WATERPROOFING INTO
WET **HENRY 925 BES SEALANT**
(ATTACH WITH **BLUESKIN PRESEAL TAPE 50S**
IF INSTALLING OVER CURED SEALANT)

SEAL SOLDIER PILE WITH A 2" X 2"
(50MM X 50MM) FILLET OF **HENRY 925 BES
SEALANT** TO COVER METAL TO VERTICAL
PRE-APPLIED WATERPROOFING CONNECTION

HYDRO-FLEX WATERSTOP
(2" (50MM) MINIMUM CONCRETE
COVERAGE ON ALL SIDES)

BLUESKIN PRESEAL 320
OR **BLUESKIN PRESEAL 435** (SEE NOTE #2)



PLAN VIEW - NO TIE-IN AT UNDER SLAB WATERPROOFING

SOLDIER PILE AT WOOD LAGGING

NOTES:

1. DETAIL SHOWS HENRY PRE-APPLIED WATERPROOFING SYSTEM FOR APPLICATIONS USING HENRY **BLUESKIN PRESEAL 320** OR **BLUESKIN PRESEAL 435**. SUBSTRATE SHOWN IS FOR REFERENCE ONLY.
2. HENRY **BLUESKIN PRESEAL 435** CAN BE INSTALLED DIRECTLY ONTO SHEET PILING. **BLUESKIN PRESEAL 320** REQUIRES A SMOOTH SURFACE SUCH AS PLYWOOD OR DRAINBOARD.
3. HENRY RECOMMENDS THE USE OF A DRAINBOARD IN NON-HYDROSTATIC CONDITIONS, OR AS A SUBSTRATE PREPARATION.
4. REFER TO PRODUCT SPECIFIC TECHNICAL DATA SHEET (TDS) AND GUIDE SPECIFICATION FOR INSTALLATION PROCEDURES.

Henry[®]

999 N. Pacific Coast Highway, Suite 800
El Segundo, CA 90245
800-486-1278 • www.henry.com

MANUFACTURER GUIDE DETAILS ARE FOR REFERENCE ONLY. HENRY DOES NOT ASSUME RESPONSIBILITY FOR ERRORS OR DEVIATIONS IN DESIGN OR ENGINEERING. PROJECT SPECIFIC VERIFICATION IS RECOMMENDED PRIOR TO INSTALLATION.

HENRY PRE-APPLIED WATERPROOFING SYSTEM

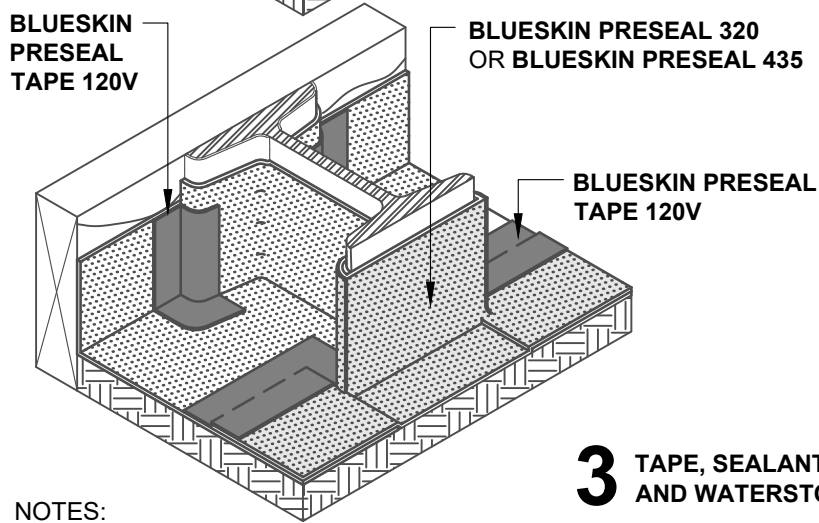
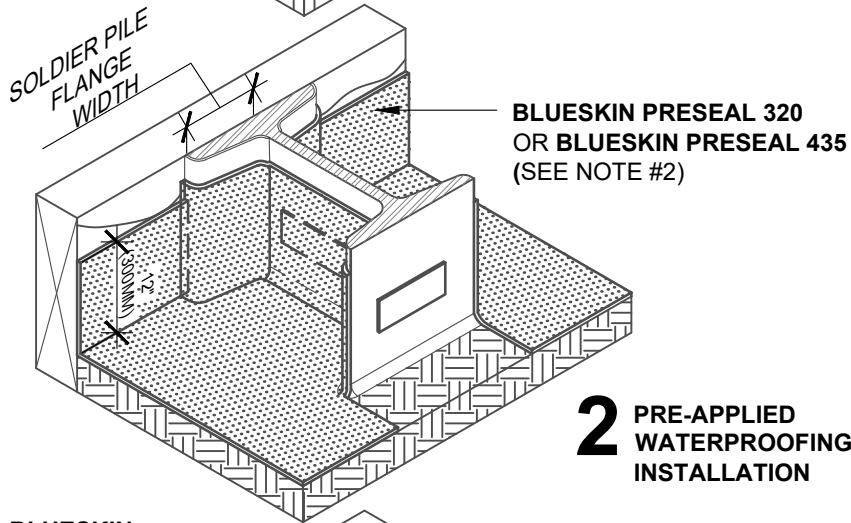
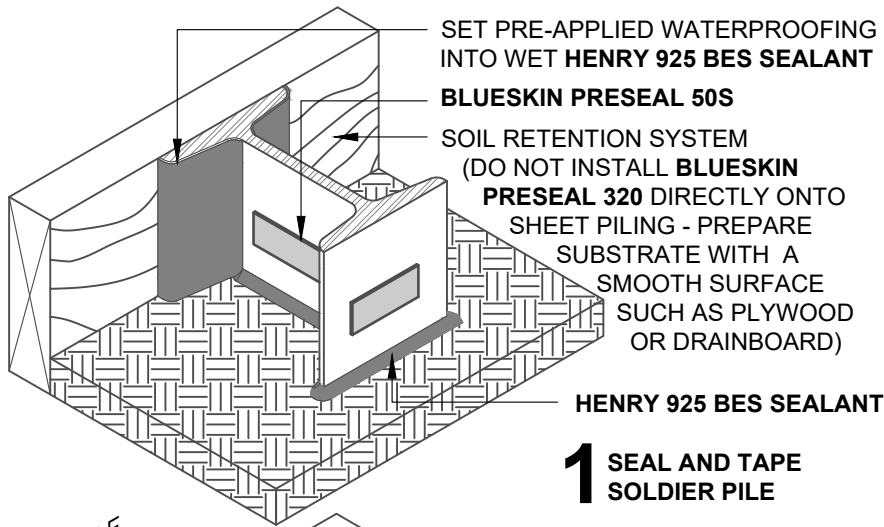
SOLDIER PILE

**BLUESKIN PRESEAL 320 OR BLUESKIN PRESEAL 435
BACK-LAGGED SOLDIER PILE - NON-HYDROSTATIC**

SCALE: N.T.S.

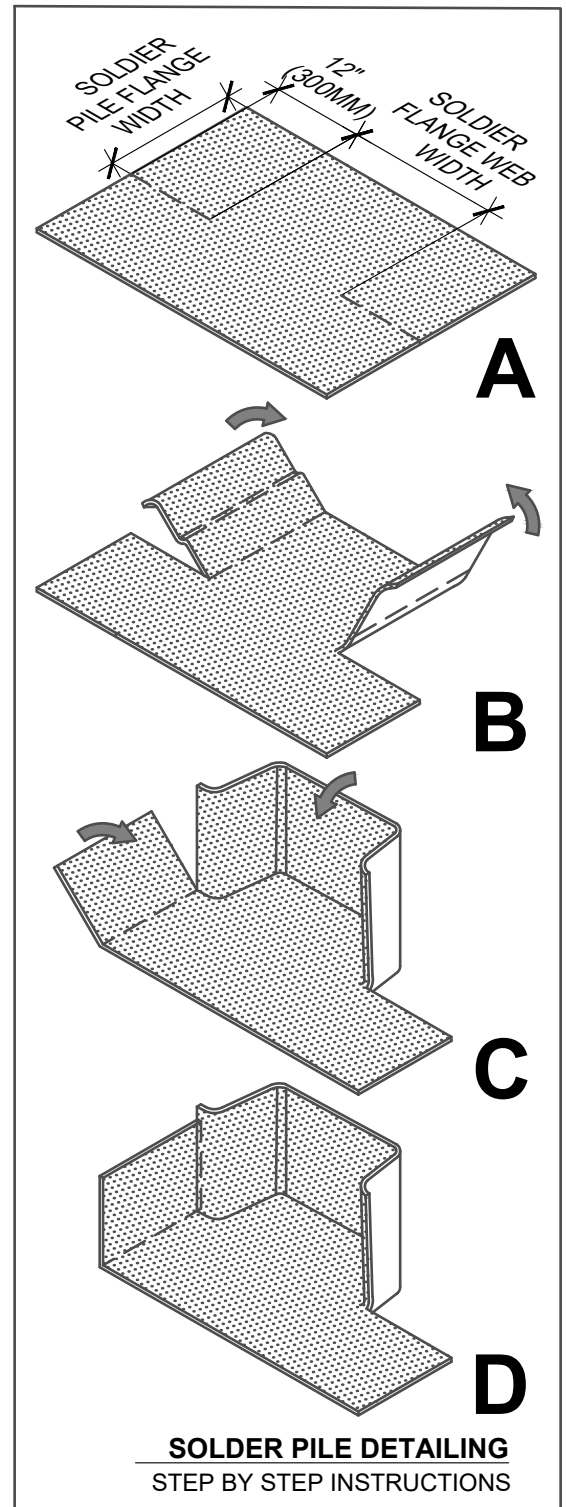
04-01-2021

BSPS-2B1B



NOTES:

1. DETAIL SHOWS HENRY PRE-APPLIED WATERPROOFING SYSTEM FOR APPLICATIONS USING HENRY **BLUESKIN PRESEAL 320** OR **BLUESKIN PRESEAL 435**. SUBSTRATE SHOWN IS FOR REFERENCE ONLY.
2. HENRY **BLUESKIN PRESEAL 435** CAN BE INSTALLED DIRECTLY ONTO SHEET PILING. **BLUESKIN PRESEAL 320** REQUIRES A SMOOTH SURFACE SUCH AS PLYWOOD OR DRAINBOARD. SEE DETAIL BSPS-2A2A.



Henry[®]

999 N. Pacific Coast Highway, Suite 800
El Segundo, CA 90245
800-486-1278 • www.henry.com

MANUFACTURER GUIDE DETAILS ARE FOR REFERENCE ONLY. HENRY DOES NOT ASSUME RESPONSIBILITY FOR ERRORS OR DEVIATIONS IN DESIGN OR ENGINEERING. PROJECT SPECIFIC VERIFICATION IS RECOMMENDED PRIOR TO INSTALLATION.

HENRY PRE-APPLIED WATERPROOFING SYSTEM

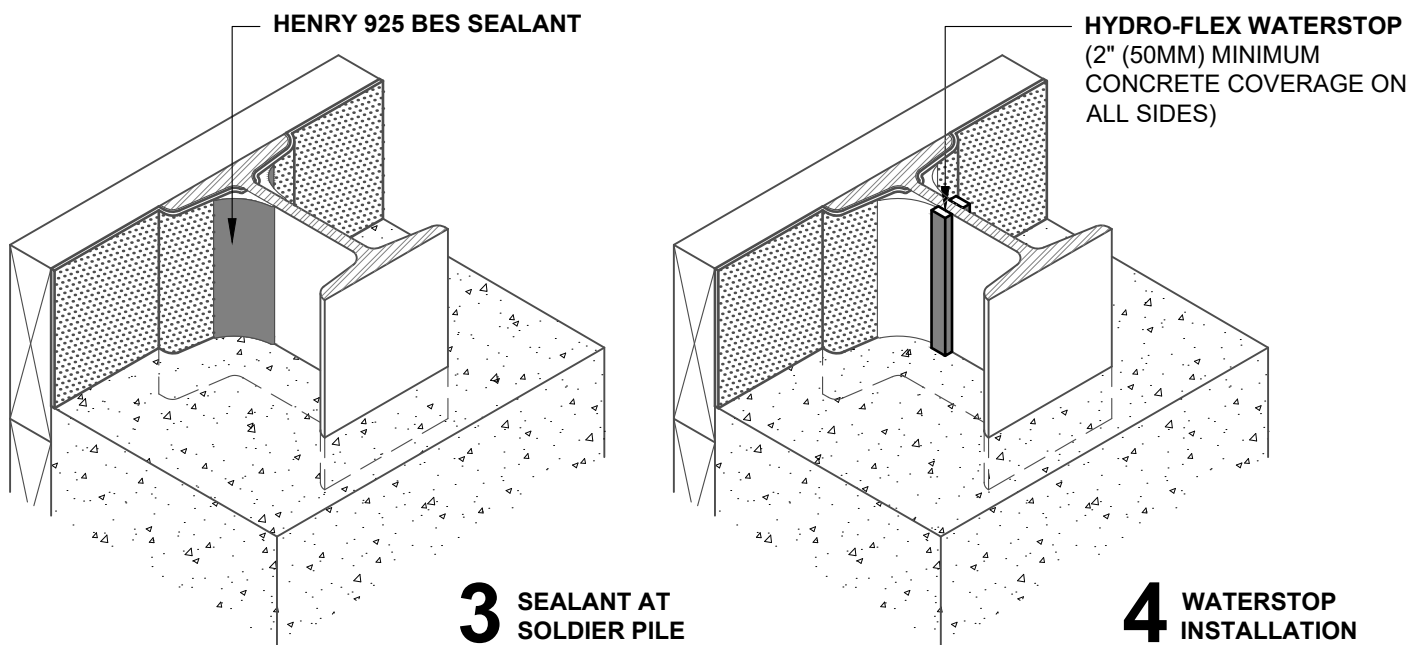
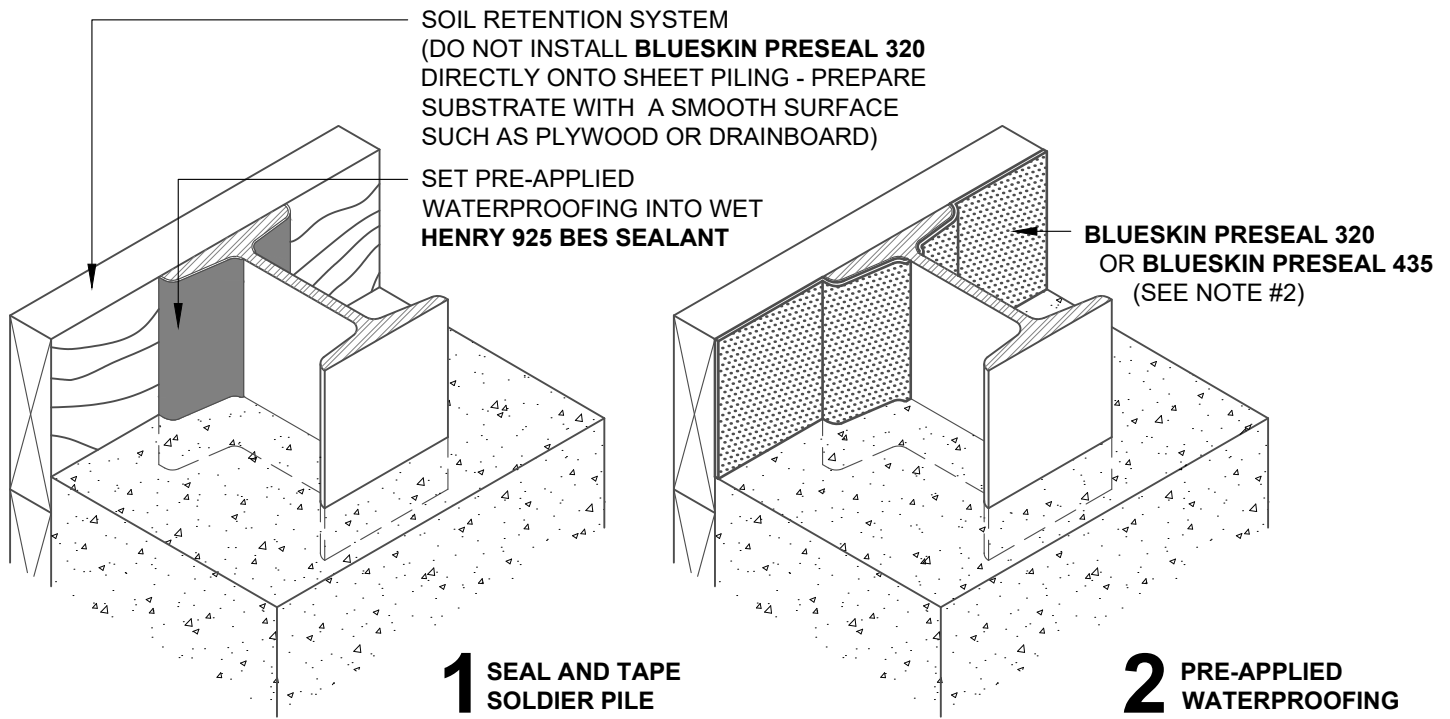
SOLDIER PILE

BLUESKIN PRESEAL 320 OR BLUESKIN PRESEAL 435
BACK-LAGGED SOLDIER PILE - HYDROSTATIC

SCALE: N.T.S.

04-01-2021

BSPS-2B2A



NOTES:

1. DETAIL SHOWS HENRY PRE-APPLIED WATERPROOFING SYSTEM FOR APPLICATIONS USING HENRY **BLUESKIN PRESEAL 320** OR **BLUESKIN PRESEAL 435**. SUBSTRATE SHOWN IS FOR REFERENCE ONLY.
2. HENRY **BLUESKIN PRESEAL 435** CAN BE INSTALLED DIRECTLY ONTO SHEET PILING. **BLUESKIN PRESEAL 320** REQUIRES A SMOOTH SURFACE SUCH AS PLYWOOD OR DRAINBOARD. SEE DETAIL BPS-2A2A.
3. REFER TO PRODUCT SPECIFIC TECHNICAL DATA SHEET (TDS) AND GUIDE SPECIFICATION FOR INSTALLATION PROCEDURES.

Henry[®]

999 N. Pacific Coast Highway, Suite 800
El Segundo, CA 90245
800-486-1278 • www.henry.com

MANUFACTURER GUIDE DETAILS ARE FOR REFERENCE ONLY. HENRY DOES NOT ASSUME RESPONSIBILITY FOR ERRORS OR DEVIATIONS IN DESIGN OR ENGINEERING. PROJECT SPECIFIC VERIFICATION IS RECOMMENDED PRIOR TO INSTALLATION.

HENRY PRE-APPLIED WATERPROOFING SYSTEM

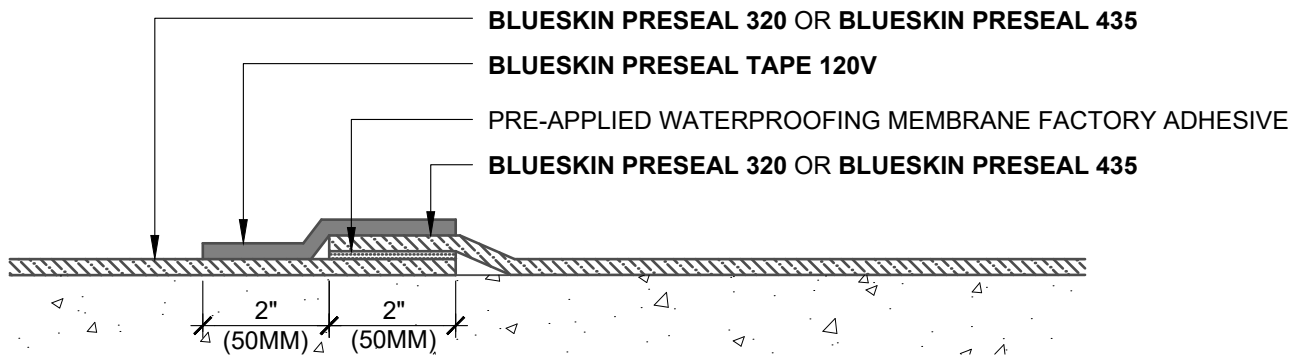
SOLDIER PILE

**BLUESKIN PRESEAL 320 OR BLUESKIN PRESEAL 435
BACK-LAGGED SOLDIER PILE - NON-HYDROSTATIC**

SCALE: N.T.S.

04-01-2021

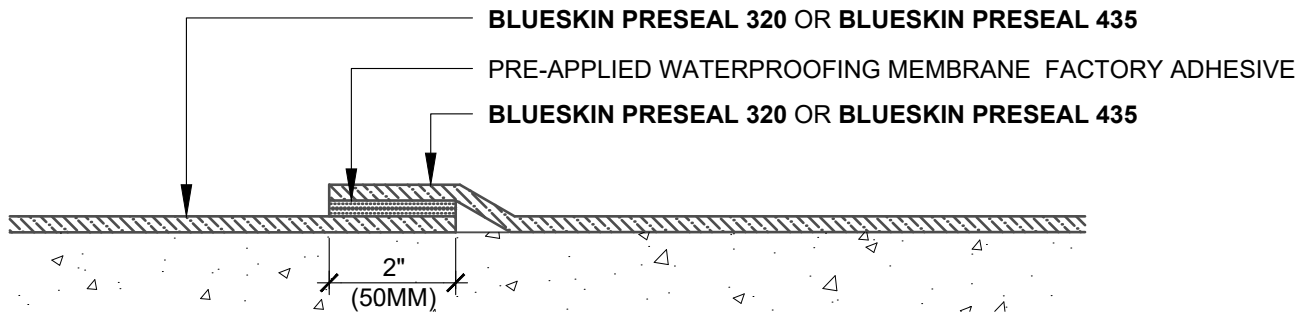
BSPS-2B2B



MEMBRANE FACTORY ADHESIVE INSTALLATION GUIDELINES

1. OVERLAP WATERPROOFING MEMBRANE AT FACTORY ADHESIVE.
2. REMOVE FACTORY ADHESIVE PLASTIC RELEASE LINER.
3. FIRMLY PRESS MEMBRANE SEAM INTO PLACE.
4. ROLL MEMBRANE SEAM WITH STEEL ROLLER TO ENSURE CONTINUOUS ADHESION.
5. CENTER **BLUESKIN PRESEAL TAPE 120V** AT SEAM EDGE AND ADHERE TAPE ONTO MEMBRANE SEAM
4. ROLL TAPE WITH STEEL ROLLER TO ENSURE CONTINUOUS ADHESION.

FACTORY ADHESIVE
FACTORY ADHESIVE ON ONE SIDE OF SEAM



MEMBRANE FACTORY ADHESIVE INSTALLATION GUIDELINES

1. OVERLAP WATERPROOFING MEMBRANE AT FACTORY ADHESIVE.
2. REMOVE PLASTIC RELEASE LINER ON BOTH MEMBRANES TO EXPOSE ADHESIVE.
3. FIRMLY PRESS MEMBRANE SEAM INTO PLACE.
4. ROLL MEMBRANE SEAM WITH STEEL ROLLER TO ENSURE CONTINUOUS ADHESION.

FACTORY ADHESIVE
DUAL FACTORY ADHESIVE AT SEAM

NOTES:

1. DETAIL SHOWS HENRY PRE-APPLIED WATERPROOFING SYSTEM FOR APPLICATIONS USING HENRY **BLUESKIN PRESEAL 320** OR **BLUESKIN PRESEAL 435**. SUBSTRATE SHOWN IS FOR REFERENCE ONLY.
2. REFER TO PRODUCT SPECIFIC TECHNICAL DATA SHEET (TDS) AND GUIDE SPECIFICATION FOR INSTALLATION PROCEDURES.

Henry[®]

999 N. Pacific Coast Highway, Suite 800
El Segundo, CA 90245
800-486-1278 • www.henry.com

MANUFACTURER GUIDE DETAILS ARE FOR REFERENCE ONLY. HENRY DOES NOT ASSUME RESPONSIBILITY FOR ERRORS OR DEVIATIONS IN DESIGN OR ENGINEERING. PROJECT SPECIFIC VERIFICATION IS RECOMMENDED PRIOR TO INSTALLATION.

HENRY PRE-APPLIED WATERPROOFING SYSTEM

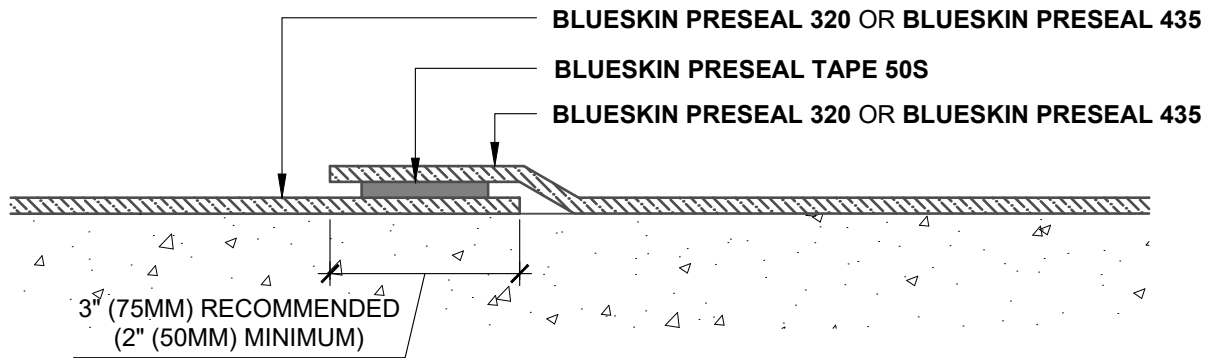
MEMBRANE SEAM OVERLAP

**BLUESKIN PRESEAL 320 OR BLUESKIN PRESEAL 435
FACTORY ADHESIVE AT MEMBRANE SEAMS**

SCALE: N.T.S.

04-01-2021

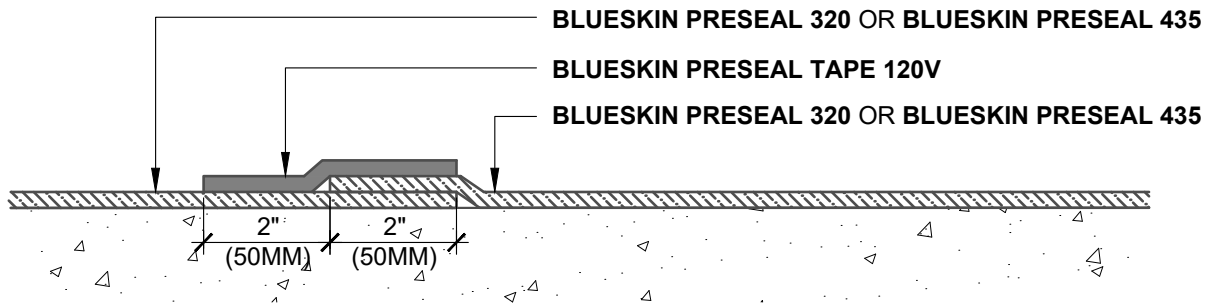
BSPS-3A



BLUESKIN PRESEAL TAPE 50S DOUBLE SIDED TAPE INSTALLATION GUIDELINES

1. REMOVE PLASTIC RELEASE LINER ON ONE SIDE OF **BLUESKIN PRESEAL TAPE 50S** DOUBLE SIDED TAPE AND ADHERE TO PRE-APPLIED WATERPROOFING EDGE.
2. FIRMLY PRESS TAPE INTO PLACE.
3. ROLL TAPE WITH STEEL ROLLER TO ENSURE CONTINUOUS ADHESION.
4. REMOVE REMAINING PLASTIC RELEASE LINER ON TAPE.
5. OVERLAP SUBSEQUENT WATERPROOFING MEMBRANE AT SEAM.
6. FIRMLY PRESS MEMBRANE SEAM INTO PLACE.
7. ROLL MEMBRANE SEAM WITH STEEL ROLLER TO ENSURE CONTINUOUS ADHESION.

BLUESKIN PRESEAL TAPE 50S - DOUBLE SIDED TAPE
NO FACTORY ADHESIVE AT PRE-APPLIED WATERPROOFING SEAM



BLUESKIN PRESEAL TAPE 120V TAPE INSTALLATION GUIDELINES

1. REMOVE PLASTIC RELEASE LINER OF **BLUESKIN PRESEAL TAPE 120V**.
2. ADHERE TAPE TO PRE-APPLIED WATERPROOFING OVERLAP SEAM.
3. FIRMLY PRESS TAPE INTO PLACE.
4. ROLL TAPE WITH STEEL ROLLER TO ENSURE CONTINUOUS ADHESION.

BLUESKIN PRESEAL TAPE 120V - DETAIL STRIP WITH TAPE
NO FACTORY ADHESIVE AT PRE-APPLIED WATERPROOFING SEAM

NOTES:

1. DETAIL SHOWS HENRY PRE-APPLIED WATERPROOFING SYSTEM FOR APPLICATIONS USING HENRY **BLUESKIN PRESEAL 320** OR **BLUESKIN PRESEAL 435**. SUBSTRATE SHOWN IS FOR REFERENCE ONLY.
2. REFER TO PRODUCT SPECIFIC TECHNICAL DATA SHEET (TDS) AND GUIDE SPECIFICATION FOR INSTALLATION PROCEDURES.

Henry[®]

999 N. Pacific Coast Highway, Suite 800
El Segundo, CA 90245
800-486-1278 • www.henry.com

MANUFACTURER GUIDE DETAILS ARE FOR REFERENCE ONLY. HENRY DOES NOT ASSUME RESPONSIBILITY FOR ERRORS OR DEVIATIONS IN DESIGN OR ENGINEERING. PROJECT SPECIFIC VERIFICATION IS RECOMMENDED PRIOR TO INSTALLATION.

HENRY PRE-APPLIED WATERPROOFING SYSTEM

MEMBRANE SEAM OVERLAP
BLUESKIN PRESEAL 320 OR BLUESKIN PRESEAL 435
TAPE AT WATERPROOFING MEMBRANE SEAMS

SCALE: N.T.S.

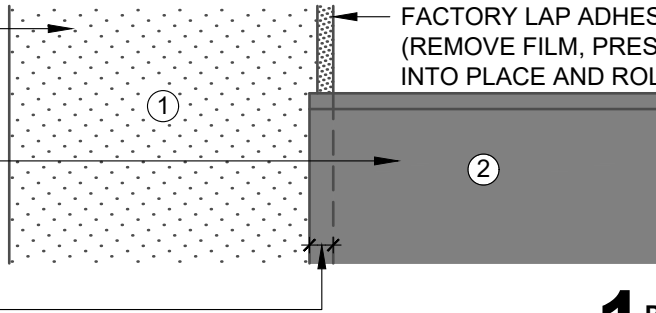
04-01-2021

BSPS-3B

BLUESKIN PRESEAL 435
OR **BLUESKIN PRESEAL 320**

BLUESKIN PRESEAL 435
OR **BLUESKIN PRESEAL 320**

OVERLAP 2" (50MM)

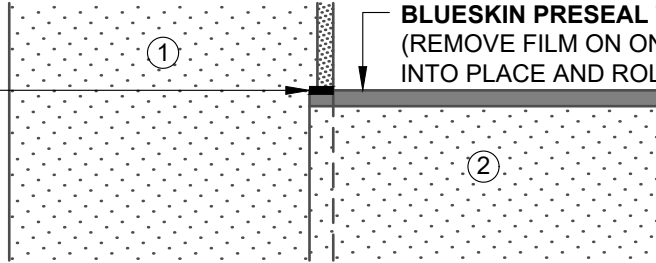


FACTORY LAP ADHESIVE
(REMOVE FILM, PRESS OVERLAPPING MEMBRANE INTO PLACE AND ROLL SEAM WITH STEEL ROLLER)

**1 PRE-APPLIED WATERPROOFING
FACTORY LAP ADHESIVE SEAM**

SEAL EDGE OF **BLUESKIN PRESEAL TAPE 50S** AT FACTORY ADHESIVE SEAM WITH 1/8" (3MM) BEAD OF **HENRY 925 BES SEALANT**

OVERLAP 2" (50MM)

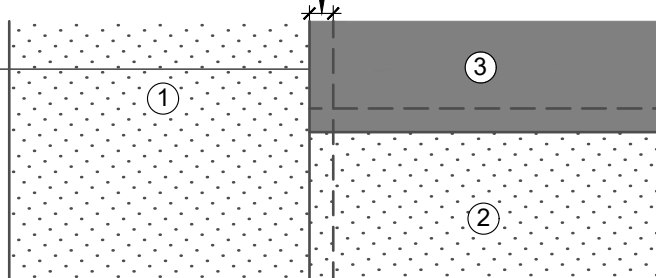


BLUESKIN PRESEAL TAPE 50S
(REMOVE FILM ON ONE SIDE OF TAPE, PRESS TAPE INTO PLACE AND ROLL WITH STEEL ROLLER)

**2 PRE-APPLIED WATERPROOFING
DOUBLE SIDED TAPE SEAM**

BLUESKIN PRESEAL 435
OR **BLUESKIN PRESEAL 320**
(REMOVE **BLUESKIN PRESEAL TAPE 50S** FILM, PRESS OVERLAPPING MEMBRANE INTO PLACE AND ROLL SEAM WITH STEEL ROLLER)

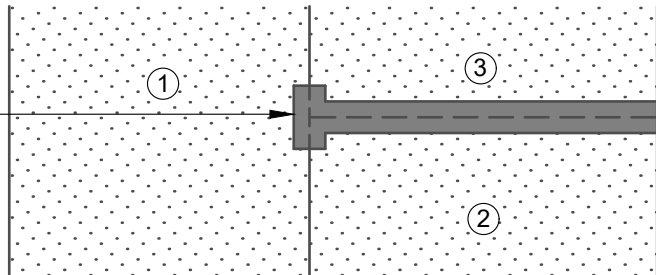
OVERLAP 2" (50MM)



OVERLAP 2" (50MM)

**3 PRE-APPLIED WATERPROOFING
T-LAP SEAM**

SEAL SEAMS WITH **BLUESKIN PRESEAL TAPE 120V** (CENTER TAPE OVER PRE-APPLIED WATERPROOFING SEAM)



**4 TAPE PRE-APPLIED
WATERPROOFING SEAMS**

NOTES:

1. DETAIL SHOWS HENRY PRE-APPLIED WATERPROOFING SYSTEM FOR APPLICATIONS USING HENRY **BLUESKIN PRESEAL 320** OR **BLUESKIN PRESEAL 435**. SUBSTRATE SHOWN IS FOR REFERENCE ONLY.
2. REFER TO PRODUCT SPECIFIC TECHNICAL DATA SHEET (TDS) AND GUIDE SPECIFICATION FOR INSTALLATION PROCEDURES.

Henry[®]

999 N. Pacific Coast Highway, Suite 800
El Segundo, CA 90245
800-486-1278 • www.henry.com

MANUFACTURER GUIDE DETAILS ARE FOR REFERENCE ONLY. HENRY DOES NOT ASSUME RESPONSIBILITY FOR ERRORS OR DEVIATIONS IN DESIGN OR ENGINEERING. PROJECT SPECIFIC VERIFICATION IS RECOMMENDED PRIOR TO INSTALLATION.

HENRY PRE-APPLIED WATERPROOFING SYSTEM

MEMBRANE SEAM OVERLAP

**BLUESKIN PRESEAL 320 OR BLUESKIN PRESEAL 435
T-LAP AT WATERPROOFING MEMBRANE SEAMS**

SCALE: N.T.S.

04-01-2021

BSPS-3C

BLUESKIN PRESEAL 435
OR BLUESKIN PRESEAL 320

BLUESKIN PRESEAL 435
OR BLUESKIN PRESEAL 320

OVERLAP 2" (50MM)

BLUESKIN PRESEAL 435
OR BLUESKIN PRESEAL 320

FACTORY LAP ADHESIVE
(REMOVE FILM, PRESS
OVERLAPPING MEMBRANE
INTO PLACE AND ROLL SEAM
WITH STEEL ROLLER)

BLUESKIN PRESEAL 435
OR BLUESKIN PRESEAL 320
(OVERLAP PRE-APPLIED
WATERPROOFING SEAMS
2" (50MM))

BLUESKIN PRESEAL 435
OR BLUESKIN PRESEAL 320
(OVERLAP PRE-APPLIED
WATERPROOFING SEAMS
2" (50MM))

SEAL SEAMS WITH
BLUESKIN PRESEAL TAPE 120V
(CENTER TAPE OVER
PRE-APPLIED WATERPROOFING
SEAM)

FACTORY LAP ADHESIVE
(REMOVE FILM, PRESS OVERLAPPING MEMBRANE
INTO PLACE AND ROLL SEAM WITH STEEL ROLLER)

1 PRE-APPLIED WATERPROOFING MEMBRANE SIDE LAP

2 PRE-APPLIED WATERPROOFING MEMBRANE END LAPS

3 MULTIPLE MEMBRANE OVERLAPS

4 TAPE PRE-APPLIED WATERPROOFING SEAMS

NOTES:

1. DETAIL SHOWS HENRY PRE-APPLIED WATERPROOFING SYSTEM FOR APPLICATIONS USING HENRY **BLUESKIN PRESEAL 320** OR **BLUESKIN PRESEAL 435**. SUBSTRATE SHOWN IS FOR REFERENCE ONLY.
2. REFER TO PRODUCT SPECIFIC TECHNICAL DATA SHEET (TDS) AND GUIDE SPECIFICATION FOR INSTALLATION PROCEDURES.

MANUFACTURER GUIDE DETAILS ARE FOR REFERENCE ONLY. HENRY DOES NOT ASSUME RESPONSIBILITY FOR ERRORS OR DEVIATIONS IN DESIGN OR ENGINEERING. PROJECT SPECIFIC VERIFICATION IS RECOMMENDED PRIOR TO INSTALLATION.

HENRY PRE-APPLIED WATERPROOFING SYSTEM

MEMBRANE SEAM OVERLAP

BLUESKIN PRESEAL 320 OR BLUESKIN PRESEAL 435
END LAPS AT WATERPROOFING MEMBRANE SEAMS

SCALE: N.T.S.

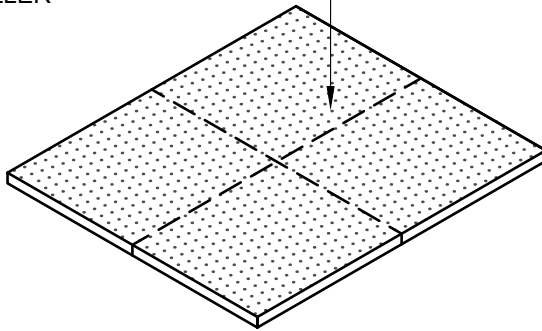
04-01-2021

BSPS-3C1

Henry[®]

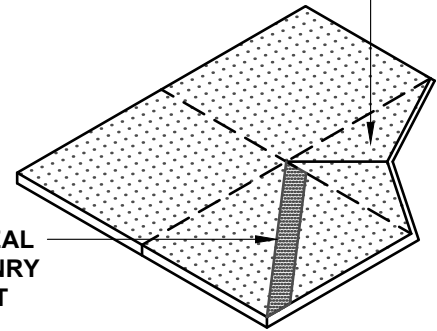
999 N. Pacific Coast Highway, Suite 800
El Segundo, CA 90245
800-486-1278 • www.henry.com

CREASE MEMBRANE VERTICALLY AND HORIZONTALLY WITH DIMPLED SURFACE GEOTEXTILE SIDE FACING THE INSTALLER



1 CREASE FLASHING VERTICALLY AND HORIZONTALLY

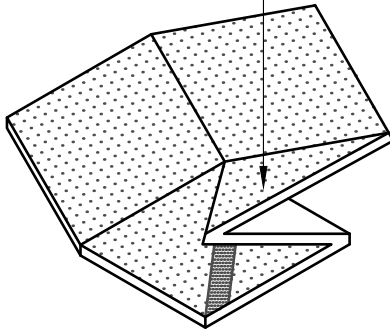
CREASE MEMBRANE AND FOLD DOWN



BLUESKIN PRESEAL TAPE 50S OR HENRY 925 BES SEALANT

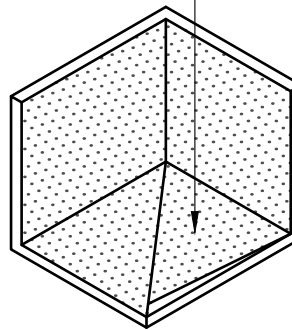
2 FOLD ONE SQUARE INTO A TRIANGLE

ADHERE FOLDED MEMBRANE AND FIRMLY PRESS INTO PLACE



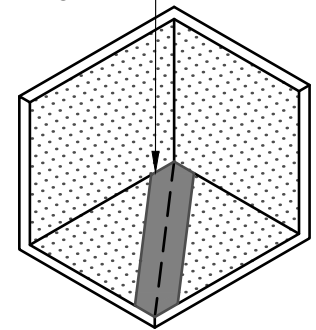
3 FOLD BOTTOM CORNER ONTO ADJACENT PANEL

ROLL MEMBRANE WITH STEEL ROLLER TO ENSURE CONTINUOUS ADHESION



4 PRESS TRIANGLE INTO PLACE

CENTER **BLUESKIN PRESEAL TAPE 120V** OVER SEAM, FIRMLY PRESS TAPE INTO PLACE AND ROLL WITH STEEL ROLLER TO ENSURE CONTINUOUS ADHESION



5 APPLY BLUESKIN PRESEAL TAPE 120V AT SEAM

CREATING AN INSIDE CORNER

PRE-APPLIED WATERPROOFING

NOTES:

1. DETAIL SHOWS HENRY PRE-APPLIED WATERPROOFING SYSTEM FOR APPLICATIONS USING HENRY **BLUESKIN PRESEAL 320** OR **BLUESKIN PRESEAL 435**. SUBSTRATE SHOWN IS FOR REFERENCE ONLY.
2. REFER TO PRODUCT SPECIFIC TECHNICAL DATA SHEET (TDS) AND GUIDE SPECIFICATION FOR INSTALLATION PROCEDURES.

Henry[®]

999 N. Pacific Coast Highway, Suite 800
El Segundo, CA 90245
800-486-1278 • www.henry.com

MANUFACTURER GUIDE DETAILS ARE FOR REFERENCE ONLY. HENRY DOES NOT ASSUME RESPONSIBILITY FOR ERRORS OR DEVIATIONS IN DESIGN OR ENGINEERING. PROJECT SPECIFIC VERIFICATION IS RECOMMENDED PRIOR TO INSTALLATION.

HENRY PRE-APPLIED WATERPROOFING SYSTEM

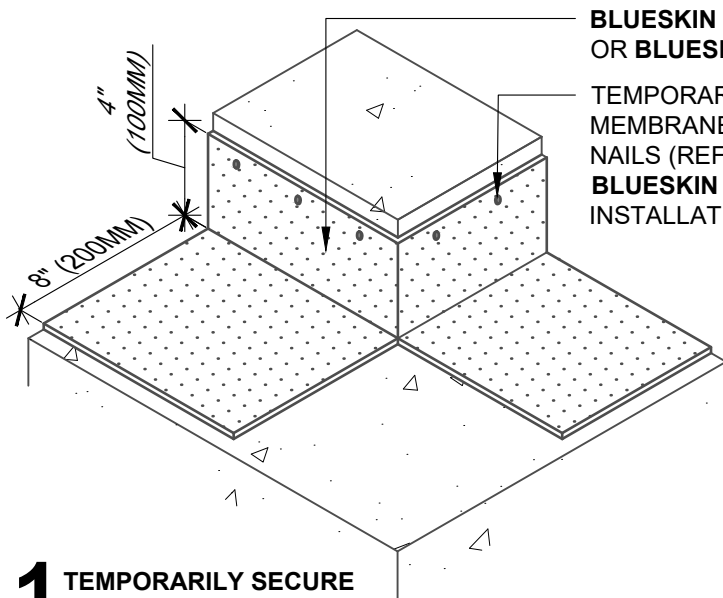
INSIDE CORNERS

**BLUESKIN PRESEAL 320 OR BLUESKIN PRESEAL 435
INSIDE CORNERS**

SCALE: N.T.S.

04-01-2021

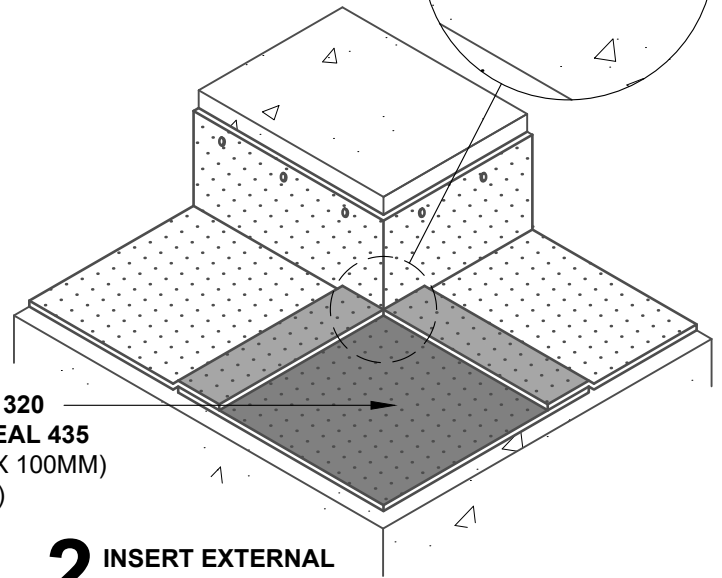
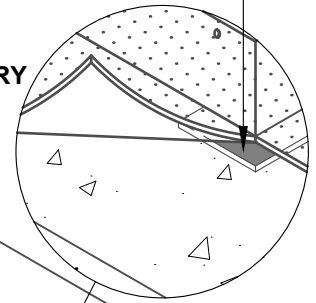
BSPS-3D



1 TEMPORARILY SECURE CORNER FLASHING

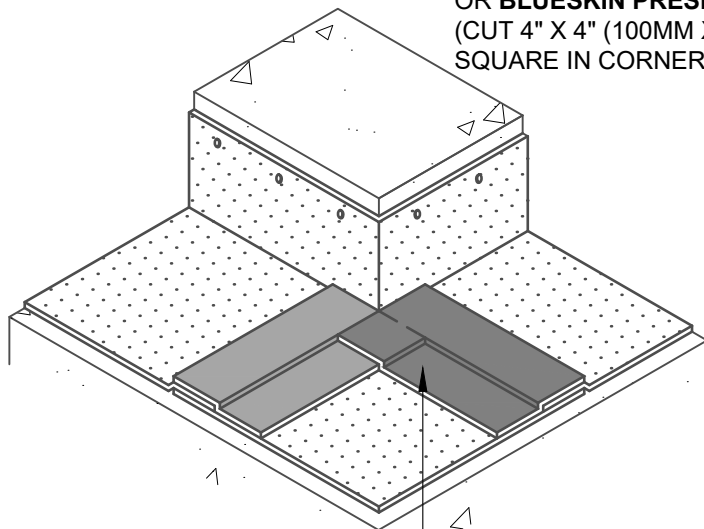
BLUESKIN PRESEAL 320 OR BLUESKIN PRESEAL 435
 TEMPORARILY SECURE MEMBRANE WITH SHORT NAILS (REFER TO **BLUESKIN PRESEAL** INSTALLATION MANUAL)

PRE-TREAT AND SEAL CORNER WITH **HENRY 925 BES SEALANT**



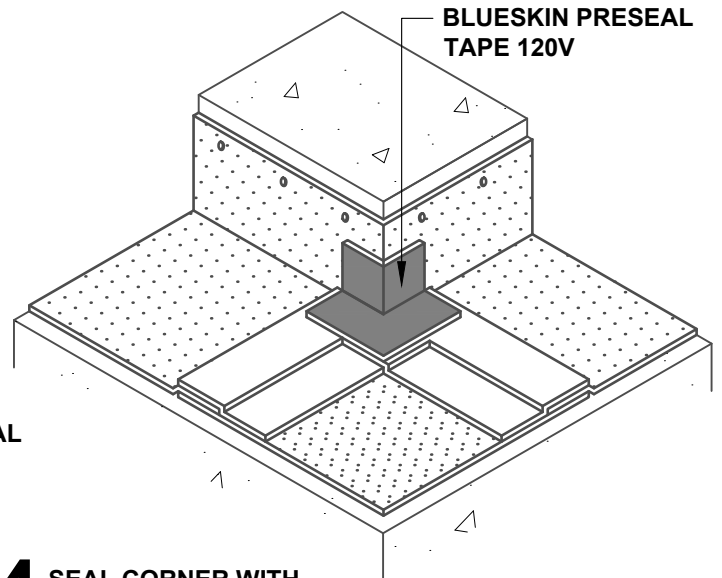
2 INSERT EXTERNAL CORNER FLASHING

BLUESKIN PRESEAL 320 OR BLUESKIN PRESEAL 435
 (CUT 4" X 4" (100MM X 100MM) SQUARE IN CORNER)



3 TAPE CORNER FLASHING SEAMS

BLUESKIN PRESEAL TAPE 120V



4 SEAL CORNER WITH **BLUESKIN PRESEAL TAPE 120V**

NOTES:

1. DETAIL SHOWS HENRY PRE-APPLIED WATERPROOFING SYSTEM FOR APPLICATIONS USING HENRY **BLUESKIN PRESEAL 320** OR **BLUESKIN PRESEAL 435**. SUBSTRATE SHOWN IS FOR REFERENCE ONLY.
2. REFER TO PRODUCT SPECIFIC TECHNICAL DATA SHEET (TDS) AND GUIDE SPECIFICATION FOR INSTALLATION PROCEDURES.

MANUFACTURER GUIDE DETAILS ARE FOR REFERENCE ONLY. HENRY DOES NOT ASSUME RESPONSIBILITY FOR ERRORS OR DEVIATIONS IN DESIGN OR ENGINEERING. PROJECT SPECIFIC VERIFICATION IS RECOMMENDED PRIOR TO INSTALLATION.

HENRY PRE-APPLIED WATERPROOFING SYSTEM

OUTSIDE CORNERS

BLUESKIN PRESEAL 320 OR BLUESKIN PRESEAL 435
OUTSIDE CORNERS

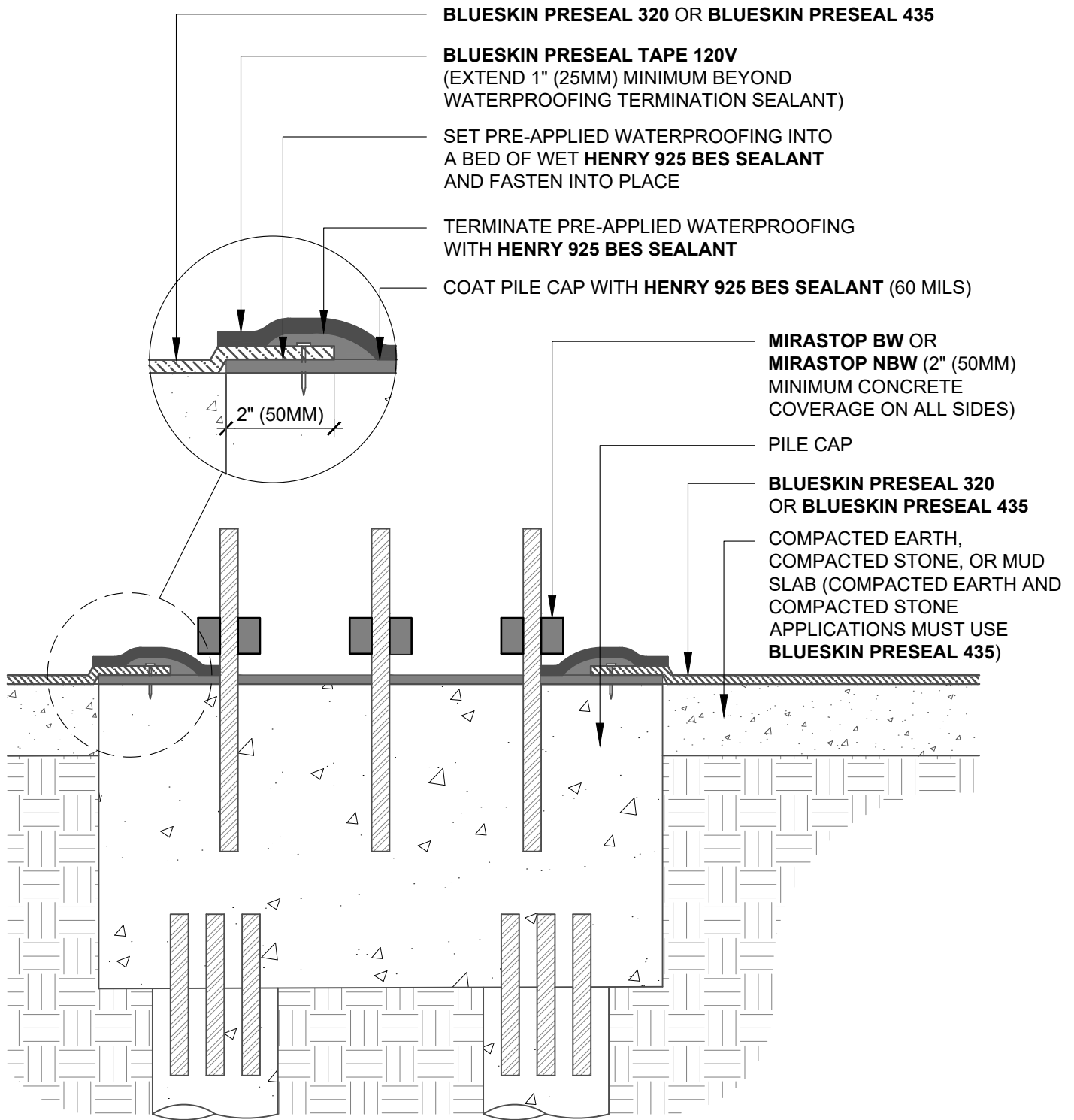
SCALE: N.T.S.

04-01-2021

BSPS-3E

Henry[®]

999 N. Pacific Coast Highway, Suite 800
 El Segundo, CA 90245
 800-486-1278 • www.henry.com



NOTES:

1. DETAIL SHOWS HENRY PRE-APPLIED WATERPROOFING SYSTEM FOR APPLICATIONS USING HENRY **BLUESKIN PRESEAL 320** OR **BLUESKIN PRESEAL 435**. SUBSTRATE SHOWN IS FOR REFERENCE ONLY.
2. REFER TO PRODUCT SPECIFIC TECHNICAL DATA SHEET (TDS) AND GUIDE SPECIFICATION FOR INSTALLATION PROCEDURES.



999 N. Pacific Coast Highway, Suite 800
 El Segundo, CA 90245
 800-486-1278 • www.henry.com

MANUFACTURER GUIDE DETAILS ARE FOR REFERENCE ONLY. HENRY DOES NOT ASSUME RESPONSIBILITY FOR ERRORS OR DEVIATIONS IN DESIGN OR ENGINEERING. PROJECT SPECIFIC VERIFICATION IS RECOMMENDED PRIOR TO INSTALLATION.

HENRY PRE-APPLIED WATERPROOFING SYSTEM

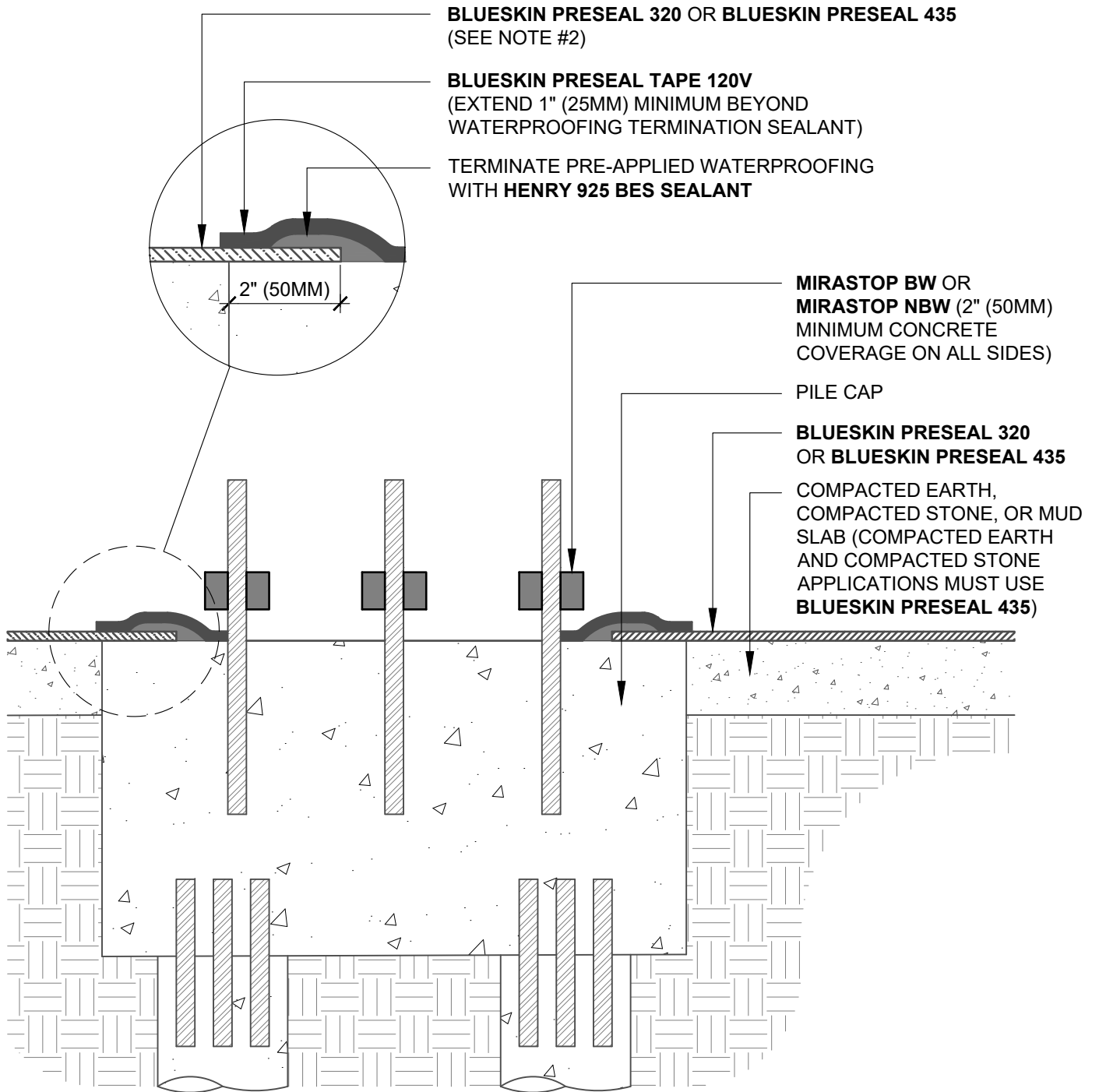
PILE CAP

**BLUESKIN PRESEAL 320 OR BLUESKIN PRESEAL 435
 CONCRETE COLUMN/WALL - HYDROSTATIC**

SCALE: N.T.S.

03-10-2022

BSPS-4A1



NOTES:

1. DETAIL SHOWS HENRY PRE-APPLIED WATERPROOFING SYSTEM FOR APPLICATIONS USING HENRY **BLUESKIN PRESEAL 320 OR BLUESKIN PRESEAL 435**. SUBSTRATE SHOWN IS FOR REFERENCE ONLY.
2. FASTEN PRE-APPLIED WATERPROOFING ONTO GRADE BEAM/FOOTING AS REQUIRED. SEAL FASTENERS WITH **HENRY 925 BES SEALANT** PRIOR TO **BLUESKIN PRESEAL TAPE 120V** INSTALLATION.
3. REFER TO PRODUCT SPECIFIC TECHNICAL DATA SHEET (TDS) AND GUIDE SPECIFICATION FOR INSTALLATION PROCEDURES.

Henry[®]

999 N. Pacific Coast Highway, Suite 800
El Segundo, CA 90245
800-486-1278 • www.henry.com

MANUFACTURER GUIDE DETAILS ARE FOR REFERENCE ONLY. HENRY DOES NOT ASSUME RESPONSIBILITY FOR ERRORS OR DEVIATIONS IN DESIGN OR ENGINEERING. PROJECT SPECIFIC VERIFICATION IS RECOMMENDED PRIOR TO INSTALLATION.

HENRY PRE-APPLIED WATERPROOFING SYSTEM

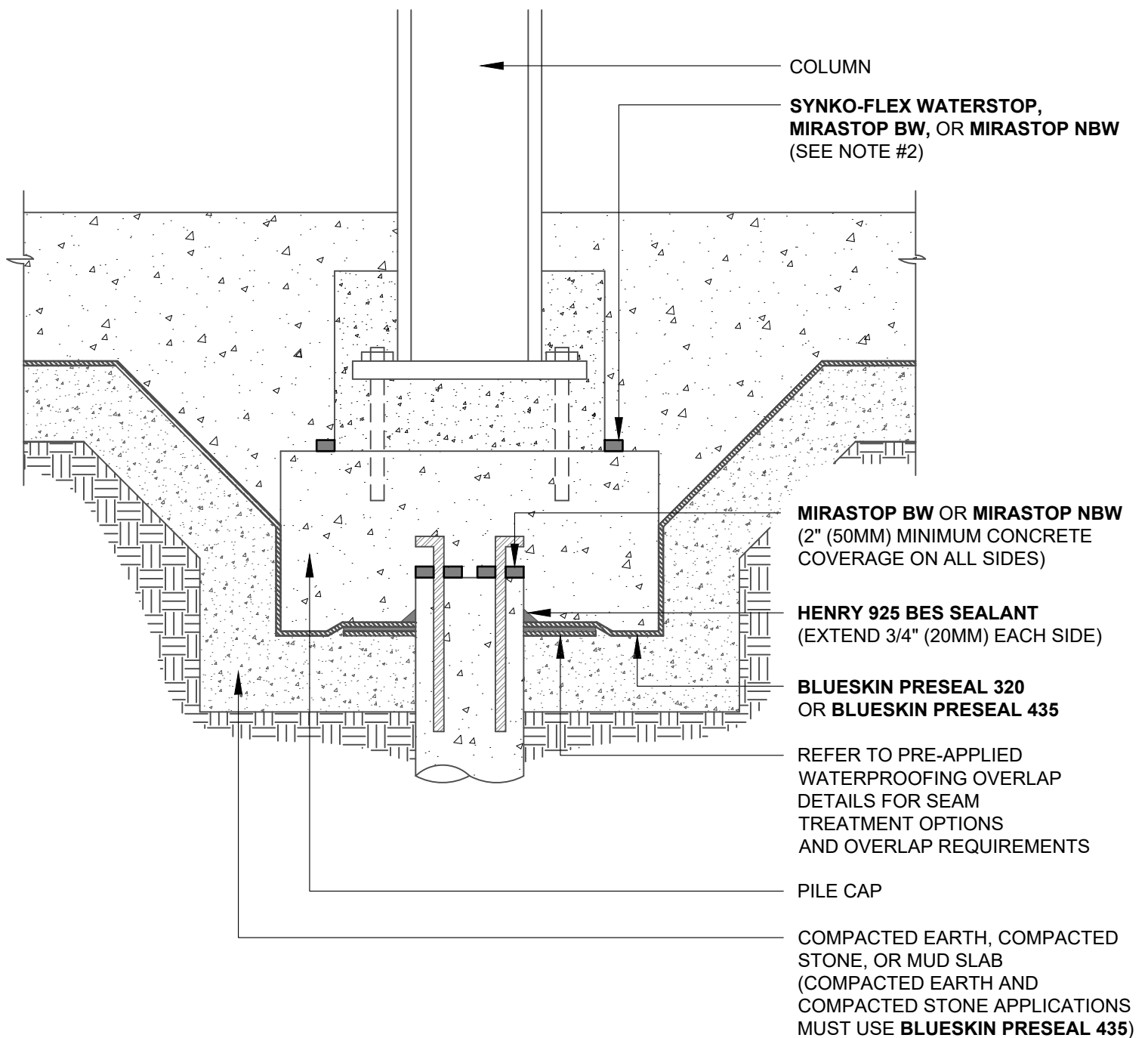
PILE CAP

**BLUESKIN PRESEAL 320 OR BLUESKIN PRESEAL 435
CONCRETE COLUMN/WALL - NON-HYDROSTATIC**

SCALE: N.T.S.

03-10-2022

BSPS-4A2



NOTES:

1. DETAIL SHOWS HENRY PRE-APPLIED WATERPROOFING SYSTEM FOR APPLICATIONS USING HENRY **BLUESKIN PRESEAL 320** OR **BLUESKIN PRESEAL 435**. SUBSTRATE SHOWN IS FOR REFERENCE ONLY.
2. APPLICATIONS USING SWELLABLE WATERSTOPS: 2" (50MM) MINIMUM CONCRETE COVERAGE ON ALL SIDES.
3. REFER TO PRODUCT SPECIFIC TECHNICAL DATA SHEET (TDS) AND GUIDE SPECIFICATION FOR INSTALLATION PROCEDURES.

Henry[®]

999 N. Pacific Coast Highway, Suite 800
El Segundo, CA 90245
800-486-1278 • www.henry.com

MANUFACTURER GUIDE DETAILS ARE FOR REFERENCE ONLY. HENRY DOES NOT ASSUME RESPONSIBILITY FOR ERRORS OR DEVIATIONS IN DESIGN OR ENGINEERING. PROJECT SPECIFIC VERIFICATION IS RECOMMENDED PRIOR TO INSTALLATION.

HENRY PRE-APPLIED WATERPROOFING SYSTEM

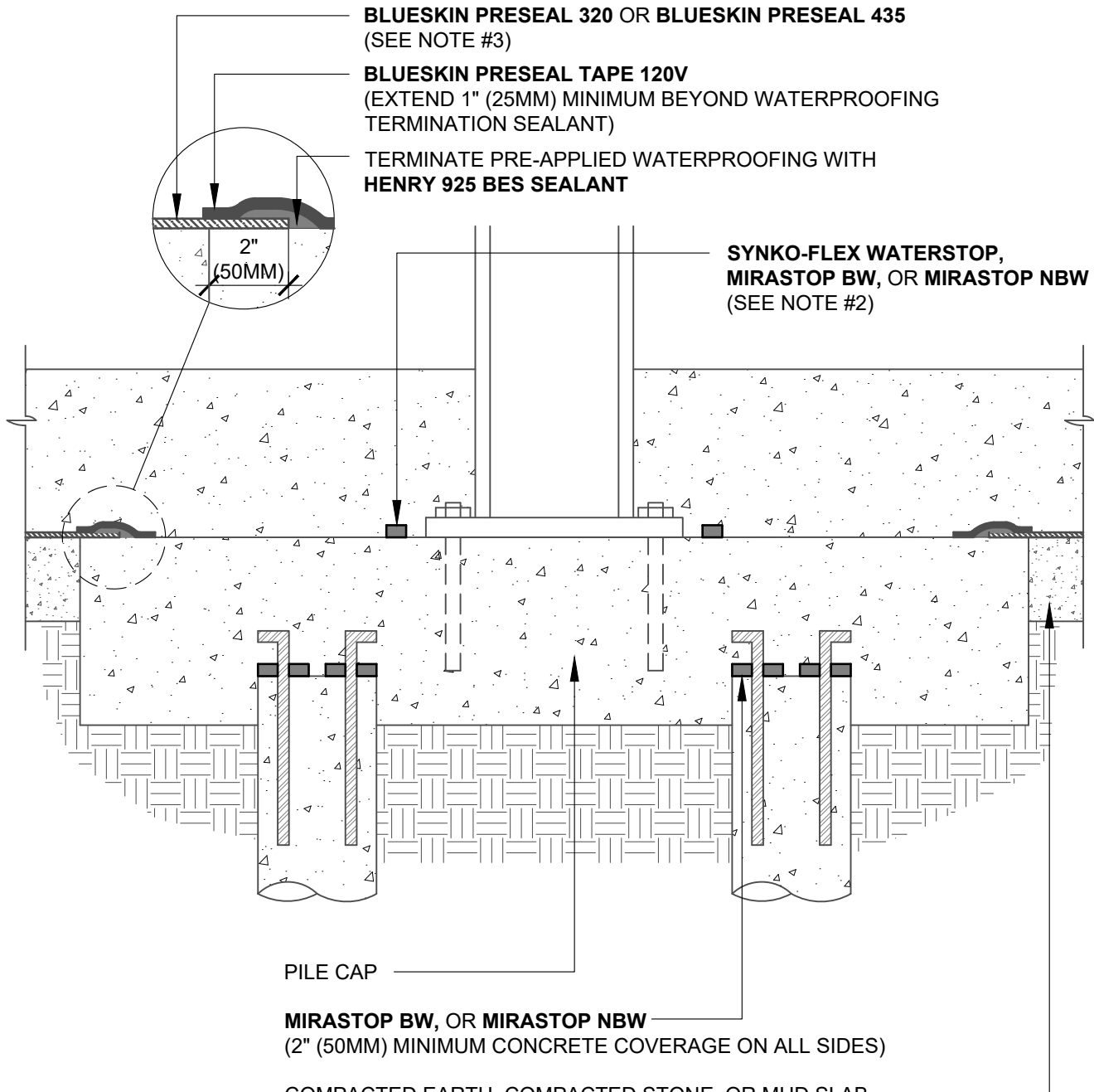
PILE CAP

**BLUESKIN PRESEAL 320 OR BLUESKIN PRESEAL 435
STEEL COLUMN - HYDROSTATIC**

SCALE: N.T.S.

03-10-2022

BSPS-4A3



COMPACTED EARTH, COMPACTED STONE, OR MUD SLAB
 (COMPACTED EARTH AND COMPACTED STONE APPLICATIONS MUST
 USE **BLUESKIN PRESEAL 435**)

NOTES:

1. DETAIL SHOWS HENRY PRE-APPLIED WATERPROOFING SYSTEM FOR APPLICATIONS USING HENRY **BLUESKIN PRESEAL 320** OR **BLUESKIN PRESEAL 435**. SUBSTRATE SHOWN IS FOR REFERENCE ONLY.
2. APPLICATIONS USING SWELLABLE WATERSTOPS: 2" (50MM) MINIMUM CONCRETE COVERAGE ON ALL SIDES.
3. FASTEN PRE-APPLIED WATERPROOFING ONTO GRADE BEAM/FOOTING AS REQUIRED. SEAL FASTENERS WITH **HENRY 925 BES SEALANT** PRIOR TO **BLUESKIN PRESEAL TAPE 120V** INSTALLATION.
4. REFER TO PRODUCT SPECIFIC TECHNICAL DATA SHEET (TDS) AND GUIDE SPECIFICATION FOR INSTALLATION PROCEDURES.

Henry[®]

999 N. Pacific Coast Highway, Suite 800
 El Segundo, CA 90245
 800-486-1278 • www.henry.com

MANUFACTURER GUIDE DETAILS ARE FOR REFERENCE ONLY. HENRY DOES NOT ASSUME RESPONSIBILITY FOR ERRORS OR DEVIATIONS IN DESIGN OR ENGINEERING. PROJECT SPECIFIC VERIFICATION IS RECOMMENDED PRIOR TO INSTALLATION.

HENRY PRE-APPLIED WATERPROOFING SYSTEM

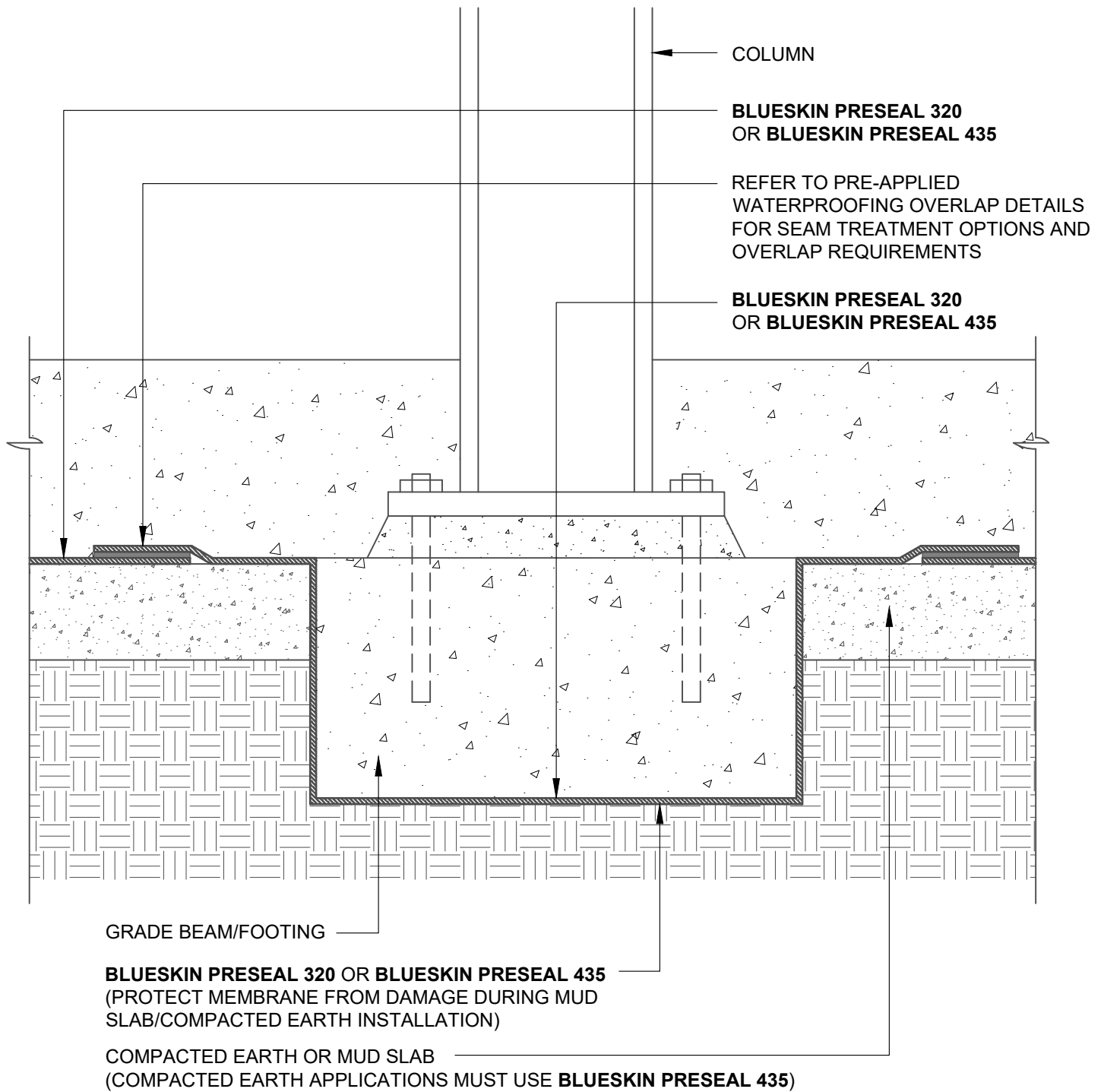
PILE CAP

**BLUESKIN PRESEAL 320 OR BLUESKIN PRESEAL 435
 STEEL COLUMN - NON-HYDROSTATIC**

SCALE: N.T.S.

03-10-2022

BSPS-4A4



NOTES:

1. DETAIL SHOWS HENRY PRE-APPLIED WATERPROOFING SYSTEM FOR APPLICATIONS USING HENRY **BLUESKIN PRESEAL 320** OR **BLUESKIN PRESEAL 435**. SUBSTRATE SHOWN IS FOR REFERENCE ONLY.
2. REFER TO PRODUCT SPECIFIC TECHNICAL DATA SHEET (TDS) AND GUIDE SPECIFICATION FOR INSTALLATION PROCEDURES.

Henry[®]

999 N. Pacific Coast Highway, Suite 800
 El Segundo, CA 90245
 800-486-1278 • www.henry.com

MANUFACTURER GUIDE DETAILS ARE FOR REFERENCE ONLY. HENRY DOES NOT ASSUME RESPONSIBILITY FOR ERRORS OR DEVIATIONS IN DESIGN OR ENGINEERING. PROJECT SPECIFIC VERIFICATION IS RECOMMENDED PRIOR TO INSTALLATION.

HENRY PRE-APPLIED WATERPROOFING SYSTEM

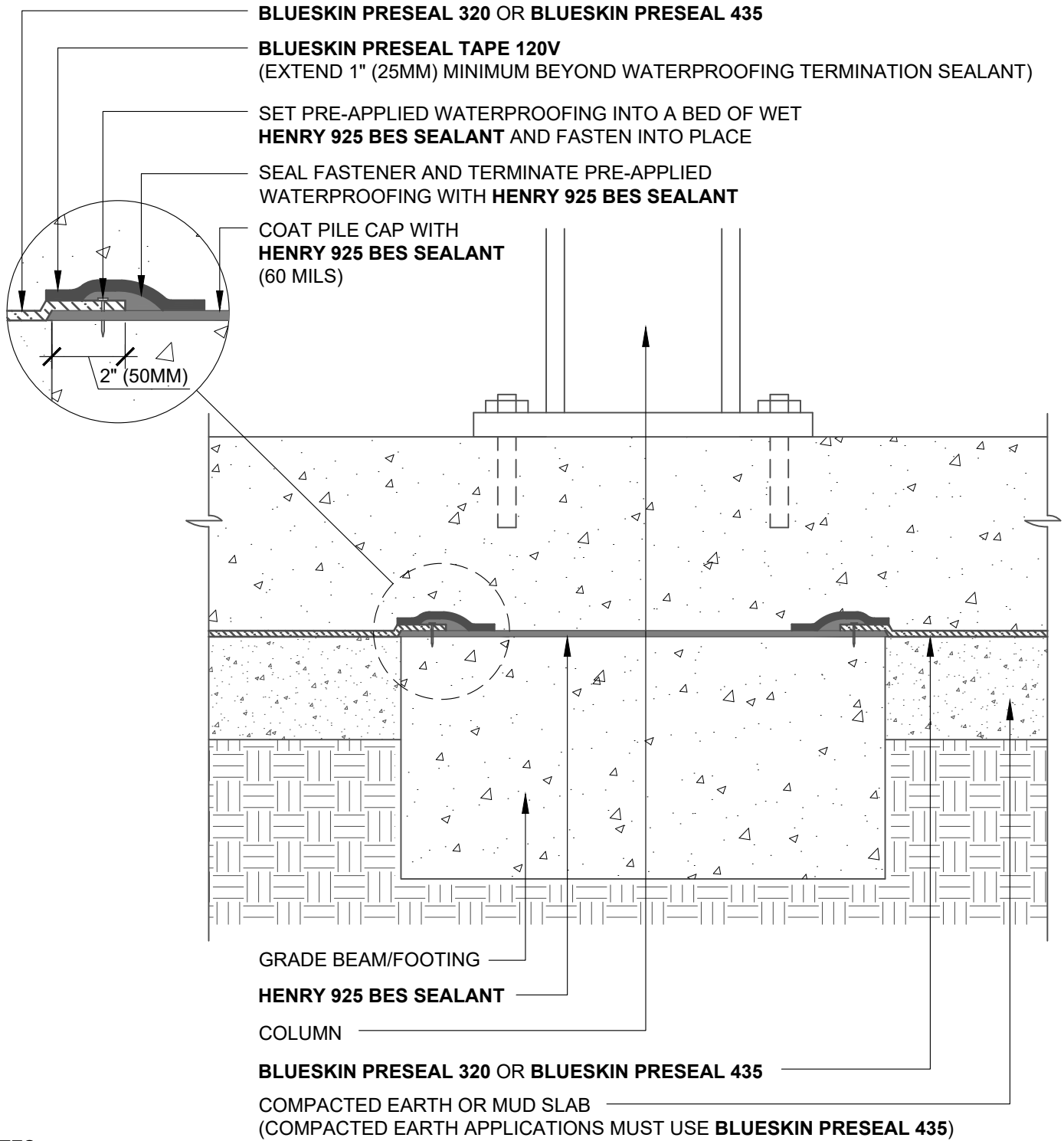
GRADE BEAM/FOOTING

BLUESKIN PRESEAL 320 OR BLUESKIN PRESEAL 435
STEEL COLUMN - HYDROSTATIC

SCALE: N.T.S.

04-01-2021

BSPS-4B1



NOTES:

1. DETAIL SHOWS HENRY PRE-APPLIED WATERPROOFING SYSTEM FOR APPLICATIONS USING HENRY **BLUESKIN PRESEAL 320 OR BLUESKIN PRESEAL 435**. SUBSTRATE SHOWN IS FOR REFERENCE ONLY.
2. REFER TO PRODUCT SPECIFIC TECHNICAL DATA SHEET (TDS) AND GUIDE SPECIFICATION FOR INSTALLATION PROCEDURES.

Henry[®]

999 N. Pacific Coast Highway, Suite 800
El Segundo, CA 90245
800-486-1278 • www.henry.com

MANUFACTURER GUIDE DETAILS ARE FOR REFERENCE ONLY. HENRY DOES NOT ASSUME RESPONSIBILITY FOR ERRORS OR DEVIATIONS IN DESIGN OR ENGINEERING. PROJECT SPECIFIC VERIFICATION IS RECOMMENDED PRIOR TO INSTALLATION.

HENRY PRE-APPLIED WATERPROOFING SYSTEM

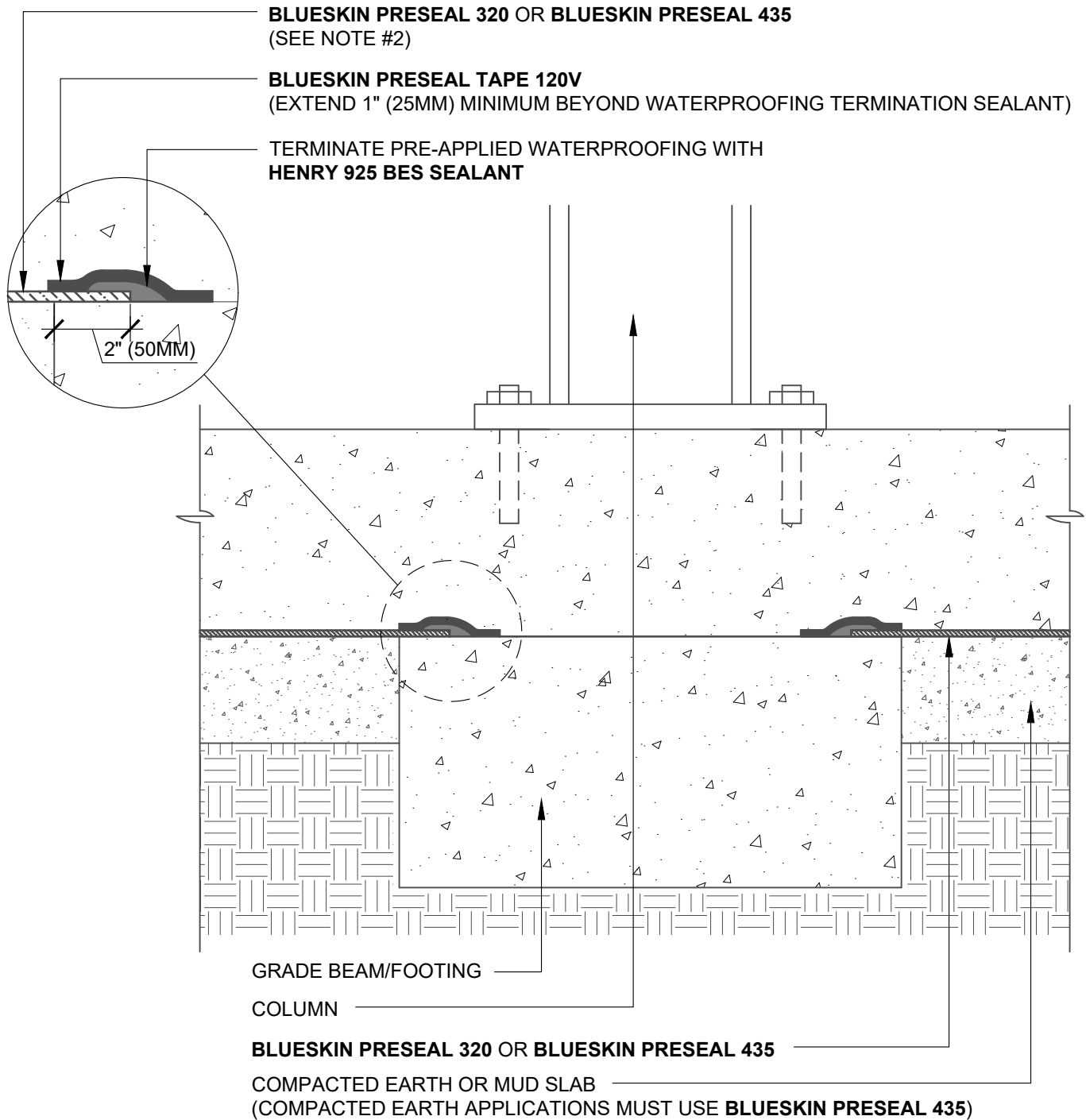
GRADE BEAM/FOOTING

BLUESKIN PRESEAL 320 OR BLUESKIN PRESEAL 435
STEEL COLUMN ON SLAB - HYDROSTATIC

SCALE: N.T.S.

04-01-2021

BSPS-4B2



NOTES:

1. DETAIL SHOWS HENRY PRE-APPLIED WATERPROOFING SYSTEM FOR APPLICATIONS USING HENRY **BLUESKIN PRESEAL 320** OR **BLUESKIN PRESEAL 435**. SUBSTRATE SHOWN IS FOR REFERENCE ONLY.
2. FASTEN PRE-APPLIED WATERPROOFING ONTO GRADE BEAM/FOOTING AS REQUIRED. SEAL FASTENERS WITH **HENRY 925 BES SEALANT** PRIOR TO **BLUESKIN PRESEAL TAPE 120V** INSTALLATION.
3. REFER TO PRODUCT SPECIFIC TECHNICAL DATA SHEET (TDS) AND GUIDE SPECIFICATION FOR INSTALLATION PROCEDURES.

MANUFACTURER GUIDE DETAILS ARE FOR REFERENCE ONLY. HENRY DOES NOT ASSUME RESPONSIBILITY FOR ERRORS OR DEVIATIONS IN DESIGN OR ENGINEERING. PROJECT SPECIFIC VERIFICATION IS RECOMMENDED PRIOR TO INSTALLATION.

HENRY PRE-APPLIED WATERPROOFING SYSTEM

GRADE BEAM/FOOTING

BLUESKIN PRESEAL 320 OR BLUESKIN PRESEAL 435
STEEL COLUMN ON SLAB - NON-HYDROSTATIC

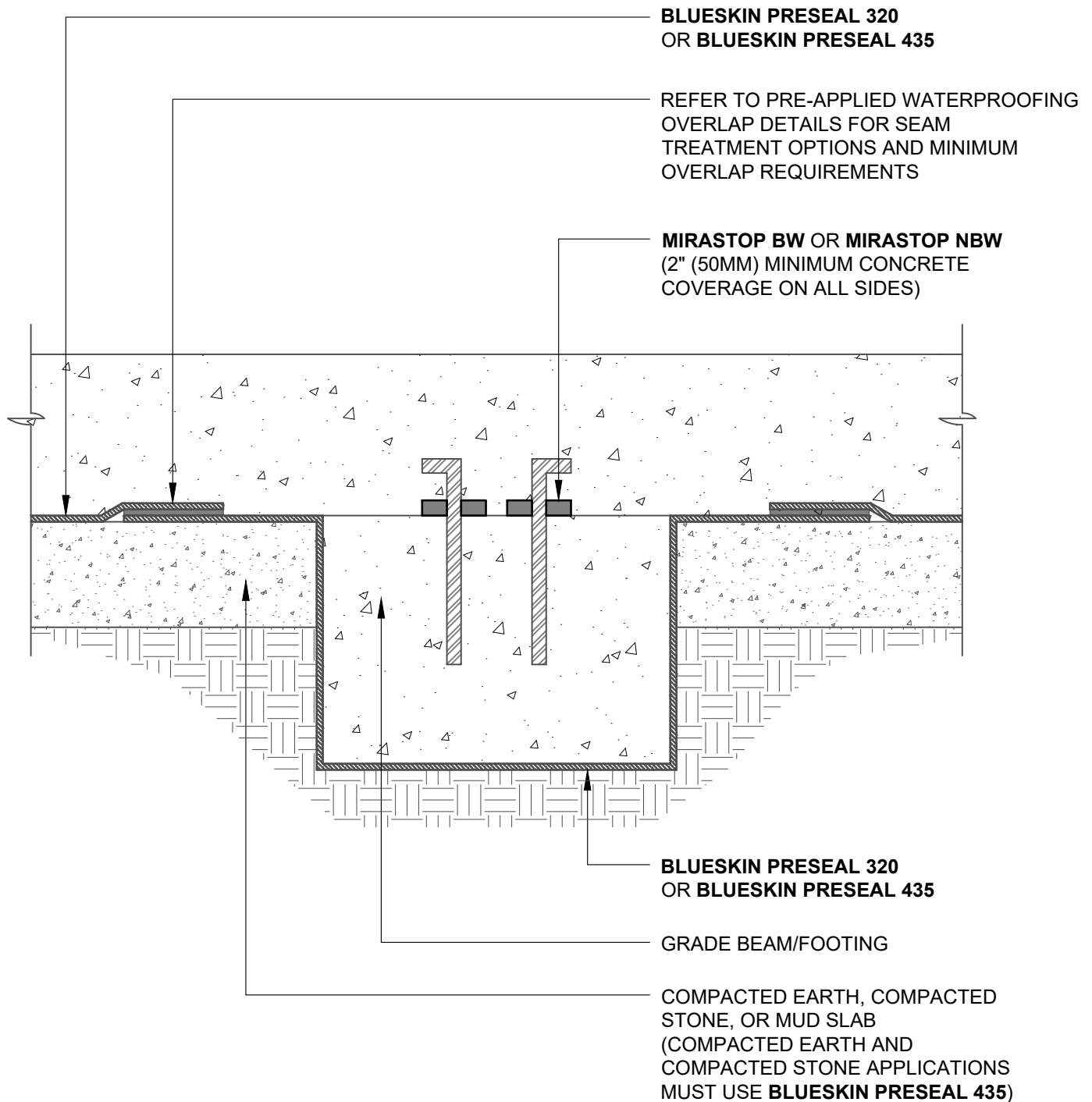
SCALE: N.T.S.

04-01-2021

BSPS-4B3

Henry[®]

999 N. Pacific Coast Highway, Suite 800
El Segundo, CA 90245
800-486-1278 • www.henry.com



NOTES:

1. DETAIL SHOWS HENRY PRE-APPLIED WATERPROOFING SYSTEM FOR APPLICATIONS USING HENRY **BLUESKIN PRESEAL 320** OR **BLUESKIN PRESEAL 435**. SUBSTRATE SHOWN IS FOR REFERENCE ONLY.
2. REFER TO PRODUCT SPECIFIC TECHNICAL DATA SHEET (TDS) AND GUIDE SPECIFICATION FOR INSTALLATION PROCEDURES.

Henry[®]

999 N. Pacific Coast Highway, Suite 800
El Segundo, CA 90245
800-486-1278 • www.henry.com

MANUFACTURER GUIDE DETAILS ARE FOR REFERENCE ONLY. HENRY DOES NOT ASSUME RESPONSIBILITY FOR ERRORS OR DEVIATIONS IN DESIGN OR ENGINEERING. PROJECT SPECIFIC VERIFICATION IS RECOMMENDED PRIOR TO INSTALLATION.

HENRY PRE-APPLIED WATERPROOFING SYSTEM

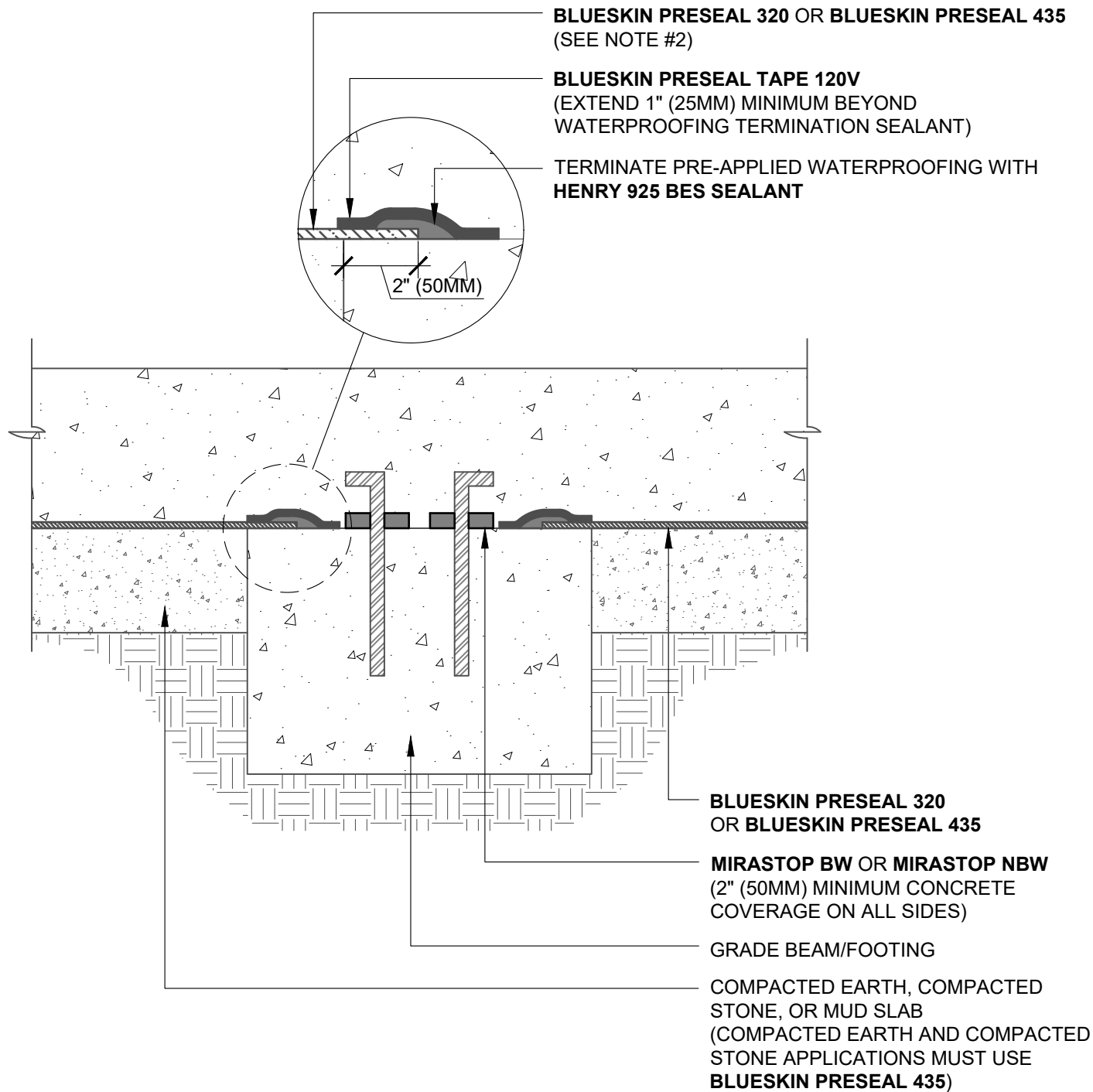
GRADE BEAM/FOOTING

**BLUESKIN PRESEAL 320 OR BLUESKIN PRESEAL 435
HYDROSTATIC**

SCALE: N.T.S.

03-10-2022

BSPS-4C1



NOTES:

1. DETAIL SHOWS HENRY PRE-APPLIED WATERPROOFING SYSTEM FOR APPLICATIONS USING HENRY **BLUESKIN PRESEAL 320** OR **BLUESKIN PRESEAL 435**. SUBSTRATE SHOWN IS FOR REFERENCE ONLY.
2. FASTEN PRE-APPLIED WATERPROOFING ONTO GRADE BEAM/FOOTING AS REQUIRED. SEAL FASTENERS WITH **HENRY 925 BES SEALANT** PRIOR TO **BLUESKIN PRESEAL TAPE 120V** INSTALLATION.
3. REFER TO PRODUCT SPECIFIC TECHNICAL DATA SHEET (TDS) AND GUIDE SPECIFICATION FOR INSTALLATION PROCEDURES.

Henry[®]

999 N. Pacific Coast Highway, Suite 800
 El Segundo, CA 90245
 800-486-1278 • www.henry.com

MANUFACTURER GUIDE DETAILS ARE FOR REFERENCE ONLY. HENRY DOES NOT ASSUME RESPONSIBILITY FOR ERRORS OR DEVIATIONS IN DESIGN OR ENGINEERING. PROJECT SPECIFIC VERIFICATION IS RECOMMENDED PRIOR TO INSTALLATION.

HENRY PRE-APPLIED WATERPROOFING SYSTEM

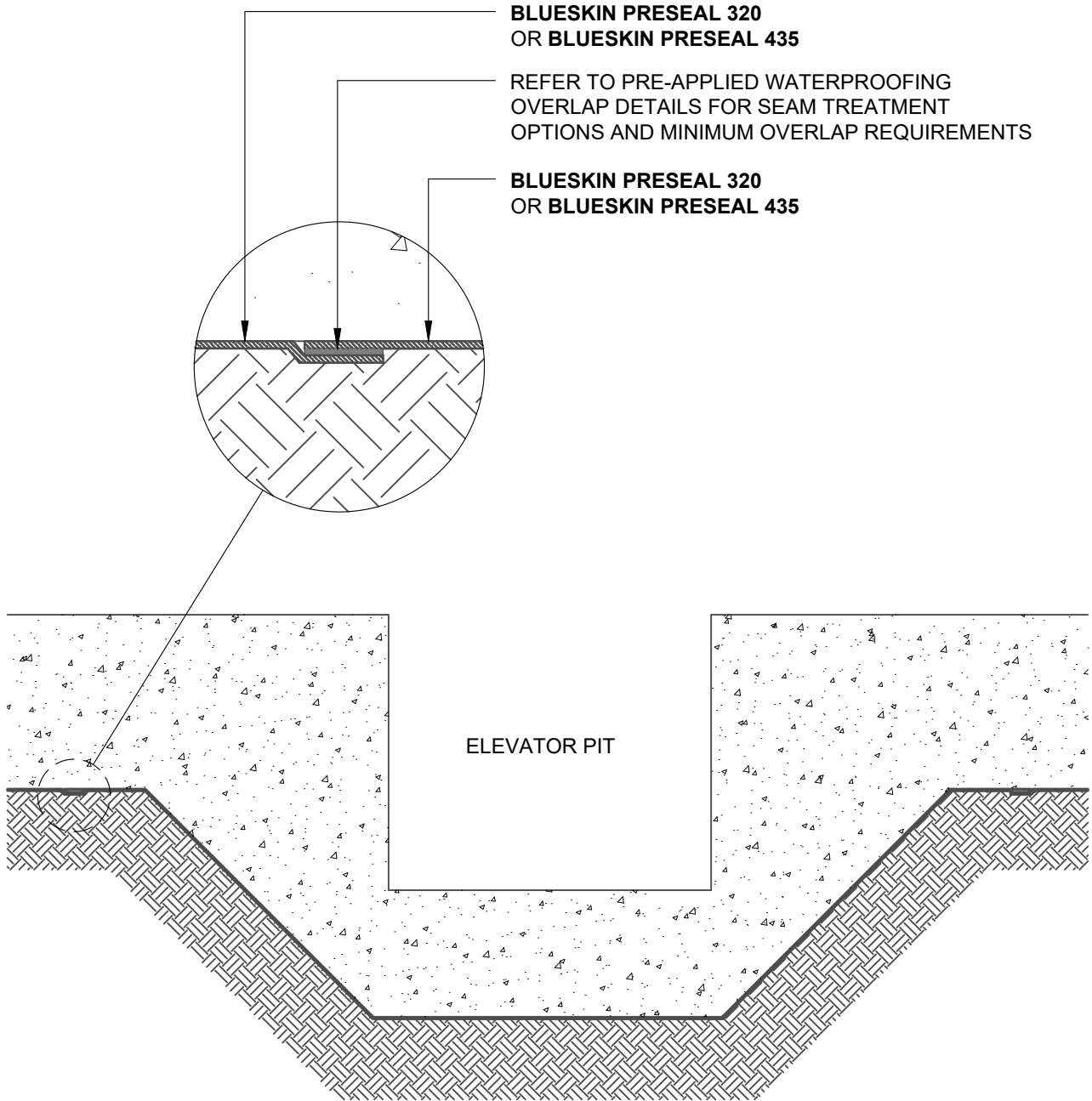
GRADE BEAM/FOOTING

**BLUESKIN PRESEAL 320 OR BLUESKIN PRESEAL 435
 NON-HYDROSTATIC**

SCALE: N.T.S.

03-10-2022

BSPS-4C2



NOTES:

1. DETAIL SHOWS HENRY PRE-APPLIED WATERPROOFING SYSTEM FOR APPLICATIONS USING HENRY **BLUESKIN PRESEAL 320** OR **BLUESKIN PRESEAL 435**. SUBSTRATE SHOWN IS FOR REFERENCE ONLY.
2. REFER TO PRODUCT SPECIFIC TECHNICAL DATA SHEET (TDS) AND GUIDE SPECIFICATION FOR INSTALLATION PROCEDURES.

Henry[®]

999 N. Pacific Coast Highway, Suite 800
El Segundo, CA 90245
800-486-1278 • www.henry.com

MANUFACTURER GUIDE DETAILS ARE FOR REFERENCE ONLY. HENRY DOES NOT ASSUME RESPONSIBILITY FOR ERRORS OR DEVIATIONS IN DESIGN OR ENGINEERING. PROJECT SPECIFIC VERIFICATION IS RECOMMENDED PRIOR TO INSTALLATION.

HENRY PRE-APPLIED WATERPROOFING SYSTEM

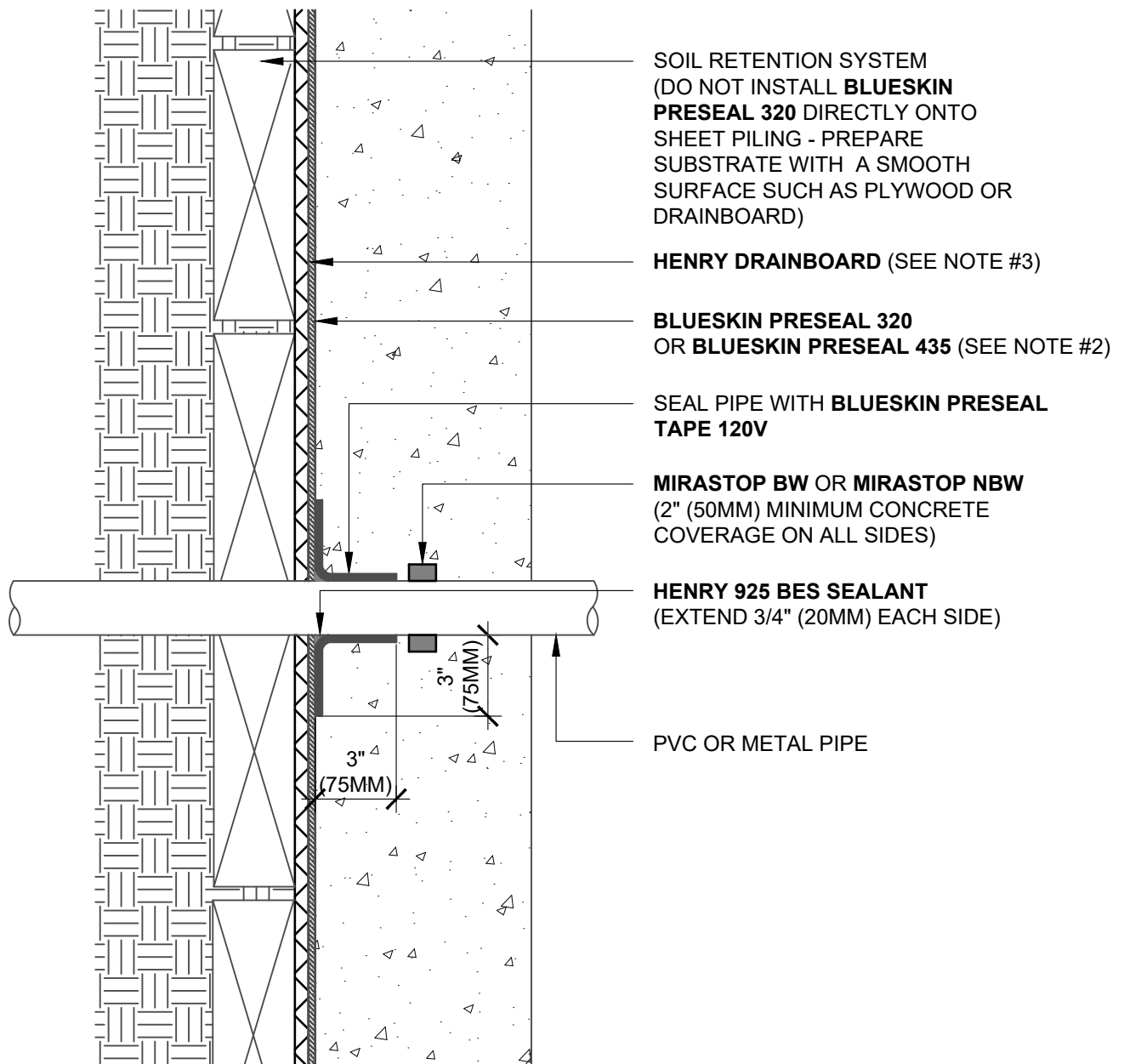
ELEVATOR PIT

**BLUESKIN PRESEAL 320 OR BLUESKIN PRESEAL 435
INSTALLED UNDER ELEVATOR PIT**

SCALE: N.T.S.

04-01-2021

BSPS-5A



NOTES:

1. DETAIL SHOWS HENRY PRE-APPLIED WATERPROOFING SYSTEM FOR APPLICATIONS USING HENRY **BLUESKIN PRESEAL 320** OR **BLUESKIN PRESEAL 435**. SUBSTRATE SHOWN IS FOR REFERENCE ONLY.
2. HENRY **BLUESKIN PRESEAL 435** CAN BE INSTALLED DIRECTLY ONTO SHEET PILING. **BLUESKIN PRESEAL 320** REQUIRES A SMOOTH SURFACE SUCH AS PLYWOOD OR DRAINBOARD.
3. HENRY RECOMMENDS THE USE OF A DRAINBOARD IN NON-HYDROSTATIC CONDITIONS, OR AS A SUBSTRATE PREPARATION.
4. REFER TO PRODUCT SPECIFIC TECHNICAL DATA SHEET (TDS) AND GUIDE SPECIFICATION FOR INSTALLATION PROCEDURES.

Henry[®]

999 N. Pacific Coast Highway, Suite 800
El Segundo, CA 90245
800-486-1278 • www.henry.com

MANUFACTURER GUIDE DETAILS ARE FOR REFERENCE ONLY. HENRY DOES NOT ASSUME RESPONSIBILITY FOR ERRORS OR DEVIATIONS IN DESIGN OR ENGINEERING. PROJECT SPECIFIC VERIFICATION IS RECOMMENDED PRIOR TO INSTALLATION.

HENRY PRE-APPLIED WATERPROOFING SYSTEM

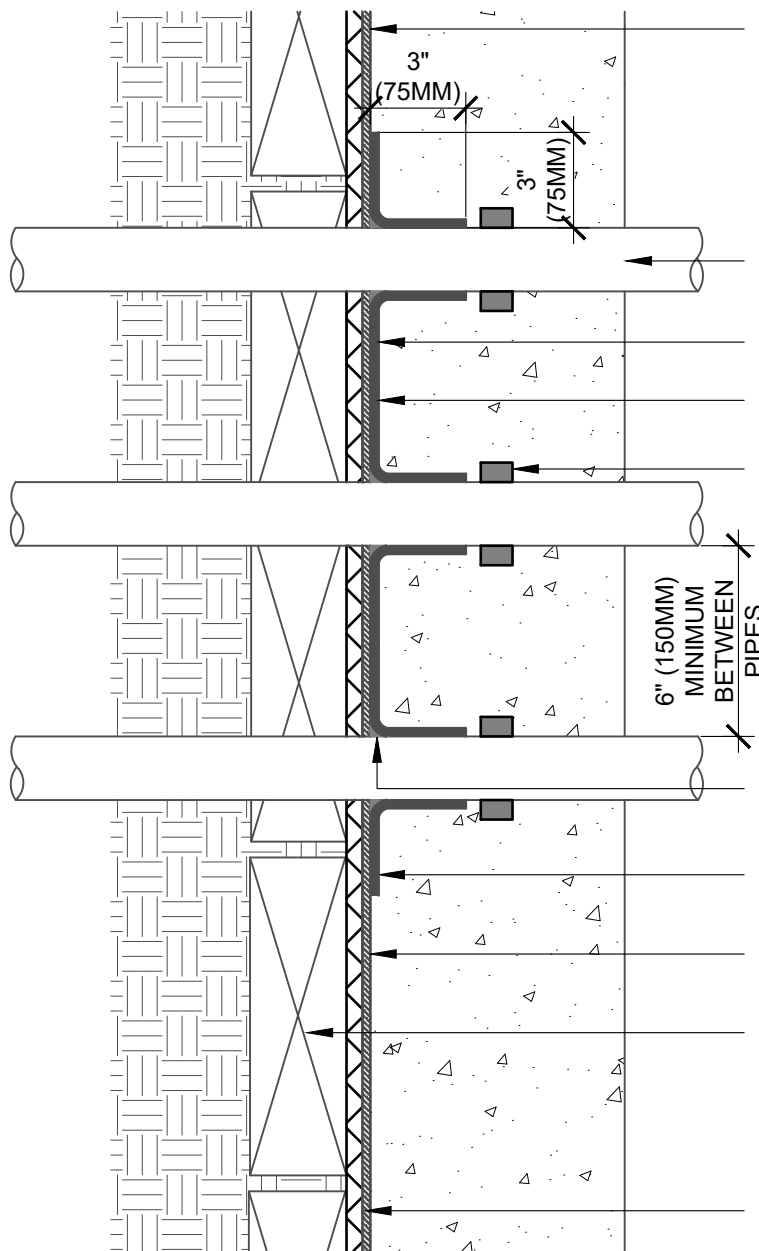
WALL PENETRATION

BLUESKIN PRESEAL 320 OR BLUESKIN PRESEAL 435
WALL PENETRATION - SINGLE PIPE

SCALE: N.T.S.

03-10-2022

BSPS-6A1



BLUESKIN PRESEAL 320
OR **BLUESKIN PRESEAL 435** (SEE NOTE #2)

PVC OR METAL PIPE

BLUESKIN PRESEAL TAPE 120V

BLUESKIN PRESEAL TAPE 120V

SYNKO-FLEX WATERSTOP, MIRASTOP BW,
OR **MIRASTOP NBW** (SEE NOTE #4)

6" (150MM)
MINIMUM
BETWEEN
PIPES

HENRY 925 BES SEALANT
(EXTEND 3/4" (20MM) EACH SIDE)

BLUESKIN PRESEAL TAPE 120V

BLUESKIN PRESEAL 320
OR **BLUESKIN PRESEAL 435** (SEE NOTE #2)

SOIL RETENTION SYSTEM
(DO NOT INSTALL **BLUESKIN PRESEAL 320**
DIRECTLY ONTO SHEET PILING - PREPARE
SUBSTRATE WITH A SMOOTH SURFACE SUCH
AS PLYWOOD OR DRAINBOARD)

HENRY DRAINBOARD (SEE NOTE #3)

NOTES:

1. DETAIL SHOWS HENRY PRE-APPLIED WATERPROOFING SYSTEM FOR APPLICATIONS USING HENRY **BLUESKIN PRESEAL 320** OR **BLUESKIN PRESEAL 435**. SUBSTRATE SHOWN IS FOR REFERENCE ONLY.
2. HENRY **BLUESKIN PRESEAL 435** CAN BE INSTALLED DIRECTLY ONTO SHEET PILING. **BLUESKIN PRESEAL 320** REQUIRES A SMOOTH SURFACE SUCH AS PLYWOOD OR DRAINBOARD.
3. HENRY RECOMMENDS THE USE OF A DRAINBOARD IN NON-HYDROSTATIC CONDITIONS, OR AS A SUBSTRATE PREPARATION.
4. REFER TO PRODUCT SPECIFIC TECHNICAL DATA SHEET (TDS) AND GUIDE SPECIFICATION FOR INSTALLATION PROCEDURES.

Henry[®]

999 N. Pacific Coast Highway, Suite 800
El Segundo, CA 90245
800-486-1278 • www.henry.com

MANUFACTURER GUIDE DETAILS ARE FOR REFERENCE ONLY. HENRY DOES NOT ASSUME RESPONSIBILITY FOR ERRORS OR DEVIATIONS IN DESIGN OR ENGINEERING. PROJECT SPECIFIC VERIFICATION IS RECOMMENDED PRIOR TO INSTALLATION.

HENRY PRE-APPLIED WATERPROOFING SYSTEM

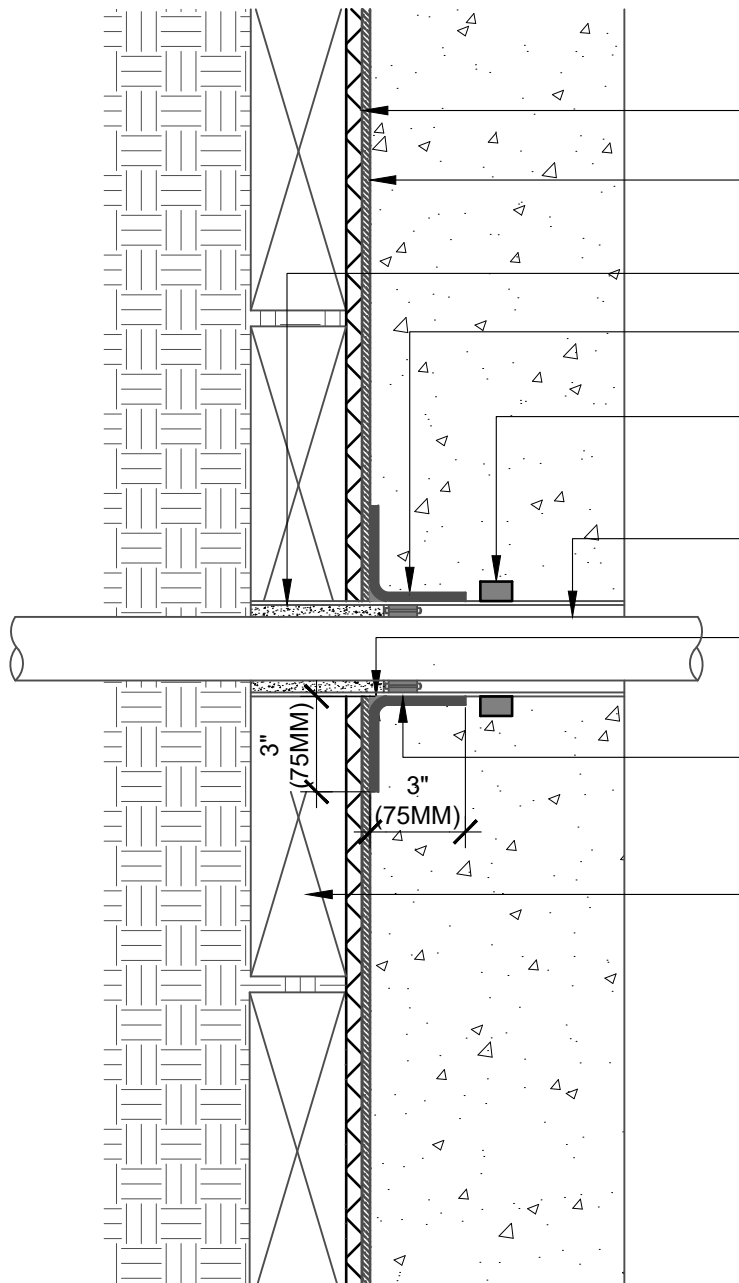
WALL PENETRATION

BLUESKIN PRESEAL 320 OR BLUESKIN PRESEAL 435
WALL PENETRATION - MULTIPLE PIPES

SCALE: N.T.S.

03-10-2022

BSPS-6A2



- HENRY DRAINBOARD (SEE NOTE #3)
- BLUESKIN PRESEAL 320
OR BLUESKIN PRESEAL 435 (SEE NOTE #2)
- NON SHRINK GROUT (BY OTHERS)
- SEAL PIPE WITH **BLUESKIN PRESEAL TAPE 120V**
- MIRASTOP BW OR MIRASTOP NBW**
(2" (50MM) MINIMUM CONCRETE
COVERAGE ON ALL SIDES)
- PVC OR METAL PIPE
- HENRY 925 BES SEALANT**
(EXTEND 3/4" (20MM) EACH SIDE)
- MECHANICAL SEAL BY OTHERS
(WATER TIGHT INTEGRITY OF
SLEEVE BY OTHERS)
- SOIL RETENTION SYSTEM
(DO NOT INSTALL **BLUESKIN
PRESEAL 320** DIRECTLY ONTO
SHEET PILING - PREPARE
SUBSTRATE WITH A SMOOTH
SURFACE SUCH AS PLYWOOD OR
DRAINBOARD)

NOTES:

1. DETAIL SHOWS HENRY PRE-APPLIED WATERPROOFING SYSTEM FOR APPLICATIONS USING HENRY **BLUESKIN PRESEAL 320** OR **BLUESKIN PRESEAL 435**. SUBSTRATE SHOWN IS FOR REFERENCE ONLY.
2. HENRY **BLUESKIN PRESEAL 435** CAN BE INSTALLED DIRECTLY ONTO SHEET PILING. **BLUESKIN PRESEAL 320** REQUIRES A SMOOTH SURFACE SUCH AS PLYWOOD OR DRAINBOARD.
3. HENRY RECOMMENDS THE USE OF A DRAINBOARD IN NON-HYDROSTATIC CONDITIONS, OR AS A SUBSTRATE PREPARATION.
4. REFER TO PRODUCT SPECIFIC TECHNICAL DATA SHEET (TDS) AND GUIDE SPECIFICATION FOR INSTALLATION PROCEDURES.



999 N. Pacific Coast Highway, Suite 800
El Segundo, CA 90245
800-486-1278 • www.henry.com

MANUFACTURER GUIDE DETAILS ARE FOR REFERENCE ONLY. HENRY DOES NOT ASSUME RESPONSIBILITY FOR ERRORS OR DEVIATIONS IN DESIGN OR ENGINEERING. PROJECT SPECIFIC VERIFICATION IS RECOMMENDED PRIOR TO INSTALLATION.

HENRY PRE-APPLIED WATERPROOFING SYSTEM

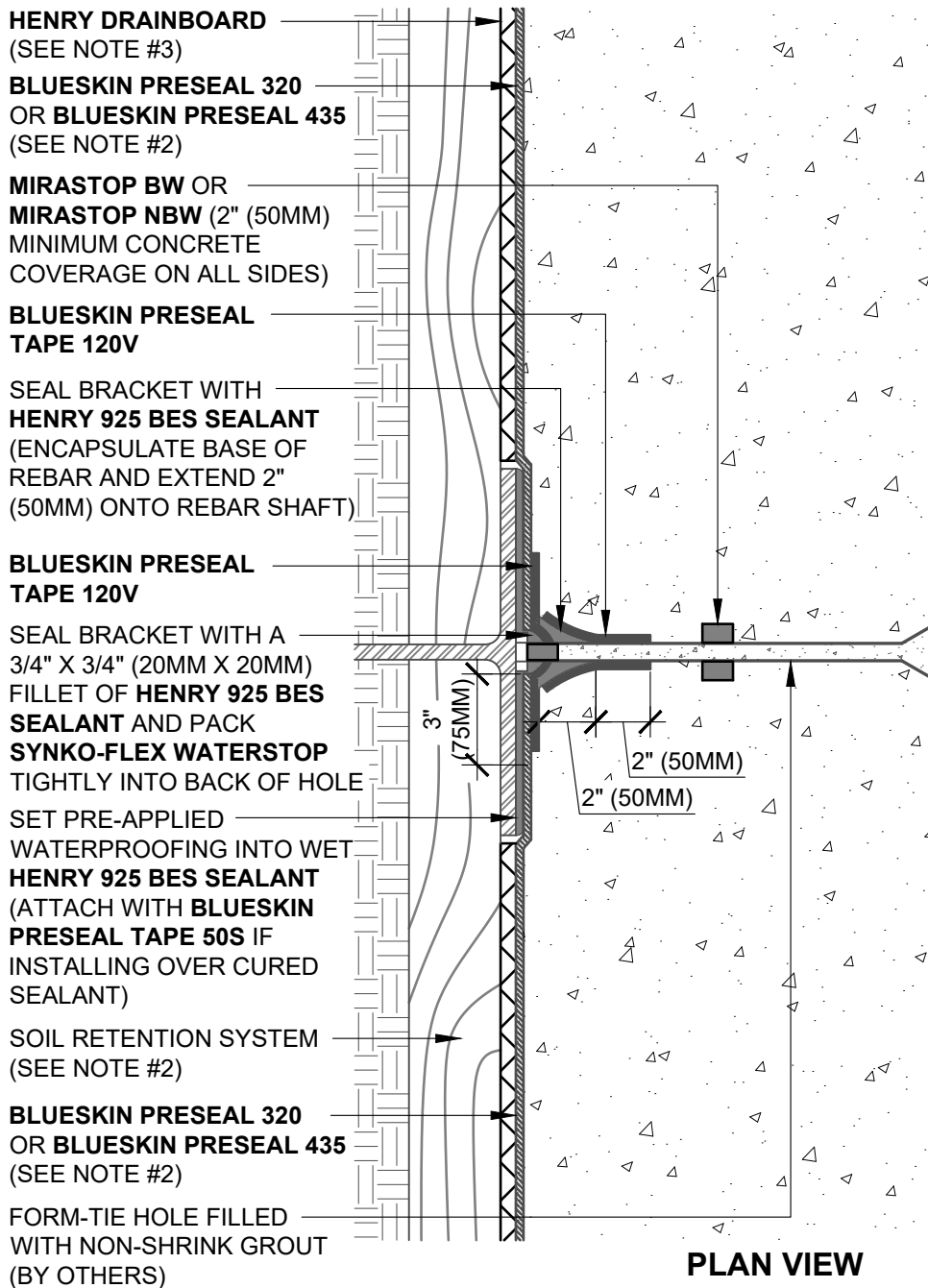
WALL PENETRATION

**BLUESKIN PRESEAL 320 OR BLUESKIN PRESEAL 435
WALL PENETRATION - SINGLE PIPE SLEEVE**

SCALE: N.T.S.

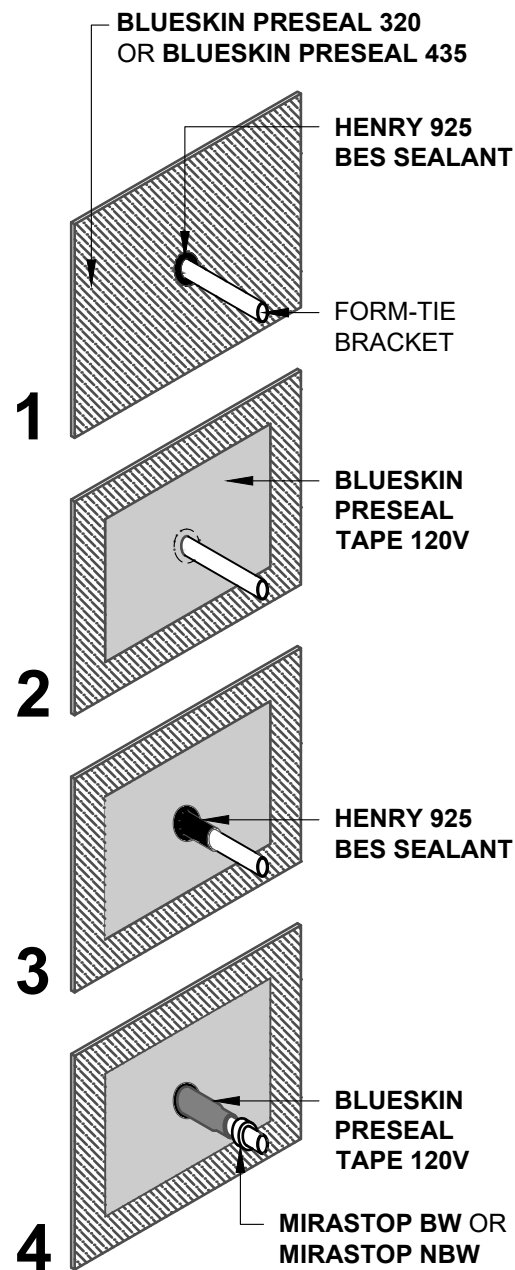
03-10-2022

BSPS-6B1



PLAN VIEW

SOLDIER PILE AT WOOD LAGGING



FORM-TIE FLASHING

STEP-BY-STEP INSTRUCTIONS

NOTES:

1. DETAIL SHOWS HENRY PRE-APPLIED WATERPROOFING SYSTEM FOR APPLICATIONS USING HENRY **BLUESKIN PRESEAL 320** OR **BLUESKIN PRESEAL 435**. SUBSTRATE SHOWN IS FOR REFERENCE ONLY.
2. HENRY **BLUESKIN PRESEAL 435** CAN BE INSTALLED DIRECTLY ONTO SHEET PILING. **BLUESKIN PRESEAL 320** REQUIRES A SMOOTH SURFACE SUCH AS PLYWOOD OR DRAINBOARD.
3. HENRY RECOMMENDS THE USE OF A DRAINBOARD IN NON-HYDROSTATIC CONDITIONS, OR AS A SUBSTRATE PREPARATION.
4. REFER TO PRODUCT SPECIFIC TECHNICAL DATA SHEET (TDS) AND GUIDE SPECIFICATION FOR INSTALLATION PROCEDURES.



999 N. Pacific Coast Highway, Suite 800
 El Segundo, CA 90245
 800-486-1278 • www.henry.com

MANUFACTURER GUIDE DETAILS ARE FOR REFERENCE ONLY. HENRY DOES NOT ASSUME RESPONSIBILITY FOR ERRORS OR DEVIATIONS IN DESIGN OR ENGINEERING. PROJECT SPECIFIC VERIFICATION IS RECOMMENDED PRIOR TO INSTALLATION.

HENRY PRE-APPLIED WATERPROOFING SYSTEM

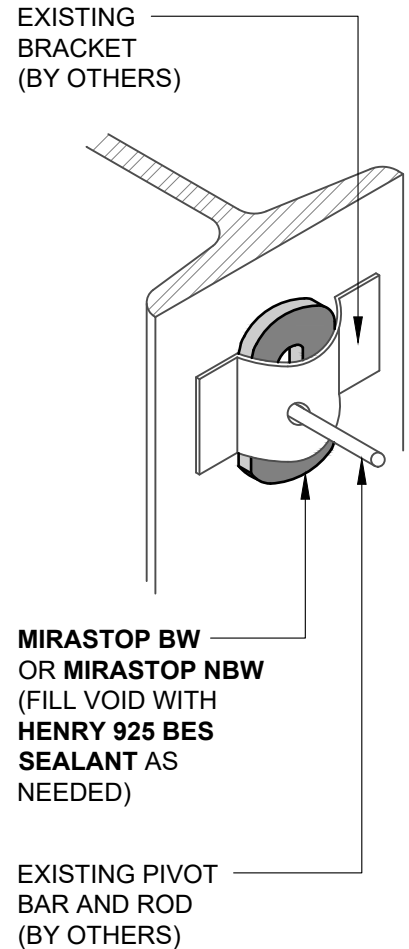
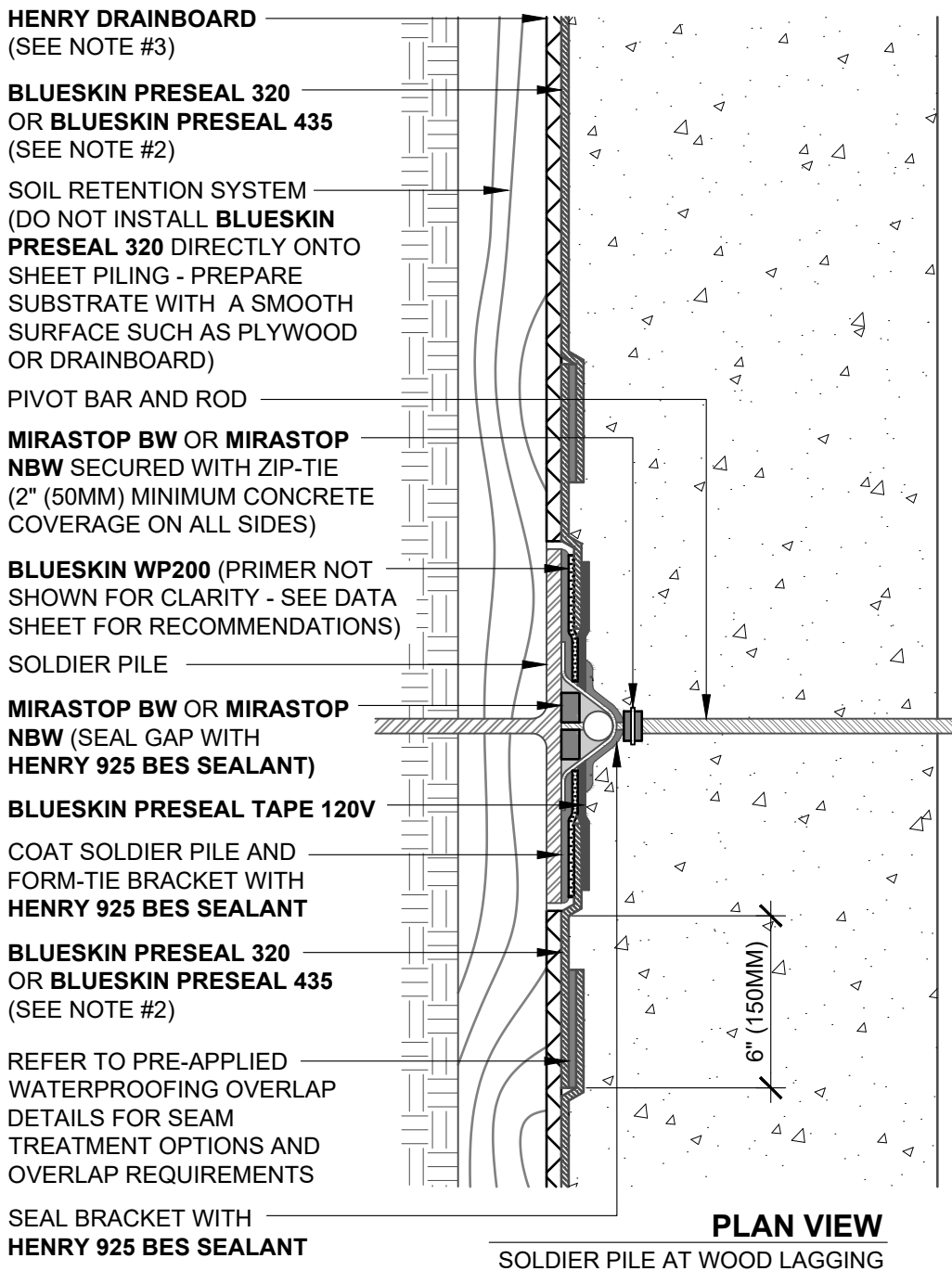
FORM-TIE

BLUESKIN PRESEAL 320 OR BLUESKIN PRESEAL 435
ALL THREAD FORM-TIE AT SOLDIER PILE

SCALE: N.T.S.

03-10-2022

BSPS-6E3



PLAN VIEW

SOLDIER PILE AT WOOD LAGGING

HENRY WATERSTOP

EXISTING PIVOT BAR AND ROD

NOTES:

1. DETAIL SHOWS HENRY PRE-APPLIED WATERPROOFING SYSTEM FOR APPLICATIONS USING HENRY **BLUESKIN PRESEAL 320** OR **BLUESKIN PRESEAL 435**. SUBSTRATE SHOWN IS FOR REFERENCE ONLY.
2. HENRY **BLUESKIN PRESEAL 435** CAN BE INSTALLED DIRECTLY ONTO SHEET PILING. **BLUESKIN PRESEAL 320** REQUIRES A SMOOTH SURFACE SUCH AS PLYWOOD OR DRAINBOARD.
3. HENRY RECOMMENDS THE USE OF A DRAINBOARD IN NON-HYDROSTATIC CONDITIONS, OR AS A SUBSTRATE PREPARATION.
4. REFER TO PRODUCT SPECIFIC TECHNICAL DATA SHEET (TDS) AND GUIDE SPECIFICATION FOR INSTALLATION PROCEDURES.



999 N. Pacific Coast Highway, Suite 800
 El Segundo, CA 90245
 800-486-1278 • www.henry.com

MANUFACTURER GUIDE DETAILS ARE FOR REFERENCE ONLY. HENRY DOES NOT ASSUME RESPONSIBILITY FOR ERRORS OR DEVIATIONS IN DESIGN OR ENGINEERING. PROJECT SPECIFIC VERIFICATION IS RECOMMENDED PRIOR TO INSTALLATION.

HENRY PRE-APPLIED WATERPROOFING SYSTEM

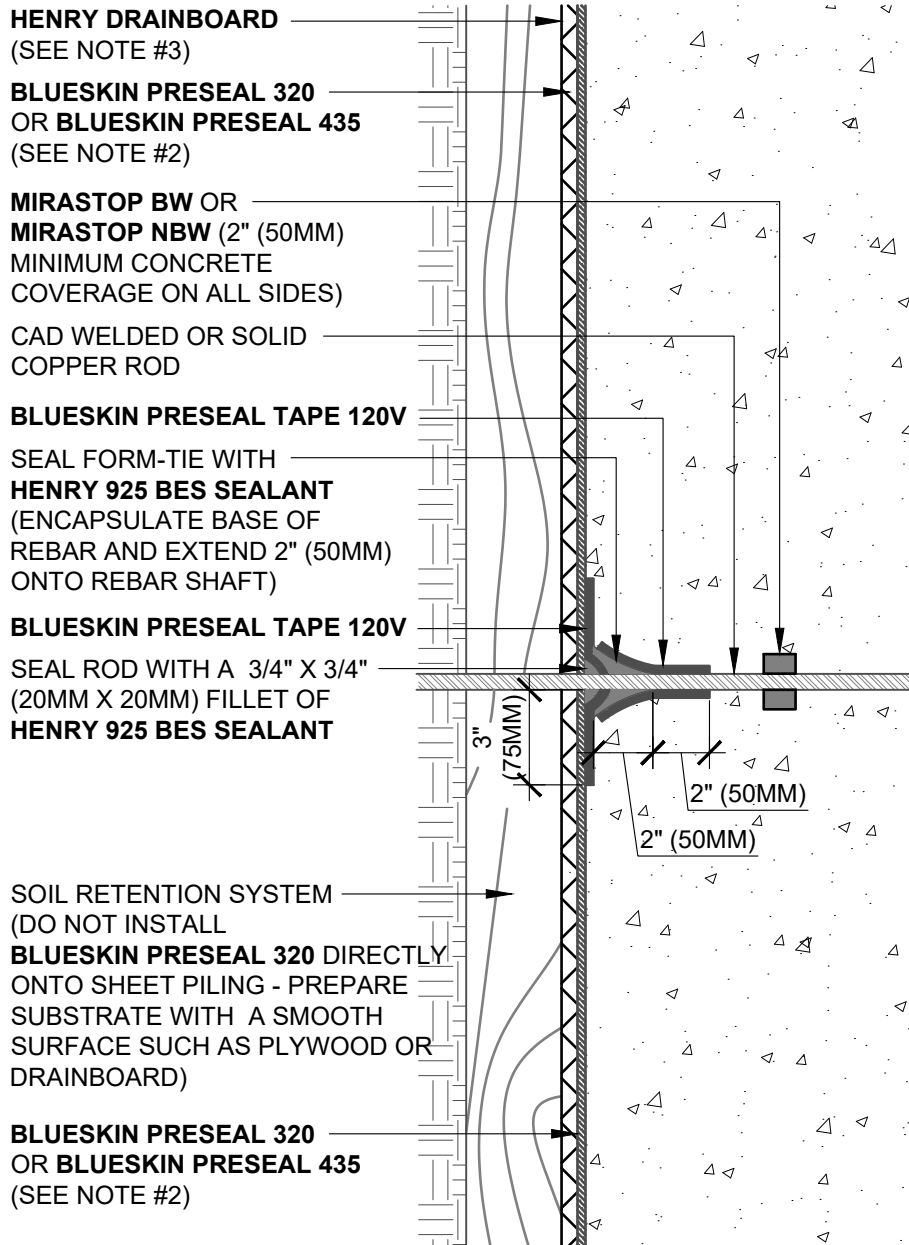
FORM-TIE

BLUESKIN PRESEAL 320 OR BLUESKIN PRESEAL 435
ALL THREAD FORM-TIE AT SOLDIER PILE

SCALE: N.T.S.

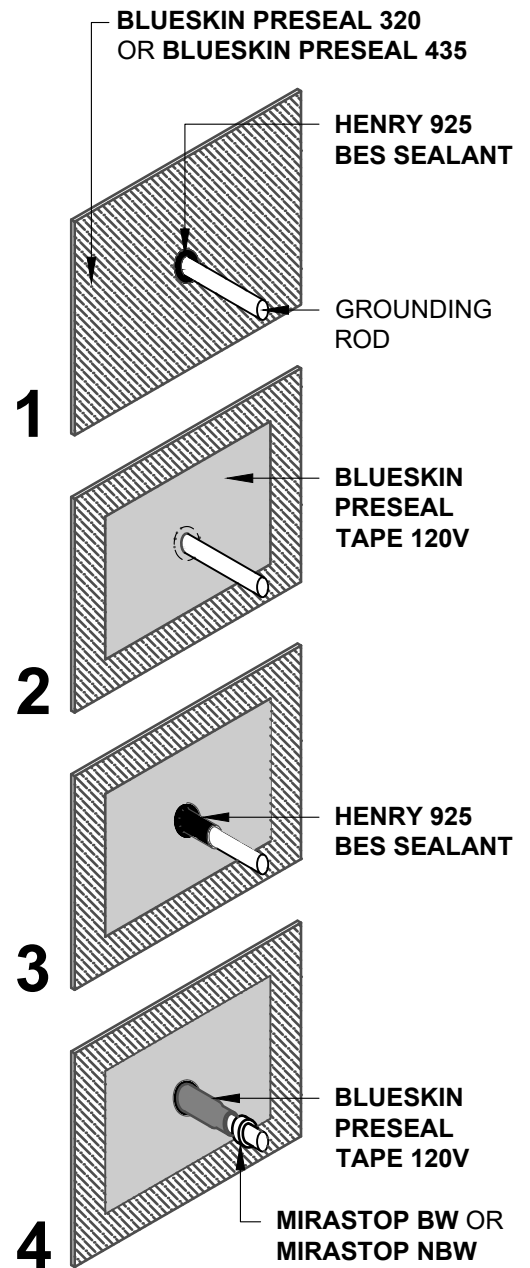
03-10-2022

BSPS-6E4B



PLAN VIEW

GROUNDING ROD AT WOOD LAGGING



GROUNDING ROD FLASHING

STEP-BY-STEP INSTRUCTIONS

NOTES:

1. DETAIL SHOWS HENRY PRE-APPLIED WATERPROOFING SYSTEM FOR APPLICATIONS USING HENRY **BLUESKIN PRESEAL 320** OR **BLUESKIN PRESEAL 435**. SUBSTRATE SHOWN IS FOR REFERENCE ONLY.
2. HENRY **BLUESKIN PRESEAL 435** CAN BE INSTALLED DIRECTLY ONTO SHEET PILING. **BLUESKIN PRESEAL 320** REQUIRES A SMOOTH SURFACE SUCH AS PLYWOOD OR DRAINBOARD.
3. HENRY RECOMMENDS THE USE OF A DRAINBOARD IN NON-HYDROSTATIC CONDITIONS, OR AS A SUBSTRATE PREPARATION.
4. REFER TO PRODUCT SPECIFIC TECHNICAL DATA SHEET (TDS) AND GUIDE SPECIFICATION FOR INSTALLATION PROCEDURES.



999 N. Pacific Coast Highway, Suite 800
 El Segundo, CA 90245
 800-486-1278 • www.henry.com

MANUFACTURER GUIDE DETAILS ARE FOR REFERENCE ONLY. HENRY DOES NOT ASSUME RESPONSIBILITY FOR ERRORS OR DEVIATIONS IN DESIGN OR ENGINEERING. PROJECT SPECIFIC VERIFICATION IS RECOMMENDED PRIOR TO INSTALLATION.

HENRY PRE-APPLIED WATERPROOFING SYSTEM

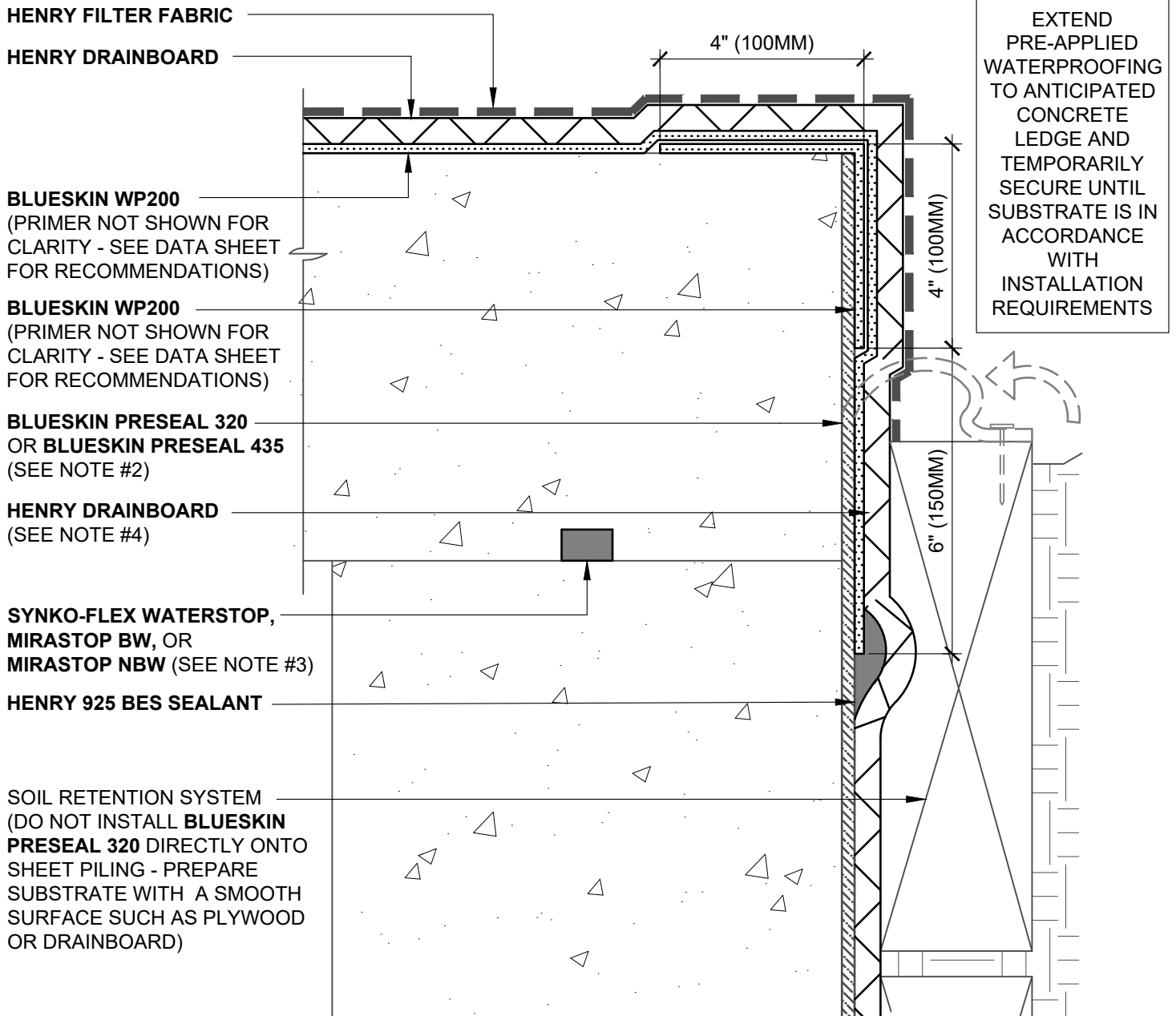
GROUNDING ROD

**BLUESKIN PRESEAL 320 OR BLUESKIN PRESEAL 435
 PRE-APPLIED WATERPROOFING PATCH**

SCALE: N.T.S.

03-10-2022

BSPS-6F1



NOTES:

1. DETAIL SHOWS HENRY PRE-APPLIED WATERPROOFING SYSTEM FOR APPLICATIONS USING HENRY **BLUESKIN PRESEAL 320** OR **BLUESKIN PRESEAL 435**. SUBSTRATE SHOWN IS FOR REFERENCE ONLY.
2. HENRY **BLUESKIN PRESEAL 435** CAN BE INSTALLED DIRECTLY ONTO SHEET PILING. **BLUESKIN PRESEAL 320** REQUIRES A SMOOTH SURFACE SUCH AS PLYWOOD OR DRAINBOARD.
3. APPLICATIONS USING SWELLABLE WATERSTOPS: 2" (50MM) MINIMUM CONCRETE COVERAGE ON ALL SIDES.
4. HENRY RECOMMENDS THE USE OF A DRAINBOARD IN NON-HYDROSTATIC CONDITIONS, OR AS A SUBSTRATE PREPARATION.
5. REFER TO PRODUCT SPECIFIC TECHNICAL DATA SHEET (TDS) AND GUIDE SPECIFICATION FOR INSTALLATION PROCEDURES.

Henry®

999 N. Pacific Coast Highway, Suite 800
El Segundo, CA 90245
800-486-1278 • www.henry.com

MANUFACTURER GUIDE DETAILS ARE FOR REFERENCE ONLY. HENRY DOES NOT ASSUME RESPONSIBILITY FOR ERRORS OR DEVIATIONS IN DESIGN OR ENGINEERING. PROJECT SPECIFIC VERIFICATION IS RECOMMENDED PRIOR TO INSTALLATION.

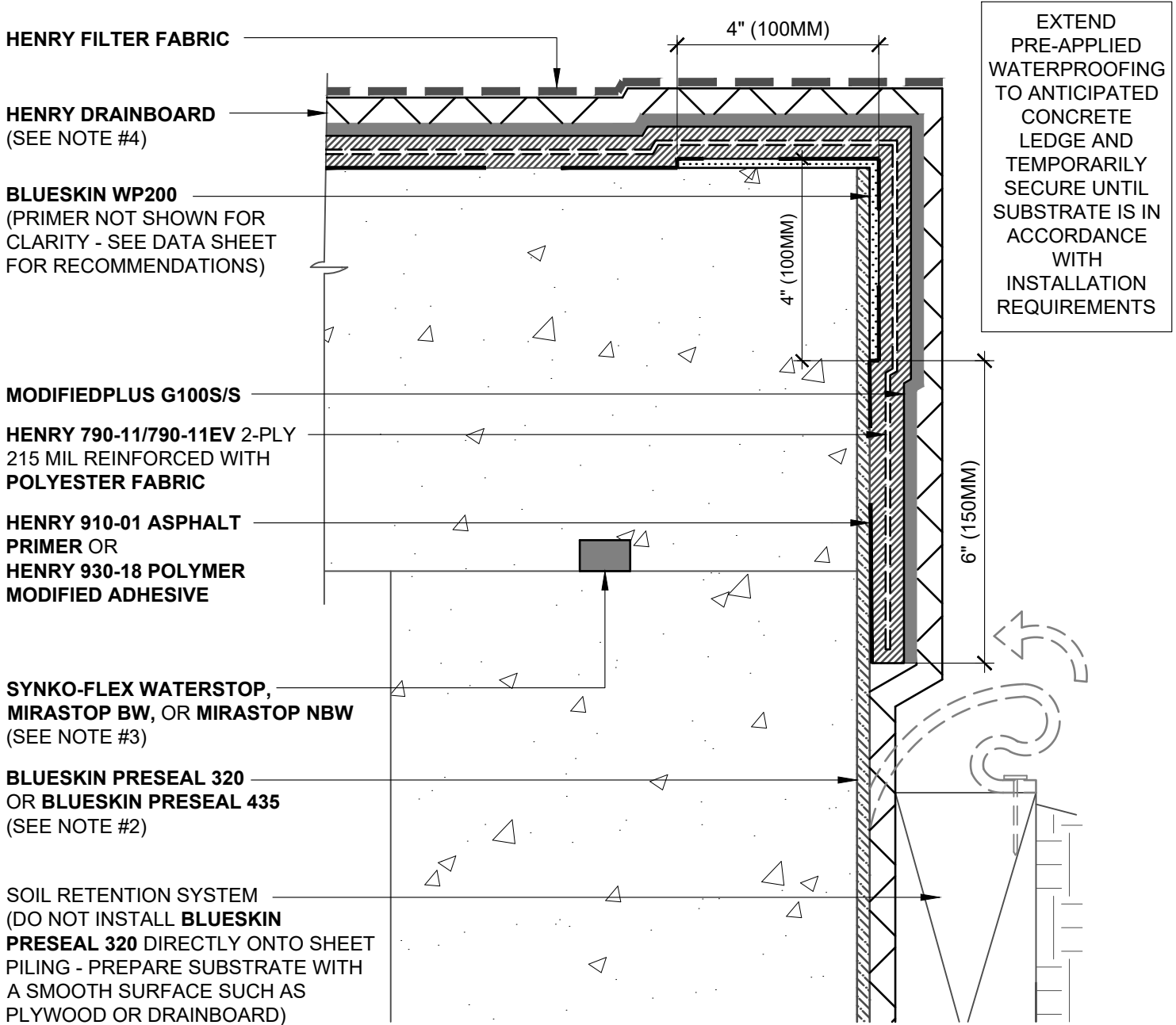
HENRY PRE-APPLIED WATERPROOFING SYSTEM

DECK TO WALL TRANSITION
BLUESKIN PRESEAL 320 OR BLUESKIN PRESEAL 435
TRANSITION WITH BLUESKIN WP200

SCALE: N.T.S.

03-10-2022

BSPS-7A1



NOTES:

1. DETAIL SHOWS HENRY PRE-APPLIED WATERPROOFING SYSTEM FOR APPLICATIONS USING HENRY **BLUESKIN PRESEAL 320** OR **BLUESKIN PRESEAL 435**. SUBSTRATE SHOWN IS FOR REFERENCE ONLY.
2. HENRY **BLUESKIN PRESEAL 435** CAN BE INSTALLED DIRECTLY ONTO SHEET PILING. **BLUESKIN PRESEAL 320** REQUIRES A SMOOTH SURFACE SUCH AS PLYWOOD OR DRAINBOARD.
3. APPLICATIONS USING SWELLABLE WATERSTOPS: 2" (50MM) MINIMUM CONCRETE COVERAGE ON ALL SIDES.
4. HENRY RECOMMENDS THE USE OF A DRAINBOARD IN NON-HYDROSTATIC CONDITIONS, OR AS A SUBSTRATE PREPARATION.
5. REFER TO PRODUCT SPECIFIC TECHNICAL DATA SHEET (TDS) AND GUIDE SPECIFICATION FOR INSTALLATION PROCEDURES.

Henry[®]

999 N. Pacific Coast Highway, Suite 800
El Segundo, CA 90245
800-486-1278 • www.henry.com

MANUFACTURER GUIDE DETAILS ARE FOR REFERENCE ONLY. HENRY DOES NOT ASSUME RESPONSIBILITY FOR ERRORS OR DEVIATIONS IN DESIGN OR ENGINEERING. PROJECT SPECIFIC VERIFICATION IS RECOMMENDED PRIOR TO INSTALLATION.

HENRY PRE-APPLIED WATERPROOFING SYSTEM

DECK TO WALL TRANSITION
BLUESKIN PRESEAL 320 OR BLUESKIN PRESEAL 435
TRANSITION WITH HENRY 790-11/HENRY 790-11EV

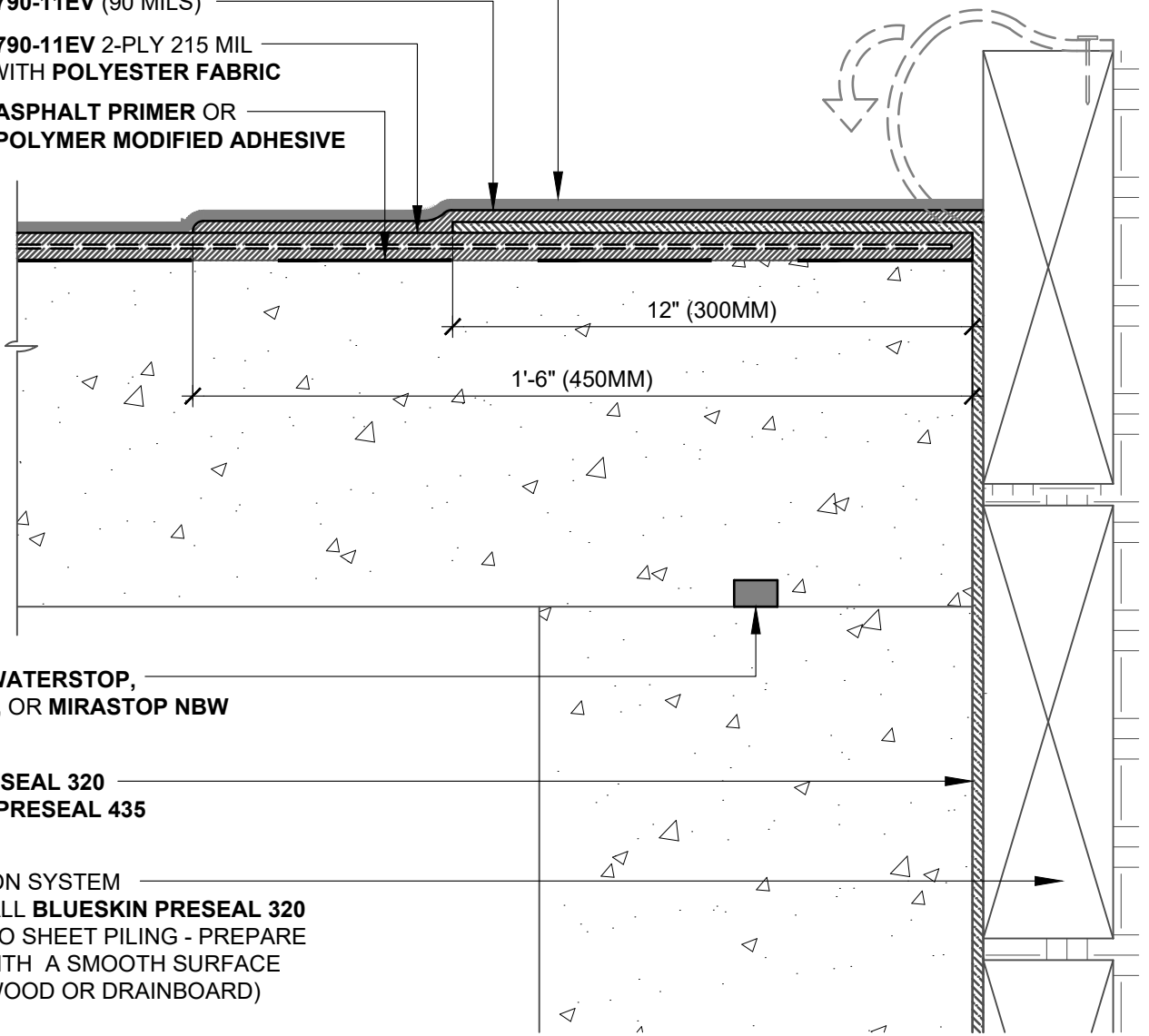
SCALE: N.T.S.

03-10-2022

BSPS-7A2

EXTEND PRE-APPLIED WATERPROOFING 12" (300MM) BEYOND ANTICIPATED CONCRETE LEDGE AND TEMPORARILY SECURE UNTIL SUBSTRATE IS IN ACCORDANCE WITH INSTALLATION REQUIREMENTS

MODIFIEDPLUS G100S/S
HENRY 790-11/790-11EV (90 MILS)
HENRY 790-11/790-11EV 2-PLY 215 MIL REINFORCED WITH POLYESTER FABRIC
HENRY 910-01 ASPHALT PRIMER OR HENRY 930-18 POLYMER MODIFIED ADHESIVE



SYNKO-FLEX WATERSTOP, MIRASTOP BW, OR MIRASTOP NBW
 (SEE NOTE #3)

BLUESKIN PRESEAL 320 OR BLUESKIN PRESEAL 435
 (SEE NOTE #2)

SOIL RETENTION SYSTEM
 (DO NOT INSTALL **BLUESKIN PRESEAL 320** DIRECTLY ONTO SHEET PILING - PREPARE SUBSTRATE WITH A SMOOTH SURFACE SUCH AS PLYWOOD OR DRAINBOARD)

NOTES:

1. DETAIL SHOWS HENRY PRE-APPLIED WATERPROOFING SYSTEM FOR APPLICATIONS USING HENRY **BLUESKIN PRESEAL 320** OR **BLUESKIN PRESEAL 435**. SUBSTRATE SHOWN IS FOR REFERENCE ONLY.
2. HENRY **BLUESKIN PRESEAL 435** CAN BE INSTALLED DIRECTLY ONTO SHEET PILING. **BLUESKIN PRESEAL 320** REQUIRES A SMOOTH SURFACE SUCH AS PLYWOOD OR DRAINBOARD.
3. APPLICATIONS USING SWELLABLE WATERSTOPS: 2" (50MM) MINIMUM CONCRETE COVERAGE ON ALL SIDES.
4. HENRY RECOMMENDS THE USE OF A DRAINBOARD IN NON-HYDROSTATIC CONDITIONS, OR AS A SUBSTRATE PREPARATION.
5. REFER TO PRODUCT SPECIFIC TECHNICAL DATA SHEET (TDS) AND GUIDE SPECIFICATION FOR INSTALLATION PROCEDURES.

Henry[®]

999 N. Pacific Coast Highway, Suite 800
 El Segundo, CA 90245
 800-486-1278 • www.henry.com

MANUFACTURER GUIDE DETAILS ARE FOR REFERENCE ONLY. HENRY DOES NOT ASSUME RESPONSIBILITY FOR ERRORS OR DEVIATIONS IN DESIGN OR ENGINEERING. PROJECT SPECIFIC VERIFICATION IS RECOMMENDED PRIOR TO INSTALLATION.

HENRY PRE-APPLIED WATERPROOFING SYSTEM

DECK TO WALL TRANSITION
BLUESKIN PRESEAL 320 OR BLUESKIN PRESEAL 435
TRANSITION WITH HENRY 790-11

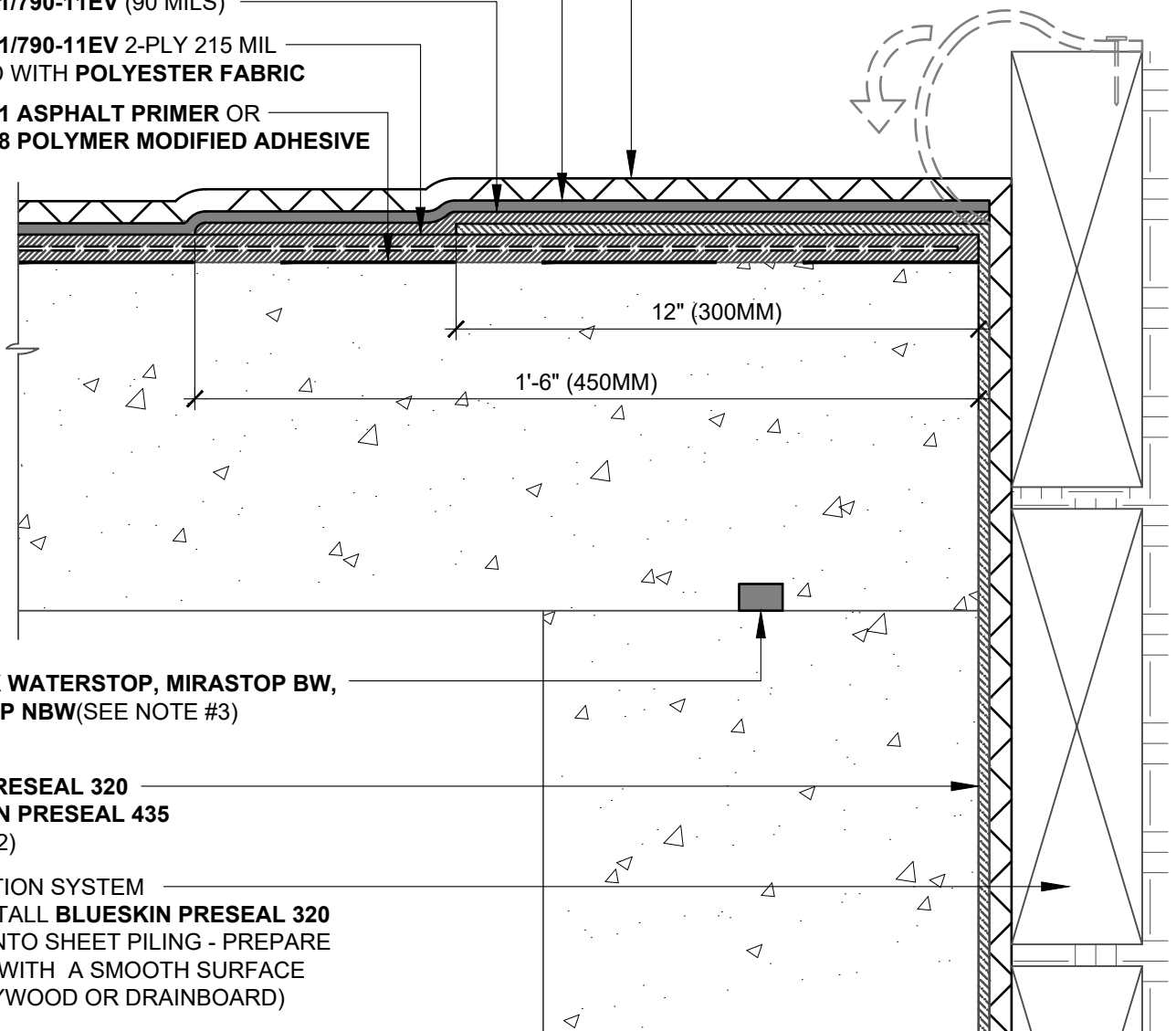
SCALE: N.T.S.

03-10-2022

BSPS-7B1

EXTEND PRE-APPLIED WATERPROOFING 12" (300MM) BEYOND ANTICIPATED CONCRETE LEDGE AND TEMPORARILY SECURE UNTIL SUBSTRATE IS IN ACCORDANCE WITH INSTALLATION REQUIREMENTS

- HENRY DRAINBOARD
- MODIFIEDPLUS G100S/S
- HENRY 790-11/790-11EV (90 MILS)
- HENRY 790-11/790-11EV 2-PLY 215 MIL REINFORCED WITH POLYESTER FABRIC
- HENRY 910-01 ASPHALT PRIMER OR HENRY 930-18 POLYMER MODIFIED ADHESIVE



SYNKO-FLEX WATERSTOP, MIRASTOP BW, OR MIRASTOP NBW (SEE NOTE #3)

BLUESKIN PRESEAL 320 OR BLUESKIN PRESEAL 435 (SEE NOTE #2)

SOIL RETENTION SYSTEM (DO NOT INSTALL BLUESKIN PRESEAL 320 DIRECTLY ONTO SHEET PILING - PREPARE SUBSTRATE WITH A SMOOTH SURFACE SUCH AS PLYWOOD OR DRAINBOARD)

NOTES:

1. DETAIL SHOWS HENRY PRE-APPLIED WATERPROOFING SYSTEM FOR APPLICATIONS USING HENRY **BLUESKIN PRESEAL 320** OR **BLUESKIN PRESEAL 435**. SUBSTRATE SHOWN IS FOR REFERENCE ONLY.
2. HENRY **BLUESKIN PRESEAL 435** CAN BE INSTALLED DIRECTLY ONTO SHEET PILING. **BLUESKIN PRESEAL 320** REQUIRES A SMOOTH SURFACE SUCH AS PLYWOOD OR DRAINBOARD.
3. APPLICATIONS USING SWELLABLE WATERSTOPS: 2" (50MM) MINIMUM CONCRETE COVERAGE ON ALL SIDES.
4. HENRY RECOMMENDS THE USE OF A DRAINBOARD IN NON-HYDROSTATIC CONDITIONS, OR AS A SUBSTRATE PREPARATION.
5. REFER TO PRODUCT SPECIFIC TECHNICAL DATA SHEET (TDS) AND GUIDE SPECIFICATION FOR INSTALLATION PROCEDURES.



999 N. Pacific Coast Highway, Suite 800
 El Segundo, CA 90245
 800-486-1278 • www.henry.com

MANUFACTURER GUIDE DETAILS ARE FOR REFERENCE ONLY. HENRY DOES NOT ASSUME RESPONSIBILITY FOR ERRORS OR DEVIATIONS IN DESIGN OR ENGINEERING. PROJECT SPECIFIC VERIFICATION IS RECOMMENDED PRIOR TO INSTALLATION.

HENRY PRE-APPLIED WATERPROOFING SYSTEM

DECK TO WALL TRANSITION
BLUESKIN PRESEAL 320 OR BLUESKIN PRESEAL 435
TRANSITION WITH HENRY 790-11

SCALE: N.T.S. 03-10-2022

BSPS-7B2

HENRY DRAINBOARD
MODIFIEDPLUS G100S/S OR PROTECTION FABRIC GR08
 (SEE NOTE #5)

HENRY CM100 (60 MILS)

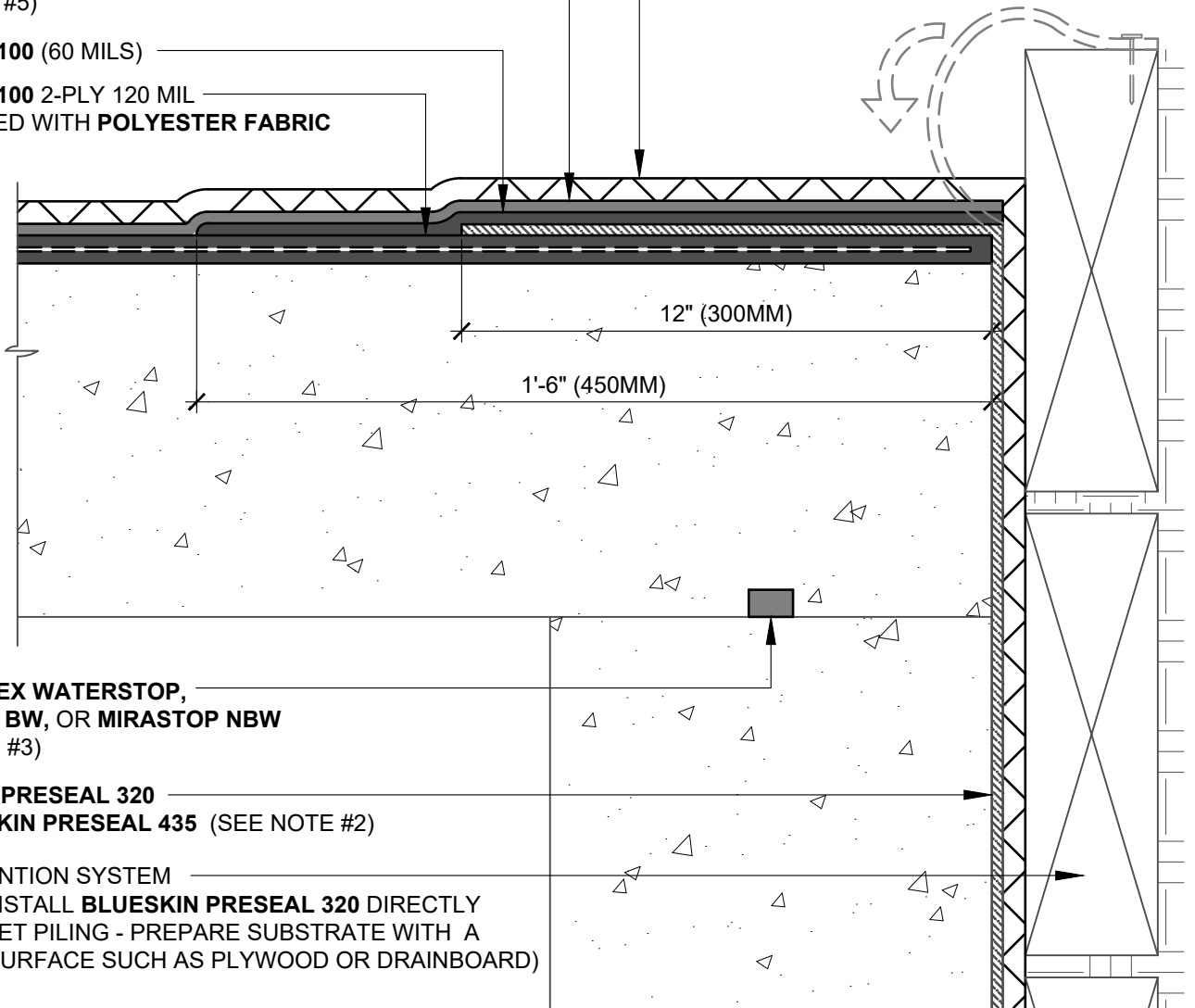
HENRY CM100 2-PLY 120 MIL
 REINFORCED WITH **POLYESTER FABRIC**

SYNKO-FLEX WATERSTOP,
MIRASTOP BW, OR MIRASTOP NBW
 (SEE NOTE #3)

BLUESKIN PRESEAL 320
 OR **BLUESKIN PRESEAL 435** (SEE NOTE #2)

SOIL RETENTION SYSTEM
 (DO NOT INSTALL **BLUESKIN PRESEAL 320** DIRECTLY
 ONTO SHEET PILING - PREPARE SUBSTRATE WITH A
 SMOOTH SURFACE SUCH AS PLYWOOD OR DRAINBOARD)

EXTEND PRE-APPLIED WATERPROOFING 12"
 (300MM) BEYOND ANTICIPATED CONCRETE
 LEDGE AND TEMPORARILY SECURE UNTIL
 SUBSTRATE IS IN ACCORDANCE WITH
 INSTALLATION REQUIREMENTS



NOTES:

1. DETAIL SHOWS HENRY PRE-APPLIED WATERPROOFING SYSTEM FOR APPLICATIONS USING HENRY **BLUESKIN PRESEAL 320** OR **BLUESKIN PRESEAL 435**. SUBSTRATE SHOWN IS FOR REFERENCE ONLY.
2. HENRY **BLUESKIN PRESEAL 435** CAN BE INSTALLED DIRECTLY ONTO SHEET PILING. **BLUESKIN PRESEAL 320** REQUIRES A SMOOTH SURFACE SUCH AS PLYWOOD OR DRAINBOARD.
3. APPLICATIONS USING SWELLABLE WATERSTOPS: 2" (50MM) MINIMUM CONCRETE COVERAGE ON ALL SIDES.
4. HENRY RECOMMENDS THE USE OF A DRAINBOARD IN NON-HYDROSTATIC CONDITIONS, OR AS A SUBSTRATE PREPARATION.
5. PROJECTS LOCATED IN CANADA MAY USE **HENRY 990-31 POLYPROPYLENE PROTECTION BOARD** IN LIEU OF STANDARD PROTECTION COURSE WHERE REQUIRED.
6. REFER TO PRODUCT SPECIFIC TECHNICAL DATA SHEET (TDS) AND GUIDE SPECIFICATION FOR INSTALLATION PROCEDURES.



999 N. Pacific Coast Highway, Suite 800
 El Segundo, CA 90245
 800-486-1278 • www.henry.com

MANUFACTURER GUIDE DETAILS ARE FOR REFERENCE ONLY. HENRY DOES NOT ASSUME RESPONSIBILITY FOR ERRORS OR DEVIATIONS IN DESIGN OR ENGINEERING. PROJECT SPECIFIC VERIFICATION IS RECOMMENDED PRIOR TO INSTALLATION.

HENRY PRE-APPLIED WATERPROOFING SYSTEM

DECK TO WALL TRANSITION
BLUESKIN PRESEAL 320 OR BLUESKIN PRESEAL 435
TRANSITION WITH HENRY CM100

SCALE: N.T.S.

03-10-2022

BSPS-7C1

OPTIONAL TOP/WEAR COAT AS SPECIFIED PER PROJECT SPECIFIC REQUIREMENTS (REFER TO **PUMADEQ** SYSTEM DETAILS):

- **HENRY DEQCOAT 50 TOP COAT**
- **PUMADEQ GRIP 40 WEAR COAT**

PUMADEQ PRIMER 20

PUMADEQ FLEX 30SL
REINFORCED WITH
PUMADEQ N-FLEECE

PUMADEQ FLEX 31MV
REINFORCED
WITH **PUMADEQ N-FLEECE**

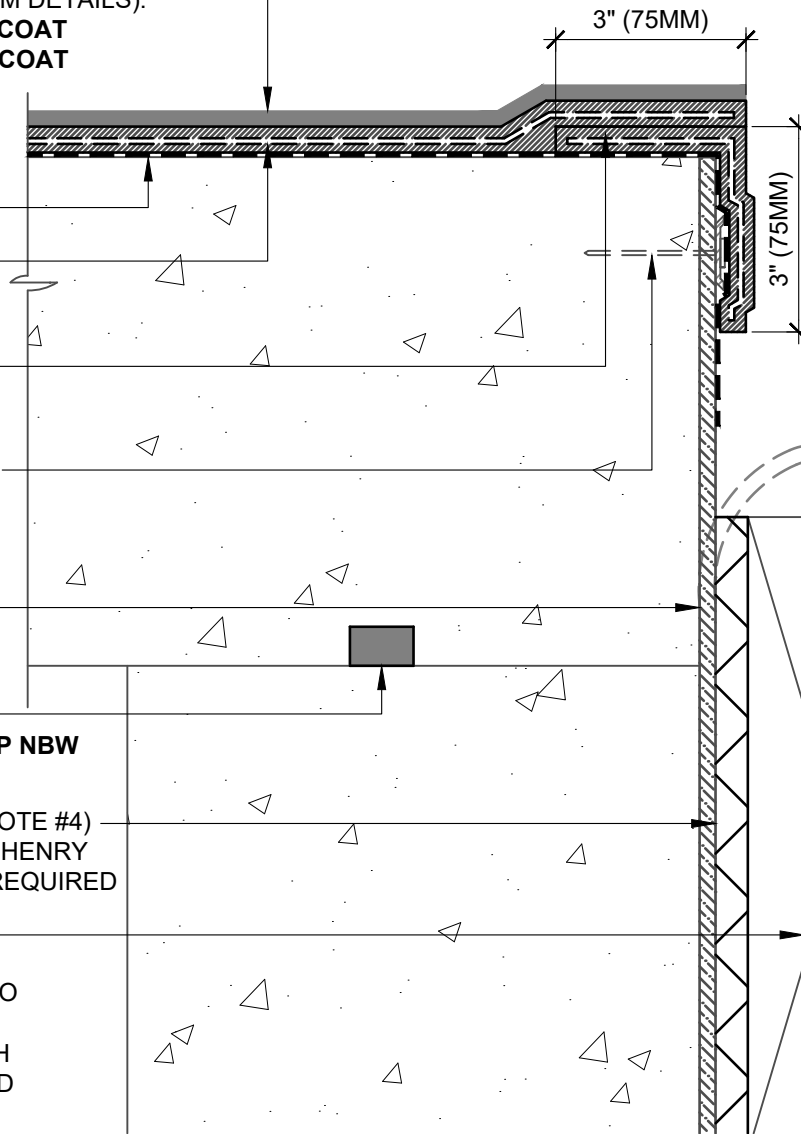
1" (25MM) TERMINATION BAR
(ENCAPSULATE WITH
REINFORCED **PUMADEQ**
FLEX 31MV FLASHING)

BLUESKIN PRESEAL 320
OR **BLUESKIN PRESEAL 435**
(SEE NOTE #2)

SYNKO-FLEX WATERSTOP,
MIRASTOP BW, OR MIRASTOP NBW
(SEE NOTE #3)

HENRY DRAINBOARD (SEE NOTE #4)
EXTEND DRAINBOARD OVER HENRY
PUMADEQ SYSTEM WHERE REQUIRED

SOIL RETENTION SYSTEM
(DO NOT INSTALL **BLUESKIN**
PRESEAL 320 DIRECTLY ONTO
SHEET PILING - PREPARE
SUBSTRATE WITH A SMOOTH
SURFACE SUCH AS PLYWOOD
OR DRAINBOARD)



EXTEND
PRE-APPLIED
WATERPROOFING
TO ANTICIPATED
CONCRETE LEDGE
AND TEMPORARILY
SECURE UNTIL
SUBSTRATE IS IN
ACCORDANCE WITH
INSTALLATION
REQUIREMENTS

NOTES:

1. DETAIL SHOWS HENRY PRE-APPLIED WATERPROOFING SYSTEM FOR APPLICATIONS USING HENRY **BLUESKIN PRESEAL 320** OR **BLUESKIN PRESEAL 435**. SUBSTRATE SHOWN IS FOR REFERENCE ONLY.
2. HENRY **BLUESKIN PRESEAL 435** CAN BE INSTALLED DIRECTLY ONTO SHEET PILING. **BLUESKIN PRESEAL 320** REQUIRES A SMOOTH SURFACE SUCH AS PLYWOOD OR DRAINBOARD.
3. APPLICATIONS USING SWELLABLE WATERSTOPS: 2" (50MM) MINIMUM CONCRETE COVERAGE ON ALL SIDES.
4. HENRY RECOMMENDS THE USE OF A DRAINBOARD IN NON-HYDROSTATIC CONDITIONS, OR AS A SUBSTRATE PREPARATION.
5. PREPARE AND PRIME VERTICAL SUBSTRATES A MINIMUM 2" (50MM) BEYOND **PUMADEQ** SYSTEM APPLICATION IN ACCORDANCE WITH HENRY **PUMADEQ** SYSTEM SUBSTRATE PREPARATION GUIDELINES TECH-TALK BULLETIN.
6. REFER TO PRODUCT SPECIFIC TECHNICAL DATA SHEET (TDS) AND GUIDE SPECIFICATION FOR INSTALLATION PROCEDURES.

Henry[®]

999 N. Pacific Coast Highway, Suite 800
El Segundo, CA 90245
800-486-1278 • www.henry.com

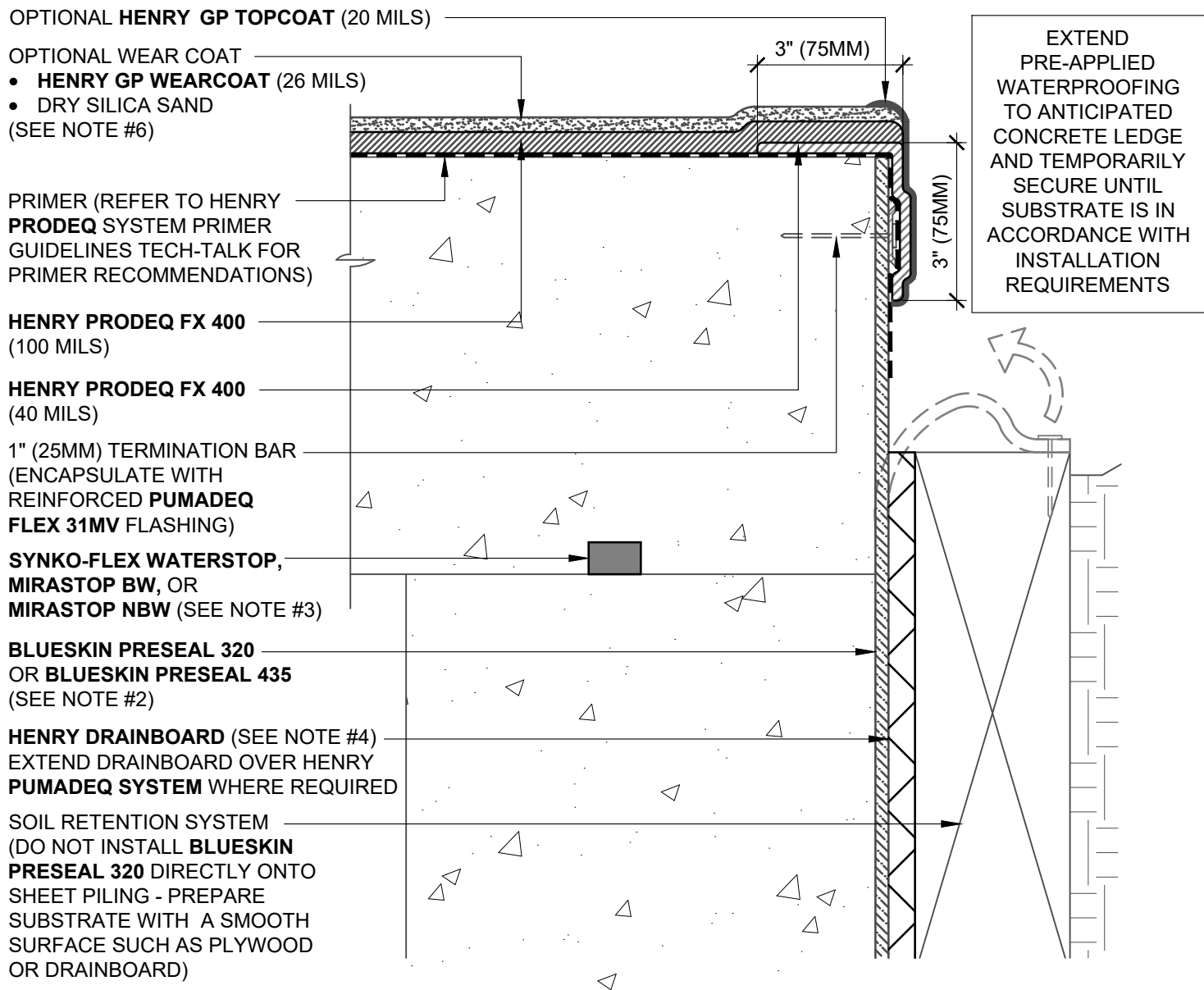
MANUFACTURER GUIDE DETAILS ARE FOR REFERENCE ONLY. HENRY DOES NOT ASSUME RESPONSIBILITY FOR ERRORS OR DEVIATIONS IN DESIGN OR ENGINEERING. PROJECT SPECIFIC VERIFICATION IS RECOMMENDED PRIOR TO INSTALLATION.

HENRY PRE-APPLIED WATERPROOFING SYSTEM

DECK TO WALL TRANSITION
BLUESKIN PRESEAL 320 OR BLUESKIN PRESEAL 435
TRANSITION WITH PUMADEQ SYSTEM

SCALE: N.T.S. 03-10-2022

BSPS-7D1



NOTES:

1. DETAIL SHOWS HENRY PRE-APPLIED WATERPROOFING SYSTEM FOR APPLICATIONS USING HENRY **BLUESKIN PRESEAL 320** OR **BLUESKIN PRESEAL 435**. SUBSTRATE SHOWN IS FOR REFERENCE ONLY.
2. HENRY **BLUESKIN PRESEAL 435** CAN BE INSTALLED DIRECTLY ONTO SHEET PILING. **BLUESKIN PRESEAL 320** REQUIRES A SMOOTH SURFACE SUCH AS PLYWOOD OR DRAINBOARD.
3. APPLICATIONS USING SWELLABLE WATERSTOPS: 2" (50MM) MINIMUM CONCRETE COVERAGE ON ALL SIDES.
4. HENRY RECOMMENDS THE USE OF A DRAINBOARD IN NON-HYDROSTATIC CONDITIONS, OR AS A SUBSTRATE PREPARATION.
5. PREPARE AND PRIME VERTICAL SUBSTRATES A MINIMUM 2" (50MM) BEYOND **PUMADEQ** SYSTEM APPLICATION IN ACCORDANCE WITH HENRY **PUMADEQ** SYSTEM SUBSTRATE PREPARATION GUIDELINES TECH-TALK BULLETIN.
6. FULLY BROADCAST, TO REJECTION, DRY SILICA SAND (SIEVE SIZE: #20-30) INTO WET **HENRY GP WEARCOAT**.
7. REFER TO PRODUCT SPECIFIC TECHNICAL DATA SHEET (TDS) AND GUIDE SPECIFICATION FOR INSTALLATION PROCEDURES.

Henry[®]

999 N. Pacific Coast Highway, Suite 800
 El Segundo, CA 90245
 800-486-1278 • www.henry.com

MANUFACTURER GUIDE DETAILS ARE FOR REFERENCE ONLY. HENRY DOES NOT ASSUME RESPONSIBILITY FOR ERRORS OR DEVIATIONS IN DESIGN OR ENGINEERING. PROJECT SPECIFIC VERIFICATION IS RECOMMENDED PRIOR TO INSTALLATION.

HENRY PRE-APPLIED WATERPROOFING SYSTEM

DECK TO WALL TRANSITION
BLUESKIN PRESEAL 320 OR BLUESKIN PRESEAL 435
TRANSITION WITH PRODEQ SYSTEM

SCALE: N.T.S.

03-10-2022

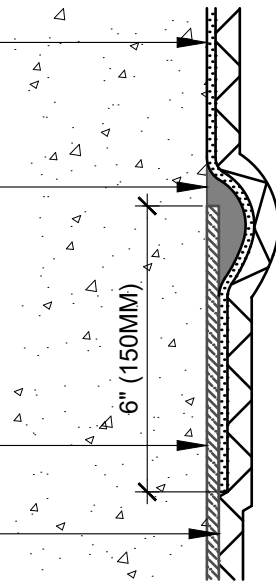
BSPS-7E1

BLUESKIN WP200
(PRIMER NOT SHOWN FOR CLARITY - SEE DATA SHEET FOR RECOMMENDATIONS)

TERMINATE PRE-APPLIED WATERPROOFING WITH **HENRY 925 BES SEALANT**

BLUESKIN PRESEAL 320
OR **BLUESKIN PRESEAL 435**

HENRY DRAINBOARD



METHOD #1 - TERMINATION SEALANT
FULLY BONDED MEMBRANE

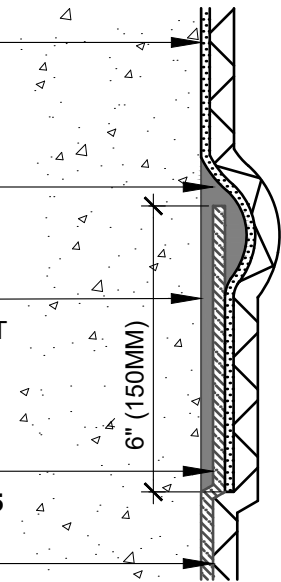
BLUESKIN WP200
(PRIMER NOT SHOWN FOR CLARITY - SEE DATA SHEET FOR RECOMMENDATIONS)

TERMINATE PRE-APPLIED WATERPROOFING WITH **HENRY 925 BES SEALANT**

SET PRE-APPLIED WATERPROOFING INTO WET **HENRY 925 BES SEALANT**

BLUESKIN PRESEAL 320
OR **BLUESKIN PRESEAL 435**

HENRY DRAINBOARD



METHOD #2 - TERMINATION SEALANT
TEMPORARILY SECURED MEMBRANE

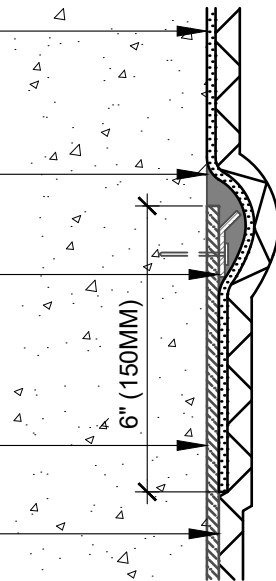
BLUESKIN WP200
(PRIMER NOT SHOWN FOR CLARITY - SEE DATA SHEET FOR RECOMMENDATIONS)

TERMINATE PRE-APPLIED WATERPROOFING WITH **HENRY 925 BES SEALANT**

SECURE MEMBRANE WITH TERMINATION BAR

BLUESKIN PRESEAL 320
OR **BLUESKIN PRESEAL 435**

HENRY DRAINBOARD



METHOD #3 - TERMINATION SEALANT
TEMPORARILY SECURED MEMBRANE

TERMINATION GUIDELINES

1. TERMINATE PRE-APPLIED WATERPROOFING WITH **HENRY 925 BES SEALANT**.
2. SET PRE-APPLIED WATERPROOFING INTO WET **HENRY 925 BES SEALANT** WHERE TEMPORARILY SECURED MEMBRANE WAS NOT FULLY BONDED TO CONCRETE.
3. SET PRE-APPLIED WATERPROOFING INTO WET **HENRY 925 BES SEALANT** WHERE TEMPORARILY SECURED MEMBRANE WAS NOT FULLY BONDED TO CONCRETE AND SITE DOES NOT ALLOW FOR **HENRY 925 BES SEALANT** EMBEDMENT.

NOTES:

1. DETAIL SHOWS HENRY PRE-APPLIED WATERPROOFING SYSTEM FOR APPLICATIONS USING HENRY **BLUESKIN PRESEAL 320** OR **BLUESKIN PRESEAL 435**. SUBSTRATE SHOWN IS FOR REFERENCE ONLY.
2. HENRY RECOMMENDS THE USE OF A DRAINBOARD IN NON-HYDROSTATIC CONDITIONS, OR AS A SUBSTRATE PREPARATION.
3. REFER TO PRODUCT SPECIFIC TECHNICAL DATA SHEET (TDS) AND GUIDE SPECIFICATION FOR INSTALLATION PROCEDURES.

MANUFACTURER GUIDE DETAILS ARE FOR REFERENCE ONLY. HENRY DOES NOT ASSUME RESPONSIBILITY FOR ERRORS OR DEVIATIONS IN DESIGN OR ENGINEERING. PROJECT SPECIFIC VERIFICATION IS RECOMMENDED PRIOR TO INSTALLATION.

HENRY PRE-APPLIED WATERPROOFING SYSTEM

VERTICAL TERMINATIONS
BLUESKIN PRESEAL 320 OR BLUESKIN PRESEAL 435
TRANSITION WITH BLUESKIN WP200

SCALE: N.T.S. 03-10-2022

BSPS-8A

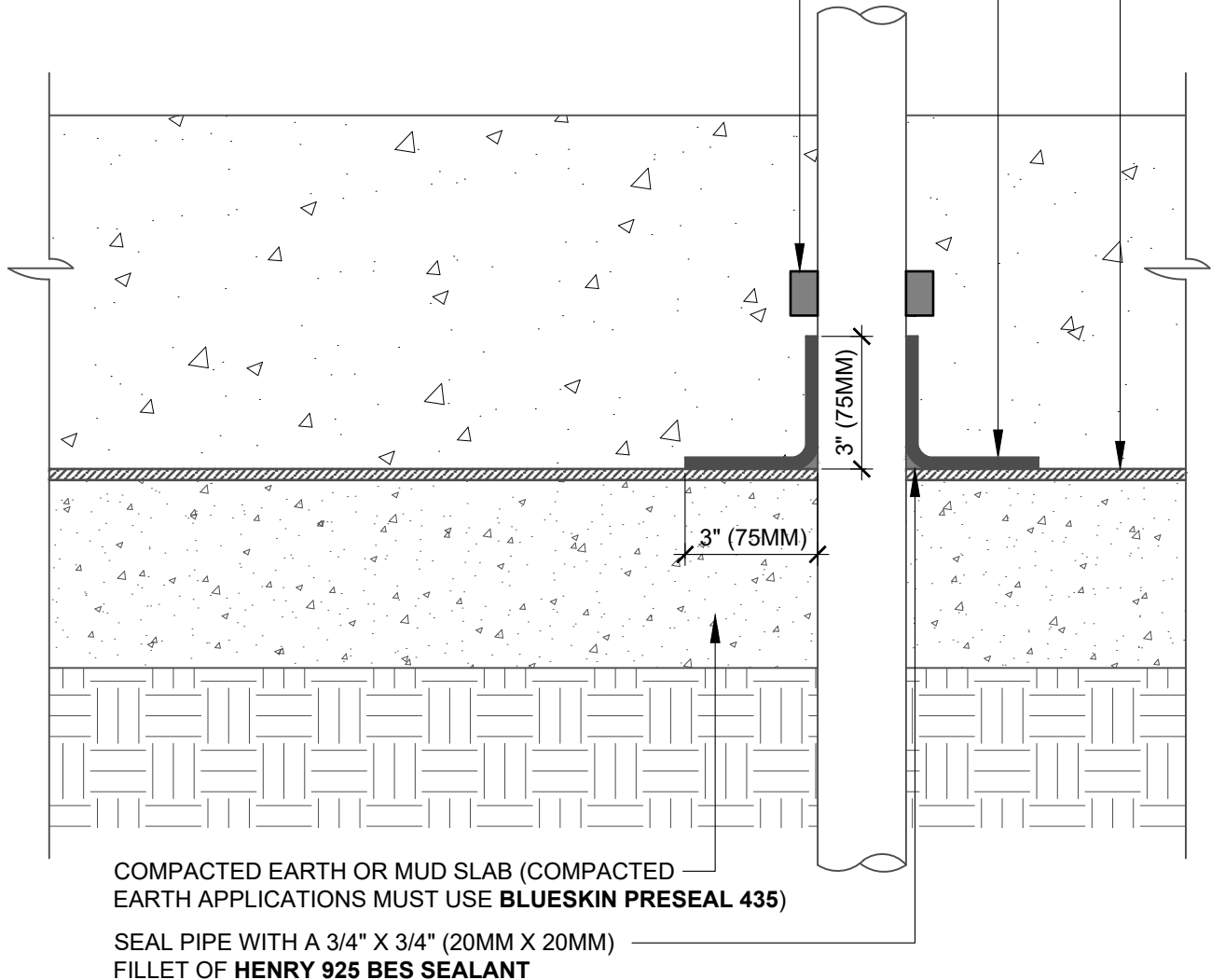


999 N. Pacific Coast Highway, Suite 800
El Segundo, CA 90245
800-486-1278 • www.henry.com

BLUESKIN PRESEAL 320 OR BLUESKIN PRESEAL 435

BLUESKIN PRESEAL TAPE 120V

WRAP PIPE/CONDUIT WITH **SYNKO-FLEX WATERSTOP**
OR **HYDRO-FLEX WATERSTOP** (SEE NOTE #3)



NOTES:

1. DETAIL SHOWS HENRY PRE-APPLIED WATERPROOFING SYSTEM FOR APPLICATIONS USING HENRY **BLUESKIN PRESEAL 320** OR **BLUESKIN PRESEAL 435**. SUBSTRATE SHOWN IS FOR REFERENCE ONLY.
2. REMOVE DIRT, DEBRIS, RUST AND OTHER CONTAMINANTS FROM PIPE PRIOR TO **HENRY 925 BES SEALANT** INSTALLATION.
3. APPLICATIONS USING **HYDRO-FLEX WATERSTOP**: 2" (50MM) MINIMUM CONCRETE COVERAGE ON ALL SIDES.
4. REFER TO PRODUCT SPECIFIC TECHNICAL DATA SHEET (TDS) AND GUIDE SPECIFICATION FOR INSTALLATION PROCEDURES.

Henry[®]

999 N. Pacific Coast Highway, Suite 800
El Segundo, CA 90245
800-486-1278 • www.henry.com

MANUFACTURER GUIDE DETAILS ARE FOR REFERENCE ONLY. HENRY DOES NOT ASSUME RESPONSIBILITY FOR ERRORS OR DEVIATIONS IN DESIGN OR ENGINEERING. PROJECT SPECIFIC VERIFICATION IS RECOMMENDED PRIOR TO INSTALLATION.

HENRY PRE-APPLIED WATERPROOFING SYSTEM

SLAB PENETRATION

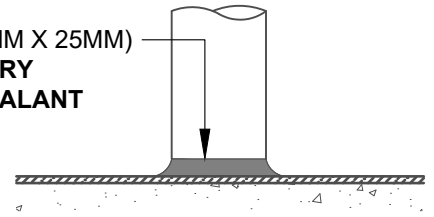
**BLUESKIN PRESEAL 320 OR BLUESKIN PRESEAL 435
PIPE OR CONDUIT**

SCALE: N.T.S.

04-01-2021

BSPS-9B1

1" X 1" (25MM X 25MM)
FILLET HENRY
925 BES SEALANT

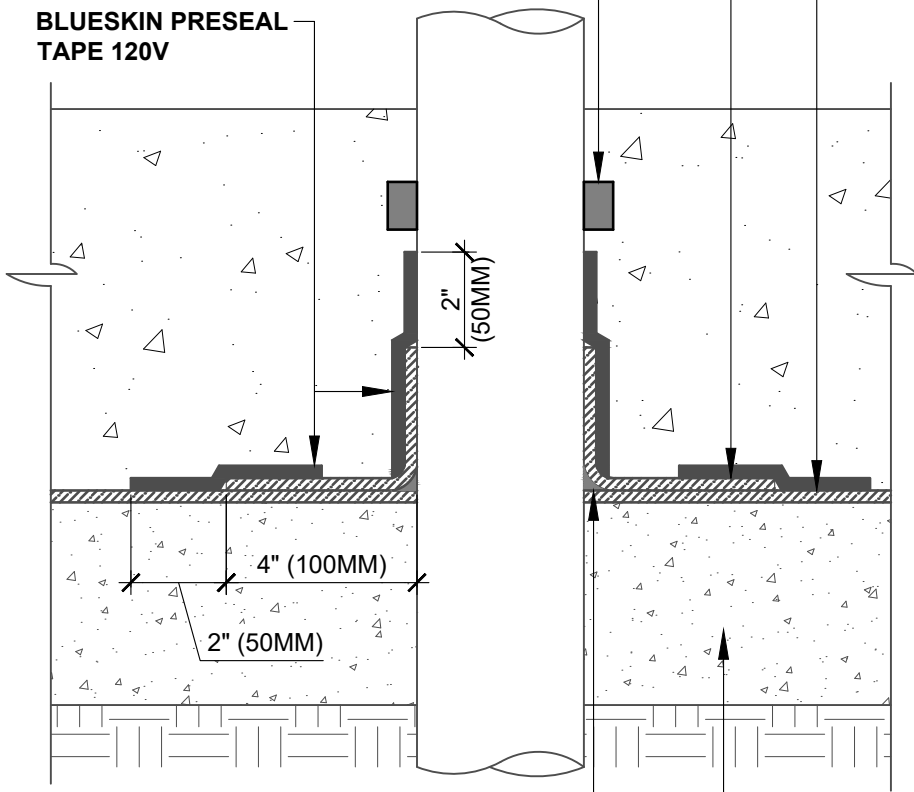


1

BLUESKIN PRESEAL 320 OR BLUESKIN PRESEAL 435
BLUESKIN PRESEAL 320 OR BLUESKIN PRESEAL 435
(SEE PIPE FLASHING SEQUENCE DETAIL)

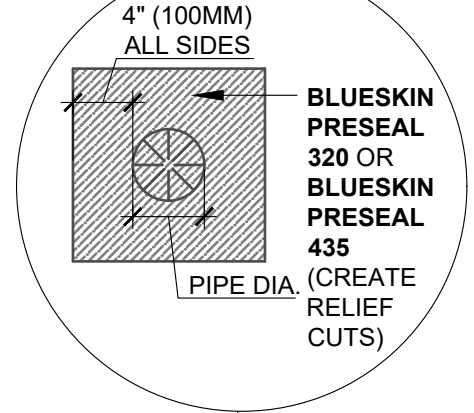
WRAP PIPE/CONDUIT WITH
SYNKO-FLEX WATERSTOP, MIRASTOP BW,
OR **MIRASTOP NBW** (SEE NOTE #3)

BLUESKIN PRESEAL TAPE 120V

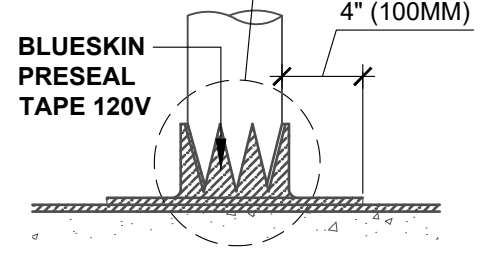


SEAL PIPE WITH A 1" X 1" (25MM X 25MM)
FILLET OF HENRY 925 BES SEALANT

COMPACTED EARTH, COMPACTED STONE,
OR MUD SLAB (COMPACTED EARTH AND
COMPACTED STONE APPLICATIONS MUST
USE **BLUESKIN PRESEAL 435**)

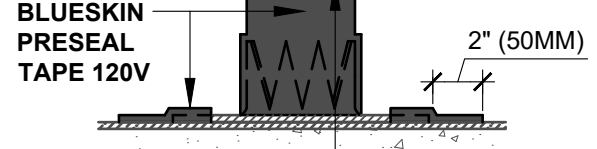


BLUESKIN PRESEAL 320 OR BLUESKIN PRESEAL 435
(CREATE RELIEF CUTS)



BLUESKIN PRESEAL TAPE 120V

2



SYNKO-FLEX WATERSTOP, MIRASTOP BW, OR MIRASTOP NBW (SEE NOTE #3)

3

PIPE FLASHING
ELEVATION VIEW

NOTES:

1. DETAIL SHOWS HENRY PRE-APPLIED WATERPROOFING SYSTEM FOR APPLICATIONS USING HENRY **BLUESKIN PRESEAL 320** OR **BLUESKIN PRESEAL 435**. SUBSTRATE SHOWN IS FOR REFERENCE ONLY.
2. REMOVE DIRT, DEBRIS, RUST AND OTHER CONTAMINANTS FROM PIPE PRIOR TO HENRY 925 BES SEALANT INSTALLATION.
3. APPLICATIONS USING SWELLABLE WATERSTOPS: 2" (50MM) MINIMUM CONCRETE COVERAGE ON ALL SIDES.
4. REFER TO PRODUCT SPECIFIC TECHNICAL DATA SHEET (TDS) AND GUIDE SPECIFICATION FOR INSTALLATION PROCEDURES.

Henry[®]

999 N. Pacific Coast Highway, Suite 800
El Segundo, CA 90245
800-486-1278 • www.henry.com

MANUFACTURER GUIDE DETAILS ARE FOR REFERENCE ONLY. HENRY DOES NOT ASSUME RESPONSIBILITY FOR ERRORS OR DEVIATIONS IN DESIGN OR ENGINEERING. PROJECT SPECIFIC VERIFICATION IS RECOMMENDED PRIOR TO INSTALLATION.

HENRY PRE-APPLIED WATERPROOFING SYSTEM

SLAB PENETRATION

BLUESKIN PRESEAL 320 OR BLUESKIN PRESEAL 435 PIPE OR CONDUIT

SCALE: N.T.S. 03-10-2022

BSPS-9B2

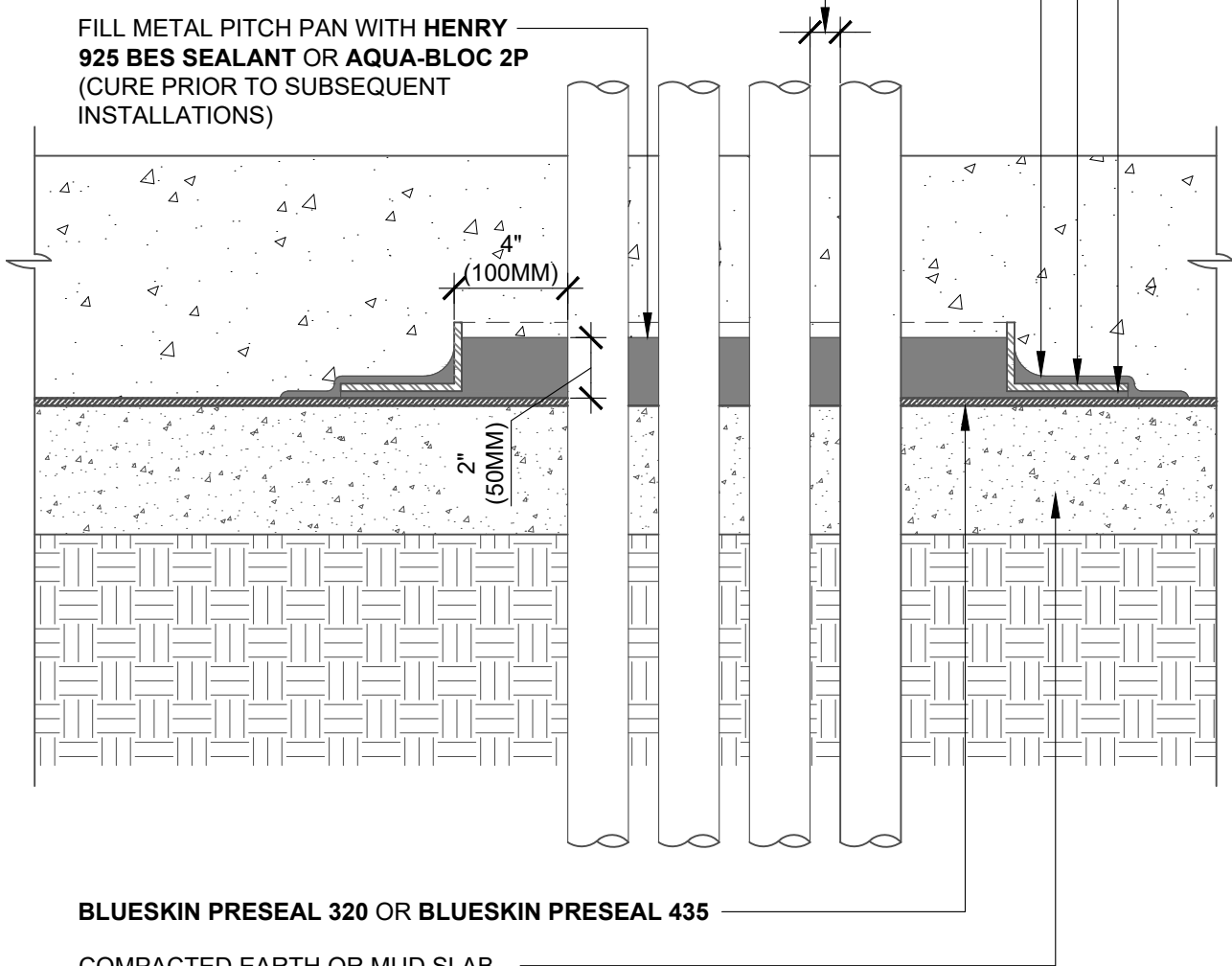
SET METAL PITCH PAN INTO 1/4" (5MM)
THICK BED OF **HENRY 925 BES SEALANT**

METAL PITCH PAN

COAT METAL PITCH PAN
WITH **HENRY 925 BES SEALANT**

MINIMUM 1/2" (10MM) CLEARANCE BETWEEN PIPES

FILL METAL PITCH PAN WITH **HENRY 925 BES SEALANT** OR **AQUA-BLOC 2P**
(CURE PRIOR TO SUBSEQUENT INSTALLATIONS)



BLUESKIN PRESEAL 320 OR BLUESKIN PRESEAL 435

COMPACTED EARTH OR MUD SLAB
(COMPACTED EARTH APPLICATIONS MUST USE **BLUESKIN PRESEAL 435**)

NOTES:

1. DETAIL SHOWS HENRY PRE-APPLIED WATERPROOFING SYSTEM FOR APPLICATIONS USING HENRY **BLUESKIN PRESEAL 320** OR **BLUESKIN PRESEAL 435**. SUBSTRATE SHOWN IS FOR REFERENCE ONLY.
2. REMOVE DIRT, DEBRIS, RUST AND OTHER CONTAMINANTS FROM PIPE PRIOR TO **HENRY 925 BES SEALANT** INSTALLATION.
3. REFER TO PRODUCT SPECIFIC TECHNICAL DATA SHEET (TDS) AND GUIDE SPECIFICATION FOR INSTALLATION PROCEDURES.

MANUFACTURER GUIDE DETAILS ARE FOR REFERENCE ONLY. HENRY DOES NOT ASSUME RESPONSIBILITY FOR ERRORS OR DEVIATIONS IN DESIGN OR ENGINEERING. PROJECT SPECIFIC VERIFICATION IS RECOMMENDED PRIOR TO INSTALLATION.

HENRY PRE-APPLIED WATERPROOFING SYSTEM

SLAB PENETRATION

**BLUESKIN PRESEAL 320 OR BLUESKIN PRESEAL 435
PITCH PAN AT PIPE BANK**

SCALE: N.T.S.

04-01-2021

BSPS-9C

Henry[®]

999 N. Pacific Coast Highway, Suite 800
El Segundo, CA 90245
800-486-1278 • www.henry.com

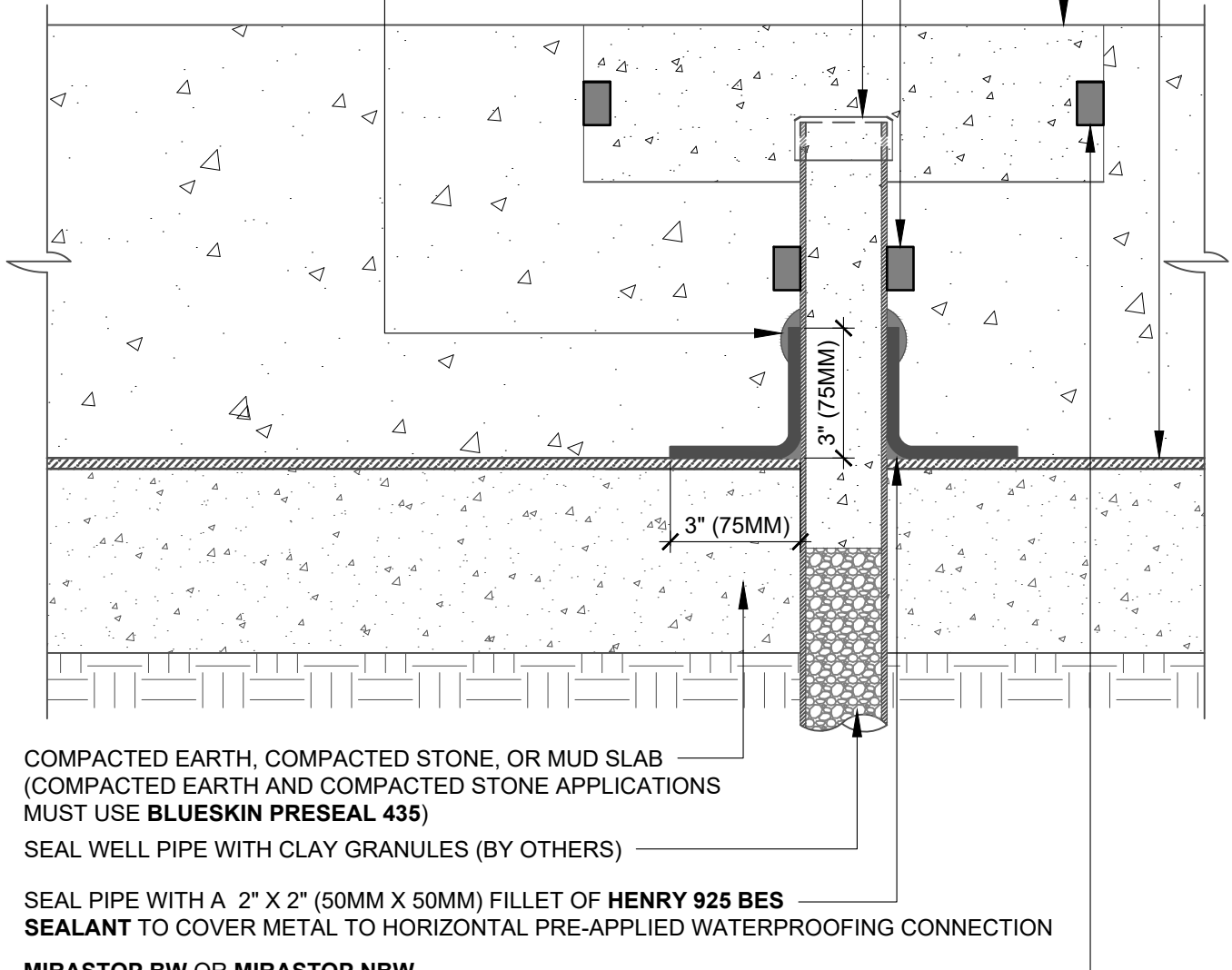
BLUESKIN PRESEAL 320 OR BLUESKIN PRESEAL 435

BOX-OUT FILLED WITH CONCRETE

WRAP PIPE/CONDUIT WITH **MIRASTOP BW OR MIRASTOP NBW**
(2" (50MM) MINIMUM CONCRETE COVERAGE ON ALL SIDES)

SOLID PVC WELL PIPE WITH SOLVENT WELDED CAP (12" (300MM) LAYER
OF HYDRAULIC GROUT OR PIPE FILLED TO TOP WITH CONCRETE)

HENRY 925 BES SEALANT



COMPACTED EARTH, COMPACTED STONE, OR MUD SLAB
(COMPACTED EARTH AND COMPACTED STONE APPLICATIONS
MUST USE **BLUESKIN PRESEAL 435**)

SEAL WELL PIPE WITH CLAY GRANULES (BY OTHERS)

SEAL PIPE WITH A 2" X 2" (50MM X 50MM) FILLET OF **HENRY 925 BES SEALANT** TO COVER METAL TO HORIZONTAL PRE-APPLIED WATERPROOFING CONNECTION

MIRASTOP BW OR MIRASTOP NBW
(2" (50MM) MINIMUM CONCRETE COVERAGE ON ALL SIDES)

NOTES:

1. DETAIL SHOWS HENRY PRE-APPLIED WATERPROOFING SYSTEM FOR APPLICATIONS USING HENRY **BLUESKIN PRESEAL 320 OR BLUESKIN PRESEAL 435**. SUBSTRATE SHOWN IS FOR REFERENCE ONLY.
2. REMOVE DIRT, DEBRIS, RUST AND OTHER CONTAMINANTS FROM PIPE PRIOR TO **HENRY 925 BES SEALANT** INSTALLATION.
3. REFER TO PRODUCT SPECIFIC TECHNICAL DATA SHEET (TDS) AND GUIDE SPECIFICATION FOR INSTALLATION PROCEDURES.

Henry[®]

999 N. Pacific Coast Highway, Suite 800
El Segundo, CA 90245
800-486-1278 • www.henry.com

MANUFACTURER GUIDE DETAILS ARE FOR REFERENCE ONLY. HENRY DOES NOT ASSUME RESPONSIBILITY FOR ERRORS OR DEVIATIONS IN DESIGN OR ENGINEERING. PROJECT SPECIFIC VERIFICATION IS RECOMMENDED PRIOR TO INSTALLATION.

HENRY PRE-APPLIED WATERPROOFING SYSTEM

SLAB PENETRATION

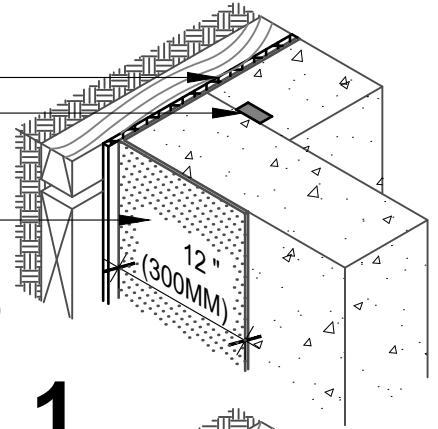
BLUESKIN PRESEAL 320 OR BLUESKIN PRESEAL 435
WELL PIPE SEALING BOX-OUT

SCALE: N.T.S.

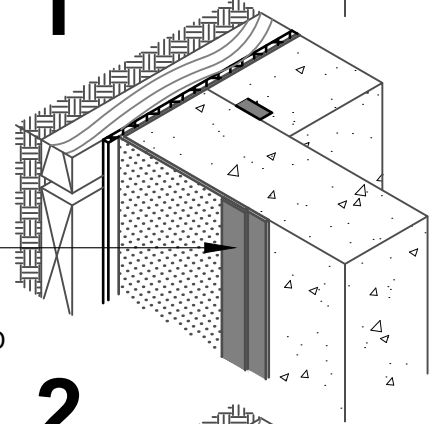
03-10-2022

BSPS-9D1

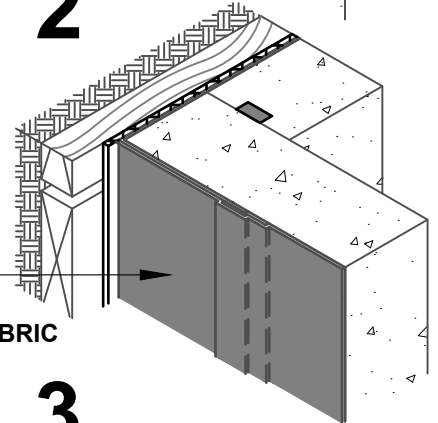
HENRY DRAINAGE COMPOSITE
SYNKO-FLEX WATERSTOP,
MIRASTOP BW, OR MIRASTOP NBW
 (SEE NOTE #2)
BLUESKIN PRESEAL 320
 OR **BLUESKIN PRESEAL 435**
 (EXTEND 12" (300MM) ONTO FORM
 WORK PRIOR TO CONCRETE POUR)



1



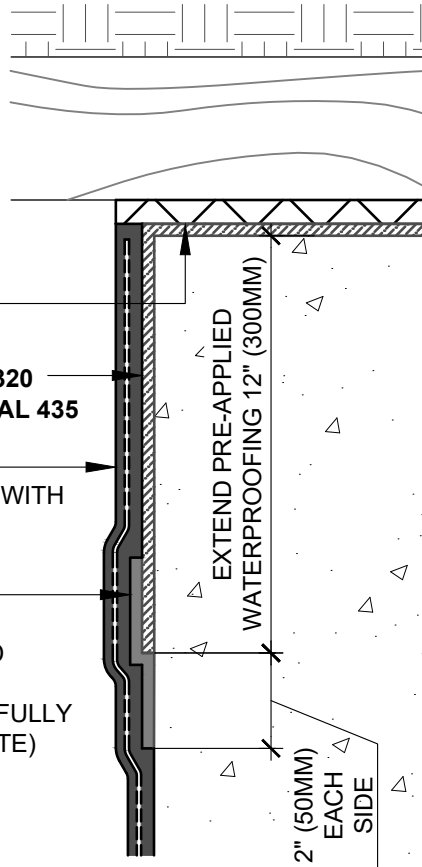
2



3

**BLUESKIN PRESEAL
 TAPE 120V EXTEND
 2" (50MM) EACH SIDE**
 (TAPE NOT REQUIRED
 WHERE PRE-APPLIED
 WATERPROOFING
 IS FULLY BONDED
 TO CONCRETE)

**HENRY CM100 2-PLY
 120 MIL REINFORCED
 WITH POLYESTER FABRIC**



**HENRY DRAINAGE
 COMPOSITE**
**BLUESKIN PRESEAL 320
 OR BLUESKIN PRESEAL 435**
**HENRY CM100 2-PLY
 120 MIL REINFORCED WITH
 POLYESTER FABRIC**
**BLUESKIN PRESEAL
 TAPE 120V**
 (TAPE NOT REQUIRED
 WHERE PRE-APPLIED
 WATERPROOFING IS FULLY
 BONDED TO CONCRETE)

EXTEND PRE-APPLIED
 WATERPROOFING 12" (300MM)

2" (50MM)
 EACH
 SIDE

PLAN VIEW
 TRANSITION AT GRADE CHANGE

ISOMETRIC
 TRANSITION AT GRADE CHANGE

NOTES:

1. DETAIL SHOWS HENRY PRE-APPLIED WATERPROOFING SYSTEM FOR APPLICATIONS USING HENRY **BLUESKIN PRESEAL 320** OR **BLUESKIN PRESEAL 435**. SUBSTRATE SHOWN IS FOR REFERENCE ONLY.
2. HENRY **BLUESKIN PRESEAL 435** CAN BE INSTALLED DIRECTLY ONTO SHEET PILING. **BLUESKIN PRESEAL 320** REQUIRES A SMOOTH SURFACE SUCH AS PLYWOOD OR DRAINBOARD.
3. APPLICATIONS USING SWELLABLE WATERSTOPS: 2" (50MM) MINIMUM CONCRETE COVERAGE ON ALL SIDES.
4. HENRY RECOMMENDS THE USE OF A DRAINBOARD IN NON-HYDROSTATIC CONDITIONS, OR AS A SUBSTRATE PREPARATION.
5. REFER TO PRODUCT SPECIFIC TECHNICAL DATA SHEET (TDS) AND GUIDE SPECIFICATION FOR INSTALLATION PROCEDURES.



999 N. Pacific Coast Highway, Suite 800
 El Segundo, CA 90245
 800-486-1278 • www.henry.com

MANUFACTURER GUIDE DETAILS ARE FOR REFERENCE ONLY. HENRY DOES NOT ASSUME RESPONSIBILITY FOR ERRORS OR DEVIATIONS IN DESIGN OR ENGINEERING. PROJECT SPECIFIC VERIFICATION IS RECOMMENDED PRIOR TO INSTALLATION.

HENRY PRE-APPLIED WATERPROOFING SYSTEM

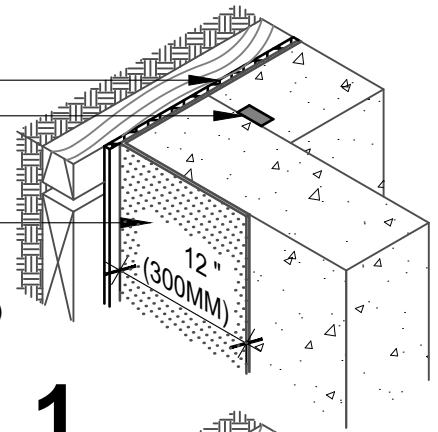
POST-APPLIED TRANSITION
BLUESKIN PRESEAL 320 OR BLUESKIN PRESEAL 435
TRANSITION WITH HENRY CM100 - VERTICAL WALL

SCALE: N.T.S. 03-10-2022

BSPS-10A1

HENRY DRAINAGE COMPOSITE
SYNKO-FLEX WATERSTOP,
MIRASTOP BW, OR MIRASTOP NBW
 (SEE NOTE #2)

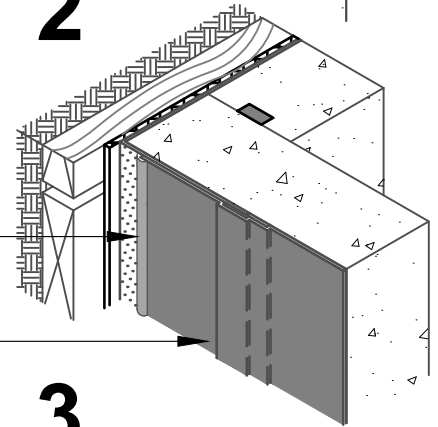
BLUESKIN PRESEAL 320
 OR **BLUESKIN PRESEAL 435**
 (EXTEND 12" (300MM) ONTO FORM
 WORK PRIOR TO CONCRETE POUR)



1

BLUESKIN PRESEAL TAPE 120V EXTEND 2" (50MM) EACH SIDE (TAPE NOT REQUIRED WHERE PRE-APPLIED WATERPROOFING IS FULLY BONDED TO CONCRETE)

2

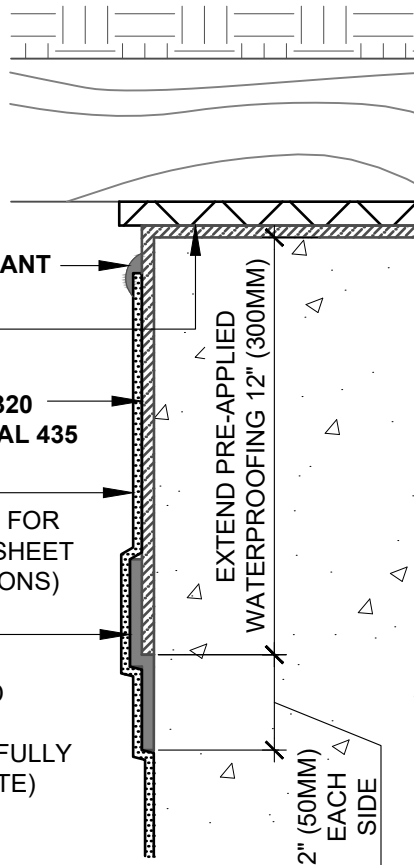


3

HENRY 925 BES SEALANT

BLUESKIN WP200

ISOMETRIC
 TRANSITION AT GRADE CHANGE



HENRY 925 BES SEALANT

HENRY DRAINAGE COMPOSITE

BLUESKIN PRESEAL 320
 OR **BLUESKIN PRESEAL 435**

BLUESKIN WP200
 (PRIMER NOT SHOWN FOR CLARITY - SEE DATA SHEET FOR RECOMMENDATIONS)

BLUESKIN PRESEAL TAPE 120V
 (TAPE NOT REQUIRED WHERE PRE-APPLIED WATERPROOFING IS FULLY BONDED TO CONCRETE)

EXTEND PRE-APPLIED WATERPROOFING 12" (300MM)

2" (50MM) EACH SIDE

PLAN VIEW

TRANSITION AT GRADE CHANGE

NOTES:

1. DETAIL SHOWS HENRY PRE-APPLIED WATERPROOFING SYSTEM FOR APPLICATIONS USING HENRY **BLUESKIN PRESEAL 320** OR **BLUESKIN PRESEAL 435**. SUBSTRATE SHOWN IS FOR REFERENCE ONLY.
2. HENRY **BLUESKIN PRESEAL 435** CAN BE INSTALLED DIRECTLY ONTO SHEET PILING. **BLUESKIN PRESEAL 320** REQUIRES A SMOOTH SURFACE SUCH AS PLYWOOD OR DRAINBOARD.
3. APPLICATIONS USING SWELLABLE WATERSTOPS: 2" (50MM) MINIMUM CONCRETE COVERAGE ON ALL SIDES.
4. HENRY RECOMMENDS THE USE OF A DRAINBOARD IN NON-HYDROSTATIC CONDITIONS, OR AS A SUBSTRATE PREPARATION.
5. REFER TO PRODUCT SPECIFIC TECHNICAL DATA SHEET (TDS) AND GUIDE SPECIFICATION FOR INSTALLATION PROCEDURES.

Henry[®]

999 N. Pacific Coast Highway, Suite 800
 El Segundo, CA 90245
 800-486-1278 • www.henry.com

MANUFACTURER GUIDE DETAILS ARE FOR REFERENCE ONLY. HENRY DOES NOT ASSUME RESPONSIBILITY FOR ERRORS OR DEVIATIONS IN DESIGN OR ENGINEERING. PROJECT SPECIFIC VERIFICATION IS RECOMMENDED PRIOR TO INSTALLATION.

HENRY PRE-APPLIED WATERPROOFING SYSTEM

POST-APPLIED TRANSITION
BLUESKIN PRESEAL 320 OR BLUESKIN PRESEAL 435
TRANSITION WITH BLUESKIN WP200 - VERTICAL WALL

SCALE: N.T.S. 03-10-2022

BSPS-10B1

BLUESKIN WP200
(PRIMER NOT SHOWN FOR CLARITY - SEE DATA SHEET FOR RECOMMENDATIONS)

MECHANICALLY ATTACH PRE-APPLIED WATERPROOFING AND SEAL FASTENER WITH **HENRY 925 BES SEALANT**

HENRY 925 BES SEALANT
(EXTEND 3/4" (20MM) EACH SIDE)

SET PRE-APPLIED WATERPROOFING INTO **HENRY 925 BES SEALANT**
(EXTEND SEALANT 3" (75MM) DOWN VERTICAL SUBSTRATE TO ENSURE PRE-APPLIED WATERPROOFING CONTINUOUS ADHESION WHERE REQUIRED)

HENRY 925 BES SEALANT

BLUESKIN PRESEAL 320
OR **BLUESKIN PRESEAL 435**
(SEE NOTE #2)

HENRY DRAINBOARD
(SEE NOTE #4)

SOIL RETENTION SYSTEM
(DO NOT INSTALL **BLUESKIN PRESEAL 320** DIRECTLY ONTO SHEET PILING - PREPARE SUBSTRATE WITH A SMOOTH SURFACE SUCH AS PLYWOOD OR DRAINBOARD)

EXTEND PRE-APPLIED WATERPROOFING 12" (300MM) BEYOND ANTICIPATED CONCRETE LEDGE AND TEMPORARILY SECURE UNTIL SUBSTRATE IS IN ACCORDANCE WITH INSTALLATION REQUIREMENTS

6" (150MM)

NOTES:

1. DETAIL SHOWS HENRY PRE-APPLIED WATERPROOFING SYSTEM FOR APPLICATIONS USING HENRY **BLUESKIN PRESEAL 320** OR **BLUESKIN PRESEAL 435**. SUBSTRATE SHOWN IS FOR REFERENCE ONLY.
2. HENRY **BLUESKIN PRESEAL 435** CAN BE INSTALLED DIRECTLY ONTO SHEET PILING. **BLUESKIN PRESEAL 320** REQUIRES A SMOOTH SURFACE SUCH AS PLYWOOD OR DRAINBOARD.
3. APPLICATIONS USING SWELLABLE WATERSTOPS: 2" (50MM) MINIMUM CONCRETE COVERAGE ON ALL SIDES.
4. HENRY RECOMMENDS THE USE OF A DRAINBOARD IN NON-HYDROSTATIC CONDITIONS, OR AS A SUBSTRATE PREPARATION.
5. REFER TO PRODUCT SPECIFIC TECHNICAL DATA SHEET (TDS) AND GUIDE SPECIFICATION FOR INSTALLATION PROCEDURES.

Henry[®]

999 N. Pacific Coast Highway, Suite 800
El Segundo, CA 90245
800-486-1278 • www.henry.com

MANUFACTURER GUIDE DETAILS ARE FOR REFERENCE ONLY. HENRY DOES NOT ASSUME RESPONSIBILITY FOR ERRORS OR DEVIATIONS IN DESIGN OR ENGINEERING. PROJECT SPECIFIC VERIFICATION IS RECOMMENDED PRIOR TO INSTALLATION.

HENRY PRE-APPLIED WATERPROOFING SYSTEM

POST-APPLIED TRANSITION
BLUESKIN PRESEAL 320 OR BLUESKIN PRESEAL 435
TRANSITION WITH BLUESKIN WP200 - GRADE CHANGE

SCALE: N.T.S.

04-01-2021

BSPS-10B2

HENRY AIR BARRIER
(CONTACT HENRY FOR
PROJECT SPECIFIC
RECOMMENDATIONS)

SET FLASHING/TERMINATION
BAR IN A BED OF
HENRY 925 BES SEALANT

BLUESKIN TWF
(PRIMER NOT SHOWN FOR
CLARITY - SEE DATA SHEET
FOR RECOMMENDATIONS)

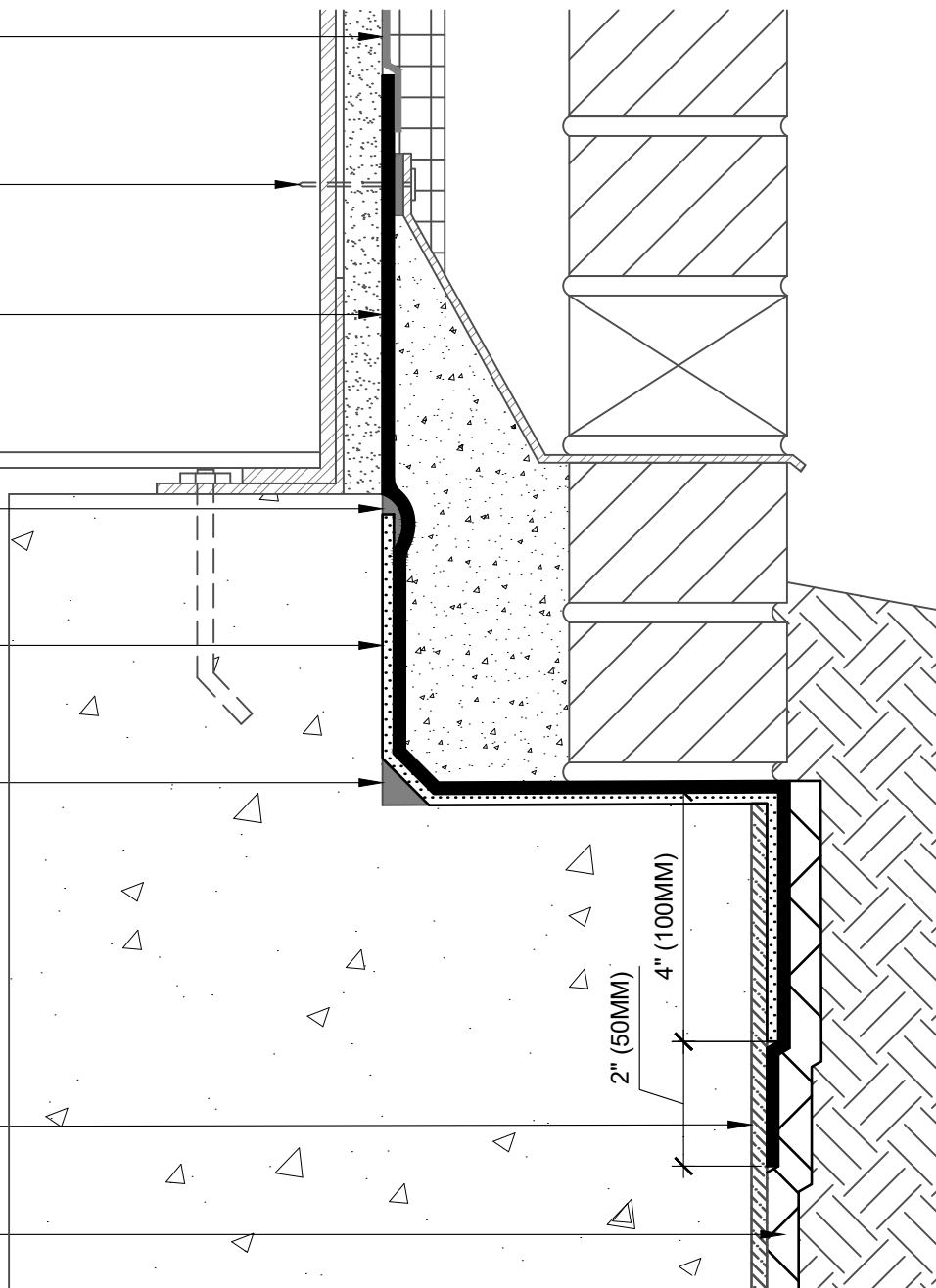
HENRY 925 BES SEALANT

BLUESKIN WP200
(PRIMER NOT SHOWN FOR
CLARITY - SEE DATA SHEET
FOR RECOMMENDATIONS)

HENRY 925 BES SEALANT
(EXTEND 3/4" (20MM) EACH SIDE)

BLUESKIN PRESEAL 320
OR **BLUESKIN PRESEAL 435**
(SEE NOTE #2)

HENRY DRAINBOARD
(SEE NOTE #3)



NOTES:

1. DETAIL SHOWS HENRY PRE-APPLIED WATERPROOFING SYSTEM FOR APPLICATIONS USING HENRY **BLUESKIN PRESEAL 320** OR **BLUESKIN PRESEAL 435**. SUBSTRATE SHOWN IS FOR REFERENCE ONLY.
2. HENRY **BLUESKIN PRESEAL 435** CAN BE INSTALLED DIRECTLY ONTO SHEET PILING. **BLUESKIN PRESEAL 320** REQUIRES A SMOOTH SURFACE SUCH AS PLYWOOD OR DRAINBOARD.
3. HENRY RECOMMENDS THE USE OF A DRAINBOARD IN NON-HYDROSTATIC CONDITIONS, OR AS A SUBSTRATE PREPARATION.
4. REFER TO PRODUCT SPECIFIC TECHNICAL DATA SHEET (TDS) AND GUIDE SPECIFICATION FOR INSTALLATION PROCEDURES.

Henry[®]

999 N. Pacific Coast Highway, Suite 800
El Segundo, CA 90245
800-486-1278 • www.henry.com

MANUFACTURER GUIDE DETAILS ARE FOR REFERENCE ONLY. HENRY DOES NOT ASSUME RESPONSIBILITY FOR ERRORS OR DEVIATIONS IN DESIGN OR ENGINEERING. PROJECT SPECIFIC VERIFICATION IS RECOMMENDED PRIOR TO INSTALLATION.

HENRY PRE-APPLIED WATERPROOFING SYSTEM

POST-APPLIED TRANSITION
BLUESKIN PRESEAL 320 OR BLUESKIN PRESEAL 435
TRANSITION WITH BLUESKIN WP200 - MASONRY LEDGE

SCALE: N.T.S.

03-10-2022

BSPS-10B3

HENRY AIR BARRIER
(CONTACT HENRY FOR PROJECT
SPECIFIC RECOMMENDATIONS)

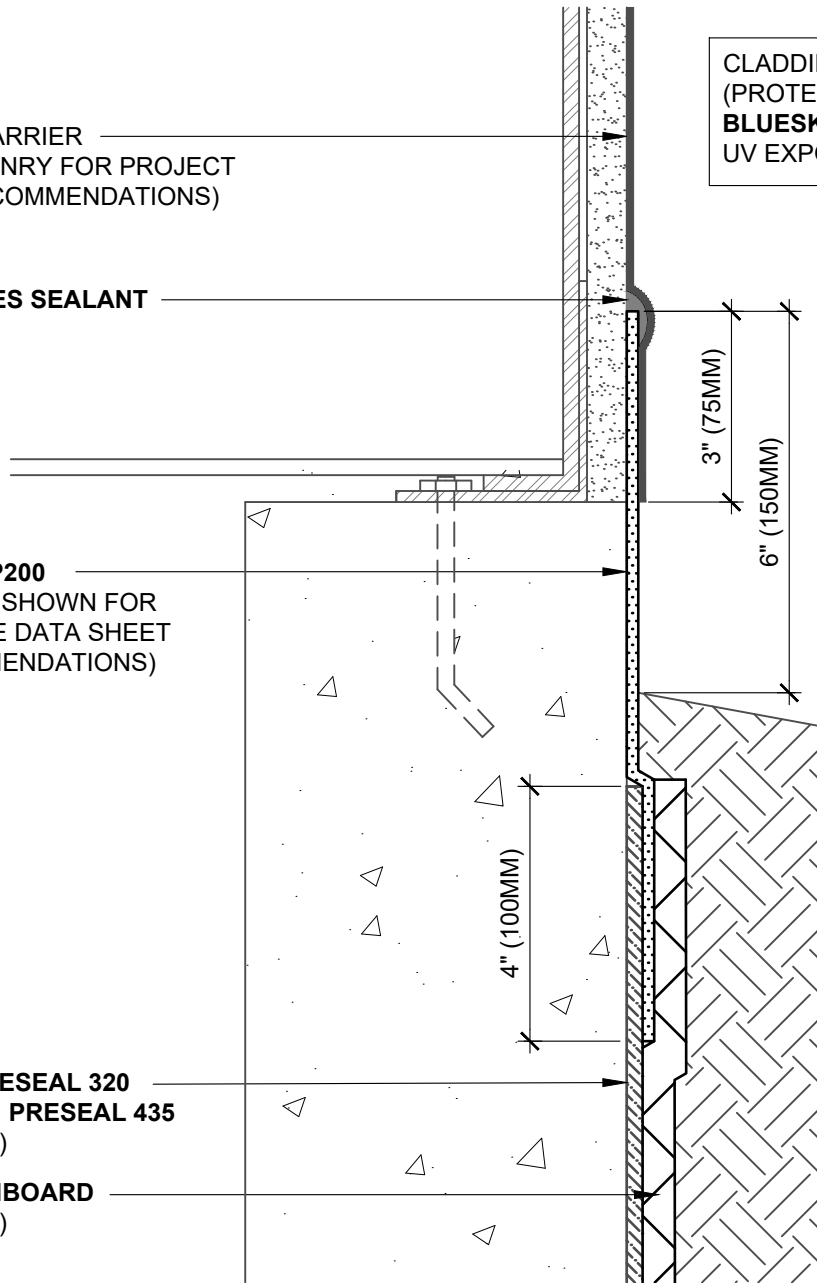
HENRY 925 BES SEALANT

BLUESKIN WP200
(PRIMER NOT SHOWN FOR
CLARITY - SEE DATA SHEET
FOR RECOMMENDATIONS)

BLUESKIN PRESEAL 320
OR BLUESKIN PRESEAL 435
(SEE NOTE #2)

HENRY DRAINBOARD
(SEE NOTE #3)

CLADDING NOT SHOWN FOR CLARITY
(PROTECT HENRY AIR BARRIER AND
BLUESKIN WP200 FROM INDEFINITE
UV EXPOSURE)



NOTES:

1. DETAIL SHOWS HENRY PRE-APPLIED WATERPROOFING SYSTEM FOR APPLICATIONS USING HENRY **BLUESKIN PRESEAL 320** OR **BLUESKIN PRESEAL 435**. SUBSTRATE SHOWN IS FOR REFERENCE ONLY.
2. HENRY **BLUESKIN PRESEAL 435** CAN BE INSTALLED DIRECTLY ONTO SHEET PILING. **BLUESKIN PRESEAL 320** REQUIRES A SMOOTH SURFACE SUCH AS PLYWOOD OR DRAINBOARD.
3. HENRY RECOMMENDS THE USE OF A DRAINBOARD IN NON-HYDROSTATIC CONDITIONS, OR AS A SUBSTRATE PREPARATION.
4. REFER TO PRODUCT SPECIFIC TECHNICAL DATA SHEET (TDS) AND GUIDE SPECIFICATION FOR INSTALLATION PROCEDURES.



999 N. Pacific Coast Highway, Suite 800
El Segundo, CA 90245
800-486-1278 • www.henry.com

MANUFACTURER GUIDE DETAILS ARE FOR REFERENCE ONLY. HENRY DOES NOT ASSUME RESPONSIBILITY FOR ERRORS OR DEVIATIONS IN DESIGN OR ENGINEERING. PROJECT SPECIFIC VERIFICATION IS RECOMMENDED PRIOR TO INSTALLATION.

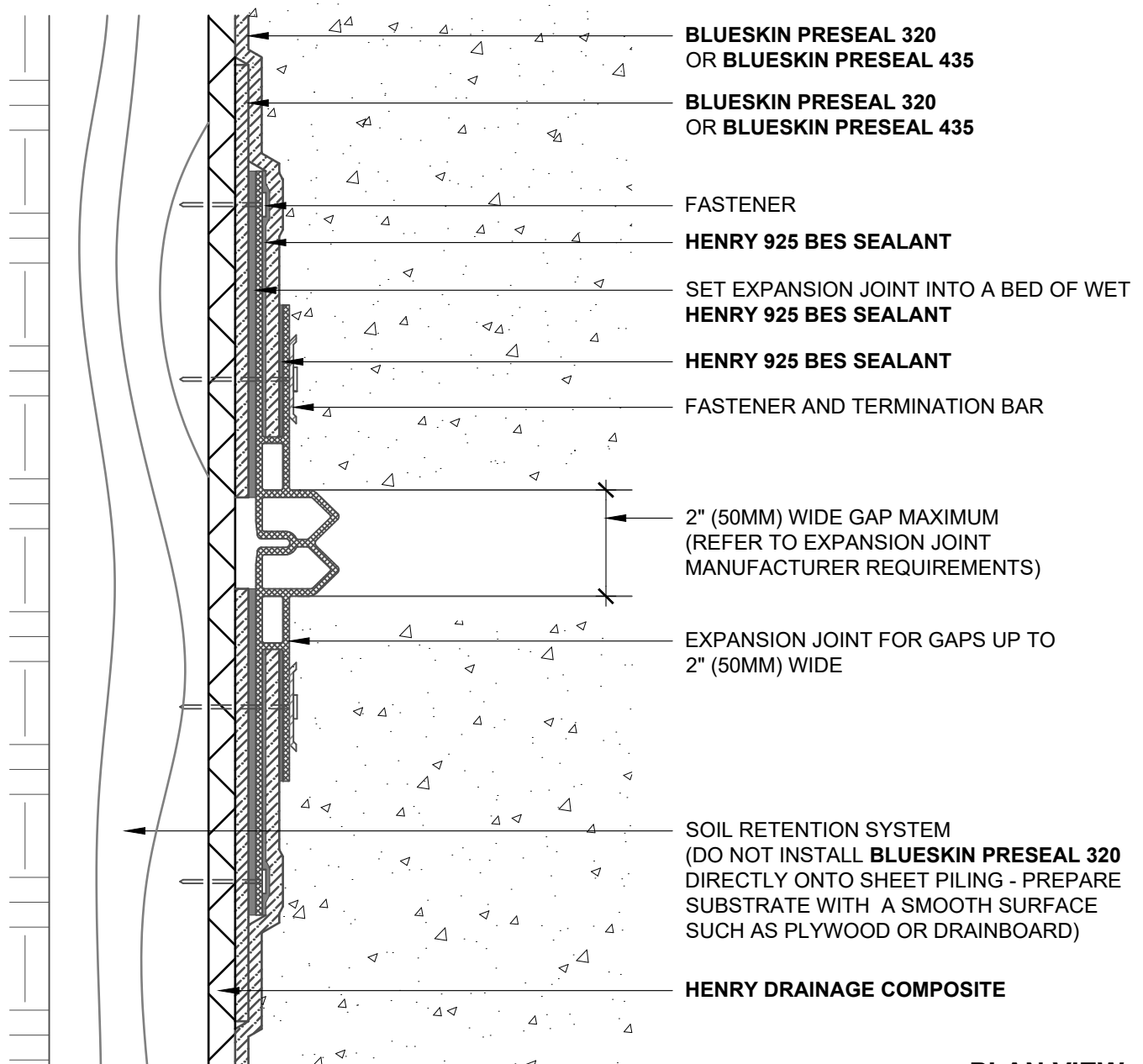
HENRY PRE-APPLIED WATERPROOFING SYSTEM

POST-APPLIED TRANSITION
BLUESKIN PRESEAL 320 OR BLUESKIN PRESEAL 435
TRANSITION WITH BLUESKIN WP200 - AT GRADE

SCALE: N.T.S.

03-10-2022

BSPS-10B4



PLAN VIEW
VERTICAL WALL TO VERTICAL WALL

NOTES:

1. DETAIL SHOWS HENRY PRE-APPLIED WATERPROOFING SYSTEM FOR APPLICATIONS USING HENRY **BLUESKIN PRESEAL 320** OR **BLUESKIN PRESEAL 435**. SUBSTRATE SHOWN IS FOR REFERENCE ONLY.
2. HENRY **BLUESKIN PRESEAL 435** CAN BE INSTALLED DIRECTLY ONTO SHEET PILING. **BLUESKIN PRESEAL 320** REQUIRES A SMOOTH SURFACE SUCH AS PLYWOOD OR DRAINBOARD.
3. HENRY RECOMMENDS THE USE OF A DRAINBOARD IN NON-HYDROSTATIC CONDITIONS, OR AS A SUBSTRATE PREPARATION.
4. REFER TO PRODUCT SPECIFIC TECHNICAL DATA SHEET (TDS) AND GUIDE SPECIFICATION FOR INSTALLATION PROCEDURES.

MANUFACTURER GUIDE DETAILS ARE FOR REFERENCE ONLY. HENRY DOES NOT ASSUME RESPONSIBILITY FOR ERRORS OR DEVIATIONS IN DESIGN OR ENGINEERING. PROJECT SPECIFIC VERIFICATION IS RECOMMENDED PRIOR TO INSTALLATION.

HENRY PRE-APPLIED WATERPROOFING SYSTEM

EXPANSION JOINT
VERTICAL WALL TO VERTICAL WALL
GAPS UP TO 2" (50MM) WIDE MAXIMUM

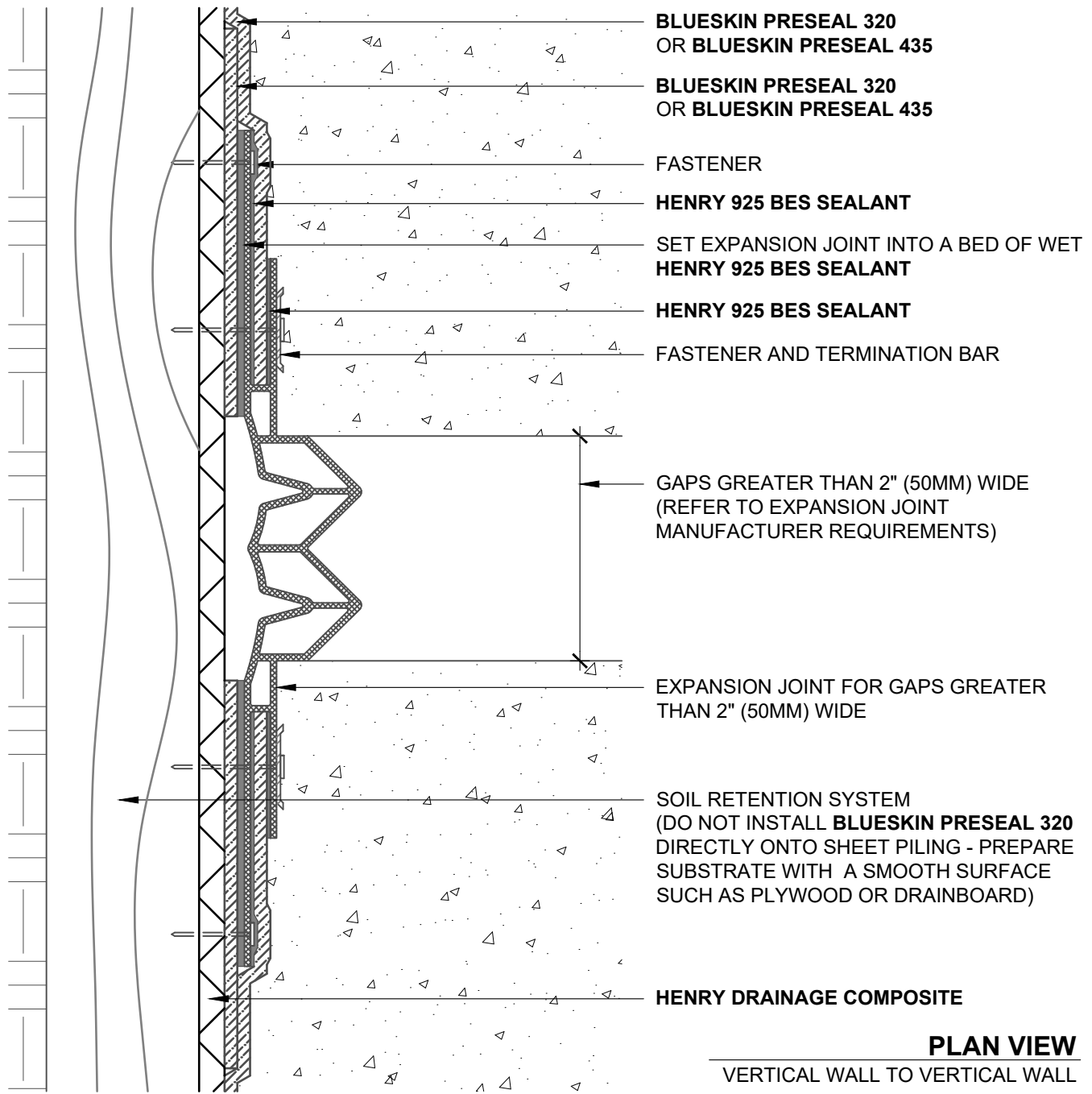
SCALE: N.T.S.

04-01-2021

BSPS-11A1



999 N. Pacific Coast Highway, Suite 800
El Segundo, CA 90245
800-486-1278 • www.henry.com



PLAN VIEW

VERTICAL WALL TO VERTICAL WALL

NOTES:

1. DETAIL SHOWS HENRY PRE-APPLIED WATERPROOFING SYSTEM FOR APPLICATIONS USING HENRY **BLUESKIN PRESEAL 320** OR **BLUESKIN PRESEAL 435**. SUBSTRATE SHOWN IS FOR REFERENCE ONLY.
2. HENRY **BLUESKIN PRESEAL 435** CAN BE INSTALLED DIRECTLY ONTO SHEET PILING. **BLUESKIN PRESEAL 320** REQUIRES A SMOOTH SURFACE SUCH AS PLYWOOD OR DRAINBOARD.
3. HENRY RECOMMENDS THE USE OF A DRAINBOARD IN NON-HYDROSTATIC CONDITIONS, OR AS A SUBSTRATE PREPARATION.
4. REFER TO PRODUCT SPECIFIC TECHNICAL DATA SHEET (TDS) AND GUIDE SPECIFICATION FOR INSTALLATION PROCEDURES.

MANUFACTURER GUIDE DETAILS ARE FOR REFERENCE ONLY. HENRY DOES NOT ASSUME RESPONSIBILITY FOR ERRORS OR DEVIATIONS IN DESIGN OR ENGINEERING. PROJECT SPECIFIC VERIFICATION IS RECOMMENDED PRIOR TO INSTALLATION.

HENRY PRE-APPLIED WATERPROOFING SYSTEM

EXPANSION JOINT
VERTICAL WALL TO VERTICAL WALL
GAPS GREATER THAN 2" (50MM) WIDE

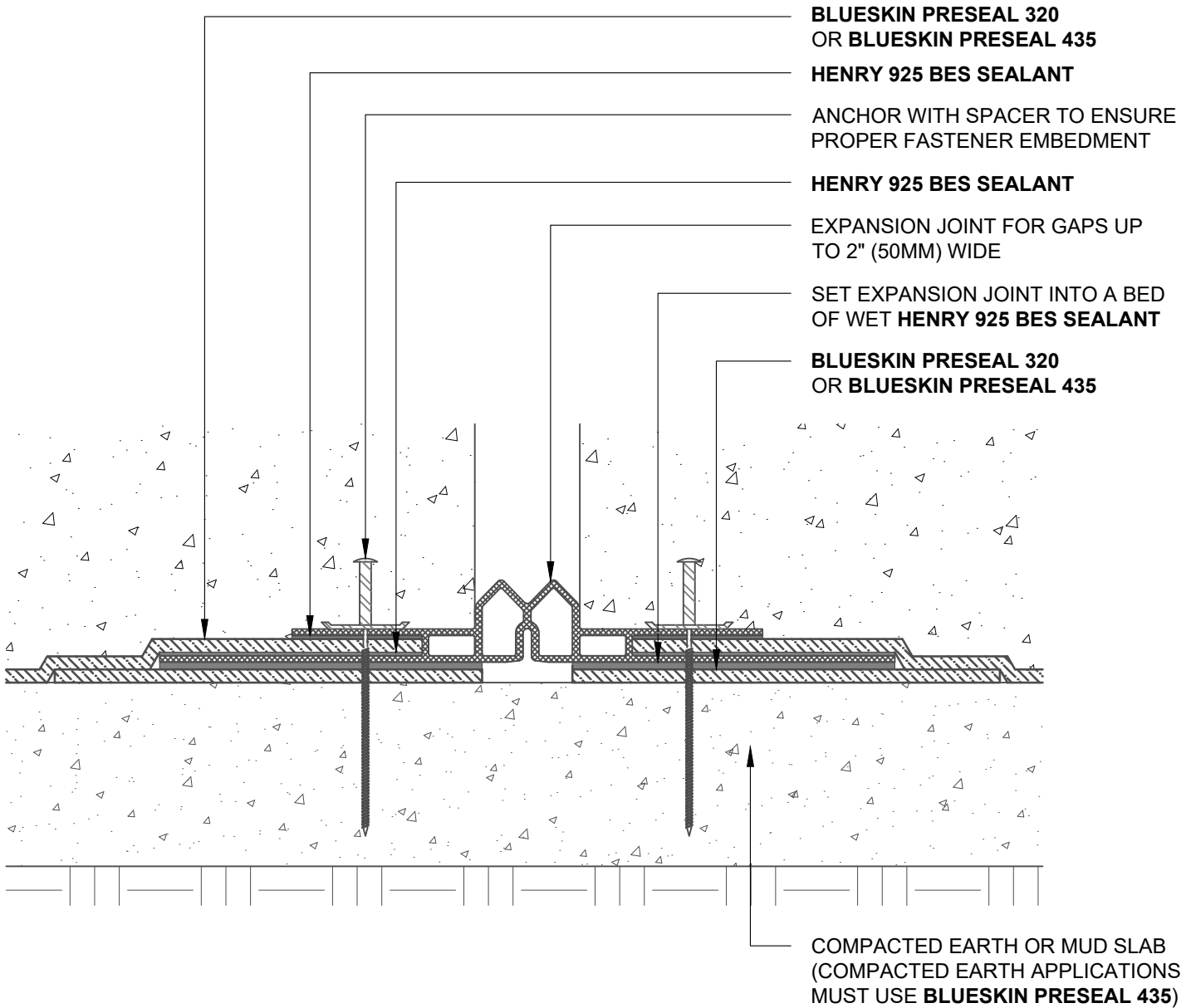
SCALE: N.T.S.

04-01-2021

BSPS-11A2



999 N. Pacific Coast Highway, Suite 800
 El Segundo, CA 90245
 800-486-1278 • www.henry.com



SECTION VIEW
DECK TO DECK

NOTES:

1. DETAIL SHOWS HENRY PRE-APPLIED WATERPROOFING SYSTEM FOR APPLICATIONS USING HENRY **BLUESKIN PRESEAL 320** OR **BLUESKIN PRESEAL 435**. SUBSTRATE SHOWN IS FOR REFERENCE ONLY.
2. HENRY **BLUESKIN PRESEAL 435** CAN BE INSTALLED DIRECTLY ONTO SHEET PILING. **BLUESKIN PRESEAL 320** REQUIRES A SMOOTH SURFACE SUCH AS PLYWOOD OR DRAINBOARD.
3. HENRY RECOMMENDS THE USE OF A DRAINBOARD IN NON-HYDROSTATIC CONDITIONS, OR AS A SUBSTRATE PREPARATION.
4. REFER TO PRODUCT SPECIFIC TECHNICAL DATA SHEET (TDS) AND GUIDE SPECIFICATION FOR INSTALLATION PROCEDURES.

Henry[®]

999 N. Pacific Coast Highway, Suite 800
El Segundo, CA 90245
800-486-1278 • www.henry.com

MANUFACTURER GUIDE DETAILS ARE FOR REFERENCE ONLY. HENRY DOES NOT ASSUME RESPONSIBILITY FOR ERRORS OR DEVIATIONS IN DESIGN OR ENGINEERING. PROJECT SPECIFIC VERIFICATION IS RECOMMENDED PRIOR TO INSTALLATION.

HENRY PRE-APPLIED WATERPROOFING SYSTEM

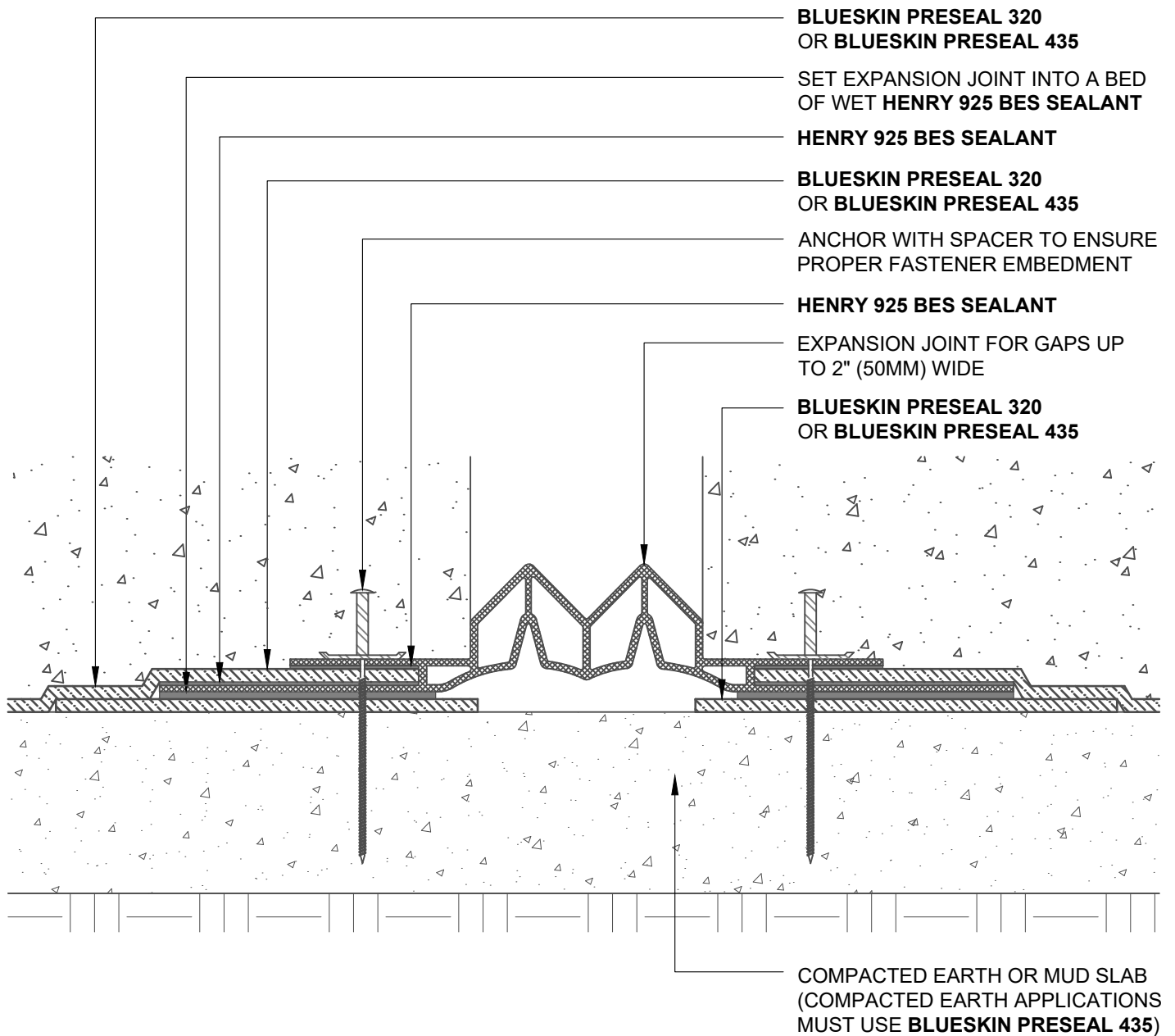
EXPANSION JOINT

DECK TO DECK
GAPS UP TO 2" (50MM) WIDE MAXIMUM

SCALE: N.T.S.

04-01-2021

BSPS-11B1



SECTION VIEW
DECK TO DECK

NOTES:

1. DETAIL SHOWS HENRY PRE-APPLIED WATERPROOFING SYSTEM FOR APPLICATIONS USING HENRY **BLUESKIN PRESEAL 320** OR **BLUESKIN PRESEAL 435**. SUBSTRATE SHOWN IS FOR REFERENCE ONLY.
2. HENRY **BLUESKIN PRESEAL 435** CAN BE INSTALLED DIRECTLY ONTO SHEET PILING. **BLUESKIN PRESEAL 320** REQUIRES A SMOOTH SURFACE SUCH AS PLYWOOD OR DRAINBOARD.
3. HENRY RECOMMENDS THE USE OF A DRAINBOARD IN NON-HYDROSTATIC CONDITIONS, OR AS A SUBSTRATE PREPARATION.
4. REFER TO PRODUCT SPECIFIC TECHNICAL DATA SHEET (TDS) AND GUIDE SPECIFICATION FOR INSTALLATION PROCEDURES.

Henry[®]

999 N. Pacific Coast Highway, Suite 800
 El Segundo, CA 90245
 800-486-1278 • www.henry.com

MANUFACTURER GUIDE DETAILS ARE FOR REFERENCE ONLY. HENRY DOES NOT ASSUME RESPONSIBILITY FOR ERRORS OR DEVIATIONS IN DESIGN OR ENGINEERING. PROJECT SPECIFIC VERIFICATION IS RECOMMENDED PRIOR TO INSTALLATION.

HENRY PRE-APPLIED WATERPROOFING SYSTEM

EXPANSION JOINT
DECK TO DECK
GAPS GREATER THAN 2" (50MM) WIDE

SCALE: N.T.S.

04-01-2021

BSPS-11B2

Warranty #: SAMPLE
Issued:
Expiration:

HENRY COMPANY ("Henry")
5 YEAR EXTENDED PREAPPLIED MATERIAL WARRANTY ("Warranty")
PRESEAL 320/435 ("PRODUCT")

Building Name: ("Building")
Building Owner: ("Owner")
Building Location:
Product(s) Substantial Completion Date:
Contractor:
Square Footage:

What This Limited Warranty Covers:

Commencing on the date of substantial completion and continuing for the duration of the Warranty period, if manufacturing defects in the Product(s) cause the Product(s) to not perform resulting in a leak then Henry at its sole option will, subject to the following section (**What This Warranty Does Not Cover**), either (1) refund Owner's original purchase price for the Product(s) based on the published price list at the time of substantial completion prorated by the unused portion of the warranty term; or (2) provide the amount of Product(s) necessary to make repairs. Under option (1), during the first year after installation of the Product(s), Henry will refund Owner's purchase price for the Product(s), exclusive of installation cost and minus any proration and costs previously incurred by Henry for the replacement of Product(s) under this Warranty. After the first year, the purchase price to be refunded will be prorated by the remaining number of years of the Warranty term, minus any cost previously incurred by Henry for the replacement of Product(s) under this Warranty.

Decisions as to the extent of repair or replacement required will be made solely by Henry. The decision of Henry with respect to this matter shall be final. The remedy under this Warranty is available only for that portion of the Product(s) found to be defective at the time of the warranty claim. The replacement Product(s) as well as any remaining original Product(s) will be warranted only for the original warranty period. This limited warranty applies only to Product(s) used for an application specified by Henry for the Product(s) and applied in strict accordance with Henry published guide specifications, as published on www.henry.com in effect at the time of application. IF PRODUCT(S) IS USED FOR OTHER THAN A HENRY DEFINED APPLICATION, MISUSED OR ABUSED, IT IS SOLD AS IS AND WITHOUT ANY EXPRESS OR IMPLIED WARRANTIES, INCLUDING OF MERCHANTABILITY OR FITNESS FOR A PARTICULAR PURPOSE.

What This Warranty Does Not Cover:

This Warranty warrants that the Product(s) will be free from manufacturing defects which affect the ability of the Product(s) to perform in conformance with the Product(s) label for its intended application during the Warranty Period; it is not a warranty that the Product(s) will never leak or age or to undertake responsibilities, liabilities or obligations other than those specifically identified in the preceding section.

The Contractor who installs the Product(s) is not a representative, agent or employee of Henry. Henry therefore is not bound by any representations made by the Contractor and does not warrant or guarantee the Contractor's workmanship.

Henry is not responsible or liable for: (a) personal injury or property damage of any kind, even if arising from a breach of this Warranty, (b) damage to the building, or to other components of the building or its contents, including mold, mildew or interruption or complete disruption in the use of the building, (c) expenses associated with installation, removal, excavation, or replacement of other materials, building assemblies, mechanical equipment or scaffolding in connection with accessing, testing, repairing, removal, or replacement of the Product(s), (d) change in color or other aesthetic diminution, and (e) damage to the Product(s) attributable to one or more of the following conditions:

1. Natural or man-made disasters including but not limited to floods, earthquakes, earth tremors, tornadoes, fires, civil insurrection, war, riots, terrorism, vandalism and malicious mischief;
2. Leaks or water ingress that occur outside of the waterproofing envelope provided by the Product;
3. Structural damage or failures including, but not limited to, settling or shifting, movement, cracking, or deflection of the Building, cracking or movement of structural members, slabs or any foundation element;
4. Cracking or any movement of the immediate substrate greater than 1/16 of an inch wide;
5. Changes in the Building's use, unless approved by Henry in writing in advance of any such change;
6. Placement, erection or construction of any new installation on or through the Product after the Date of Substantial Completion;
7. Repairs, modifications, alterations, or other applications to or on the Product(s) after the date of completion, unless performed in a manner expressly and specifically authorized and approved by Henry in advance, in writing;
8. Abuse, misuse, or abnormal use of the Building or Product;
9. Installation, or the failure thereof, of other systems or equipment (including, but not limited to, mechanical, electrical, and plumbing);
10. Incomplete contact between concrete and membrane not due to a failure of the Product;
11. Product damage due to improper concealment or chemical attack;
12. Waterproofing integrity of expansion joints is not covered under this Warranty and is not the responsibility of Henry's;
13. Failures that occur at an expansion joint, tie-in to an existing structure, or any joint where the membrane is not installed continuously across the joint such as a wall to slab cold joint extending up the wall or through slab where the Product is not installed under slab allowing a direct tie-in with the Product installed on wall;
14. This Warranty does not extend to any paint or paint products used in connection with any trim surfaces, nor does this Warranty cover staining or discoloration from any cause;
15. Ordinary wear and tear;
16. Leakage from connections between the System and other components of the building's exterior waterproofing system; and
17. Leakage resulting from lack of maintenance or performance of a permanent dewatering system.

Obtaining Warranty Service:

If the Product(s) fails to perform for its intended application resulting in leakage, notify Henry by email at warranty@henry.com, within 48 hours or within the two business days or by reasonable diligence have been discovered of any defect in the Product(s). Claims under this Warranty will require proof of purchase by the Owner or the Contractor who purchased and installed the product(s). Henry is not responsible for any claims without such proof of purchase. A purchase receipt or other proof of date of original purchase is required before warranty service is provided. The Owner shall provide Henry or its agents safe access to all parts of the Building necessary to conduct any investigation during regular business hours throughout the term of the Warranty. Should the alleged failure or the remedy sought by the Owner lie outside the scope of this Warranty, Owner agrees to promptly reimburse Henry for the cost of any investigation requested by Owner, including remedy costs, plus a Henry administrative fee of \$250.00.

Time for Remedy:

Henry shall have forty-five (45) days after receipt of written notification of a Product(s) defect to initiate either of the remedies contained in this Warranty unless prevented by acts of God or events beyond Henry's reasonable control.

Limitations and Exclusions:

TO THE EXTENT PERMITTED BY APPLICABLE LAW, HENRY DISCLAIMS ANY OTHER WARRANTY EXPRESS OR IMPLIED, THAN THAT PROVIDED FOR HEREIN. THIS WARRANTY IS IN LIEU OF AND EXCLUDES ALL OTHER WARRANTIES, GUARANTEES, CONDITIONS AND REPRESENTATIONS, EXPRESS OR IMPLIED, ORAL OR WRITTEN, STATUTORY OR OTHERWISE, INCLUDING BUT NOT LIMITED TO ANY IMPLIED CONDITIONS OR WARRANTIES AS TO THE MERCHANTABILITY OR FITNESS FOR A PARTICULAR PURPOSE OF THE HENRY PRODUCT(S). SOME STATES DO NOT ALLOW LIMITATIONS ON HOW LONG AN IMPLIED WARRANTY LASTS, SO THE ABOVE LIMITATION MAY NOT APPLY TO YOU. HENRY DOES NOT AUTHORIZE ANY PERSON INCLUDING ITS REPRESENTATIVES, TO MAKE ANY REPRESENTATION OR TO OFFER ANY WARRANTY, CONDITION OR GUARANTY IN RESPECT OF THE PRODUCT(S) OTHER THAN THIS WARRANTY. THIS MATERIAL WARRANTY CANNOT BE MODIFIED EXCEPT IN WRITING SIGNED BY HENRY'S WARRANTY MANAGER. THIS LIMITED WARRANTY SHALL BE THE OWNER'S SOLE AND EXCLUSIVE REMEDY AGAINST HENRY AND UNDER NO CIRCUMSTANCES SHALL HENRY BE LIABLE FOR AN AMOUNT GREATER THAN THE ACTUAL PURCHASE PRICE OF THE UNIT OR FOR ANY CONSEQUENTIAL, EXEMPLARY, SPECIAL, INCIDENTAL OR OTHER DAMAGES INCLUDING, BUT NOT LIMITED TO, LOSS OF PROFITS, LOSS OF USE, OR DAMAGE TO THE BUILDING OR ITS CONTENTS OR THE ROOF DECK. INCIDENTAL, CONSEQUENTIAL AND EXEMPLARY DAMAGES SHALL NOT BE RECOVERABLE EVEN IF THE REMEDIES OR THE ACTIONS PROVIDED FOR IN THIS WARRANTY FAIL OF THEIR ESSENTIAL PURPOSE. SOME STATES DO NOT ALLOW THE EXCLUSION OR LIMITATION OF INCIDENTAL OR CONSEQUENTIAL DAMAGES, SO THE ABOVE LIMITATION OR EXCLUSION MAY NOT APPLY TO YOU. HENRY SHALL NOT BE LIABLE FOR ANY DAMAGES WHICH ARE BASED UPON NEGLIGENCE, GROSS NEGLIGENCE, BREACH OF WARRANTY, BREACH OF CONTRACT, STRICT LIABILITY OR ANY OTHER LEGAL THEORY OF LIABILITY OTHER THAN THE EXCLUSIVE LIABILITY SET FORTH IN THIS WARRANTY.

Conditions of Warranty:

HENRY's continuing liability under this Warranty is conditioned upon the following:

- a) The Product(s) was stored, handled, applied and maintained in accordance with HENRY's instructions, recommendations and specifications in effect at the time of application;

- b) The Product(s) and all components thereof have been sold by Henry except where authorized by Henry;
- c) Henry, the distributor and Contractor have been paid in full for the Product(s);
- d) The Product(s) has not been altered, modified or repaired without prior written approval of Henry;
- e) The Owner has notified Henry in writing of any failure of the Product(s) covered by this Warranty within fourteen two days following such failure;
- f) There has been no misuse, abuse or negligence with respect to the Product(s) on the part of the Henry, facility or mechanical tradesmen; and
- g) Owner maintains, and had maintained since the date of substantial completion, the Product(s) in accordance with Henry published instructions in effect as of date of substantial completion.

Transfer:

This Warranty is assignable conditioned upon prior written approval by Henry. Such approval is subject to the terms, conditions and fees contained in Henry's application for transfer of warranty and shall not be unreasonably withheld.

Waiver:

HENRY's failure at any time to enforce or rely upon any of the terms or conditions stated herein shall not be construed to be a waiver of its rights hereunder.

OWNER's Agreement:

Henry would not agree to assume the obligations contained in this Warranty in the absence of any of the limitations and exclusions contained herein. Therefore, (1) Owner's agreement to each and every term of this Warranty is an essential condition precedent to Henry's obligations hereunder; (2) in the absence of such agreement by the Owner the Product(s) is sold AS IS AND WITHOUT ANY EXPRESS OR IMPLIED WARRANTIES, INCLUDING OF MERCHANTABILITY OR FITNESS FOR A PARTICULAR PURPOSE; (3) failure of any condition precedent herein shall discharge Henry from all further obligation under this Warranty, and the disclaimer herein of any other warranties, conditions and representations shall survive; and (4) by accepting or asserting any rights hereunder, Owner irrevocably agrees to indemnify and hold harmless Henry, its affiliates, successors, assigns, directors, officers, employees and agents (each an "Indemnified Party") from and against all claims, expenses (including attorney's fees and expenses), losses, liabilities and damages in any way related to or arising from matters described in the section of this Warranty entitled "What This Warranty Does Not Cover," and all amounts paid in defense of the foregoing which may be imposed upon, incurred by or asserted against an Indemnified Party by any person, firm or entity.

Except as otherwise expressly provided above, this Warranty shall be governed by and construed in accordance with the laws of the State of Texas without regard to conflict of law rules.

THIS WARRANTY GIVES YOU SPECIFIC LEGAL RIGHTS, AND YOU MAY ALSO HAVE OTHER RIGHTS WHICH VARY FROM STATE TO STATE. THIS WARRANTY IS ONLY VALID WITHIN THE UNITED STATES AND ITS TERRITORIES.

HENRY COMPANY LLC

By: _____
Name:

Date: _____

NOTE: SAMPLE WARRANTIES ARE PROVIDED CONDITIONALLY AND SHOULD NOT BE CONSTRUED OR INTERPRETED AS A REPRESENTATION OR PROMISE THAT HENRY WILL IN FACT PROVIDE SUCH A WARRANTY FOR A SPECIFIC PROJECT. HENRY WARRANTIES ARE NOT VALID OR BINDING UNLESS AND UNTIL ALL OF HENRY'S REQUIREMENTS FOR WARRANTY ISSUANCE ARE MET AND A PROJECT-SPECIFIC WARRANTY IS ISSUED. HENRY RESERVES THE RIGHT TO MODIFY THE TERMS OF ITS SAMPLE WARRANTIES FOR ANY REASON, AT ANYTIME, WITH OR WITHOUT NOTICE. FOR MORE INFORMATION ABOUT HENRY'S REQUIREMENTS, PLEASE CONTACT THE HENRY WARRANTY DEPARTMENT AT WARRANTY@HENRY.COM.

Product Certification

Henry® Blueskin PreSeal™ 435 Pre-applied Waterproofing Membrane

Blueskin PreSeal 435 is a pre-applied composite sheet membrane that consists of a polypropylene membrane laminated to a chemically enhanced non-woven geotextile fleece.

Blueskin PreSeal 435 is designed and intended for waterproofing below ground structural concrete surfaces under continual or intermittent hydrostatic pressure.

Blueskin PreSeal 435 meets the following:

- ASTM D5385 Resistance to Hydrostatic Head at 231 ft.
- ASTM D5385 (modified) Lateral Migration Resistance at 231 ft.
- ASTM E96 B Water Vapor Permeance <0.01 Perms
- ASTM E154 Puncture Resistance at 225 lbs
- ASTM D903 Peel Adhesion to Concrete at 5 lb/in

Blueskin PreSeal is compatible with the following commonly used Henry products:

- Blueskin PreSeal Tapes (120V / 50S)
- 925 BES Sealant
- Synkoflex Waterstop
- Hydroflex Waterstop
- Blueskin WP200
- Henry Drain Board
- Blueskin SA
- Blueskin Metal Clad
- Blueskin Butylflash

Blueskin PreSeal 435 is compatible with concrete, plywood, dimensional lumber and plywood.

Blueskin PreSeal 435 has 0 g/L VOC content

Physical properties and application instructions are available on Henry technical data sheets viewable at www.henry.com. or upon request.

