

Henry® Blueskin® WP 200

Self-Adhered Waterproofing Membrane

Submittal Packet



Table of Contents

Henry® Blueskin® WP 200 Self-Adhered Waterproofing Membrane

Technical Data Sheets

Membrane

Henry Blueskin WP 200.....	3
----------------------------	---

Primer Options

Henry Aquatac™ Primer	6
Henry Blueskin Adhesive.....	8
Henry Blueskin LVC Spray Primer	10

Flashing Options

Henry Blueskin WP 200.....	13
----------------------------	----

Sealant Options

Henry 925 BES Sealant	16
Polybitume 570-05 Polymer Modified Sealing Compound	19

Additional System Components

Henry Drain Board	21
Carlisle MiraSTOP™ BW	23

Safety Data Sheets

Henry Blueskin WP 200.....	25
----------------------------	----

Health and Product Declaration

Henry Blueskin WP 200.....	32
Declare Label.....	36

Architectural Details

Henry Blueskin WP 200 – All Details	37
---	----

Sample Warranty

Henry Blueskin WP 200 5 Year Material Warranty	55
--	----

Product Certification

Henry Blueskin WP 200 Product Certification.....	57
--	----

LEED Declarations

Henry Blueskin WP 200 LEED Information.....	58
---	----



#1 CHOICE OF PROFESSIONALS®

Blueskin® WP200

Self-Adhered Waterproofing Membrane

Physical Properties

-Color	Blue	-Flexibility at -15°F	Pass
-Thickness	60 mils (1.5 mm)	(ASTM D1970)	
-Application Temp	14°F (-10°C) and above	-Water Vapor	0.02 perms (1.14 ng/Pa.s.m ²)
-Elongation	300% (To ultimate failure of	Transmission	
(ASTM D412)	rubberized asphalt)	(ASTM E96)	
-Tensile Strength	325 psi (2.24 Mpa)	-Lap Peel Strength @ 40°F	3.3 lbf/in (580 N/m)
(Membrane)		(ASTM D1876)	
ASTM D412 – modified		-Hydrostatic Head	231 feet (70 m of water)
-Peel Strength	9 lbs/in (1576 N/m)	(ASTM D5385)	
(ASTM D903)		-Moisture Absorption	0.1% maximum
-Minimum Puncture	50 lbs (222 N/m) minimum.	(ASTM D570-81)	
Resistance – Membrane			
(ASTM E154)			

Packaging

-Thickness	60 mils (1.5 mm)	-Gross Coverage	
-Roll Length	66.7 ft.	36"	200 ft ²
-Roll Width	36"	-Net Coverage*	
-Top Surface	Blue, cross-laminated	36"	186 ft ²
	polyethylene (HDPE)		
-Bottom Surface	Siliconized Release Film		

*Based on 65 mm laps both sides and end laps.

Description

Blueskin® WP200 is a self-adhering waterproofing membrane consisting of SBS rubberized asphalt compound, which is integrally laminated to a blue, tough, high-density cross-laminated polyethylene film. The membrane is specifically designed to be self-adhered to a prepared substrate providing a high-performance waterproofing barrier even under hydrostatic head pressures to 231feet.

Features

- 60 mil thick, SBS modified membrane
- Excellent cold weather application properties
- No VOC's and low odor
- CCMC listed
- Unique side-lap feature offers superior water-tightness
- Factory controlled thickness
- Fully adhered systems prevents lateral water movement
- Resists up to 231 feet of positive-side head pressure

Limitations

Non-resistant to oils and solvents. Not designed for use in direct contact with potable water or permanent exposure and must be covered to prevent damage from sunlight. Good practice calls for the membrane to be covered immediately following application. Refer to minimum cure time requirements of sealant and mastics prior to applying polystyrene insulation. Do not use in contact with flexible PVC/vinyl products. Use only **Henry 925 BES Sealant** for terminations and penetration sealant to assure sealant compatibility. Using solvent-based primers in below-grade applications is not recommended to avoid possible hazardous fume accumulations.

Storage

Store in original cartons, on pallets or elevated platform. Protect from weather or store in an enclosed area below 120°F. Double stacked pallets are not recommended. If double stacking is necessary, use a plywood sheet to distribute the load.

Blueskin® WP 200 Self-Adhesive Waterproofing Membrane

Uses

Blueskin® WP200 is designed for use as a self-adhered sheet waterproofing membrane in above or below grade applications. Principal application is on concrete foundation walls, plaza decks, tunnels, and parking decks in both vertical and horizontal orientations. **Blueskin® WP200** is an ideal membrane for use in interior applications such as mechanical rooms, laboratories and wet-rooms. Combined with **Aquatac** water based primer, offers excellent performance in ICF applications.

Surface Preparation

Acceptable substrates are cast-in-place concrete, precast concrete, wood, concrete block, and polystyrene insulation form foundations. Parging of concrete blocks is not required. All surfaces to receive **Blueskin® WP200** must be clean of oil, dust and excess mortar. Concrete surfaces must be smooth and without large voids, spalled areas or sharp protrusions. Concrete must be allowed to cure a minimum of 7 days and must be dry and free from frost before **Blueskin® WP200** is applied. Structural lightweight concrete must be cured 14 days. Where curing compounds are used, they must be clear resin based, without oil, wax or pigments. Prime substrate using **Aquatac™** applied by spray or roller at a rate of 300ft²/3.78L and allow to dry thoroughly before applying **Blueskin® WP200**. Primed surfaces not covered by membrane during the same working day must be reprimed.

Application

Refer to **Blueskin® WP200** Guide Specification for detailed application information.

Joint and Crack Treatment: All cracks in concrete 1/16" to 1/8" wide are to be pre-treated with a flush application of **Henry 925 BES Sealant** filling crack. Alternately, apply a 6" wide strip of **Blueskin® WP200** centered over crack. Provide 3" end laps. Horizontal to vertical inside corner transition areas are to be pre-treated with an **Henry 925 BES Sealant** fillet extending 3/4" vertically and horizontally from the corner. Apply a minimum 9" strip of **Blueskin® WP200** membrane centered at the joint. All outside corners are to be pre-treated with a minimum of 9" strip of **Blueskin® WP200** membrane centered at the joint. Drains: At drains, apply waterproofing membrane collar centered on drain and extend 6" beyond flange onto deck. Apply field membrane in full width centered over drain. Apply clamping ring in a 60-mil bed of **925 BES Sealant**. Projections: Extend **Blueskin® WP200** membrane tight to projection and seal with **925 BES Sealant** extending 2" along projection and 2" onto **Blueskin® WP200** membrane.

Vertical Applications: Apply **Blueskin® WP200** waterproofing membrane to prepared substrate in lengths of 8' or less. Provide 2 1/2" laps at both sides and ends. Position for alignment and remove protective film. Press firmly into place. Promptly roll all laps with a counter top roller to effect seal. If more than one length is required on a vertical surface, apply a shingle fashion. Terminate membrane using **925 BES Sealant**, termination bar, reglet or counter flashing as indicated. Refer to manufacturers standard details. All laps within 12" of 90° change in plane are to be sealed with **925 BES Sealant**.

Horizontal Applications: Apply **Blueskin® WP200** waterproofing membrane to prepared substrate beginning at the low point of the surface and working to the high point in a shingle fashion. Provide 2 1/2" side and end laps. Roll membrane immediately over entire surface to ensure best seal. At all terminations and T-joints, seal laps using **925 BES Sealant**. All laps within 12" of a 90° change in plane are to be sealed with **925 BES Sealant**.

For optimal adhesion on applications below 40°F, **Blueskin® WP200** waterproofing membrane should be applied within one hour of the primer application.

Protection of Membrane

Protection board and/or **Henry DB Drain Boards** are recommended over all below-grade **Blueskin® WP200** applications.

Limited Warranty

LIMITED PRODUCT WARRANTY AND LIABILITY DISCLAIMER: Many factors affect the results obtained from this product – such as weather, workmanship, equipment utilized, and prior condition of the substrate – and these are all beyond our control. We, the manufacturer, warrant only that we will replace, at no charge, any product proved to have a material defect in original manufacturing within 12 months of purchase, provided the product has been applied in accordance with our written directions for uses we recommend as suitable for this product. Proof of purchase must be provided. **DISCLAIMER OF CONDITIONS/WARRANTIES AND LIMITATION OF LIABILITY:** THIS LIMITED WARRANTY IS IN LIEU OF ANY OTHER CONDITIONS OR WARRANTIES, EXPRESS OR IMPLIED, INCLUDING BUT NOT LIMITED TO ANY IMPLIED CONDITION OR WARRANTY OF MERCHANTABILITY OR FITNESS FOR A PARTICULAR PURPOSE. NO ONE, INCLUDING THE MANUFACTURER, SHALL HAVE ANY LIABILITY OF ANY KIND, INCLUDING FOR NEGLIGENCE OR FOR DIRECT, CONSEQUENTIAL, OR INCIDENTAL DAMAGES, RESULTING FROM ANY MISUSE, DEFECTS, ANY DELAYS CAUSED BY REPLACEMENT, OR OTHERWISE BEYOND PRODUCT REPLACEMENT. IF PURCHASER DOES NOT ACCEPT THESE TERMS, PURCHASER MAY RETURN ALL CONTAINERS OR PACKAGES OF PRODUCT PURCHASED FOR A FULL REFUND WITHIN 30-DAYS OF PURCHASE. RETENTION OF PRODUCT BEYOND 30-DAYS, OR USE OF PRODUCT SHALL CONSTITUTE ACCEPTANCE OF THESE TERMS, CONDITIONS, AND DISCLAIMERS. THIS LIMITED WARRANTY AND LIABILITY DISCLAIMER PROVIDES THE PURCHASER'S EXCLUSIVE REMEDY, FROM ANYONE, FOR ANYTHING RELATING TO THE PRODUCT. To the extent that any part of this LIMITED PRODUCT WARRANTY AND LIABILITY DISCLAIMER is determined unenforceable under the law of the place of purchase of the product, that part is severed and the remainder of these terms remain in full force and effect. To the extent permitted by law, the duration of any implied conditions or warranties is limited to the duration of Henry's express warranty.

Statement of Responsibility

The technical and application information herein is based on the present state of our best scientific and practical knowledge. As the information herein is of a general nature, no assumption can be made as to a product's suitability for a particular use or application and no warranty as to its accuracy, reliability or completeness either expressed or implied is given other than those required by law. The user is responsible for checking the suitability of products for their intended use. Henry Company data sheets are updated on a regular basis; it is the user's responsibility to obtain and to confirm the most recent version. Information contained in this data sheet may change without notice.



Physical property	Typical value
Color	Aqua
Solids by Volume	53% (approx.)
Weight	8.3 lbs/gal (approx.)
Application Temperature	25 °F to 104 °F
Coverage	Up to 500 ft ² /gal depending on porosity and texture of surface
Maximum VOC	50 g/l
Drying Time	@ 50% R.H. 68 °F Dry Substrate
- Initial Set	30 minutes
- Set Through	2 hours
Service Temperature	Minus 40 °F to 150 °F
Flammability	
- Wet	Non-Flammable
- Dry	Burns

Description

Aquatac™ Primer is a polymer emulsion based primer for self-adhered membranes.

Features and benefits

- Quick drying
- Highly tacky film provides positive adhesion to membrane
- Non-flammable during application
- Easily applied by spray, brush or roller
- Water based, no solvent odors
- Specially designed to provide a high level of tack on vertical surfaces

Usage

Used as a primer for self-adhered membranes such as **Blueskin® WP200** when applied to masonry, concrete, non-treated wood, drywall and metal.

Application

Surface Prep: All surfaces must be dry and free from dust, dirt, grease, oil or other foreign matter.

Apply: **Aquatac™ Primer** is applied by roller at a rate up to 500 sq. ft. per gallon depending on the porosity and texture of the surface and allow to dry. Airless, air assist, or air spray equipment may also be used. Not suitable for use with a garden type sprayer. Pour primer from container into sprayer and spray fine mist over the entire substrate. Allow primer to dry thoroughly before applying membrane. Primer surfaces not covered by membrane during the same working day must be reprimed. **Aquatac™ Primer** is intended to be used as supplied and should not be diluted.

Clean Up: For uncured film use water. Use mineral spirits for cured films.

Precautions

Protect from freezing during shipping, storage and application. Apply under dry conditions above 25 °F. Avoid freezing. Store product above 32 °F.

Henry Aquatac Primer

Caution

In case of eye contact, open eyelids wide and flush immediately with plenty of water for at least 15 minutes.

Seek medical attention.

Do not heat container or store at temperatures greater than 120 °F (49 °C).

Close container after each use.

Use protective measures to avoid contact with eyes and skin. If swallowed, seek medical attention immediately.

In case of accidental injection by power spray equipment, seek medical attention immediately.

Dispose of container and unused contents in accordance with local, state, and federal regulations.

Keep out of reach of children.

Protect from freezing.

For exterior use only.

Product size/packaging

5 gallon pail

Storage

Store rolls on end, on original pallets or elevated platform. Protect from weather or store in an enclosed area not subject to heat over 120 °F (49 °C). In cold weather, it is recommended to warm rolls to 50 °F (10 °C) or above prior to application to assure adhesion to substrate.

For more information, visit www.henry.com or for technical assistance call us at 800-486-1278. For more information on Henry's® product warranty and liability disclaimer please visit www.henry.com/warranty. Refer to the Safety Data Sheet prior to using this product. The Safety Data Sheet is available at www.henry.com or by emailing Henry® Product Support at productsupport@henry.com or by calling 800-486-1278.

Henry is a registered trademark of Henry Company.
Covered by US patent 6,901,712; Canadian patent 2,413,550.

The technical and application information herein is based on the present state of our best scientific and practical knowledge. As the information herein is of a general nature, no assumption can be made as to a product's suitability for a particular use or application and no warranty as to its accuracy, reliability or completeness either expressed or implied is given other than those required by law. The user is responsible for checking the suitability of products for their intended use. Henry® Company data sheets are updated on a regular basis; it is the user's responsibility to obtain and to confirm the most recent version. Information contained in this data sheet may change without notice.

Physical Properties

Application Temperature 10°F to 104°F	Drying Time (Set through) 2 hours	Maximum VOS 3.75 lbs/gal
Color Blue	Flammability Wet - Flammable, Dry - Burns	Service Temperature, cured bead -40°F to 158°F
Drying Time (Initial set) 30 minutes	Maximum VOC 450 g/l	Solids By Weight 35%

Description

HE571 - BLUESKIN ADHESIVE is a quick drying, rubber-based adhesive designed to enhance the bond of self-adhering membranes. It is the surface preparation of choice on above and below grade applications where a quick setting, aggressive tack is required.

Usage

FOR INDUSTRIAL USE ONLY. Used as an adhesive of self-adhering membranes, such as Henry Blueskin® membranes, when applied to masonry, concrete, wood, gypsum board, and metal surfaces.

Coverage

Approximately 80 to 250 sq. ft. (7.4 to 23m sq.) per gallon

Surface Preparation

CLEAN: Surfaces must be dry and free from dust, dirt, grease, oil, or other foreign matter.

Application

Apply by brush, roller or spray. Rollers should have a heavy nap of natural material such as lamb's wool. Allow adhesive to dry for 30 minutes before applying membrane. Coated surfaces not covered during the working day must be recoated.

Precautions

DO NOT THIN. Avoid direct application on polystyrene materials. Use only in well ventilated areas. Keep away from flame. Material is extremely flammable. See precautions below. Avoid use where solvent odors may taint food or other susceptible products. When transporting this product, make sure the pail is secured and the lid is tight to prevent spills.

Children can fall into bucket and drown. Keep children away from bucket with even a small amount of liquid.

Cleanup

Equipment can be cleaned with biodegradable terpene solvent or mineral spirits. Use care in handling solvents. Clean hands with waterless hand cleaner.

Caution

Highly flammable liquid and vapor. Causes skin irritation. Causes serious eye irritation. May cause respiratory irritation. May cause drowsiness or dizziness.

Prevention: Keep away from heat, sparks, open flames, and hot surfaces. No smoking. Keep containers tightly closed. Use explosion-proof electrical/ventilating/lighting equipment. Use only non-sparking tools. Take precautionary measures against static discharge. Wash thoroughly after handling. Contaminated clothing should not be allowed out of the work place. Avoid breathing vapors, mists and sprays. Use only outdoors or in a well-ventilated area. Wear protective gloves and eye protection.

Response: In case of fire, use alcohol foam, carbon dioxide (CO₂), or dry chemical to extinguish. IF ON SKIN: Take off immediately all contaminated clothing. Wash with plenty of soap and water. If skin irritation occurs; Get medical advice or attention. Take off contaminated clothing and wash it before reuse. IF IN EYES: Rinse cautiously with water for several minutes. Remove contact lenses, if present and easy to do. Continue rinsing. If eye irritation persists: Get medical advice or attention. IF INHALED: Remove person to fresh air and keep comfortable for breathing. Call a POISON CENTER or doctor if you feel unwell.

Storage: Store locked up. Store in a well-ventilated place. Keep cool.

Disposal: Dispose of contents/containers in accordance with local/regional/national/international regulations.

See safety data sheet for further details regarding the safe use of this product.

KEEP OUT OF REACH OF CHILDREN.

FOR EXTERIOR USE ONLY.

WARNING: This product contains chemicals known to the State of California to cause cancer and/or birth defects or other reproductive harm.

Product Sizes

4.5 GAL/17 L w/SPOUT (40 lb)

Limited Warranty

We, the manufacturer, warrant only that this product is free of defects, since many factors which affect the results obtained from this product - such as weather, workmanship, equipment utilized and prior condition of the substrate - are all beyond our control. We will replace at no charge any product proved to have a material defect within 12 months of purchase, provided it has been applied in accordance with our written directions for uses we recommended as suitable for this product. Proof of purchase must be provided. **DISCLAIMER OF WARRANTIES AND LIMITATION OF LIABILITY: THIS LIMITED WARRANTY IS IN LIEU OF ANY OTHER WARRANTIES EXPRESS OR IMPLIED INCLUDING BUT NOT LIMITED TO ANY IMPLIED WARRANTY OF MERCHANTABILITY OR FITNESS FOR A PARTICULAR PURPOSE. MANUFACTURER SHALL HAVE NO LIABILITY OF ANY KIND BEYOND PRODUCT REPLACEMENT, INCLUDING FOR CONSEQUENTIAL OR INCIDENTAL DAMAGES RESULTING FROM ANY DEFECTS OR ANY DELAYS CAUSED BY REPLACEMENT OR OTHERWISE. IF PURCHASER DOES NOT ACCEPT THESE TERMS OF HENRY'S LIMITED WARRANTY, PURCHASER MAY RETURN ALL CONTAINERS OR PACKAGES OF PRODUCT PURCHASED FOR A FULL REFUND (PROVIDED THE CONTAINERS OR PACKAGING IS UNOPENED AND LESS SHIPPING CHARGES IF ANY) WITHIN 30-DAYS OF PURCHASE. RETENTION OF PRODUCT BEYOND 30-DAYS FROM PURCHASE, OR USE OF PRODUCT SHALL CONSTITUTE ACCEPTANCE OF HENRY'S LIMITED WARRANTY TERMS, CONDITIONS AND DISCLAIMERS. THIS LIMITED WARRANTY PROVIDES THE PURCHASER'S EXCLUSIVE REMEDY FOR ANY DEFECT IN THE PRODUCT.** For further details of Henry's product warranty, see our website at www.henry.com/warranty.

Typical Physical Properties

Color	Blue
Base	Synthetic polymer
Application Temperature	40°F to 100 °F (4.4°C to 37.8°C)
Spray Pattern	Wide-web spray
Dry Time	1 to 3-minutes
Open Time	Up to 30-minutes
Solvent	Ester/Aliphatic hydrocarbon
Flash Point	<0°F (<-18°C)
Maximum VOC	250 g/l
Weight Per Gallon	7.16 lb (3.25 kg)
Shelf Life (Unopened)	12-months

Description

Henry 573 Blueskin LVC Spray Primer is a quick drying, low VOC (Volatile Organic Compound), rubber-based primer. It is designed to enhance the bond of peel and stick air barriers and waterproofing membranes, and also to bond system accessories, such as drain board, filter fabric, and polystyrene to masonry, concrete, wood, gypsum board, DensGlass® sheathing, and metal surfaces. It contains no chlorinated solvents and offers an excellent alternative to methylene chloride-based products.

Henry 573 Blueskin LVC Spray Primer is the surface preparation of choice on above and below grade applications where a quick setting, aggressive tack, is required.

Features

- Easy spray application, quick setting, and long working time
- Excellent adhesion to a wide variety of substrates
- Low VOC

US Regulatory Compliance

- OTC (Ozone Transport Commission), Rule for Adhesives and Sealants
- SCAQMD (South Coast Air Quality Management District) Rule 1168 – Adhesive and Sealant Applications
- All California Air District Regulations

Product Size

27 lb (12 kg) canisters

Usage

Henry 573 Blueskin LVC Spray Primer increases the bond strength to substrate for peel and stick air barrier and waterproofing membranes, such as Blueskin SA, SA-LT, TWF, WP200, and Blueskin VP, and also bonds system accessories, such as drain board, filter fabric, and polystyrene to masonry, concrete, wood, gypsum board, DensGlass® sheathing, and metal surfaces.

Henry 573 Blueskin LVC Spray Primer

Primer should not be applied directly to polystyrene; apply primer to the substrate only and follow Application instructions. Test primer on the product to be bonded before use when in doubt of compatibility.

Surface Preparation

Surfaces must be dry and free from dust, dirt, grease, oil, or other foreign matter.

Coverage

Approximately 1,650 to 2,450 square feet (153 to 228 m²) per canister depending on the porosity and texture of the surface and thickness of application. To assure proper spray pattern, prior to use store canister overnight in a room temperature environment. Application below 40°F (4.4°C) is not recommended.

Recommended Equipment

Airless spray gun, such as GunJet® AA23L, ASM 200, Graco® SG-1, or equivalent airless spray gun, and 6' (1.83 m) hose. Spray gun and hose are not included.

Application

Hose Connection: Use Teflon® tape on all fittings. Before initial use, securely attach spray gun to hose, then hose to canister; ensuring not to cross thread fittings. Open valve and check for leaks. Use only in well ventilated areas. Keep away from flame. Material is extremely flammable (see precautions below). Before beginning to spray, check area for ignition sources. Use protective eyewear (goggles) and gloves when handling. Read **Safety Data Sheet (SDS)** for complete safety information prior to use. Do not aim spray nozzle in direction of people.

Apply Blueskin LVC Spray Primer between 40°F to 100°F (4.4°C to 37.8°C) in order to obtain proper spray pattern. Fully open canister valve and do not close until empty. Hold spray nozzle approximately 8 to 12-inches (20 to 30 cm) from substrate and spray at a 90° angle from the substrate and even web coat. Apply at recommended coverage. Do not allow primer to “puddle”. Allow primer to dry until tacky for a minimum of 1 to 3 minutes at 60°F (15.6°C), under normal conditions, before bonding. Heat and humidity, or cold weather can cause longer drying times. Surfaces are dry if primer is tacky, but no primer transfers to the hand when touched. Use knuckles to test for tackiness. Complete the bond within 30-minutes, under normal conditions, after the primer is dry. If the two surfaces do not bond immediately when brought into contact, they have dried too long and another coat of primer should be applied to at least one of the surfaces. Coated surfaces not bonded during the working day must be recoated.

Carefully position coated surfaces before putting them together since no shifting is possible once contact is made. Bond surfaces together and immediately apply firm and uniform pressure over entire surface; work from the center to the edges.

Please consult Product Support for any specific questions regarding the application of this product.

Clean-up

Equipment can be cleaned with biodegradable terpene solvent or mineral spirits. Use care in handling solvents. Clean hands with waterless hand cleaner.

Storage and Disposal General Recommendations

Store canisters out of direct sunlight in a cool, well-ventilated area. Avoid storing canisters directly on the floor or against an outside wall. The shelf life for an unopened canister of this product, stored at temperatures between 60°F and 95°F (15.6°C and 35°C), is 12-months from date of manufacture. Observe all labeled hazard precautions.

Empty Canister Venting Instructions: The canister must be empty and permanently vented before disposing of it. The canister is empty when only air is coming out of the spray gun. Shut off the valve and remove the hose and spray gun. The empty canister will still have residual pressure and a small amount of liquid. In a well-ventilated area, open the valve and allow the pressure to drain and liquid to dry for at least 24-hours before permanently venting the canister. Opening the valve only is not sufficient and the canister must be permanently vented for proper disposal. After the pressure has been drained and liquid has dried, to permanently vent the empty canister, keep the valve in the open position and punch out the pressure relief disk. A non-sparking plastic, rubber, or wooden tool should be used to punch out the pressure relief disk. Do not punch out the pressure relief disk in the same area that the canister was drained in. The pressure relief disk is located at the top of the canister.

Henry 573 Blueskin LVC Spray Primer

The empty **and vented** canister can be disposed of as solid waste or recycled as scrap metal where local regulations and recycling facilities allow.

For further details, refer to the "Guidelines For The Storage And Disposition of Henry 573 Blueskin LVC Spray Primer Canisters" Henry Tech-Talk.

Precaution

DO NOT THIN. Avoid use where solvent odors may taint food or other susceptible products

**KEEP OUT OF REACH OF CHILDREN.
FOR INDUSTRIAL USE ONLY.
FOR EXTERIOR USE ONLY.
PLEASE READ THE ENTIRE LABEL.**

DANGER! EXTREMELY FLAMMABLE LIQUID AND VAPOR. VAPORS MAY CAUSE FLASH FIRE AND EXPLOSION. CONTENTS UNDER PRESSURE. VAPORS HARMFUL. Contains hexane, methyl acetate, and hydrocarbon propellants. Vapors may ignite explosively. Keep away from heat, sparks, and flame. Do not smoke. Extinguish all flames and pilot lights; turn off all stoves, heaters, electric motors, and other sources of ignition during use and until all vapors are gone. Do not heat container or store at temperatures greater than 120°F (48.8°C). **CLOSE AIR INTAKES** until solvents dissipate. Contains volatile solvents that might contaminate potable water. Close container after each use. **FIRST AID: DANGER! HARMFUL OR FATAL IF SWALLOWED!** If swallowed, do not induce vomiting. **CALL PHYSICIAN IMMEDIATELY!** May be harmful if absorbed through skin. Use protective measures to avoid contact with eyes and skin. In case of eye contact, open eyelids wide and flush immediately with plenty of water for at least 15-minutes. **GET MEDICAL ATTENTION! USE ONLY WITH ADEQUATE VENTILATION!** Avoid breathing of vapor. If you experience eye watering, headaches or dizziness, leave area or increase fresh air or wear respirator (NIOSH/MSHA TC 23C or equal). Repeated and prolonged occupational exposure to solvents can result in permanent brain and nervous system damage.

WARNING: This product contains detectable amounts of chemicals known to the State of California to cause cancer, or birth defects, or other reproductive harm.

Employers should obtain a copy of the **Safety Data Sheet (SDS)** from your supplier at the toll free number or website below.

Limited Material Warranty

We, the manufacturer, warrant only that this product is free of defects, since many factors which affect the results obtained from this product – such as weather, workmanship, equipment utilized, and prior condition of the substrate – are all beyond our control. We will replace at no charge any product proved to have a material defect within 12-months of purchase, provided it has been applied in accordance with our written directions for uses we recommend as suitable for this product. Proof of purchase must be provided. **DISCLAIMER OF WARRANTIES AND LIMITATION OF LIABILITY: THIS LIMITED WARRANTY IS IN LIEU OF ANY OTHER WARRANTIES EXPRESS OR IMPLIED INCLUDING BUT NOT LIMITED TO ANY IMPLIED WARRANTY OF MERCHANTABILITY OR FITNESS FOR A PARTICULAR PURPOSE. MANUFACTURER SHALL HAVE NO LIABILITY OF ANY KIND BEYOND PRODUCT REPLACEMENT, INCLUDING FOR CONSEQUENTIAL OR INCIDENTAL DAMAGES RESULTING FROM ANY DEFECTS OR ANY DELAYS CAUSED BY REPLACEMENT OR OTHERWISE. IF PURCHASER DOES NOT ACCEPT THESE TERMS OF THE LIMITED WARRANTY, PURCHASER MAY RETURN ALL CONTAINERS OR PACKAGES OF PRODUCT PURCHASED FOR A FULL REFUND (PROVIDED THE CONTAINERS OR PACKAGING IS UNOPENED AND LESS SHIPPING CHARGES IF ANY) WITHIN 30-DAYS OF PURCHASE. RETENTION OF PRODUCT BEYOND 30-DAYS FROM PURCHASE, OR USE OF PRODUCT SHALL CONSTITUTE ACCEPTANCE OF THE LIMITED WARRANTY TERMS, CONDITIONS, AND DISCLAIMERS. THIS LIMITED WARRANTY PROVIDES THE PURCHASER'S EXCLUSIVE REMEDY FOR ANY DEFECT IN THE PRODUCT.** For further details of Henry's product warranty, see our website at www.henry.com/warranty.

STATEMENT OF RESPONSIBILITY

The technical and application information herein is based on the present state of our best scientific and practical knowledge. As the information herein is of a general nature, no assumption can be made as to a product's suitability for a particular use or application and no warranty as to its accuracy, reliability, or completeness either expressed or implied is given. The user is responsible for checking the suitability of products for their intended use. Henry Company data sheets are updated on a regular basis; it is the user's responsibility to obtain and to confirm the most recent version. Information contained in this data sheet may change without notice.



#1 CHOICE OF PROFESSIONALS®

Blueskin® WP200

Self-Adhered Waterproofing Membrane

Physical Properties

-Color	Blue	-Flexibility at -15°F	Pass
-Thickness	60 mils (1.5 mm)	(ASTM D1970)	
-Application Temp	14°F (-10°C) and above	-Water Vapor	0.02 perms (1.14 ng/Pa.s.m ²)
-Elongation	300% (To ultimate failure of	Transmission	
(ASTM D412)	rubberized asphalt)	(ASTM E96)	
-Tensile Strength	325 psi (2.24 Mpa)	-Lap Peel Strength @ 40°F	3.3 lbf/in (580 N/m)
(Membrane)		(ASTM D1876)	
ASTM D412 – modified		-Hydrostatic Head	231 feet (70 m of water)
-Peel Strength	9 lbs/in (1576 N/m)	(ASTM D5385)	
(ASTM D903)		-Moisture Absorption	0.1% maximum
-Minimum Puncture	50 lbs (222 N/m) minimum.	(ASTM D570-81)	
Resistance – Membrane			
(ASTM E154)			

Packaging

-Thickness	60 mils (1.5 mm)	-Gross Coverage	
-Roll Length	66.7 ft.	36"	200 ft ²
-Roll Width	36"	-Net Coverage*	
-Top Surface	Blue, cross-laminated	36"	186 ft ²
	polyethylene (HDPE)		
-Bottom Surface	Siliconized Release Film		

*Based on 65 mm laps both sides and end laps.

Description

Blueskin® WP200 is a self-adhering waterproofing membrane consisting of SBS rubberized asphalt compound, which is integrally laminated to a blue, tough, high-density cross-laminated polyethylene film. The membrane is specifically designed to be self-adhered to a prepared substrate providing a high-performance waterproofing barrier even under hydrostatic head pressures to 231feet.

Features

- 60 mil thick, SBS modified membrane
- Excellent cold weather application properties
- No VOC's and low odor
- CCMC listed
- Unique side-lap feature offers superior water-tightness
- Factory controlled thickness
- Fully adhered systems prevents lateral water movement
- Resists up to 231 feet of positive-side head pressure

Limitations

Non-resistant to oils and solvents. Not designed for use in direct contact with potable water or permanent exposure and must be covered to prevent damage from sunlight. Good practice calls for the membrane to be covered immediately following application. Refer to minimum cure time requirements of sealant and mastics prior to applying polystyrene insulation. Do not use in contact with flexible PVC/vinyl products. Use only **Henry 925 BES Sealant** for terminations and penetration sealant to assure sealant compatibility. Using solvent-based primers in below-grade applications is not recommended to avoid possible hazardous fume accumulations.

Storage

Store in original cartons, on pallets or elevated platform. Protect from weather or store in an enclosed area below 120°F. Double stacked pallets are not recommended. If double stacking is necessary, use a plywood sheet to distribute the load.

Blueskin® WP 200 Self-Adhesive Waterproofing Membrane

Uses

Blueskin® WP200 is designed for use as a self-adhered sheet waterproofing membrane in above or below grade applications. Principal application is on concrete foundation walls, plaza decks, tunnels, and parking decks in both vertical and horizontal orientations. **Blueskin® WP200** is an ideal membrane for use in interior applications such as mechanical rooms, laboratories and wet-rooms. Combined with **Aquatac** water based primer, offers excellent performance in ICF applications.

Surface Preparation

Acceptable substrates are cast-in-place concrete, precast concrete, wood, concrete block, and polystyrene insulation form foundations. Parging of concrete blocks is not required. All surfaces to receive **Blueskin® WP200** must be clean of oil, dust and excess mortar. Concrete surfaces must be smooth and without large voids, spalled areas or sharp protrusions. Concrete must be allowed to cure a minimum of 7 days and must be dry and free from frost before **Blueskin® WP200** is applied. Structural lightweight concrete must be cured 14 days. Where curing compounds are used, they must be clear resin based, without oil, wax or pigments. Prime substrate using **Aquatac™** applied by spray or roller at a rate of 300ft²/3.78L and allow to dry thoroughly before applying **Blueskin® WP200**. Primed surfaces not covered by membrane during the same working day must be reprimed.

Application

Refer to **Blueskin® WP200** Guide Specification for detailed application information.

Joint and Crack Treatment: All cracks in concrete 1/16" to 1/8" wide are to be pre-treated with a flush application of **Henry 925 BES Sealant** filling crack. Alternately, apply a 6" wide strip of **Blueskin® WP200** centered over crack. Provide 3" end laps. Horizontal to vertical inside corner transition areas are to be pre-treated with an **Henry 925 BES Sealant** fillet extending 3/4" vertically and horizontally from the corner. Apply a minimum 9" strip of **Blueskin® WP200** membrane centered at the joint. All outside corners are to be pre-treated with a minimum of 9" strip of **Blueskin® WP200** membrane centered at the joint. Drains: At drains, apply waterproofing membrane collar centered on drain and extend 6" beyond flange onto deck. Apply field membrane in full width centered over drain. Apply clamping ring in a 60-mil bed of **925 BES Sealant**. Projections: Extend **Blueskin® WP200** membrane tight to projection and seal with **925 BES Sealant** extending 2" along projection and 2" onto **Blueskin® WP200** membrane.

Vertical Applications: Apply **Blueskin® WP200** waterproofing membrane to prepared substrate in lengths of 8' or less. Provide 2 1/2" laps at both sides and ends. Position for alignment and remove protective film. Press firmly into place. Promptly roll all laps with a counter top roller to effect seal. If more than one length is required on a vertical surface, apply a shingle fashion. Terminate membrane using **925 BES Sealant**, termination bar, reglet or counter flashing as indicated. Refer to manufacturers standard details. All laps within 12" of 90° change in plane are to be sealed with **925 BES Sealant**.

Horizontal Applications: Apply **Blueskin® WP200** waterproofing membrane to prepared substrate beginning at the low point of the surface and working to the high point in a shingle fashion. Provide 2 1/2" side and end laps. Roll membrane immediately over entire surface to ensure best seal. At all terminations and T-joints, seal laps using **925 BES Sealant**. All laps within 12" of a 90° change in plane are to be sealed with **925 BES Sealant**.

For optimal adhesion on applications below 40°F, **Blueskin® WP200** waterproofing membrane should be applied within one hour of the primer application.

Protection of Membrane

Protection board and/or **Henry DB Drain Boards** are recommended over all below-grade **Blueskin® WP200** applications.

Limited Warranty

LIMITED PRODUCT WARRANTY AND LIABILITY DISCLAIMER: Many factors affect the results obtained from this product – such as weather, workmanship, equipment utilized, and prior condition of the substrate – and these are all beyond our control. We, the manufacturer, warrant only that we will replace, at no charge, any product proved to have a material defect in original manufacturing within 12 months of purchase, provided the product has been applied in accordance with our written directions for uses we recommend as suitable for this product. Proof of purchase must be provided. **DISCLAIMER OF CONDITIONS/WARRANTIES AND LIMITATION OF LIABILITY:** THIS LIMITED WARRANTY IS IN LIEU OF ANY OTHER CONDITIONS OR WARRANTIES, EXPRESS OR IMPLIED, INCLUDING BUT NOT LIMITED TO ANY IMPLIED CONDITION OR WARRANTY OF MERCHANTABILITY OR FITNESS FOR A PARTICULAR PURPOSE. NO ONE, INCLUDING THE MANUFACTURER, SHALL HAVE ANY LIABILITY OF ANY KIND, INCLUDING FOR NEGLIGENCE OR FOR DIRECT, CONSEQUENTIAL, OR INCIDENTAL DAMAGES, RESULTING FROM ANY MISUSE, DEFECTS, ANY DELAYS CAUSED BY REPLACEMENT, OR OTHERWISE BEYOND PRODUCT REPLACEMENT. IF PURCHASER DOES NOT ACCEPT THESE TERMS, PURCHASER MAY RETURN ALL CONTAINERS OR PACKAGES OF PRODUCT PURCHASED FOR A FULL REFUND WITHIN 30-DAYS OF PURCHASE. RETENTION OF PRODUCT BEYOND 30-DAYS, OR USE OF PRODUCT SHALL CONSTITUTE ACCEPTANCE OF THESE TERMS, CONDITIONS, AND DISCLAIMERS. THIS LIMITED WARRANTY AND LIABILITY DISCLAIMER PROVIDES THE PURCHASER'S EXCLUSIVE REMEDY, FROM ANYONE, FOR ANYTHING RELATING TO THE PRODUCT. To the extent that any part of this LIMITED PRODUCT WARRANTY AND LIABILITY DISCLAIMER is determined unenforceable under the law of the place of purchase of the product, that part is severed and the remainder of these terms remain in full force and effect. To the extent permitted by law, the duration of any implied conditions or warranties is limited to the duration of Henry's express warranty.

Statement of Responsibility

The technical and application information herein is based on the present state of our best scientific and practical knowledge. As the information herein is of a general nature, no assumption can be made as to a product's suitability for a particular use or application and no warranty as to its accuracy, reliability or completeness either expressed or implied is given other than those required by law. The user is responsible for checking the suitability of products for their intended use. Henry Company data sheets are updated on a regular basis; it is the user's responsibility to obtain and to confirm the most recent version. Information contained in this data sheet may change without notice.



Henry® 925 BES Sealant

Building Envelope Systems® Sealant

Physical Property	Typical Value	Test Method
Color	Black, Gray, White	-
Application Temperature (see Limitations)	10 °F to 110 °F (0 °C to 43 °C)	-
Service Temperature, cured	-40 °F to 180 °F (-40 °C to 82 °C)	-
Durometer Hardness	25 ±5 Shore A	ASTM D2240
Density	13 lbs/gal	-
Elongation, max	450-550%	ASTM D412
Dry Time	Initial Set: 60-90 min at 77 °F (25 °C) Set Through: 24 hours	-
Tensile Strength	150-200 psi	ASTM D412
Modulus	40-50% psi	-
VOC Content, max	5 g/L	EPA Method 24

Approvals and Certifications

- Meets ASTM C719 ± 35%
- Meets Fed Spec TT-S-00230C, Type II, Class A
- Meets ASTM C920 Type S, Grade NS, Class 35
- Granted SWR Institute Certificate of Validation

Description

Henry® 925 BES Sealant is a premium, moisture cure sealant for construction joints subject to dynamic joint movement. This one-part, low odor, moisture cure product provides excellent weathering resistance, flexibility, very low VOC, through use of a silyl-terminated polyether (STPE) polymer. Upon curing, it is paintable with latex based paints. This product is fully compatible with Henry® air barrier, flashing, roofing and waterproofing systems.

Usage

- Building envelope sealant for self-adhered air barriers
- External joint sealant for Henry® air barrier, waterproofing and roofing systems
- Alternative to silicone and moisture cure urethanes in above-grade construction applications
- Construction joints up to 1" (25 mm) width, subject to dynamic joint movement of ± 35%

Application

Surface Prep: Joints must be sound, smooth, uniform and free from defects and foreign materials. Joints must also be clean, dry, free of frost and all contaminants, such as curing compounds, sealers, or coatings. Sealant adhesion should be tested on each different substrate prior to use by applying a bead allowing to cure thoroughly. To test adhesive strength, pull one end of the bead.

Apply: Cut nozzle to desired bead size; puncture inner seal. Apply at a 45° angle while pushing sealant ahead of nozzle. The width of the joint should be a minimum of 4 times the anticipated movement. In joints up to ½" (13 mm) wide, the depth of the sealant should be equal to the width, but not less than ¼" (6 mm). In joints wider than ½" (13 mm), the depth should be maintained at ½" (13 mm). Maximum joint width for installation is 1" (25 mm). In vertical and horizontal joints, tooling is necessary to aid contact with the substrate and eliminate air bubbles.

Limitations: **Henry 925 BES Sealant** may be installed when substrate and air temperatures are as low as 10 °F. Application in temperatures between 10°F and 32°F may proceed only if the substrate is free of frost or ice. The product should not be applied in the rain or on wet surfaces; damp surfaces are acceptable.

If frost or ice is present on the substrate, it must be warmed to a temperature above 32 °F using hot air gun, heater, etc. to melt the frozen moisture. When installed in temperatures below 32 °F, an extended curing time is expected.

Prior to cold weather installation, **Henry 925 BES Sealant** should be stored at room temperatures above 35 °F for a minimum of 24 hours, to improve application and tooling.

925 BES Sealant Building Envelope System Sealant

Clean-up

Clean hands and equipment with biodegradable terpene solvent such as citrus-based hand cleaner.

Packaging

10.3 oz cartridge
20 oz sausage
2 gallon bucket

Storage

Henry 925 BES Sealant has a shelf life of 12 months from date of manufacture when stored in original unopened container at or below 80 °F (27 °C). Containers should always be kept sealed when not in use.

For more information, visit www.henry.com or for technical assistance call us at 800-486-1278. For more information on Henry's® product warranty and liability disclaimer please visit www.henry.com/warranty. Refer to the Safety Data Sheet prior to using this product. The Safety Data Sheet is available at www.henry.com or by emailing Henry® Product Support at productsupport@henry.com or by calling 800-486-1278.

® Henry and Building Envelope Systems are registered trademarks of Henry Company

The technical and application information herein is based on the present state of our best scientific and practical knowledge. As the information herein is of a general nature, no assumption can be made as to a product's suitability for a particular use or application and no warranty as to its accuracy, reliability or completeness either expressed or implied is given other than those required by law. The user is responsible for checking the suitability of products for their intended use. Henry® Company data sheets are updated on a regular basis; it is the user's responsibility to obtain and to confirm the most recent version. Information contained in this data sheet may change without notice.

POLYBITUME® 570-05 Polymer Modified Sealing Compound

Physical Properties:

-Color	Black	-Application Temp	Ambient (thickens at low temperatures)
-Solids by Volume	70% (approx.)	-Chemical Resistance	Resists water, calcium chloride, salt, mild acid and alkaline solutions. Non-resistant to oil, grease or solvents.
-Weight	10 lbs./gal.	-Water Vapor Permeance (ASTM E96)	2.9 ng/Pa.m ² .s (0.05 perms)
-Coverage	(@ 1/8" thick) 16 ft ² /gal		
-Drying Time	68°F @ 50% RH		
Touch Dry	4 hours (approx.)		
-Max VOC	250 g/l		

Description

POLYBITUME® 570-05 Polymer Modified Sealing Compound is a top quality, high solids, rubber asphalt caulking and sealing compound formulated to provide extra flexibility and good bond.

Features

- Exceeds performance standards of conventional asphalt caulking compounds
- Gun or trowel consistency
- Remains flexible on aging

Uses

Used as an end lap and flashing sealant with self-adhered membranes, such as **Blueskin® WP 200, modifiedPLUS® SA** and **Blueskin PE 200**. **POLYBITUME® 570-05** is also used as a caulking, sealing or bedding compound on most construction surfaces including concrete, masonry, wood, metal, cement asbestos and other composition materials.

- ✓ Control joints in concrete.
- ✓ Filling plastic boxes or pitch pockets.
- ✓ Lap sealing metal panels.
- ✓ Bedding for roofing components.
- ✓ Dam and hydraulic installations.
- ✓ Harbor facilities.

Packaging

POLYBITUME® 570-05 is packaged in 29 oz. cartridge as well as 22 lb. pail.

Limitations

Do not use where solvent odors may taint food or other susceptible materials. Do not apply to wet surfaces. For ease of application during cold weather, condition material in warm temperature before using. Do not use in floor or sidewalk areas exposed to traffic. Do not apply to joints of greater than 1" width on vertical surfaces in a single application. Wood or other absorptive surfaces may be subject to local staining by solvent vehicle.

POLYBITUME® 570-05 Polymer Modified Sealing Compound

Preparation

Metal: Metal surfaces must be blast-cleaned, hand-cleaned or power-brushed to a clean, tight surface and should be dry, free from rust, grease or mill-scale. Surfaces should be below 104°F at the time of application.

Concrete-Masonry: Surfaces must be dry and sound, free from frost, grease, form oil, loose, spalled or fractured material. Porous or dusty surfaces should be primed with a brush application of **Henry 910-01 Primer** and allowed to cure for 4 hours.

Application

Apply by knife, tool or gun, hand or power operated. Tool finish joint to avoid air pockets and improve bond at interface surfaces.

Coverage

When used as a bedding compound @ 1/8" thickness, approximately 16 ft²/gal.

When used as a joint sealant:

1/4" x 1/4"
(370 linear ft./gal.)

1/2" x 1/2"
(92 linear ft./gal.)

1" x 1"
(23 linear ft./gal.)

Clean Up

Use mineral spirits.

Caution

CAUTION! COMBUSTIBLE! DO NOT THIN. Contains petroleum distillate. Keep away from heat and flame. Do not heat container or store at temperatures greater than 120°F. CLOSE AIR INTAKES until solvents dissipate. Contains volatile solvents that might contaminate potable water. Close container after each use. DANGER! HARMFUL OR FATAL IF SWALLOWED. If swallowed, do not induce vomiting. CALL PHYSICIAN IMMEDIATELY! Use protective measures to avoid contact with eyes and skin. In case of eye contact, open eyelids wide and flush immediately with plenty of water for at least 15 minutes. GET MEDICAL ATTENTION! USE ONLY WITH ADEQUATE VENTILATION. Avoid breathing of vapor. If you experience eye watering, headaches or dizziness, leave area or increase fresh air or wear respirator (NIOSH/MSHA TC 23C or equal). Repeated and prolonged occupational exposure to solvent vapor can result in permanent brain and nervous system damage, and may cause liver or kidney damage.

KEEP OUT OF REACH OF CHILDREN!

WARNING! This product contains detectable amounts of chemicals known to the State of California to cause cancer, or birth defects or other reproductive harm.

Employers should obtain a copy of the **MSDS (Material Safety Data Sheet)** from your supplier or from the toll free number or website below.



TECHNICAL DATA SHEET
Henry Drain Board
 Prefabricated Drainage Composite

Description

	<u>Henry DB 200 & DB 220</u>	<u>Henry DB 200S</u>	<u>Henry DB 350HN</u>	<u>Henry DB 500 &DB 520</u>	<u>Henry DB 650HN</u>	<u>Henry DB 650N</u>
<u>Fabric Properties</u>						
-Grab Tensile Strength	100 lbs	100 lbs	205 lbs	100 lbs	205 lbs	100 lbs
-CBR Puncture	275 lbs	275 lbs	600 lbs	275 lbs	600 lbs	275 lbs
-Grab Elongation	65%	65%	70 %	65%	70%	65%
-AOS	70 sieve	70 sieve	80 sieve	70 sieve	80 sieve	70 sieve
-Flow Rate	165 gpm/ft ²	165 gpm/ft ²	100 gpm/ft ²	165 gpm/ft ²	100 gpm/ft ²	165 gpm/ft ²
<u>Core Properties</u>						
-Material	Polystyrene	Polystyrene	Polystyrene	Polystyrene	Polystyrene	Polystyrene
-Thickness	0.25 inch	0.25 inch	0.25 inch	0.44 inch	0.44 inch	0.44 inch
-Compressive Strength	11,000 lbs/ft ²	30,000 lbs/ft ²	30,000 lbs/ft ²	15,000 lbs/ft ²	18,000 lbs/ft ²	18,000 lbs/ft ²
<u>Product Properties</u>						
-Flow Rate	12.5 gpm/ft*	13 gpm/ft*	13 gpm/ft*	17 gpm/ft*	21 gpm/ft*	21 gpm/ft*
-Recycled Content	71%	79%	>65	74%	>65	78%
-Roll Length	50 ft	50 ft	50 ft	50 ft	50 ft	50 ft
-Roll Width	4 ft	4 ft	4 ft	4 ft	4 ft	4 ft
-Roll Weight	29lbs	45lbs	49lbs	39lbs	53lbs	47lbs

*The Flow Rate published is for a hydraulic gradient of 1.0, which is typical for a vertical orientation. For the anticipated Flow Rate for horizontal applications, typically a hydraulic gradient of 0.1, contact Henry Technical Support.

Description

Henry Drain Board (DB) products consist of multiple components designed to enhance the performance of Henry protected membrane roofing and waterproofing systems. **Henry Drain Board** consists of a polystyrene or PVC core combined with a polypropylene fabric. Polymeric films attached to the **Henry Drain Board** provide additional protection for softer waterproofing systems.

Features

- Integral part of a high performance Henry protected membrane roofing or waterproofing system
- Low installed cost compared to other drainage systems such as aggregates
- Easy to handle and install
- Strong and durable with very high compressive strength and tear resistance
- Chemically resistant
- High flow capacity

Preparation

Ensure that the primary waterproofing system has been installed and inspected prior to covering with **Henry DB**. Flood tests may also need to be complete prior to the application of the **Henry DB**. When used as a protection board, ensure that work progresses from sheet to sheet to avoid damage to the waterproofing membrane.

Henry Drain Board is used as a component of a Henry high performance protected membrane roofing assembly or waterproofing assembly in both horizontal and vertical applications. The **Henry Drain Board** enhances the performance of the watertight layer by directing water quickly and safely to a drain and drain system. Used in protected membrane roofing applications, retaining walls, plaza deck waterproofing, parking structures, roof gardens and planters, foundation walls and other areas where a high performance system is desired.

Henry DB 200 – Designed for vertical and horizontal installations at shallower depths where moderate compressive strength is adequate.

Henry DB 220 – Designed for vertical and horizontal installations at shallower depths where moderate compressive strength is adequate. Polymeric films attached to membrane (back) side provide additional protection for softer waterproofing systems.

Henry DB 200S – Designed for vertical and horizontal installations requiring a high compressive strength and moderate flow capacity.

Henry DB 350HN – Designed for horizontal applications requiring high compressive strength, moderate flow capacity, and the strength and filtration properties of a non-woven geotextile. Suitable for use under topping slab in split slab applications.

Henry DB 500 – Designed primarily for vertical installations requiring high compressive strength and where high flow capacity is needed. Use is suitable for selected horizontal applications.

Henry DB 520 – Designed primarily for vertical installations requiring high compressive strength and where high flow capacity is needed. Use is suitable for selected horizontal applications. Polymeric film attached to membrane (back) side provides additional protection for softer waterproofing systems.

Henry DB 650HN – Designed primarily for horizontal applications requiring high flow capacity, high compressive strength and the strength and filtration properties of a non-woven geotextile. Suitable for use under topping slab in split slab applications.

Henry DB 650N – Designed for horizontal applications requiring high flow capacity, high compressive strength and the strength and filtration properties of a non-woven geotextile.

Application

Attach Henry Drain Board to vertical surfaces using Henry cold applied adhesives, Blueskin® PreSeal™ Tape 50S, and nails driven through washers, or other approved method.

Vertical Application: Start at the top or bottom of the wall. Rolls may be applied horizontally or vertically. When installed horizontally, the edge of the core with the flange should be at the top. When installed vertically, the flange should be at the upstream edge. This flange position minimizes the seepage of water behind the drain similar to the way roof shingles work.

Horizontal Application: The edge of the core with the flange should be at the higher edges of the substrate, away from the drains.

Overlaps: Pull back loose fabric to expose drain core. Position core of second panel over the overlap flange of first panel. Overlap in direction of water flow. Tuck fabric behind core at all outside edges.

Corners: Bend drain to make inside corners. For outside corners, cut **Henry DB** to reach corner and provide 3" or extra fabric to wrap around corner. Attach drain to wall and overlap fabric at joint.

Backfilling: Soil should be placed and compacted directly against the drain.

Limited Warranty

Contact Warranty Department at www.henry.com/warranty or location shown below for product or systems warranty information.

Statement of Responsibility

The technical and application information herein is based on the present state of our best scientific and practical knowledge. As the information herein is of a general nature, no assumption can be made as to a product's suitability for a particular use or application and no warranty as to its accuracy, reliability or completeness either expressed or implied is given other than those required by law. The user is responsible for checking the suitability of products for their intended use. Henry Company data sheets are updated on a regular basis; it is the user's responsibility to obtain and to confirm the most recent version. Information contained in this data sheet may change without notice.

For more information, visit www.henry.com or for technical assistance call us at 800-486-1278. For more information on Henry's® product warranty and liability disclaimer please visit www.henry.com/warranty. Refer to the Safety Data Sheet prior to using this product. The Safety Data Sheet is available at www.henry.com or by emailing Henry® Product Support at productsupport@henry.com or by calling 800-486-1278.

Henry is a registered trademark of Henry Company.
Covered by US patent 6,901,712; Canadian patent 2,413,550.

The technical and application information herein is based on the present state of our best scientific and practical knowledge. As the information herein is of a general nature, no assumption can be made as to a product's suitability for a particular use or application and no warranty as to its accuracy, reliability or completeness either expressed or implied is given other than those required by law. The user is responsible for checking the suitability of products for their intended use. Henry® Company data sheets are updated on a regular basis; it is the user's responsibility to obtain and to confirm the most recent version. Information contained in this data sheet may change without notice.



WATERPROOFING

MiraSTOP™ BW

MiraSTOP is now
MiraSTOP BW

Description

MiraSTOP BW is a **Bentonite Waterstop** that swells when in contact with water. This high quality, self-adhering, flexible, coiled waterstop strip is comprised of butyl rubber polymers and expandable bentonite clay waterproofing joint compound.

MiraSTOP BW is designed for use in non-moving joints to create watertight concrete joints. MiraSTOP BW is ideal for many types of cast-in-place and precast below-grade concrete applications, such as: construction joints in foundation slabs and below-grade walls, precast concrete wall panel systems, septic tanks, sanitary and storm sewer manholes, pipes, utility and burial vaults, wet walls, box culverts and portable water tanks.

MiraSTOP BW prevents infiltration of below-grade moisture in non-moving joints. When water comes in contact with MiraSTOP BW it swells to form a strong compression seal.

MiraSTOP BW is ideal for a variety of applications:

- Vertical and horizontal concrete 8" (200 mm) thick or greater
- Shotcrete foundation walls
- High hydrostatic pressures
- Tie-back plates and penetrations

Features and Benefits

- Can be used in conjunction with CCW Waterproofing Systems and Henry® Waterproofing Systems.
- Easy to install
- Applies in all dry weather conditions – flexible enough for virtually all season applications
- Non-toxic – needs no special handling
- Self-adhering



Installation

Remove dust, dirt, loose particles or any other materials that might cause areas of poor adhesion of the MiraSTOP BW. Best practice is to position the waterstop inboard of the steel reinforcement along the exterior face of the wall.

For smooth substrates, apply CCW-702, CCW-702WB, CCW-AWP, CCW CAV-GRIP® or TRAVEL-TACK™ 2" wide continuously along the joint. Allow the primer to dry to the touch (typically 30 minutes) prior to application of MiraSTOP BW.

For rough substrates, apply a minimum 3/8" bead of MiraSTOP SS centered where the MiraSTOP BW will be installed. Apply the MiraSTOP BW within 30 minutes of the MiraSTOP SS.

Remove one side of the release paper and firmly press MiraSTOP BW into the prepared substrate. Press any butt ends or splices together to ensure no separation or air pockets. Remove the remaining release paper and mechanically fasten the MiraSTOP BW as necessary. Position fasteners 1" from any ends or splices, and 10" on-center, or as-needed.

WATERPROOFING

MiraSTOP BW

Packaging

MiraSTOP BW = 1" x ¾" x 16'-8" coil, 6 rolls per box, 53 lbs.

Availability

Available through local CCW and Henry Representatives or Distribution. Visit www.carlisleccw.com or www.henry.com to contact us, or select "Find a Rep or Distributor."

Limitations

- Do not allow premature hydration of MiraSTOP BW.
- MiraSTOP BW must have a minimum of 3" of concrete cover.

Warnings and Hazards

- Review Safety Data Sheets before handling; available online at www.carlisleccw.com or www.henry.com.
- Wear proper protective gloves, clothing, and eye/face protection.

Storage

Always store MiraSTOP BW in a protected and dry location in original, unopened containers. Do not store in direct sunlight. When stored at temperatures of 40-86°F (4-30°C) in the original, unopened containers, shelf life is 12 months.

Disposal

MiraSTOP BW must be handled and disposed in accordance with local, state, and federal regulations.

Physical Properties

Property	Method	Typical Value
Specific gravity	ASTM D71	1.60
Hardness	ASTM D127	75 dmm
Solids Content	ASTM C681	100%
Unrestricted	-	300%
Shelf Life	-	2 years minimum
Storage Temperature	-	-10°F to 90°F
Application Temperature	-	-10°F to 120°F
Service Temperature	-	-50°F to 190°F

All flow rates were tested at 3600 psf.

Drainage Performance Index is a function of ASTM D4833, D4632 and D1621.

¹ In plane flow rate @ gradient of 1.0

² Installed flow rate with soil overburden at vertical gradient of 1.0.

Limited Warranty

Carlisle Coatings & Waterproofing Incorporated (Carlisle) warrants this product to be free of defects in workmanship and materials only at the time of shipment from our factory. If any Carlisle materials prove to contain manufacturing defects that substantially affect their performance, Carlisle will, at its option, replace the materials or refund its purchase price. This limited warranty is the only warranty extended by Carlisle with respect to its materials. There are no other warranties, including the implied warranties of merchantability and fitness for a particular purpose. Carlisle specifically disclaims liability for any incidental, consequential, or other damages, including but not limited to, loss of profits or damages to a structure or its contents, arising under any theory of law whatsoever. The dollar value of Carlisle's liability and buyer's remedy under this limited warranty shall not exceed the purchase price of the Carlisle material in question.



SAFETY DATA SHEET

Issue Date 26-Jan-2016

Revision Date 26-Jan-2016

Version 1

1. IDENTIFICATION

Product identifier

Product Name BLUESKIN WP SELF ADHERED

Other means of identification

Product Code HEWP200

Synonyms None

Recommended use of the chemical and restrictions on use

Recommended Use Waterproofing Sealers

Uses advised against No information available

Details of the supplier of the safety data sheet

Manufacturer Address

HENRY COMPANY

999 N. Sepulveda Blvd., Suite 800

El Segundo, CA 90245-2716

Web Site: www.henry.com www.ca.henry.com

Emergency telephone number

Company Phone Number 800-486-1278

Emergency Telephone CHEMTREC: 800-424-9300

CHEMTREC: 703-527-3887

CANUTEC: 613-966-6666

2. HAZARDS IDENTIFICATION

Classification

OSHA Regulatory Status

This article doesn't contain hazardous substances or mixtures intended to be released under normal or reasonably foreseeable conditions of use This chemical is not considered hazardous by the 2012 OSHA Hazard Communication Standard (29 CFR 1910.1200)

Label elements

Not classified

Emergency Overview

Hazard statements

None

Appearance Solid sheet

Physical state Solid

Odor Slight

Precautionary Statements - Prevention

Not applicable

Precautionary Statements - Response

Not applicable

Hazards not otherwise classified (HNOC)

Not applicable

Other Information

Not applicable.

Unknown acute toxicity

35.64268897% of the mixture consists of ingredient(s) of unknown toxicity

3. COMPOSITION/INFORMATION ON INGREDIENTS

Substance

Not applicable

Mixture

This article doesn't contain hazardous substances or mixtures intended to be released under normal or reasonably foreseeable conditions of use.

Chemical Name	CAS No	Weight-%
Asphalt *	8052-42-4	60 - 100
Polymer Blend *	Proprietary	7 - 13
Distillates, petroleum, hydrotreated heavy naphthenic *	64742-52-5	5 - 10
Rubber Compounds *	Proprietary	3 - 7

*The exact percentage (concentration) of composition has been withheld as a trade secret.

Product containing mineral oil with less than 3% DMSO extract as measured by IP 346

4. FIRST AID MEASURES

Description of first aid measures

General advice	In case of accident or unwellness, seek medical advice immediately (show directions for use or safety data sheet if possible). If symptoms persist, call a physician.
Eye contact	Keep eye wide open while rinsing. Immediately flush with plenty of water. After initial flushing, remove any contact lenses and continue flushing for at least 15 minutes. If symptoms persist, call a physician.
Skin contact	Wash off immediately with soap and plenty of water while removing all contaminated clothes and shoes. If symptoms persist, call a physician. Wash contaminated clothing before reuse.
Inhalation	Remove to fresh air. If breathing is irregular or stopped, administer artificial respiration. Avoid direct contact with skin. Use barrier to give mouth-to-mouth resuscitation. If symptoms persist, call a physician.
Ingestion	Call a physician or poison control center immediately. Do not induce vomiting without medical advice. Rinse mouth. Never give anything by mouth to an unconscious person.
Self-protection of the first aider	Use personal protective equipment as required.

Most important symptoms and effects, both acute and delayed

Symptoms None known.

Indication of any immediate medical attention and special treatment needed

Note to physicians Treat symptomatically.

5. FIRE-FIGHTING MEASURES

Suitable extinguishing media

Use extinguishing measures that are appropriate to local circumstances and the surrounding environment. Dry chemical, CO₂, sand, earth, water spray or regular foam.

Unsuitable extinguishing media Do not use a solid water stream as it may scatter and spread fire.

Specific hazards arising from the chemical

Thermal decomposition can lead to release of irritating and toxic gases and vapors.

Explosion data

Sensitivity to Mechanical Impact None.

Sensitivity to Static Discharge None.

Protective equipment and precautions for firefighters

As in any fire, wear self-contained breathing apparatus pressure-demand, MSHA/NIOSH (approved or equivalent) and full protective gear.

6. ACCIDENTAL RELEASE MEASURES

Personal precautions, protective equipment and emergency procedures

Personal precautions Use personal protective equipment as required.

Environmental precautions

Environmental precautions Collect spillage. Dispose of contents/container to an approved waste disposal plant.

Methods and material for containment and cleaning up

Methods for containment No information available.

Methods for cleaning up Pick up and transfer to properly labeled containers.

7. HANDLING AND STORAGE

Precautions for safe handling

Advice on safe handling Handle in accordance with good industrial hygiene and safety practice. Use personal protective equipment as required.

Conditions for safe storage, including any incompatibilities

Storage Conditions Keep container tightly closed in a dry and well-ventilated place.

Incompatible materials Strong oxidizing agents. Strong acids. Strong bases.

8. EXPOSURE CONTROLS/PERSONAL PROTECTION

Control parameters

Exposure Guidelines This article doesn't contain hazardous substances or mixtures intended to be released under normal or reasonably foreseeable conditions of use.

Chemical Name	ACGIH TLV	OSHA PEL	NIOSH IDLH
Asphalt 8052-42-4	TWA: 0.5 mg/m ³ benzene soluble aerosol fume, inhalable fraction	-	Ceiling: 5 mg/m ³ fume 15 min

NIOSH IDLH Immediately Dangerous to Life or Health

Appropriate engineering controls

Engineering Controls Showers
Eyewash stations

Ventilation systems.

Individual protection measures, such as personal protective equipment

Eye/face protection	Wear safety glasses with side shields (or goggles).
Skin and body protection	Wear protective gloves and protective clothing.
Respiratory protection	If exposure limits are exceeded or irritation is experienced, NIOSH/MSHA approved respiratory protection should be worn. Positive-pressure supplied air respirators may be required for high airborne contaminant concentrations. Respiratory protection must be provided in accordance with current local regulations.

General Hygiene Considerations Handle in accordance with good industrial hygiene and safety practice.

9. PHYSICAL AND CHEMICAL PROPERTIES

Information on basic physical and chemical properties

Physical state	Solid	Odor	Slight
Appearance	Solid sheet	Odor threshold	No information available
Color	Multiple Colors		
<u>Property</u>	<u>Values</u>	<u>Remarks • Method</u>	
pH	Not applicable		
Melting point / freezing point	No information available		
Boiling point / boiling range	No information available		
Flash point	No information available		
Evaporation rate	No information available	Not applicable	
Flammability (solid, gas)	No information available		
Flammability Limit in Air			
Upper flammability limit:	No information available		
Lower flammability limit:	No information available		
Vapor pressure	0		
Vapor density	No information available		
Relative density	>1		
Water solubility	Insoluble in water		
Solubility in other solvents	No information available		
Partition coefficient	No information available		
Autoignition temperature	>260 °C / >500 °F		
Decomposition temperature	No information available		
Kinematic viscosity	No information available	Not applicable	
Dynamic viscosity	No information available	Not applicable	
Explosive properties	Not an explosive		
Oxidizing properties	Not applicable		

Other Information

Softening point	No information available
Molecular weight	No information available
VOC Content (%)	No information available
Density	No information available
Bulk density	No information available

10. STABILITY AND REACTIVITY

Reactivity

No data available

Chemical stability

Stable under recommended storage conditions.

Possibility of Hazardous Reactions

None under normal processing.

Conditions to avoid

Storage near to reactive materials. elevated temperature.

Incompatible materials

Strong oxidizing agents. Strong acids. Strong bases.

Hazardous Decomposition Products

Thermal decomposition can lead to release of irritating and toxic gases and vapors.

11. TOXICOLOGICAL INFORMATION

Information on likely routes of exposure**Product Information**

Inhalation	None known.
Eye contact	None known.
Skin contact	None known.
Ingestion	No data available.

Chemical Name	Oral LD50	Dermal LD50	Inhalation LC50
Asphalt 8052-42-4	> 5000 mg/kg (Rat)	> 2000 mg/kg (Rabbit)	-

Information on toxicological effects

Symptoms No information available.

Delayed and immediate effects as well as chronic effects from short and long-term exposure

Sensitization No information available.
Germ cell mutagenicity No information available.
Carcinogenicity The classification as a carcinogen need not apply if it can be shown that the substance contains less than 3 % DMSO extract as measured by IP 346. This note applies only to certain complex oil derived substances in Annex I. The table below indicates whether each agency has listed any ingredient as a carcinogen.

Chemical Name	ACGIH	IARC	NTP	OSHA
Asphalt 8052-42-4	-	Group 2B	-	X
Polymer Blend	-	Group 3	-	-
Distillates, petroleum, hydrotreated heavy naphthenic 64742-52-5	A2	Group 1	-	X

ACGIH (American Conference of Governmental Industrial Hygienists)

A2 - Suspected Human Carcinogen

IARC (International Agency for Research on Cancer)

Group 2B - Possibly Carcinogenic to Humans

Not classifiable as a human carcinogen

Group 1 - Carcinogenic to Humans

OSHA (Occupational Safety and Health Administration of the US Department of Labor)

X - Present

Reproductive toxicity No information available.
STOT - single exposure No information available.
STOT - repeated exposure No information available.
Target Organ Effects Eyes, Respiratory system, Skin.
Aspiration hazard No information available.

Numerical measures of toxicity - Product Information

The following values are calculated based on chapter 3.1 of the GHS document .

ATEmix (oral)	5,012.00
ATEmix (dermal)	2,005.00
ATEmix (inhalation-dust/mist)	42.18

12. ECOLOGICAL INFORMATION

Ecotoxicity

None known

100 % of the mixture consists of component(s) of unknown hazards to the aquatic environment

Persistence and degradability

No information available.

Bioaccumulation

Chemical Name	Partition coefficient
Asphalt 8052-42-4	6

Other adverse effects

No information available

13. DISPOSAL CONSIDERATIONS

Waste treatment methods

Disposal of wastes

Disposal should be in accordance with applicable regional, national and local laws and regulations.

Contaminated packaging

Do not reuse container.

14. TRANSPORT INFORMATION

DOT Not regulated

TDG Not regulated

IATA Not regulated

IMDG Not regulated

15. REGULATORY INFORMATION

International Inventories

TSCA	Complies
DSL/NDSL	Complies
EINECS/ELINCS	Complies
IECSC	Complies
KECL	Complies
PICCS	Complies
AICS	Complies

Legend:

TSCA - United States Toxic Substances Control Act Section 8(b) Inventory

DSL/NDSL - Canadian Domestic Substances List/Non-Domestic Substances List

EINECS/ELINCS - European Inventory of Existing Chemical Substances/European List of Notified Chemical Substances

ENCS - Japan Existing and New Chemical Substances

IECSC - China Inventory of Existing Chemical Substances
KECL - Korean Existing and Evaluated Chemical Substances
PICCS - Philippines Inventory of Chemicals and Chemical Substances
AICS - Australian Inventory of Chemical Substances

US Federal Regulations

SARA 313

Section 313 of Title III of the Superfund Amendments and Reauthorization Act of 1986 (SARA). This product does not contain any chemicals which are subject to the reporting requirements of the Act and Title 40 of the Code of Federal Regulations, Part 372

SARA 311/312 Hazard Categories

Acute health hazard	No
Chronic Health Hazard	No
Fire hazard	No
Sudden release of pressure hazard	No
Reactive Hazard	No

CWA (Clean Water Act)

This product does not contain any substances regulated as pollutants pursuant to the Clean Water Act (40 CFR 122.21 and 40 CFR 122.42)

CERCLA

This material, as supplied, does not contain any substances regulated as hazardous substances under the Comprehensive Environmental Response Compensation and Liability Act (CERCLA) (40 CFR 302) or the Superfund Amendments and Reauthorization Act (SARA) (40 CFR 355). There may be specific reporting requirements at the local, regional, or state level pertaining to releases of this material

US State Regulations

California Proposition 65

This product does not contain any Proposition 65 chemicals

U.S. State Right-to-Know Regulations

Chemical Name	New Jersey	Massachusetts	Pennsylvania
Asphalt 8052-42-4	X	X	X

U.S. EPA Label Information

EPA Pesticide Registration Number Not applicable

16. OTHER INFORMATION, INCLUDING DATE OF PREPARATION OF THE LAST REVISION

<u>NFPA</u>	Health hazards 0	Flammability 1	Instability 0	Physical and Chemical Properties -
<u>HMIS</u>	Health hazards 0	Flammability 1	Physical hazards 0	Personal protection X

Issue Date 26-Jan-2016

Revision Date 26-Jan-2016

Revision Note

No information available

Disclaimer

The information provided in this Material Safety Data Sheet is correct to the best of our knowledge, information and belief at the date of its publication. The information given is designed only as a guidance for safe handling, use, processing, storage, transportation, disposal and release and is not to be considered a warranty or quality specification. The information relates only to the specific material designated and may not be valid for such material used in combination with any other materials or in any process, unless specified in the text.

End of Safety Data Sheet

CLASSIFICATION: 07 27 00.00

created via: HPDC Online Builder

PRODUCT DESCRIPTION: BLUESKIN WP 200 IS A SELF-ADHESIVE MEMBRANE WHICH CONSISTS OF AN SBS RUBBERIZED ASPHALT COMPOUND WHICH IS INTEGRALLY LAMINATED TO A BLUE, HIGH DENSITY CROSS-LAMINATED POLYETHYLENE FILM. BLUESKIN WP 200 IS SPECIFICALLY DESIGNED TO BE SELF-ADHERED TO A PREPARED SUBSTRATE PROVIDING A HIGH-PERFORMANCE WATERPROOFING BARRIER.

Section 1: Summary

CONTENT INVENTORY

- | | |
|--|--|
| Threshold per material | Residuals and impurities considered in 1 of 1 materials |
| <input checked="" type="radio"/> 100 ppm | <input checked="" type="radio"/> see Section 2: Material Notes |
| <input type="radio"/> 1,000 ppm | <input checked="" type="radio"/> see Section 5: General Notes |
| <input type="radio"/> Per GHS SDS | |
| <input type="radio"/> Per OSHA MSDS | |
| <input type="radio"/> Other | |

Based on the selected Content Inventory Threshold:

- | | | |
|---|----------------------------------|-----------------------|
| Characterized..... | <input checked="" type="radio"/> | <input type="radio"/> |
| Are the Percent Weight and Role provided for all substances? | Yes | No |
| Screened..... | <input checked="" type="radio"/> | <input type="radio"/> |
| Are all substances screened using Priority Hazard Lists with results disclosed? | Yes | No |
| Identified..... | <input checked="" type="radio"/> | <input type="radio"/> |
| Are all substances disclosed by Name (Specific or Generic) and Identifier? | Yes | No |

CONTENT IN DESCENDING ORDER OF QUANTITY

Summary of product contents and results from screening individual chemical substances against HPD Priority Hazard Lists and the GreenScreen for Safer Chemicals®. The HPD does not assess whether using or handling this product will expose individuals to its chemical substances or any health risk. Refer to Section 2 for further details.

MATERIAL | SUBSTANCE | RESIDUAL OR IMPURITY
GREENSCREEN SCORE | HAZARD TYPE

BLUESKIN WP [ASPHALT **LT-1** | CAN STYRENE BUTADIENE RUBBER (SBR) **LT-UNK**
POLYETHYLENE **LT-UNK** DISTILLATES (PETROLEUM), HYDROTREATED HEAVY
NAPHTHENIC, SHOWN TO CONTAIN LESS THAN 3 % DMSO EXTRACT **LT-1** | CAN | MUL
SULFUR **LT-UNK** | SKI]

Number of Greenscreen BM-4/BM3 contents..... 0
Contents highest concern GreenScreen Benchmark or List translator Score..... LT-1
Nanomaterial..... No

INVENTORY AND SCREENING NOTES:

VOLATILE ORGANIC COMPOUND (VOC) CONTENT

VOC Content data is not applicable for this product category.

CERTIFICATIONS AND COMPLIANCE

No certifications have been added to this HPD.

<input checked="" type="radio"/> Self-Published*	VERIFIER:	SCREENING DATE: January 21, 2017	EXPIRY DATE*: January 21, 2020
<input type="radio"/> Third Party Verified	VERIFICATION #:	RELEASE DATE: January 21, 2017	* or within 3 months of significant change in product contents

*See HPDC website for details



Section 2: Content in Descending Order of Quantity

This section lists materials in a product and the substances in each material based on the Inventory Threshold for each material. If residuals or impurities from the manufacturing or extraction processes are considered for a material, these are inventoried and characterized to the extent described in the Material and/or General Notes. Chemical substances are screened against the HPD Priority Hazard Lists for human and environmental health impacts. Screening is based on best available information; "Not Found" does not necessarily mean there is no potential hazard associated with the product or its contents. More information about Priority Hazard Lists and the GreenScreen can be found online: www.hpd-collaborative.org and www.greenscreenchemicals.org.

BLUESKIN WP

%: 100.0000 - 100.0000 HPD URL:

Inventory Threshold: 100 ppm Residuals Considered: Yes

Material Notes:

ASPHALT

ID: 8052-42-4

%: 65.0000 - 75.0000

GS: LT-1

RC: None

NANO: NO

ROLE: Waterproofing/flexibility

HAZARDS:

AGENCY(IES) WITH WARNINGS:

CANCER

IARC

Group 2b - Possibly carcinogenic to humans

CANCER

US CDC - Occupational Carcinogens

Occupational Carcinogen

CANCER

MAK

Carcinogen Group 2 - Considered to be carcinogenic for man

SUBSTANCE NOTES: IARC considers asphalt as a carcinogen in road paving applications. This product is not intended for that use.

STYRENE BUTADIENE RUBBER (SBR)

ID: 9003-55-8

%: 5.0000 - 15.0000

GS: LT-UNK

RC: None

NANO: NO

ROLE: Flexibility

HAZARDS:

AGENCY(IES) WITH WARNINGS:

None Found

No warnings found on HPD Priority lists

SUBSTANCE NOTES:

POLYETHYLENE

ID: 9002-88-4

%: 5.0000 - 15.0000

GS: LT-UNK

RC: None

NANO: NO

ROLE: Protective polymer barrier

HAZARDS:

AGENCY(IES) WITH WARNINGS:

None Found

No warnings found on HPD Priority lists

SUBSTANCE NOTES:

%: 1.0000 - 5.0000 GS: LT-1 RC: None NANO: NO ROLE: Plasticizer

HAZARDS:

AGENCY(IES) WITH WARNINGS:

CANCER	EU - REACH Annex XVII CMRs	Carcinogen Category 2 - Substances which should be regarded as if they are Carcinogenic to man
MULTIPLE	ChemSec - SIN List	CMR - Carcinogen, Mutagen &/or Reproductive Toxicant
MULTIPLE	German FEA - Substances Hazardous to Waters	Class 3 - Severe Hazard to Waters

SUBSTANCE NOTES: Contains less than 3% DMSO extractables - not considered to be a carcinogen or a mutagen.

SULFUR

ID: 7704-34-9

%: Impurity/Residual GS: LT-UNK RC: None NANO: NO ROLE: Impurity/Residual

HAZARDS:

AGENCY(IES) WITH WARNINGS:

SKIN IRRITATION	EU - R-phrases	R38 - Irritating to skin
SKIN IRRITATION	EU - GHS (H-Statements)	H315 - Causes skin irritation

SUBSTANCE NOTES:

 **Section 3: Certifications and Compliance**

This section lists applicable certification and standards compliance information for VOC emissions and VOC content. Other types of health or environmental performance testing or certifications completed for the product may be provided.

 **Section 4: Accessories**

This section lists related products or materials that the manufacturer requires or recommends for installation (such as adhesives or fasteners), maintenance, cleaning, or operations. For information relating to the contents of these related products, refer to their applicable Health Product Declarations, if available.

AQUATAC PRIMER

HPD URL: No HPD link provided

CONDITION WHEN RECOMMENDED OR REQUIRED AND/OR OTHER NOTES: Used as a substrate primer.

 **Section 5: General Notes**



MANUFACTURER INFORMATION

MANUFACTURER: Henry Company

CONTACT NAME: Whitney Randall

ADDRESS: 999 N. Sepulveda Blvd.
Suite 800
El Segundo, CA 90245
USA

TITLE: Director, Regulatory Compliance Systems

PHONE: 484-557-1247

WEBSITE: www.henry.com

EMAIL: wrandall@henry.com

KEY

OSHA MSDS Occupational Safety and Health Administration Material Safety Data Sheet

GHS SDS Globally Harmonized System of Classification and Labeling of Chemicals Safety Data Sheet

Hazard Types

AQU Aquatic toxicity

GLO Global warming

PHY Physical Hazard (reactive)

CAN Cancer

MAM Mammalian/systemic/organ toxicity

REP Reproductive toxicity

DEV Developmental toxicity

MUL Multiple hazards

RES Respiratory sensitization

END Endocrine activity

NEU Neurotoxicity

SKI Skin sensitization/irritation/corrosivity

EYE Eye irritation/corrosivity

OZO Ozone depletion

LAN Land Toxicity

GEN Gene mutation

PBT Persistent Bioaccumulative Toxic

NF Not found on Priority Hazard Lists

GreenScreen (GS)

BM-4 Benchmark 4 (prefer-safer chemical)

LT-P1 List Translator Possible Benchmark 1

BM-3 Benchmark 3 (use but still opportunity for improvement) BM-2 Benchmark 2 (use but search for safer substitutes)

LT-1 List Translator Likely Benchmark 1

BM-1 Benchmark 1 (avoid - chemical of high concern)

LT-UNK List Translator Benchmark Unknown (insufficient information from List Translator lists to benchmark)

BM-U Benchmark Unspecified (insufficient data to benchmark)

UNK Unknown (no data on List Translator Lists)

Recycled Types

PreC Preconsumer (Post-Industrial)

PostC Postconsumer

Both Both Preconsumer and Postconsumer

Unk Inclusion of recycled content is unknown

None Does not include recycled content

Other

Nano Composed of nanoscale particles or nanotechnology

Declaration Level

Self-declared Manufacturer's self-declaration (First Party)

Independent Lab Manufacturer's self-declaration using results from an independent lab

Second Party Verification by trade association or other interested party

Third Party Verification by independent certifier

Applicable facilities Manufacturing sites to which testing applies

The Health Product Declaration (HPD) Open Standard provides for the disclosure of product contents and potential associated human and environmental health hazards. Hazard associations are based on the HPD Priority Hazard Lists, the GreenScreen List Translator, and when available, full GreenScreen assessments. The HPD Open Standard does not provide an assessment of health impacts throughout the product life cycle. It does not provide an assessment of exposure or risk associated with product handling or use. It also does not address potential health impacts of: (i) substances used or created during the manufacturing process unless they remain in the final product, or (ii) substances created after the product is delivered for end use (e.g., if the product burns, degrades, or otherwise changes chemical composition).

The HPD Open Standard was created and is maintained and evolved by the Health Product Declaration Collaborative (the HPD Collaborative), a customer-led organization composed of stakeholders throughout the building industry. The HPD Collaborative is committed to the continuous improvement of building products through transparency, openness, and innovation throughout the product supply chain.

A disclosure completed in compliance with the HPD Open Standard is referred to as a "Health Product Declaration," or "HPD." The product manufacturer and any applicable independent verifier are solely responsible for the accuracy of statements and claims made in this HPD and for compliance with the HPD Open Standard noted.

Declare.

Blueskin WP 200 Henry Company

Final Assembly: Garland, Texas, USA

Life Expectancy: Life of structure Year(s)

End of Life Options: Landfill (100%)

EU CoC Screened: Does Not Contain

Ingredients:

Asphalt; SBR Rubber; Mineral Oil; SIS Rubber; Polyethylene;
Sulfur, Elemental

Living Building Challenge Criteria: Compliant

I-13 Red List:

- | | |
|---|-----------------------------|
| <input checked="" type="checkbox"/> LBC Red List Free | % Disclosed: 100% at 100ppm |
| <input type="checkbox"/> LBC Red List Approved | VOC Content: Not Applicable |
| <input type="checkbox"/> Declared | |

I-10 Interior Performance: Not Applicable

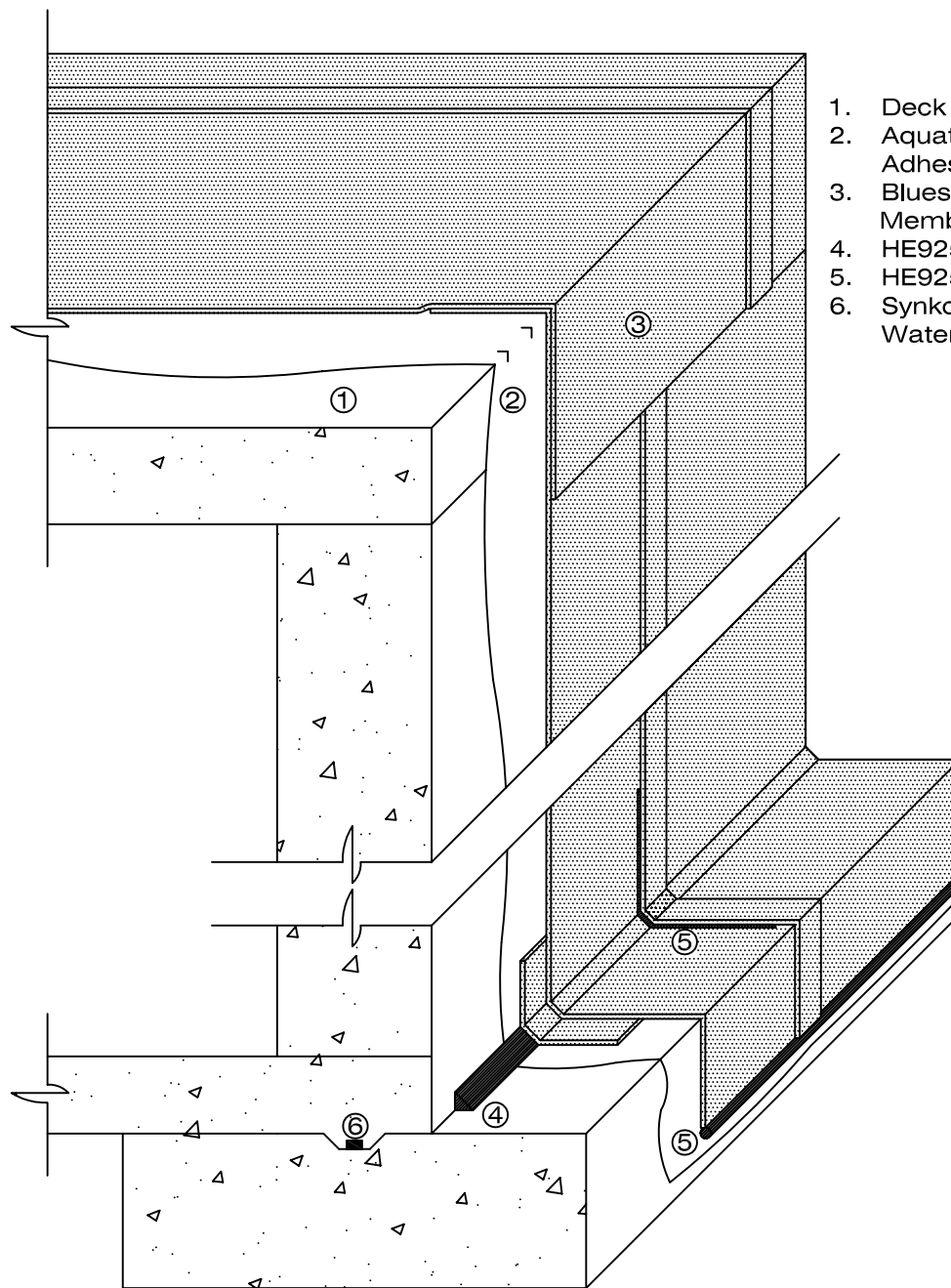
I-14 Responsible Sourcing: Not Applicable

HCO-0008

EXP. 01 DEC 2021

SCREENED: 23 NOV 2020

Original Issue Date: 2020



1. Deck
2. Aquatac Primer or Blueskin Adhesive
3. Blueskin WP 200 Membrane
4. HE925 or Polybitume
5. HE925 or Polybitume
6. Synko-Flex or Hydro-Flex Waterstop

Notes:

1. System detail showing typical application to a concrete foundation wall and deck.
2. Blueskin WP 200 must be protected. Use extruded polystyrene insulated assemblies. Prefabricated geocomposite drainage boards, polypropylene, or asphaltic protection board may also be used.

Henry
COMPANY®

BLUESKIN WP-200

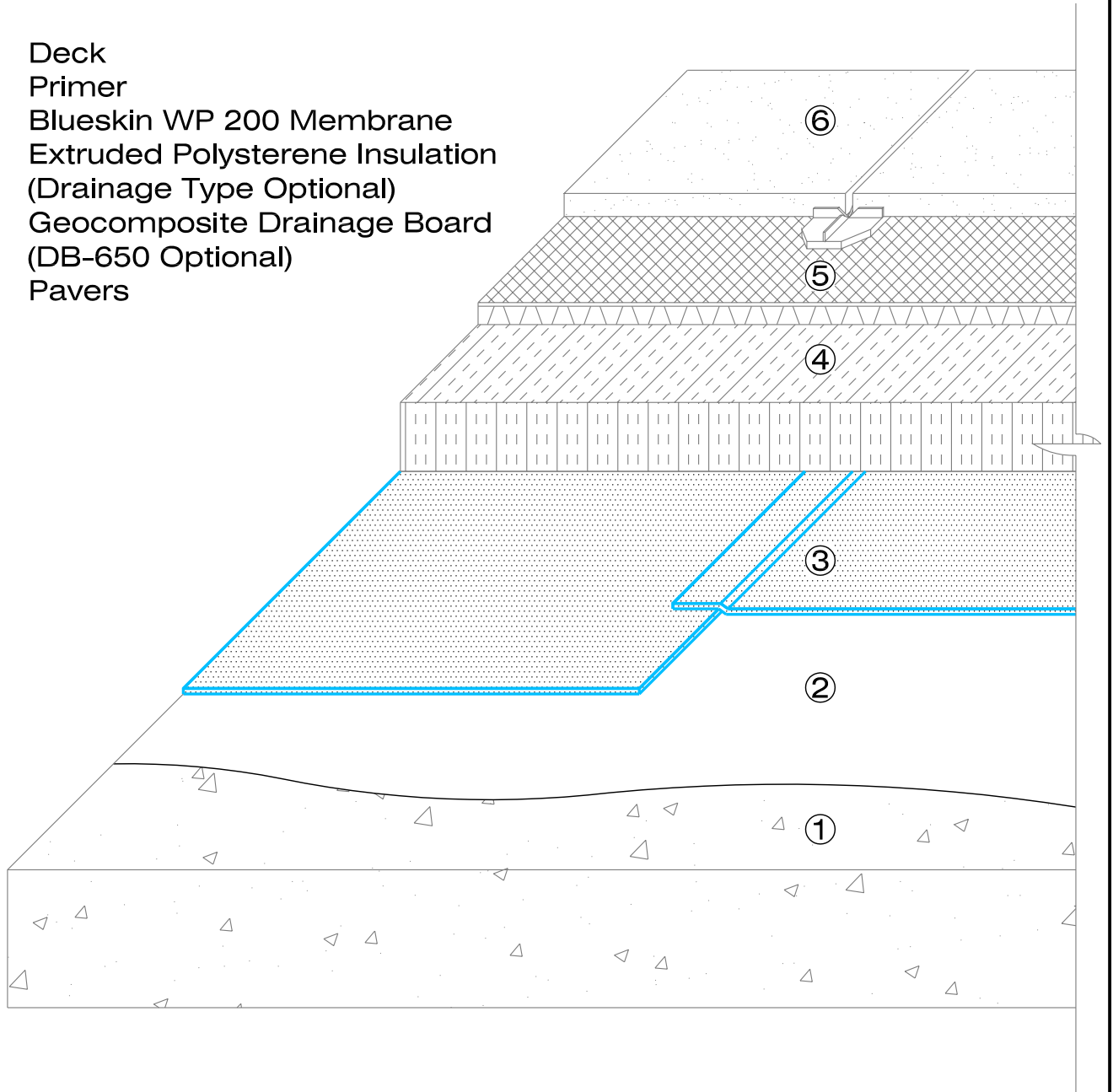
SCALE: N.T.S.

FOUNDATION WALL APPLICATIONS

**SYSTEM
DETAIL**

ES-H101

1. Deck
2. Primer
3. Blueskin WP 200 Membrane
4. Extruded Polysterene Insulation
(Drainage Type Optional)
5. Geocomposite Drainage Board
(DB-650 Optional)
6. Pavers



Notes:

1. System detail showing typical application to an insulated concrete plaza deck.
2. Application of the blueskin WP 200 membrane begins in the drain and proceeds toward the high point in a shingle fashion.
3. Other horizontal applications include planters, indoor mechanical rooms, laboratories and bathrooms.
4. Drainage may be facilitated by using drainage type polystyrene insulation. On non-insulated assemblies, a geocomposite drainage board may be used.

Henry
COMPANY®

BLUESKIN WP-200

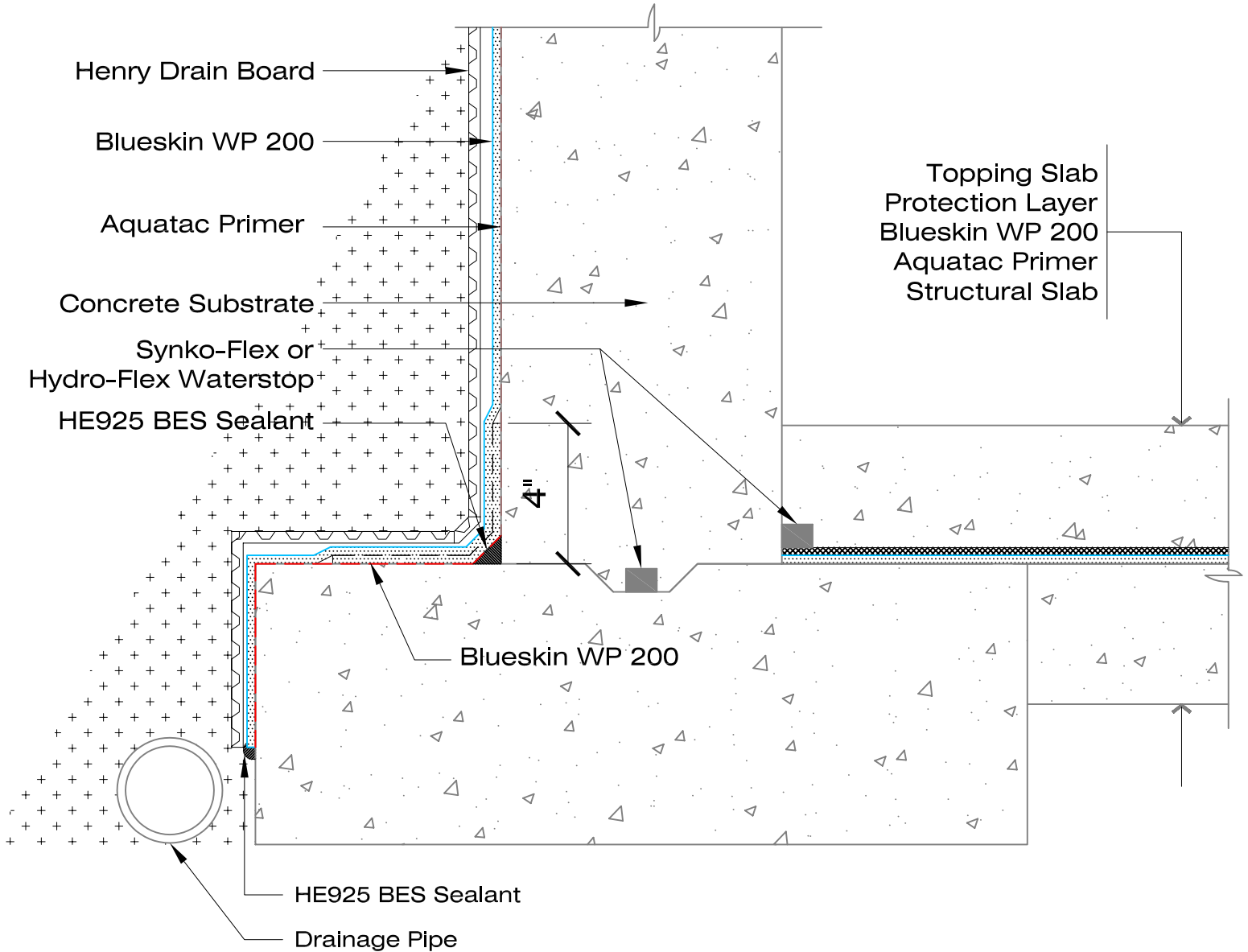
SCALE: N.T.S.

CONCRETE PLAZA DECK APPLICATIONS

FIT TO PAPER

**SYSTEM
DETAIL**

ES-H102



Notes:

1. A 9" reinforcing strip of Blueskin WP 200 is applied at 90 degree changes in plane.
2. Terminations in the membrane are sealed using Henry HE925 BES Sealant.
3. Use Aqua-Bloc 2P to smooth rough substrate at top of footing, where required.
4. See Technical Data Sheets for requirements of membrane protection.



BLUESKIN WP-200

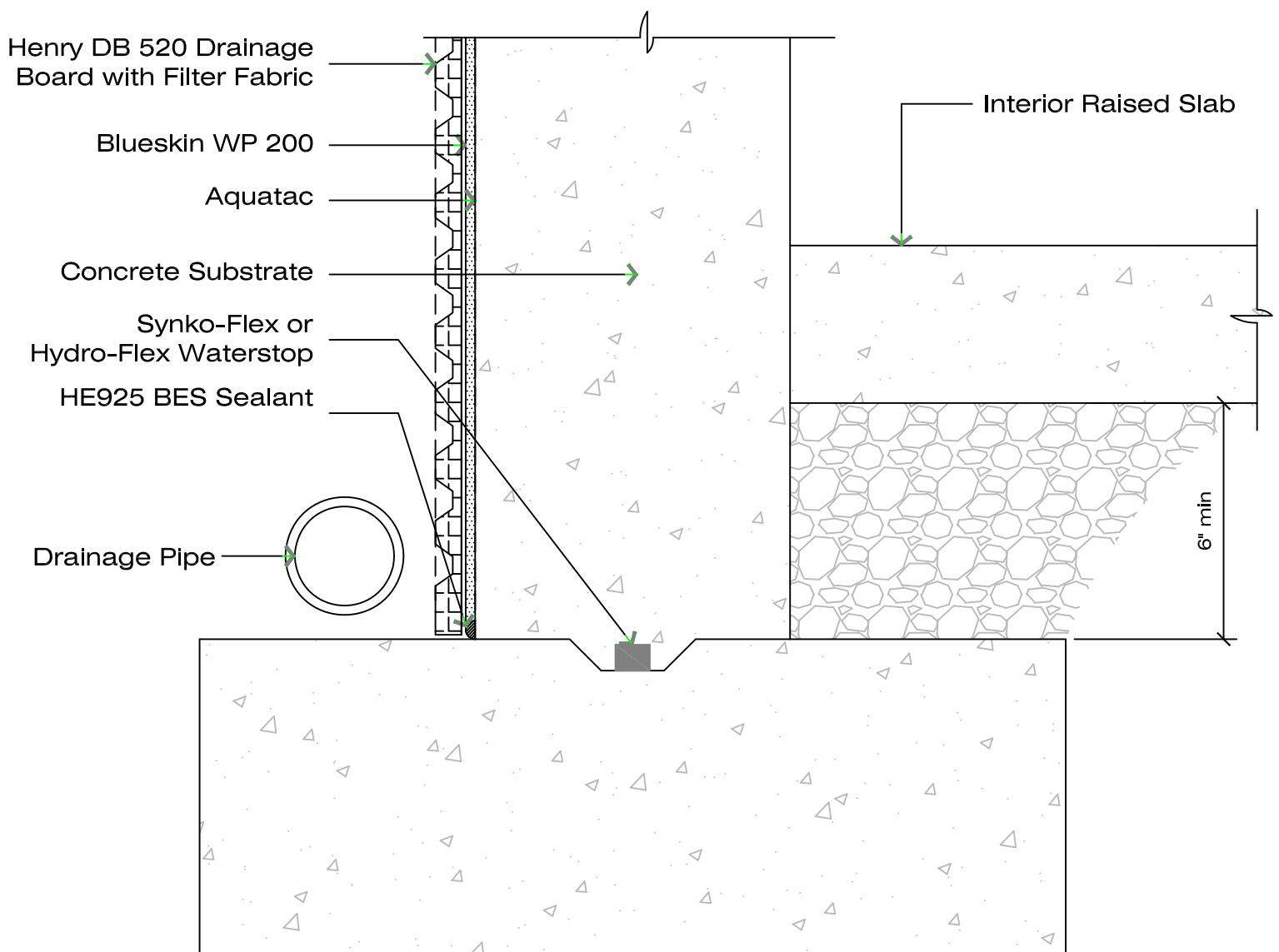
SELF-ADHERED WATERPROOFING SYSTEM

WALL/FOOTING
DETAIL

SCALE: N.T.S.

09-16-10

ES-H103



Notes:

1. Detail applicable to conditions where the bottom of the interior floor slab is raised a minimum of 6" above the top of the footing as shown.
2. See technical Data Sheets for requirements of membrane protection.

Henry
COMPANY®

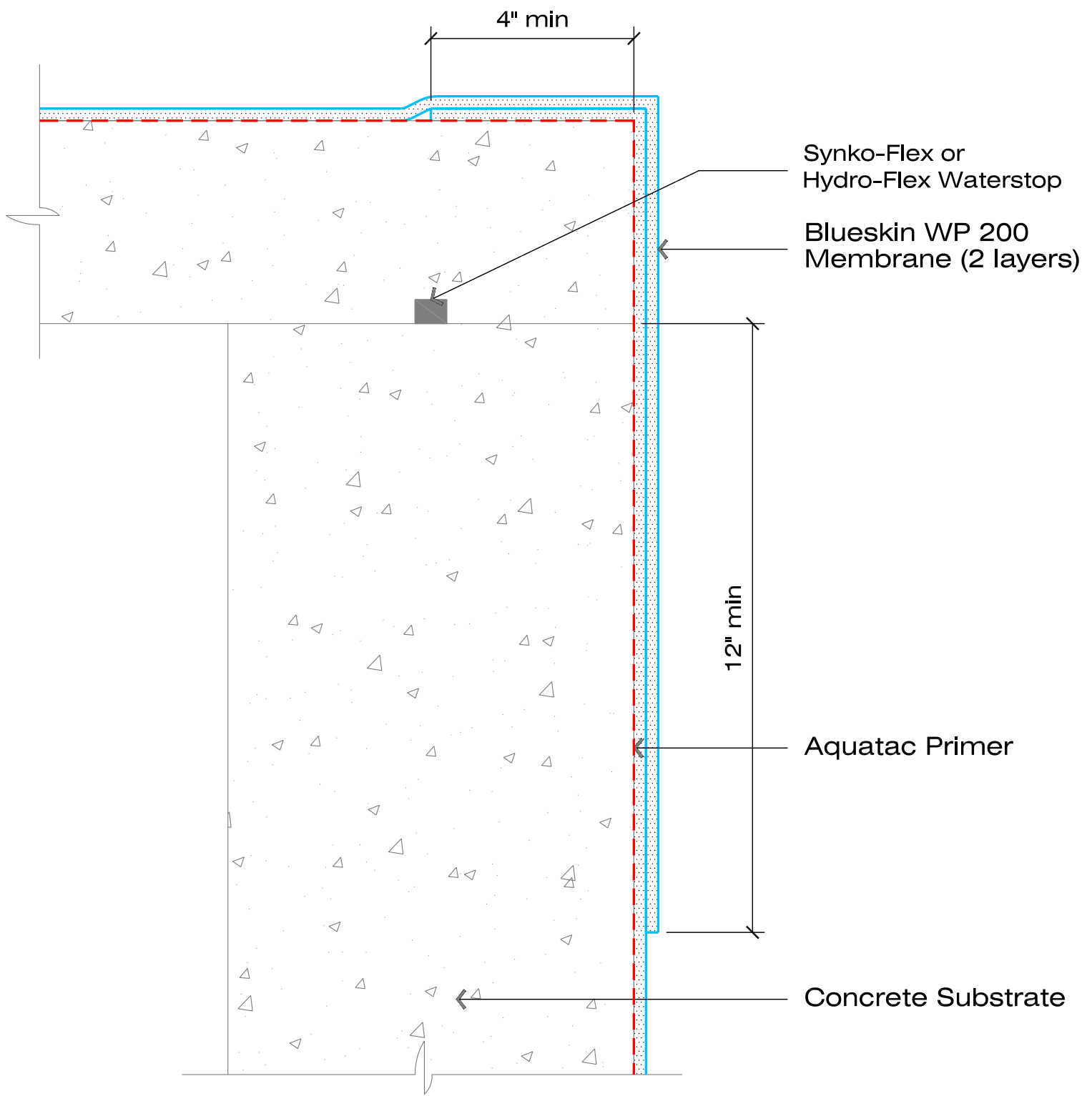
BLUESKIN WP-200

SCALE: N.T.S.

SELF-ADHERED WATERPROOFING SYSTEM

**RAISED SLAB
DETAIL**

ES-H104



Notes:

1. The Bluesin WP 200 membrane is extended 12" below the deck-to-wall joint.
2. Two plies of Blueskin WP 200 are used at all 90 degree changes in plane.
3. See Technical Data Sheets for requirements of membrane protection.

Henry
COMPANY®

BLUESKIN WP-200

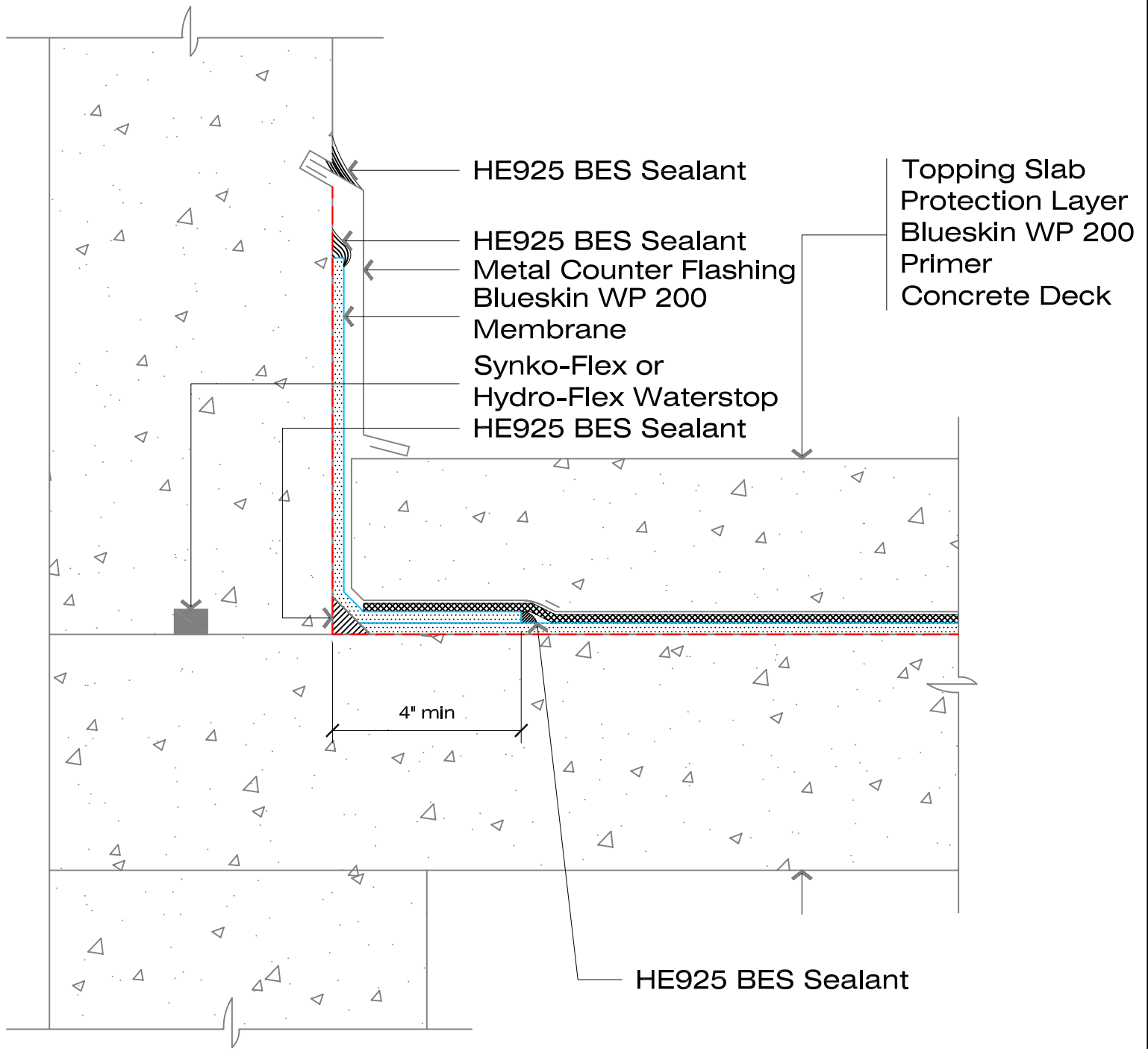
SCALE: N.T.S.

SELF-ADHERED WATERPROOFING SYSTEM

FIT TO PAPER

DECK/WALL
DOWNTURN DETAIL

ES-H105



Notes:

1. The field membrane is extended into the edge of the HE925 BES sealant fillet.
2. The termination detail may incorporate a continuous termination bar, reglet or use of a counter flashing as shown.

Henry
 COMPANY®
 www.henry.com

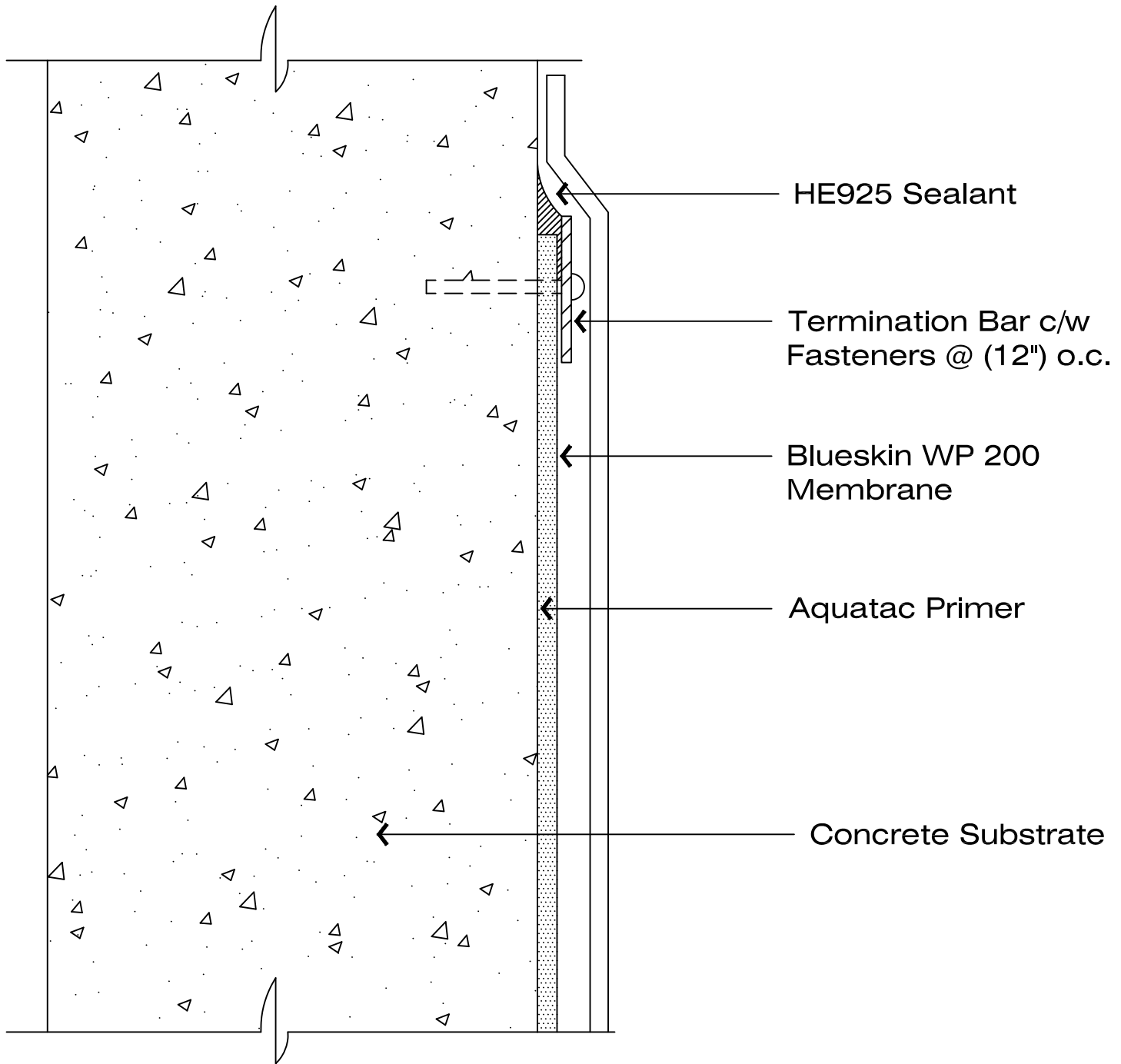
BLUESKIN WP-200

SCALE: N.T.S.

SELF-ADHERED WATERPROOFING SYSTEM

**DECK/WALL
 UPTURN DETAIL**

ES-H106



Notes:

1. Counter flashing, reglet and termination bar details are acceptable.
2. A termination bar must be used on all deck-to-wall expansion joint details.
3. See Technical Data Sheets for requirements of membrane protection.

Henry
COMPANY®

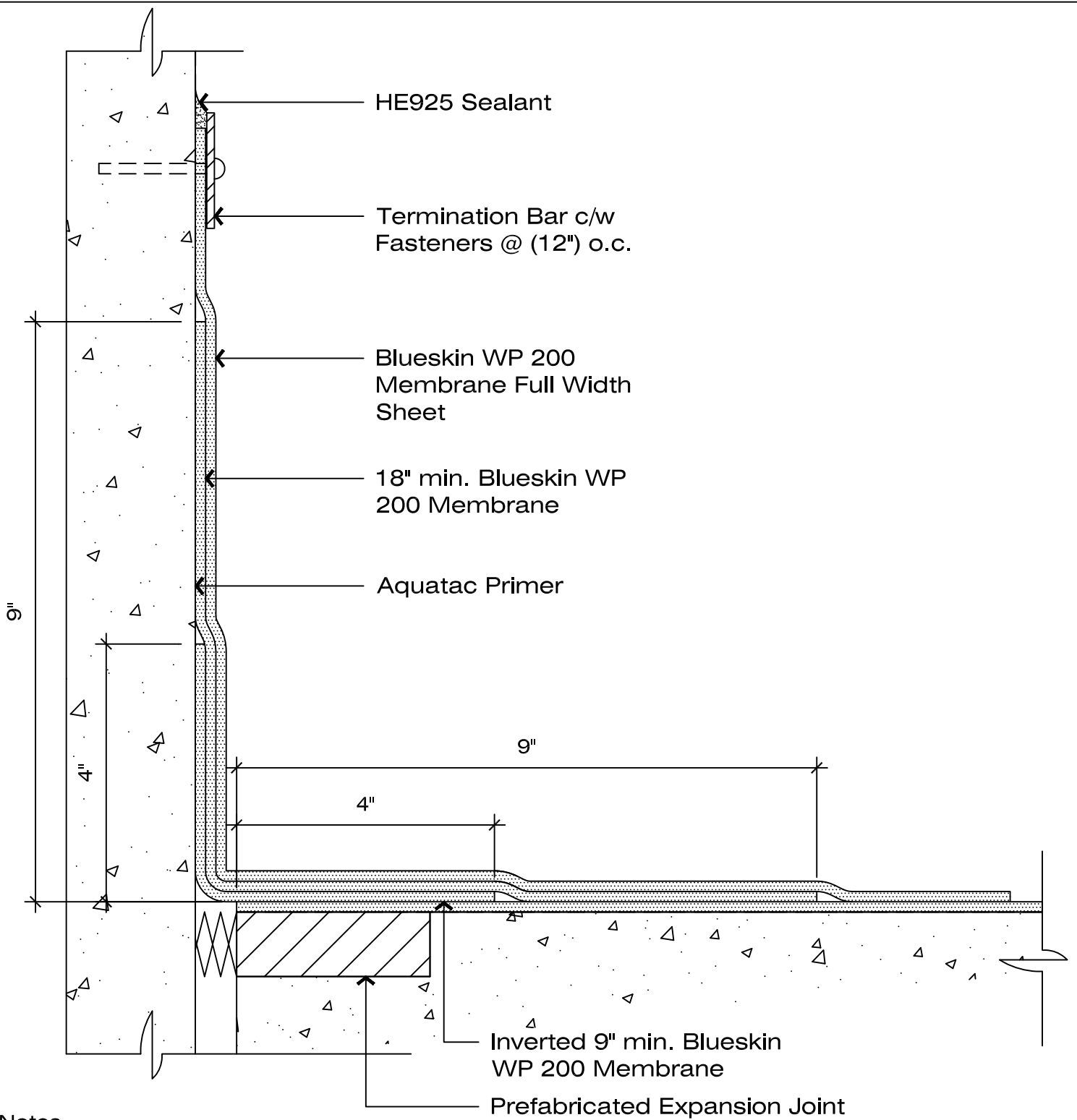
BLUESKIN WP-200

SCALE: N.T.S.

SELF-ADHERED WATERPROOFING SYSTEM

**TERMINATION BAR
DETAIL**

ES-H107



Notes

1. Termination detail may also be a reglet/counter flashing.
2. Seal all terminations with HE925 if not covered on same day by field membrane.
3. A termination bar must be used on all deck-to-wall expansion joint details.
4. See Technical Data Sheets for requirements of membrane protection.

Henry
COMPANY®

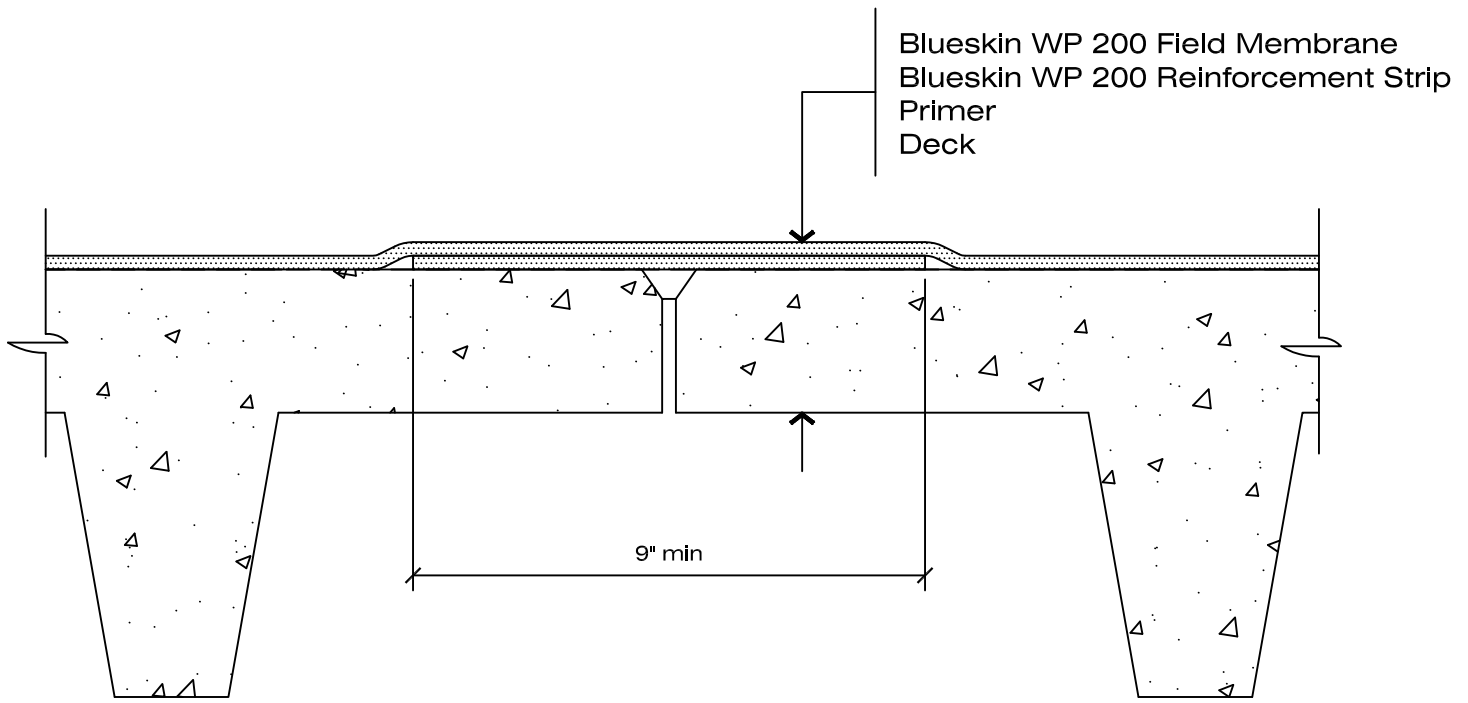
BLUESKIN WP-200

SCALE: N.T.S.

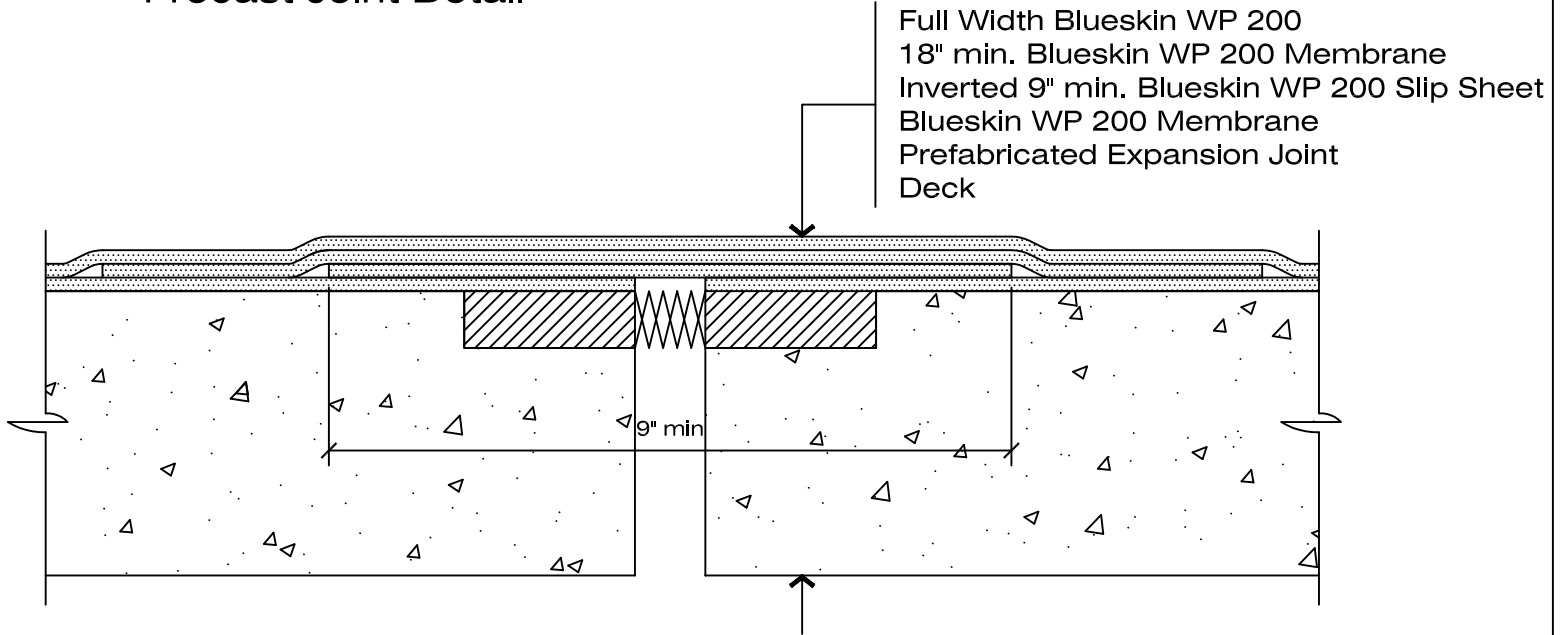
SELF-ADHERED WATERPROOFING SYSTEM

**EXPANSION
JOINT DETAIL**

ES-H108



Precast Joint Detail



Expansion Joint

Notes

1. Provide a night-seal application of HE925 sealant or Polybitume 570-05 to reinforce membrane terminations if not covered on the same day by field membrane.
2. End joints of precast units should be reinforced with a 12" wide strip of Blueskin WP 200.



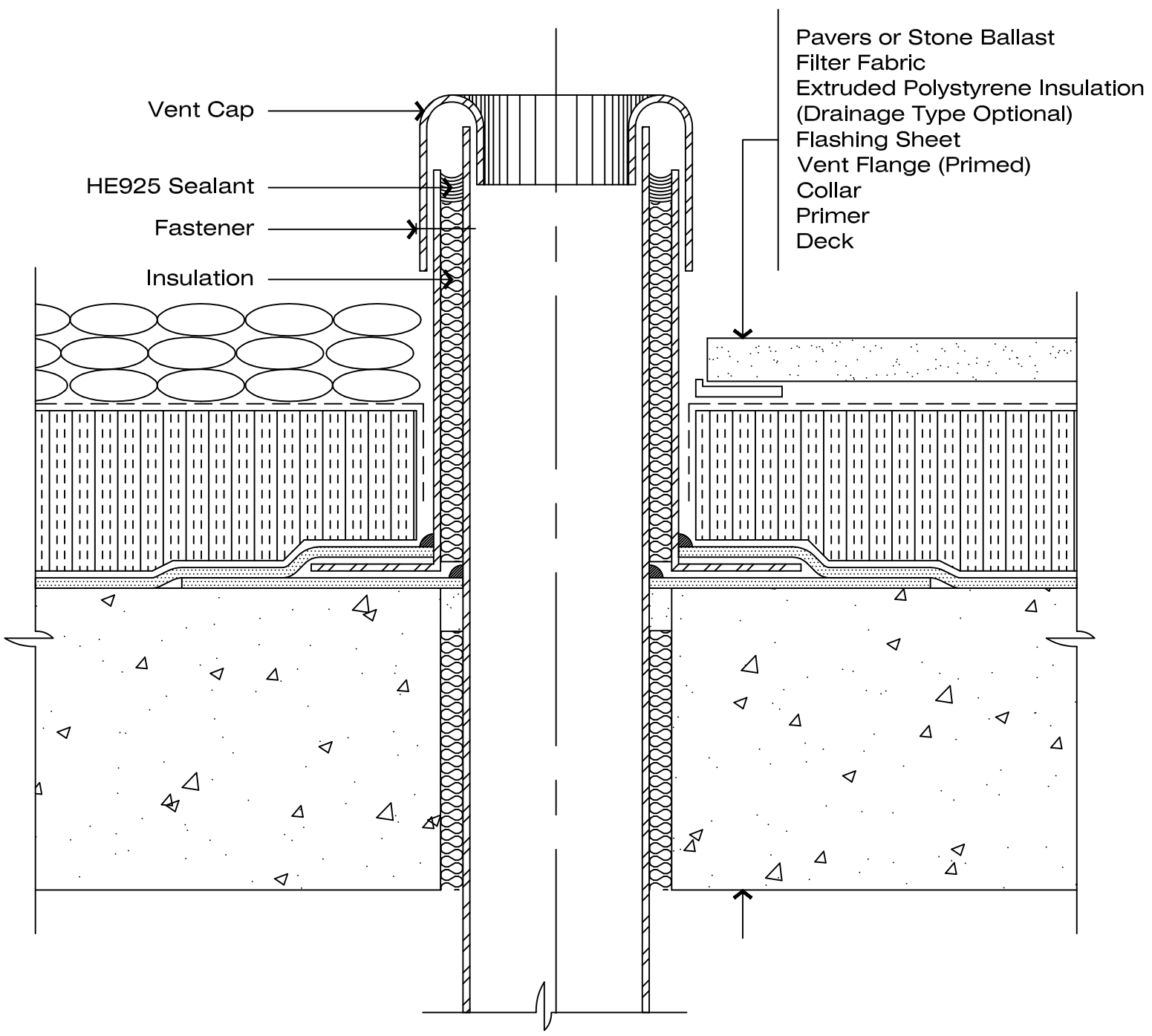
BLUESKIN WP-200

SCALE: N.T.S.

SELF-ADHERED WATERPROOFING SYSTEM

PRECAST/EXPANS.
JOINT DETAIL

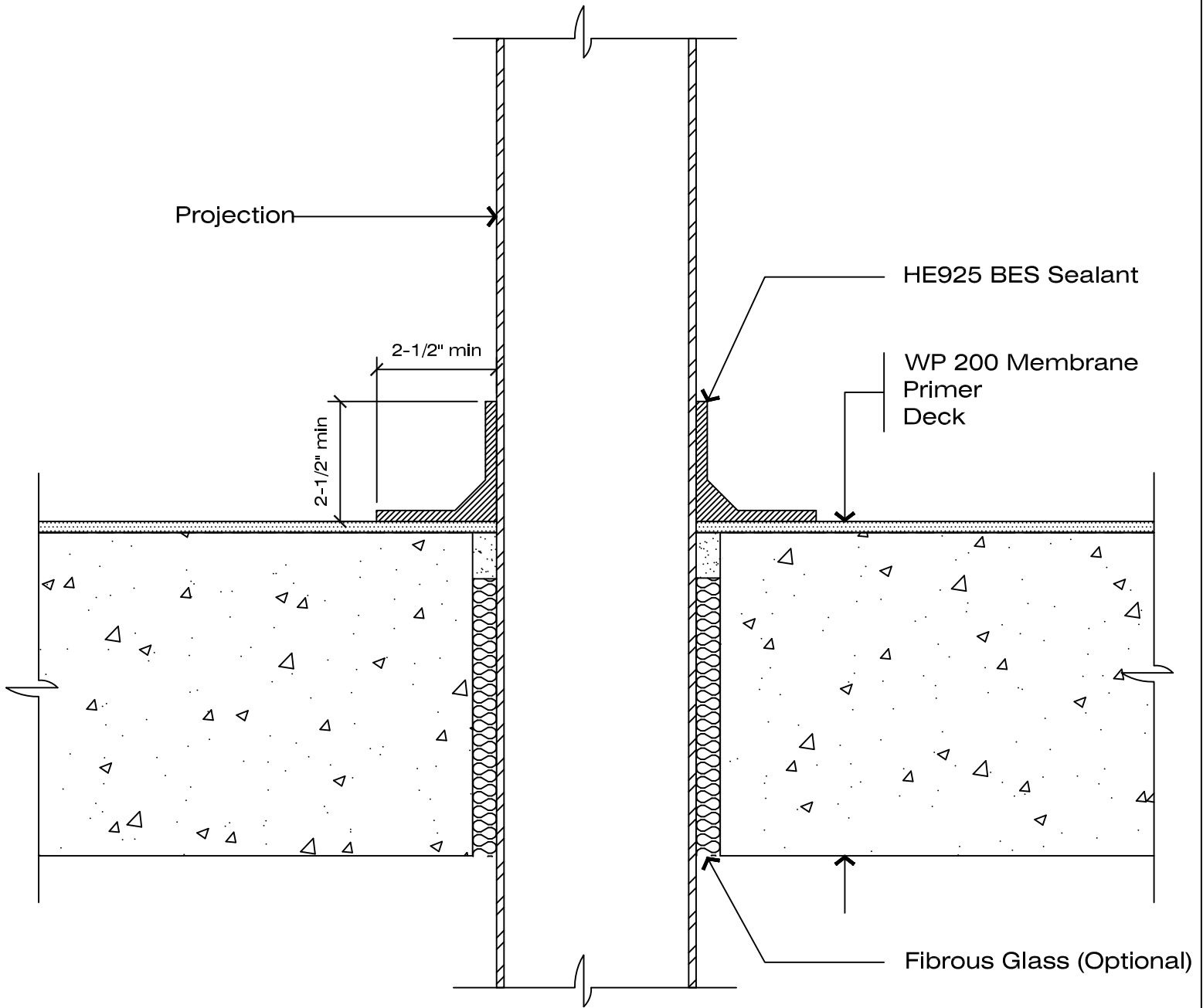
ES-H109



Notes:

1. A night-seal application of HE925 sealant should be provided along the outside edge of the membrane when not covered on the same day by the field membrane.

	BLUESKIN WP-200	SCALE: N.T.S.
	SELF-ADHERED WATERPROOFING SYSTEM	
	VENT DETAIL	ES-H110



Notes:

1. Projection must be secured in place.
2. Application of HE925 BES sealant must be a minimum of (90 mils).
3. HE925 BES sealant must be tooled after application to base of projection.

Henry
COMPANY®

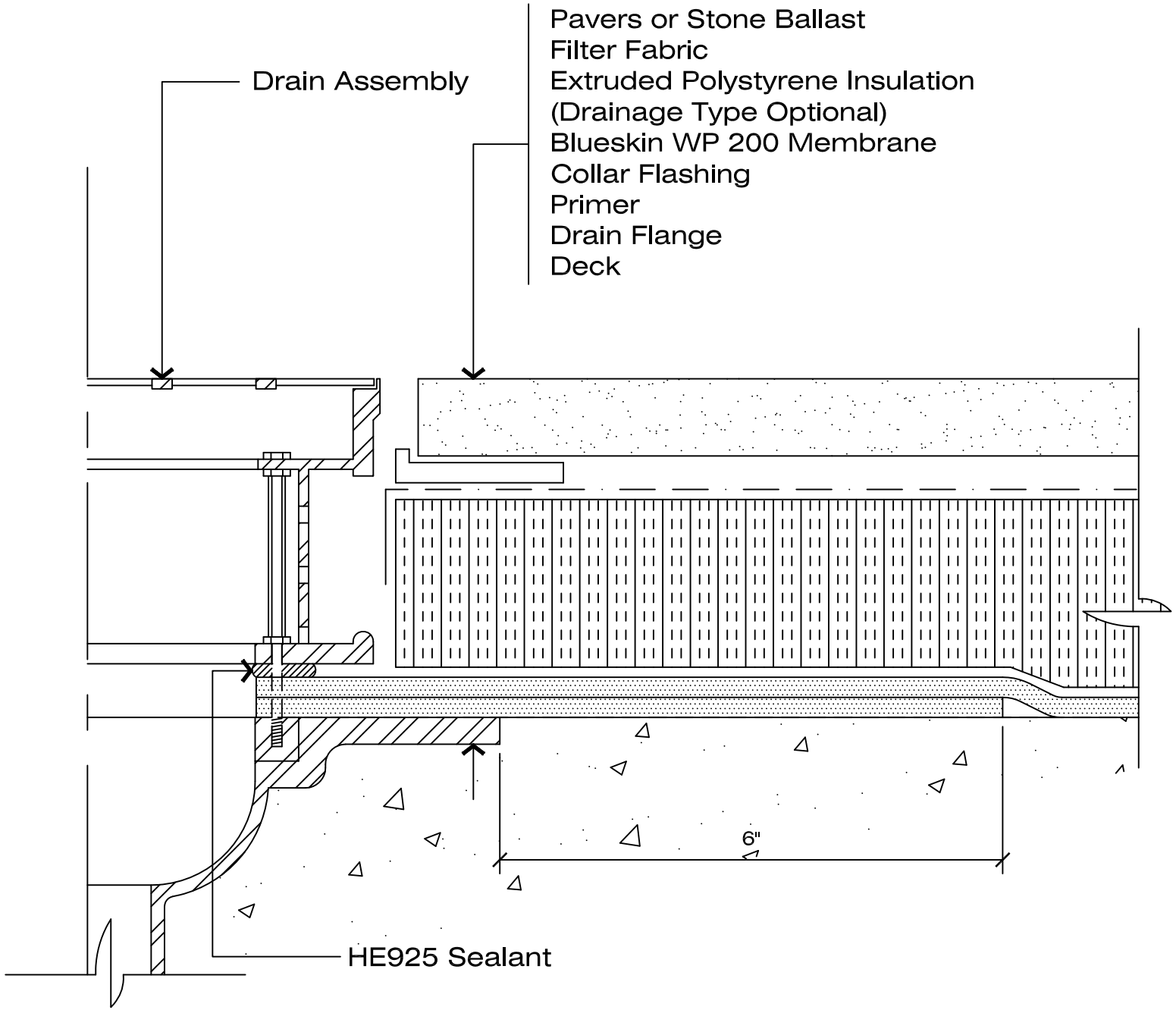
BLUESKIN WP-200

SCALE: N.T.S.

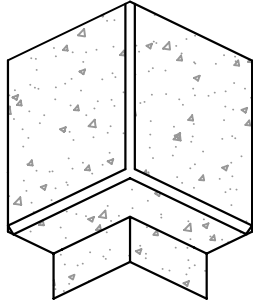
SELF-ADHERED WATERPROOFING SYSTEM

**PROJECTION
DETAIL**

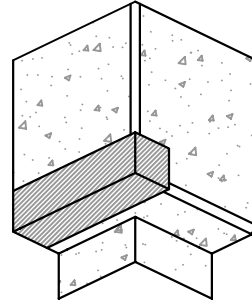
ES-H111



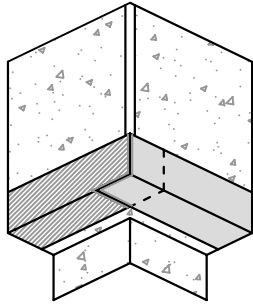
	BLUESKIN WP-200	SCALE: N.T.S.
	SELF-ADHERED WATERPROOFING SYSTEM	
	DRAIN DETAIL	ES-H112



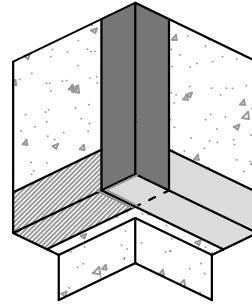
1. At horizontal and vertical inside corners, apply fillet bead of HE925 BES Sealant to clean, prepared and primed substrate.



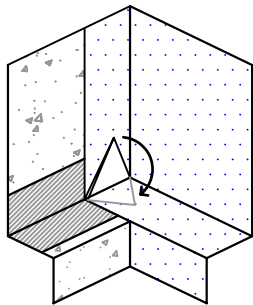
2. Prestrip transition area as shown with minimum 9" wide Blueskin WP200 wrapping membrane past inside corner.



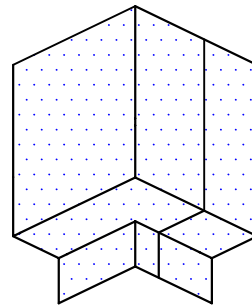
3. Continue to prestrip transition area as shown with minimum 9" wide Blueskin WP200 wrapping membrane into corner. Seal cut edges with HE925 BES Sealant.



4. Apply minimum 9" wide Blueskin WP200 vertically as shown to inside corner.



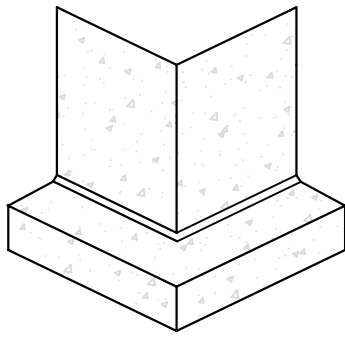
5. Extend Blueskin WP200 a minimum of 8" past inside corner and downward over footing as shown. Create flap in excess membrane as shown and fold downward onto horizontal surface. Seal edges with HE925 Sealant.



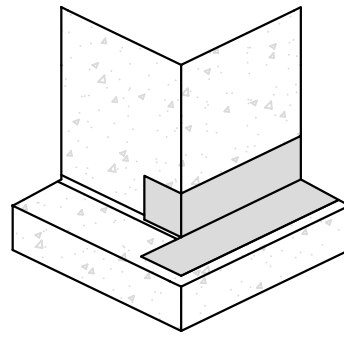
6. Continue field application by Blueskin WP200 extending downward over footing as shown. Seal all seams and terminations located within 12" of change-in-plane with HE925 Sealant.

Notes:

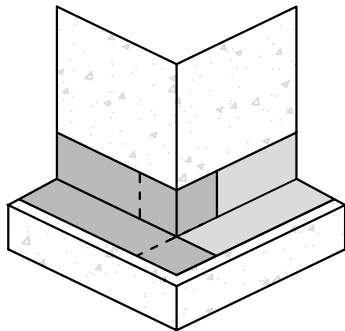
1. All substrates to receive Blueskin WP200 must be primed per Henry requirements.
2. A 9" reinforcing strip of Blueskin WP 200 is applied at 90 degree changes in plane.
3. Firmly roll membrane with countertop-style roller immediately after installation.
4. Seams within 12" of change-in-plane must be sealed with HE925 BES Sealant.
5. See Henry Blueskin WP200 Guide Specification for complete requirements.



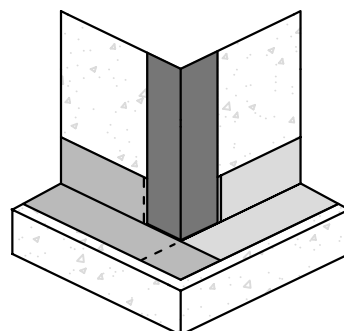
1. Apply fillet bead of HE925 BES Sealant to clean, prepared and primed substrate.



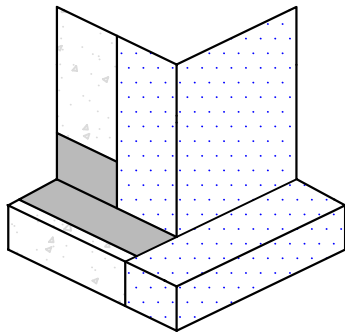
2. Prestrip transition area as shown with minimum 9" wide Blueskin WP200 wrapping membrane around outside corner.



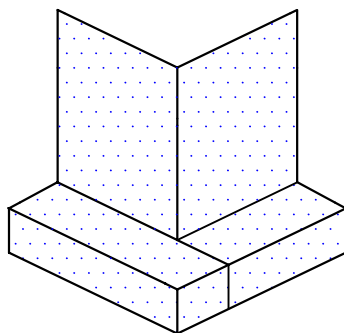
3. Continue to prestrip transition area as shown with minimum 9" wide Blueskin WP200 wrapping membrane around corner. Seal edges with HE925 BES Sealant.



4. Apply minimum 9" wide Blueskin WP200 vertically as shown to outside corner.



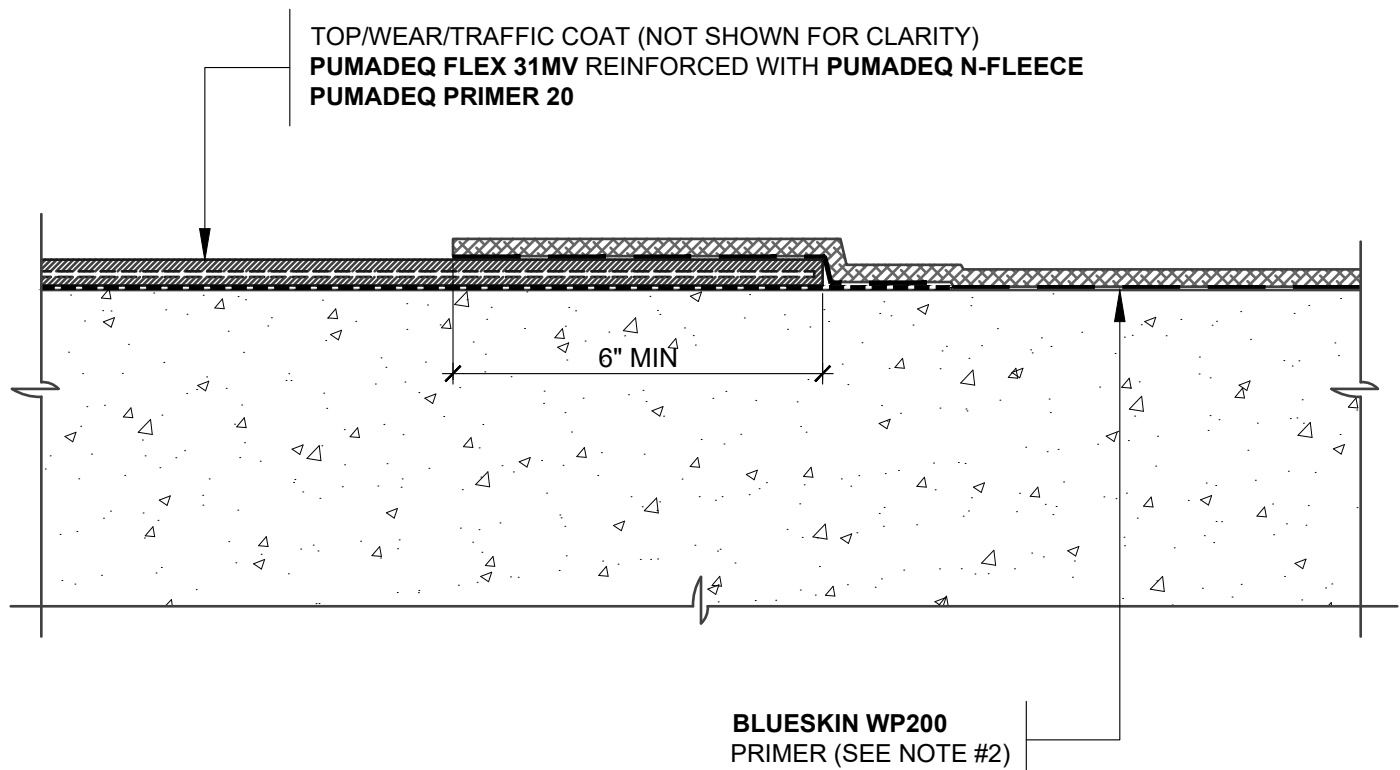
5. Extend Blueskin WP200 a minimum of 8" past outside corner and downward over footing as shown.



6. Continue field application by applying full width of Blueskin WP200 extending downward over footing as shown.

Notes:

1. All substrates to receive Blueskin WP200 must be primed per Henry requirements.
2. A 9" reinforcing strip of Blueskin WP 200 is applied at 90 degree change-in-plane.
3. Firmly roll membrane with countertop-style roller immediately after installation.
4. Seams within 12" of change-in-plane must be sealed with HE925 BES Sealant.
5. See Henry Blueskin WP200 Guide Specification for complete requirements.



NOTES:

1. DETAIL SHOWS HENRY **BLUESKIN WP200** SELF-ADHERED WATERPROOFING TRANSITION WITH HENRY **PUMADEC SYSTEM**. SUBSTRATE SHOWN IS FOR REFERENCE ONLY. REFER TO PRODUCT SPECIFIC TECHNICAL DATA SHEET FOR AUTHORIZED SUBSTRATES.
2. REFER TO THE **BLUESKIN WP200** TECHNICAL DATA SHEET FOR PRIMER RECOMMENDATIONS.
3. TRANSITION DETAIL IS SUITABLE FOR BOTH REINFORCED AND UNREINFORCED **PUMADEC SYSTEM** FIELD MEMBRANE APPLICATIONS. TOP, WEAR, AND TRAFFIC COATING NOT SHOWN FOR CLARITY. REFER TO **PUMADEC SYSTEM** DETAILS FOR FURTHER CLARITY.
4. PREPARE AND PRIME VERTICAL SUBSTRATES A MINIMUM 2" BEYOND **PUMADEC SYSTEM** APPLICATION IN ACCORDANCE WITH HENRY **PUMADEC SYSTEM** SUBSTRATE PREPARATION GUIDELINES.
5. HENRY OFFERS PAVERS, RIGID INSULATION, AND/OR PREFABRICATED DRAINAGE COMPOSITES AS A SINGLE SOURCE WARRANTY OPTION PER PROJECT SPECIFIC REQUIREMENTS. CONTACT HENRY FOR SYSTEM CONFIGURATIONS AND WARRANTY OPTIONS.
6. REFER TO PRODUCT SPECIFIC GUIDE SPECIFICATION FOR RECOMMENDED INSTALLATION PROCEDURES.

Henry[®]

999 N. Pacific Coast Highway, Suite 800
 El Segundo, CA 90245
 800-486-1278 • www.henry.com

MANUFACTURER GUIDE DETAILS ARE FOR REFERENCE ONLY. HENRY DOES NOT ASSUME RESPONSIBILITY FOR ERRORS OR DEVIATIONS IN DESIGN OR ENGINEERING. PROJECT SPECIFIC VERIFICATION IS RECOMMENDED PRIOR TO INSTALLATION.

PUMADEC SYSTEM TIE-IN TO BLUESKIN WP200

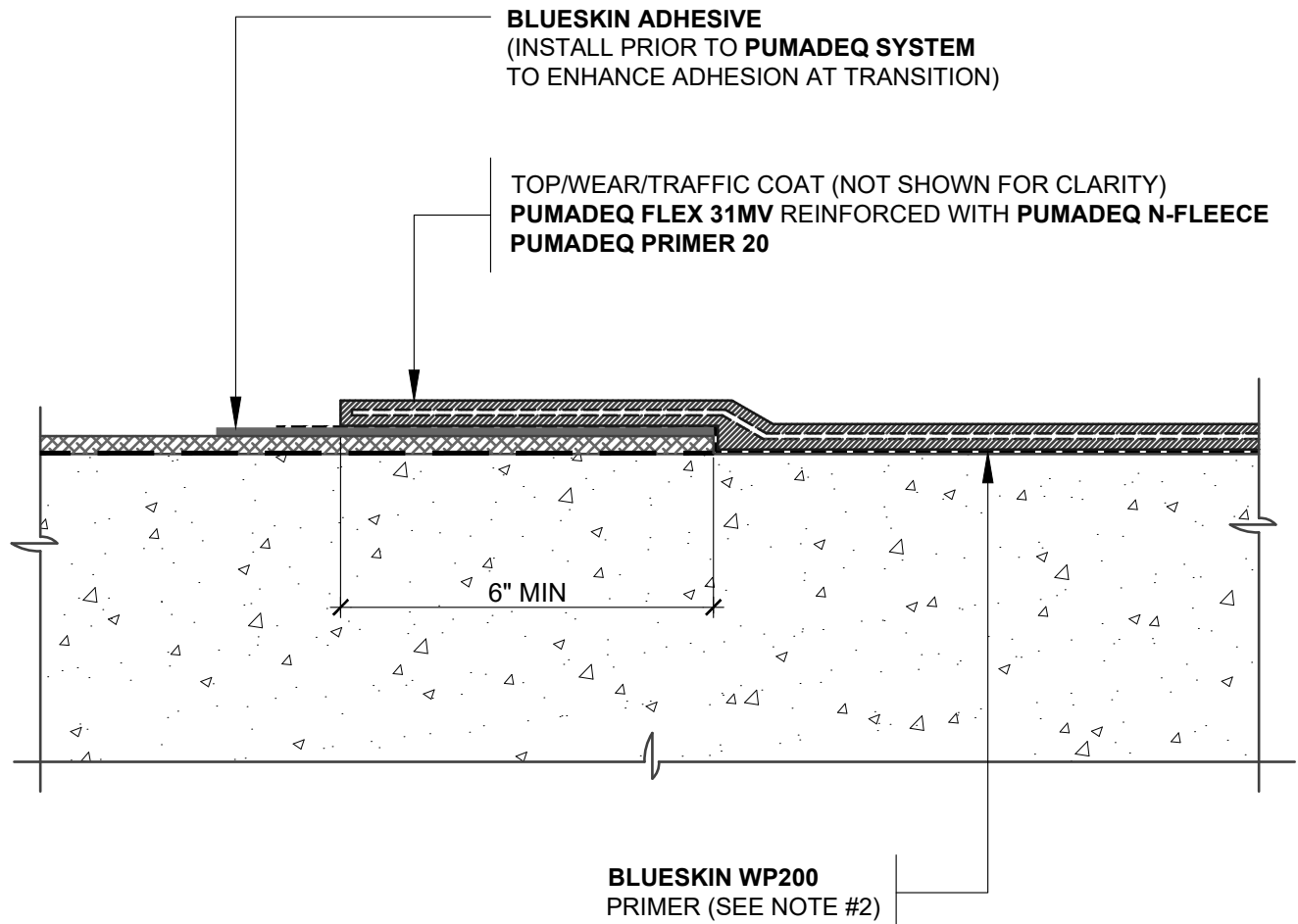
TIE-IN DETAIL

**DISSIMILAR MATERIAL TRANSITIONS
 PUMADEC SYSTEM AND BLUESKIN WP200**

SCALE: N.T.S.

07-08-2019

PMDQ-TID-A3A



NOTES:

1. DETAIL SHOWS HENRY **BLUESKIN WP200** SELF-ADHERED WATERPROOFING TRANSITION WITH HENRY **PUMADEQ SYSTEM**. SUBSTRATE SHOWN IS FOR REFERENCE ONLY. REFER TO PRODUCT SPECIFIC TECHNICAL DATA SHEET FOR AUTHORIZED SUBSTRATES.
2. REFER TO THE **BLUESKIN WP200** TECHNICAL DATA SHEET FOR PRIMER RECOMMENDATIONS.
3. TRANSITION DETAIL IS SUITABLE FOR BOTH REINFORCED AND UNREINFORCED **PUMADEQ SYSTEM** FIELD MEMBRANE APPLICATIONS. TOP, WEAR, AND TRAFFIC COATING NOT SHOWN FOR CLARITY. REFER TO **PUMADEQ SYSTEM** DETAILS FOR FURTHER CLARITY.
4. PREPARE AND PRIME VERTICAL SUBSTRATES A MINIMUM 2" BEYOND **PUMADEQ SYSTEM** APPLICATION IN ACCORDANCE WITH HENRY **PUMADEQ SYSTEM** SUBSTRATE PREPARATION GUIDELINES.
5. HENRY OFFERS PAVERS, RIGID INSULATION, AND/OR PREFABRICATED DRAINAGE COMPOSITES AS A SINGLE SOURCE WARRANTY OPTION PER PROJECT SPECIFIC REQUIREMENTS. CONTACT HENRY FOR SYSTEM CONFIGURATIONS AND WARRANTY OPTIONS.
6. REFER TO PRODUCT SPECIFIC GUIDE SPECIFICATION FOR RECOMMENDED INSTALLATION PROCEDURES.

Henry[®]

999 N. Pacific Coast Highway, Suite 800
El Segundo, CA 90245
800-486-1278 • www.henry.com

MANUFACTURER GUIDE DETAILS ARE FOR REFERENCE ONLY. HENRY DOES NOT ASSUME RESPONSIBILITY FOR ERRORS OR DEVIATIONS IN DESIGN OR ENGINEERING. PROJECT SPECIFIC VERIFICATION IS RECOMMENDED PRIOR TO INSTALLATION.

PUMADEQ SYSTEM TIE-IN TO BLUESKIN WP200

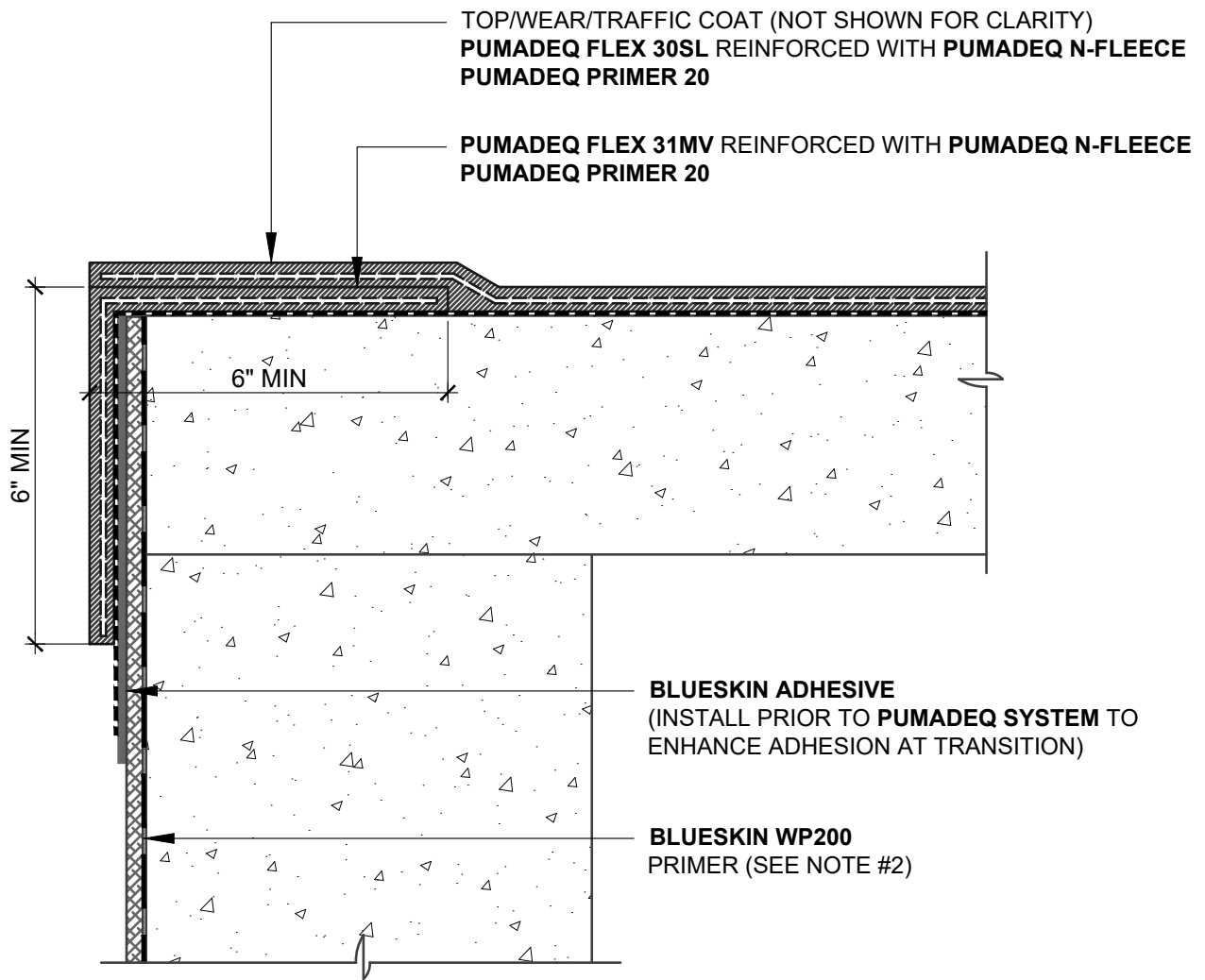
TIE-IN DETAIL

DISSIMILAR MATERIAL TRANSITIONS
PUMADEQ SYSTEM AND BLUESKIN WP200

SCALE: N.T.S.

07-08-2019

PMDQ-TID-A3B



NOTES:

1. DETAIL SHOWS HENRY **BLUESKIN WP200** SELF-ADHERED WATERPROOFING TRANSITION WITH HENRY **PUMADEC SYSTEM**. SUBSTRATE SHOWN IS FOR REFERENCE ONLY. REFER TO PRODUCT SPECIFIC TECHNICAL DATA SHEET FOR AUTHORIZED SUBSTRATES.
2. REFER TO THE **BLUESKIN WP200** TECHNICAL DATA SHEET FOR PRIMER RECOMMENDATIONS.
3. TRANSITION DETAIL IS SUITABLE FOR BOTH REINFORCED AND UNREINFORCED **PUMADEC SYSTEM** FIELD MEMBRANE APPLICATIONS. TOP, WEAR, AND TRAFFIC COATING NOT SHOWN FOR CLARITY. REFER TO **PUMADEC SYSTEM** DETAILS FOR FURTHER CLARITY.
4. PREPARE AND PRIME VERTICAL SUBSTRATES A MINIMUM 2" BEYOND **PUMADEC SYSTEM** APPLICATION IN ACCORDANCE WITH HENRY **PUMADEC SYSTEM** SUBSTRATE PREPARATION GUIDELINES.
5. HENRY OFFERS PAVERS, RIGID INSULATION, AND/OR PREFABRICATED DRAINAGE COMPOSITES AS A SINGLE SOURCE WARRANTY OPTION PER PROJECT SPECIFIC REQUIREMENTS. CONTACT HENRY FOR SYSTEM CONFIGURATIONS AND WARRANTY OPTIONS.
6. REFER TO PRODUCT SPECIFIC GUIDE SPECIFICATION FOR RECOMMENDED INSTALLATION PROCEDURES.

Henry[®]

999 N. Pacific Coast Highway, Suite 800
 El Segundo, CA 90245
 800-486-1278 • www.henry.com

MANUFACTURER GUIDE DETAILS ARE FOR REFERENCE ONLY. HENRY DOES NOT ASSUME RESPONSIBILITY FOR ERRORS OR DEVIATIONS IN DESIGN OR ENGINEERING. PROJECT SPECIFIC VERIFICATION IS RECOMMENDED PRIOR TO INSTALLATION.

PUMADEC SYSTEM TIE-IN TO BLUESKIN WP200

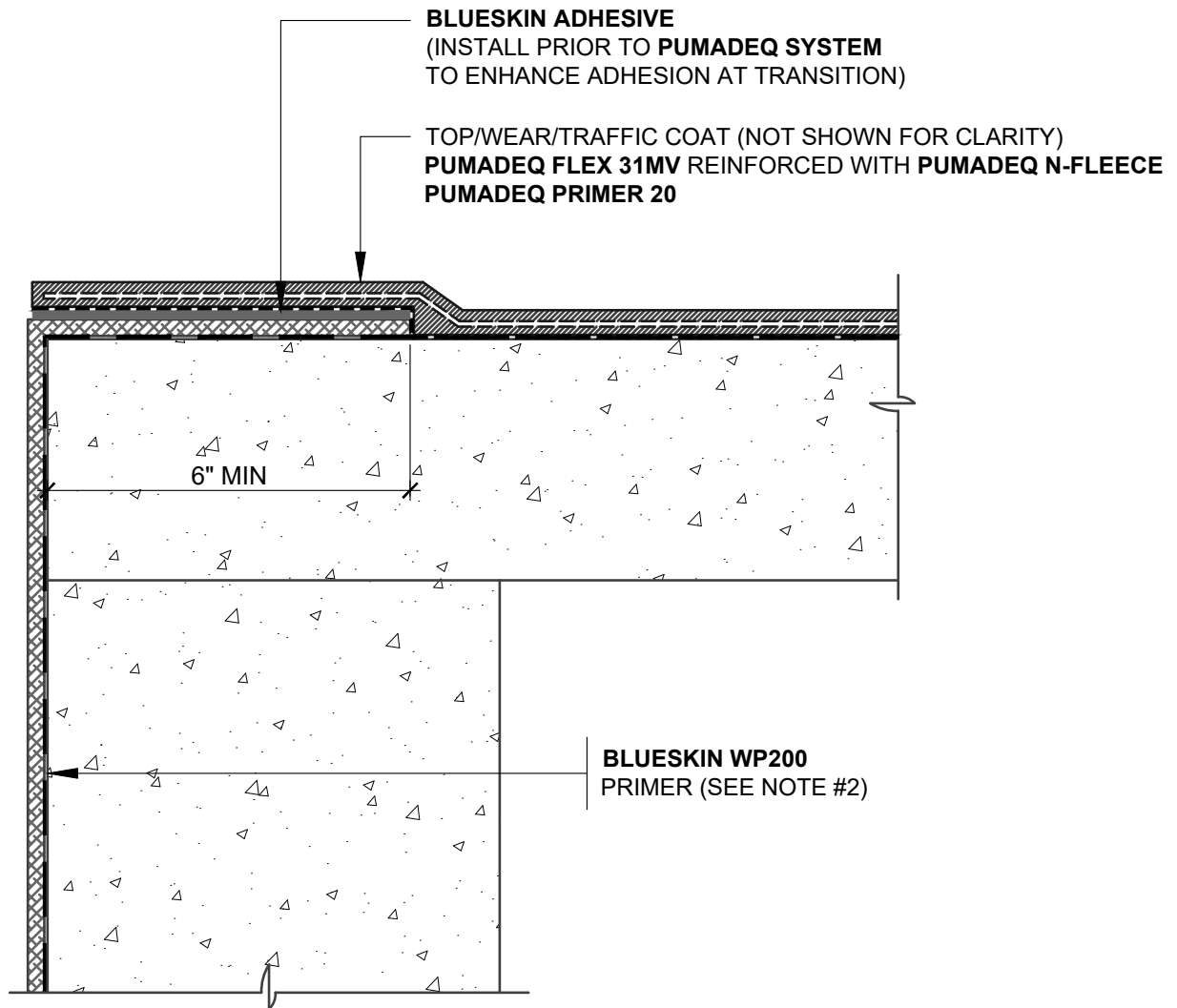
TIE-IN DETAIL

**PUMADEC SYSTEM AND BLUESKIN WP200
 CORNER FLASHING AT DOWNTURN**

SCALE: N.T.S.

07-08-2019

PMDQ-TID-A3C



NOTES:

1. DETAIL SHOWS HENRY **BLUESKIN WP200** SELF-ADHERED WATERPROOFING TRANSITION WITH HENRY **PUMADEV SYSTEM**. SUBSTRATE SHOWN IS FOR REFERENCE ONLY. REFER TO PRODUCT SPECIFIC TECHNICAL DATA SHEET FOR AUTHORIZED SUBSTRATES.
2. REFER TO THE **BLUESKIN WP200** TECHNICAL DATA SHEET FOR PRIMER RECOMMENDATIONS.
3. TRANSITION DETAIL IS SUITABLE FOR BOTH REINFORCED AND UNREINFORCED **PUMADEV SYSTEM** FIELD MEMBRANE APPLICATIONS. TOP, WEAR, AND TRAFFIC COATING NOT SHOWN FOR CLARITY. REFER TO **PUMADEV SYSTEM** DETAILS FOR FURTHER CLARITY.
4. PREPARE AND PRIME VERTICAL SUBSTRATES A MINIMUM 2" BEYOND **PUMADEV SYSTEM** APPLICATION IN ACCORDANCE WITH HENRY **PUMADEV SYSTEM** SUBSTRATE PREPARATION GUIDELINES.
5. HENRY OFFERS PAVERS, RIGID INSULATION, AND/OR PREFABRICATED DRAINAGE COMPOSITES AS A SINGLE SOURCE WARRANTY OPTION PER PROJECT SPECIFIC REQUIREMENTS. CONTACT HENRY FOR SYSTEM CONFIGURATIONS AND WARRANTY OPTIONS.
6. REFER TO PRODUCT SPECIFIC GUIDE SPECIFICATION FOR RECOMMENDED INSTALLATION PROCEDURES.

Henry[®]

999 N. Pacific Coast Highway, Suite 800
 El Segundo, CA 90245
 800-486-1278 • www.henry.com

MANUFACTURER GUIDE DETAILS ARE FOR REFERENCE ONLY. HENRY DOES NOT ASSUME RESPONSIBILITY FOR ERRORS OR DEVIATIONS IN DESIGN OR ENGINEERING. PROJECT SPECIFIC VERIFICATION IS RECOMMENDED PRIOR TO INSTALLATION.

PUMADEV SYSTEM TIE-IN TO BLUESKIN WP200

TIE-IN DETAIL

**PUMADEV SYSTEM AND BLUESKIN WP200
 CORNER FLASHING AT DOWNTURN**

SCALE: N.T.S.

07-08-2019

PMDQ-TID-A3D

Warranty #: SAMPLE
Issued:
Expiration:

**HENRY COMPANY ("HENRY")
5 YEAR EXTENDED MATERIAL WARRANTY
BLUESKIN® WP200 ("PRODUCT")**

Building Name:
Building Location:
Building OWNER: ("OWNER")
Date Product(s) Installation Completed:
Contractor:
Square Footage:

What This Limited Warranty Covers:

Commencing with the date of completion of installation of the Product(s) and continuing for the duration of this Warranty, if manufacturing defects in the Product(s) cause the Product(s) to not perform in conformance with the Product(s) label or tech data sheet, as published on www.henry.com at time of warranty issuance, or for its intended application, then HENRY at its sole option will, subject to the following section (What This Warranty Does Not Cover), either (1) refund OWNER's original purchase price for the Product(s) prorated by the unused portion of the warranty term; or (2) provide the amount of Product(s) necessary to make repairs. Under option (1), during the first year after installation of the Product(s), HENRY will refund OWNER's purchase price for the Product(s), exclusive of installation cost and minus any proration and costs previously incurred by HENRY for the replacement of Product(s) under this Warranty. After the first year, the purchase price to be refunded will be prorated by the remaining number of years of the Warranty term, minus any cost previously incurred by HENRY for the replacement of Product(s) under this Warranty.

Decisions as to the extent of repair or replacement required will be made solely by HENRY. The opinion of HENRY with respect to this matter shall be final. The remedy under this Warranty is available only for that portion of the Product(s) exhibiting defects at the time of the warranty claim. The replacement Product(s) as well as any remaining original Product(s) will be warranted only for the original warranty period. This limited warranty applies only to Product(s) used for an application specified by HENRY for the Product(s) and applied in strict accordance with HENRY published specifications, as published on www.henry.com in effect at the time of application. IF PRODUCT(S) IS USED FOR OTHER THAN A HENRY SPECIFIED APPLICATION, MISUSED OR ABUSED, IT IS SOLD AS IS AND WITHOUT ANY EXPRESS OR IMPLIED WARRANTIES, INCLUDING OF MERCHANTABILITY OR FITNESS FOR A PARTICULAR PURPOSE.

What This Warranty Does Not Cover:

This Warranty warrants that the Product(s) will be free from manufacturing defects which affect the ability of the Product(s) to perform in conformance with the Product(s) label or tech data sheet for its intended application during the Warranty Period; it is not a warranty that the Product(s) will never leak or age or to undertake responsibilities, liabilities or obligations other than those specifically identified in the preceding section.

The Contractor who installs the Product(s) is not a representative, agent or employee of HENRY. HENRY therefore is not bound by any representations made by the Contractor and does not warrant or guarantee the Contractor's workmanship.

HENRY is not responsible or liable for: (a) personal injury or property damage of any kind, even if arising from a breach of this Warranty, (b) damage to the building, or to other components of the building or its contents, including mold, mildew or interruption or complete disruption in the use of the building, (c) expenses associated with installation, removal, excavation, or replacement of other materials, building assemblies, mechanical equipment or scaffolding in connection with accessing, testing, repairing, removal, or replacement of the Product(s), (d) change in color or other aesthetic diminution, and (e) damage to the Product(s) attributable to one or more of the following conditions:

1. Acts of God and natural calamities (including, but without limitation, lightning, Beaufort Scale 10 or higher winds, hurricane, tornado, hail,

earthquake, flood, or other violent storm or casualty), impact of objects or damage to the Product(s) due to settlement, distortion, failure or cracking of the roof deck, walls or foundation of the building, or for any splitting, cracking, blistering, delamination or separation of the Product(s) due to defect and/or failure of underlying materials not supplied by HENRY or for damage by foot traffic.

2. Civil insurrection, war, riot, terrorism, intentional destruction or vandalism.
3. Exposure to ionized radiation, contamination by radioactivity from any nuclear source, or bird droppings, chemical, or vermin attack on the Product(s).
4. Failure to timely report leaks or to repair leaks not covered by this Warranty.
5. Leaks caused by water entering from building components adjacent to the Product(s) or moisture migration either through or around other building components such as rooftop equipment, walls, copings, pitch pans and details which do not conform with HENRY details.
6. Installations on or through the Product(s) unless done in a manner prescribed and accepted by HENRY.
7. Repairs or alterations to the Product(s) that are not authorized first in writing by HENRY.
8. Inadequate rooftop drainage or ponding lasting longer than 48 hours as defined by the National Roofing Contractors Association.
9. Normal wear and tear.

Obtaining Warranty Service:

If the Product(s) fails to perform in conformance with the Product(s) label or tech data sheet for its intended application, notify HENRY by email at warranty@henry.com, within 48 hours or within the next business day after discovery of any defect in the Product(s). The OWNER must give written notice to HENRY no later than thirty (30) days after a defect is discovered or should by reasonable diligence have been discovered. Claims under this Warranty will require proof of purchase by the OWNER. HENRY is not responsible for any claims without such proof of purchase. A purchase receipt or other proof of date of original purchase is required before warranty service is provided. Should the alleged failure or the remedy sought by the OWNER lie outside the scope of this Warranty, OWNER agrees to promptly reimburse HENRY for the cost of any investigation requested by OWNER, including remedy costs, plus a HENRY administrative fee of \$250.00.

Time for Remedy:

HENRY shall have forty-five (45) days after receipt of written notification of a Product(s) defect to initiate either of the remedies contained in this Warranty unless prevented by acts of God or events beyond HENRY's reasonable control.

Limitations and Exclusions:

TO THE EXTENT PERMITTED BY APPLICABLE LAW, HENRY DISCLAIMS ANY OTHER WARRANTY EXPRESS OR IMPLIED, THAN THAT PROVIDED FOR HEREIN. THIS WARRANTY IS IN LIEU OF AND EXCLUDES ALL OTHER WARRANTIES, GUARANTEES, CONDITIONS AND REPRESENTATIONS, EXPRESS OR IMPLIED, ORAL OR WRITTEN, STATUTORY OR OTHERWISE, INCLUDING BUT NOT LIMITED TO ANY IMPLIED CONDITIONS OR WARRANTIES AS TO THE MERCHANTABILITY OR FITNESS FOR A PARTICULAR PURPOSE OF THE HENRY PRODUCT(S). SOME STATES DO NOT ALLOW LIMITATIONS ON HOW LONG AN IMPLIED WARRANTY LASTS, SO THE

ABOVE LIMITATION MAY NOT APPLY TO YOU. HENRY DOES NOT AUTHORIZE ANY PERSON INCLUDING ITS REPRESENTATIVES, TO MAKE ANY REPRESENTATION OR TO OFFER ANY WARRANTY, CONDITION OR GUARANTY IN RESPECT OF THE PRODUCT(S) OTHER THAN THIS WARRANTY. THIS MATERIAL WARRANTY CANNOT BE MODIFIED EXCEPT IN WRITING SIGNED BY HENRY'S WARRANTY MANAGER. THIS LIMITED WARRANTY SHALL BE THE OWNER'S SOLE AND EXCLUSIVE REMEDY AGAINST HENRY AND UNDER NO CIRCUMSTANCES SHALL HENRY BE LIABLE FOR AN AMOUNT GREATER THAN THE ACTUAL PURCHASE PRICE OF THE UNIT OR FOR ANY CONSEQUENTIAL, EXEMPLARY, SPECIAL, INCIDENTAL OR OTHER DAMAGES INCLUDING, BUT NOT LIMITED TO, LOSS OF PROFITS, LOSS OF USE, OR DAMAGE TO THE BUILDING OR ITS CONTENTS OR THE ROOF DECK. INCIDENTAL, CONSEQUENTIAL AND EXEMPLARY DAMAGES SHALL NOT BE RECOVERABLE EVEN IF THE REMEDIES OR THE ACTIONS PROVIDED FOR IN THIS WARRANTY FAIL OF THEIR ESSENTIAL PURPOSE. SOME STATES DO NOT ALLOW THE EXCLUSION OR LIMITATION OF INCIDENTAL OR CONSEQUENTIAL DAMAGES, SO THE ABOVE LIMITATION OR EXCLUSION MAY NOT APPLY TO YOU. HENRY SHALL NOT BE LIABLE FOR ANY DAMAGES WHICH ARE BASED UPON NEGLIGENCE, GROSS NEGLIGENCE, BREACH OF WARRANTY, BREACH OF CONTRACT, STRICT LIABILITY OR ANY OTHER LEGAL THEORY OF LIABILITY OTHER THAN THE EXCLUSIVE LIABILITY SET FORTH IN THIS WARRANTY.

Conditions of Warranty:

HENRY's continuing liability under this Warranty is conditioned upon the following:

- a) The Product(s) was stored, handled, applied and maintained in accordance with HENRY's instructions, recommendations and specifications in effect at the time of application;
- b) The Product(s) and all components thereof have been sold by HENRY except where authorized by HENRY;
- c) HENRY and the Contractor have been paid in full for the Product(s);
- d) The Product(s) has not been altered, modified or repaired without prior written approval of HENRY;
- e) The OWNER has notified HENRY in writing of any failure of the Product(s) covered by this Warranty within thirty (30) days following such failure;

- f) There has been no misuse, abuse or negligence with respect to the Product(s) on the part of the OWNER, facility or mechanical tradesmen.

Transfer:

This Warranty is assignable conditioned upon prior written approval by HENRY. Such approval is subject to the terms, conditions and fees contained in HENRY's application for transfer of warranty.

Waiver:

HENRY's failure at any time to enforce or rely upon any of the terms or conditions stated herein shall not be construed to be a waiver of its rights hereunder.

OWNER's Agreement:

HENRY would not agree to assume the obligations contained in this Warranty in the absence of any of the limitations and exclusions contained herein. Therefore, (1) OWNER's agreement to each and every term of this Warranty is an essential condition precedent to HENRY's obligations hereunder; (2) in the absence of such agreement by the OWNER the Product(s) is sold AS IS AND WITHOUT ANY EXPRESS OR IMPLIED WARRANTIES, INCLUDING OF MERCHANTABILITY OR FITNESS FOR A PARTICULAR PURPOSE; (3) failure of any condition precedent herein shall discharge HENRY from all further obligation under this Warranty, and the disclaimer herein of any other warranties, conditions and representations shall survive; and (4) by accepting or asserting any rights hereunder, OWNER irrevocably agrees to indemnify and hold harmless HENRY, its affiliates, successors, assigns, directors, officers, employees and agents (each an "Indemnified Party") from and against all claims, expenses (including attorney's fees and expenses), losses, liabilities and damages in any way related to or arising from matters described in the section of this Warranty entitled "What This Warranty Does Not Cover," and all amounts paid in defense of the foregoing which may be imposed upon, incurred by or asserted against an Indemnified Party by any person, firm or entity.

Except as otherwise expressly provided above, this Warranty shall be governed by and construed in accordance with the laws of the State of Texas without regard to conflict of law rules.

THIS WARRANTY GIVES YOU SPECIFIC LEGAL RIGHTS, AND YOU MAY ALSO HAVE OTHER RIGHTS WHICH VARY FROM STATE TO STATE OR COUNTRY TO COUNTRY, IF OUTSIDE OF THE UNITED STATES.

HENRY COMPANY

By: _____
Name:

Date: _____

NOTE: SAMPLE WARRANTIES ARE PROVIDED CONDITIONALLY AND SHOULD NOT BE CONSTRUED OR INTERPRETED AS A REPRESENTATION OR PROMISE THAT HENRY WILL IN FACT PROVIDE SUCH A WARRANTY FOR A SPECIFIC PROJECT. HENRY WARRANTIES ARE NOT VALID OR BINDING UNLESS AND UNTIL ALL OF HENRY'S REQUIREMENTS FOR WARRANTY ISSUANCE ARE MET AND A PROJECT-SPECIFIC WARRANTY IS ISSUED. HENRY RESERVES THE RIGHT TO MODIFY THE TERMS OF ITS SAMPLE WARRANTIES FOR ANY REASON, AT ANYTIME, WITH OR WITHOUT NOTICE. FOR MORE INFORMATION ABOUT HENRY'S REQUIREMENTS, PLEASE CONTACT THE HENRY WARRANTY DEPARTMENT AT WARRANTY@HENRY.COM.

Product Certification

Henry® Blueskin® WP200 Self-Adhered Waterproofing Membrane

Blueskin WP200 is a self-adhered, rubberized asphalt membrane intended for above and below grade waterproofing applications in both vertical and horizontal orientations including plaza decks, tunnels, parking decks, and concrete/CMU foundation walls.

Blueskin WP200 waterproofing membrane resists 231 feet of hydrostatic head pressure (100 psi) as tested per ASTM D 5385.

Henry manufacturing facility responsible for manufacture of Blueskin WP200 implements full time quality control and is ISO certified.

Blueskin WP200 is fully compatible with the following commonly used accessory products when installed per Henry requirements:

- Aquatac Primer
- Blueskin Adhesive*
- Blueskin LVC Adhesive*
- Blueskin SA
- Blueskin PreSeal 435 / 320
- 925 BES Sealant
- Henry 790-11 Hot Rubberized Asphalt
- Aqua-Bloc WB & SB
- Aqua-Bloc 2P
- Pumadeq Liquid Membrane
- Henry Drain Boards

*These products are exterior use only with adequate ventilation. Not for use on solvent-sensitive substrates.

Blueskin WP200 is compatible with concrete, CMU, plywood, pressure treated and fire treated wood, cement board, exterior gypsum sheathing, masonry, stone, wood, metal, rigid insulation including ICF, EPS, XPS, and polyiso when used with appropriate Henry primer.

Blueskin WP200 contains no solvents and is VOC compliant in all jurisdictions.

Blueskin WP200 does not contain lead, PBDE or PCBs.

Physical properties and application instructions are available on Henry technical data sheets viewable at www.henry.com. or upon request.

LEED INFORMATION

PRODUCT: Blueskin WP200

MR - CREDIT 4.x- RECYCLED CONTENT
RECYCLED CONTENT (POST-CONSUMER): 0%

RECYCLED CONTENT (POST-INDUSTRIAL): 0%

MR - CREDIT 5.x- REGIONAL MATERIALS

EXTRACTION SITE: **Raw materials are sourced to Henry from various North American sources and extraction site of raw materials may vary without notice. As a result, the extraction site of materials used to manufacture this product is undetermined.**

MANUFACTURING SITE: **Petrolia, Ontario, Canada, N0N1R0**

MR- CREDIT 6 AND 7 – RAPIDLY RENEWABLE MATERIALS AND CERTIFIED WOOD

This product does not contain rapidly renewable materials or certified wood.

* IEQ- CREDIT 4.1 – ADHESIVES AND SEALANTS

Product not applicable to this credit.

IEQ- CREDIT 4.2 – PAINTS AND COATINGS

Product not applicable to this credit.

VOC Content: 0 g/L